



(12) **United States Design Patent**
Lopez

(10) **Patent No.:** **US D943,860 S**
(45) **Date of Patent:** **** *Feb. 15, 2022**

- (54) **MEDITATION CUBE**
- (71) Applicant: **Jose E. Lopez**, Sunnyvale, CA (US)
- (72) Inventor: **Jose E. Lopez**, Sunnyvale, CA (US)
- (*) Notice: This patent is subject to a terminal disclaimer.
- (**) Term: **15 Years**
- (21) Appl. No.: **29/663,740**
- (22) Filed: **Sep. 18, 2018**
- (51) **LOC (13) Cl.** **11-02**
- (52) **U.S. Cl.**
USPC **D99/25**; D21/373; D21/468; D21/499
- (58) **Field of Classification Search**
USPC D21/300, 324, 331, 333, 336, 337, 369, D21/371, 372, 373, 385, 386, 398, 405, D21/409, 411, 455, 468, 470, 471, 475, D21/476, 478, 499, 684, 707-714; D30/160; D19/136, 137, 59, 62, 96, 97; D11/2, 48, 75, 76, 79-81, 121, 124, 125, D11/131, 157; D99/25, 28, 34, 37, 99; D9/600, 652, 667, 560; 273/288-291, 273/146; 434/128, 259, 393, 403; 446/76, 117, 118, 124, 491
CPC A63F 9/04; A63F 9/0413; A63F 9/0415; A63F 9/0666; A63F 2009/0003; A63F 2009/0007; A63F 2009/0484; A63F 2009/0486; A63F 2009/0493; A63F 2250/025; A63F 2250/48; A63F 2250/481; A63F 2250/482; A63F 2250/484; A63F 2003/0081; A63F 2003/00813; A63F 2003/00883; A63F 9/08; A63F 9/0826; A63H 33/00; A63H 33/33
See application file for complete search history.

- 3,577,671 A * 5/1971 Woollett A63H 33/086 446/124
- 4,149,717 A * 4/1979 Seijiro A63F 9/12 273/157 R
- 4,541,634 A * 9/1985 Nolan A63F 3/00 273/271
- D290,227 S * 6/1987 Zutler D9/423
- 4,698,023 A * 10/1987 Marino G09B 1/36 434/259
- D296,451 S * 6/1988 Ming D21/470
- 5,249,808 A * 10/1993 Batte A63F 3/00006 273/146
- 5,520,395 A * 5/1996 Mondello, Jr. A63F 9/0611 273/157 R
- 6,353,168 B1 * 3/2002 Sosoka, Jr. G10H 1/0008 446/397

(Continued)

FOREIGN PATENT DOCUMENTS

- CA 2458847 A1 * 3/2003 A63F 3/00075
- DE 102013016153 B3 * 1/2015 A63F 9/0842

Primary Examiner — Catherine A Tuttle

(57) **CLAIM**

The ornamental design for a meditation cube, as shown and described.

DESCRIPTION

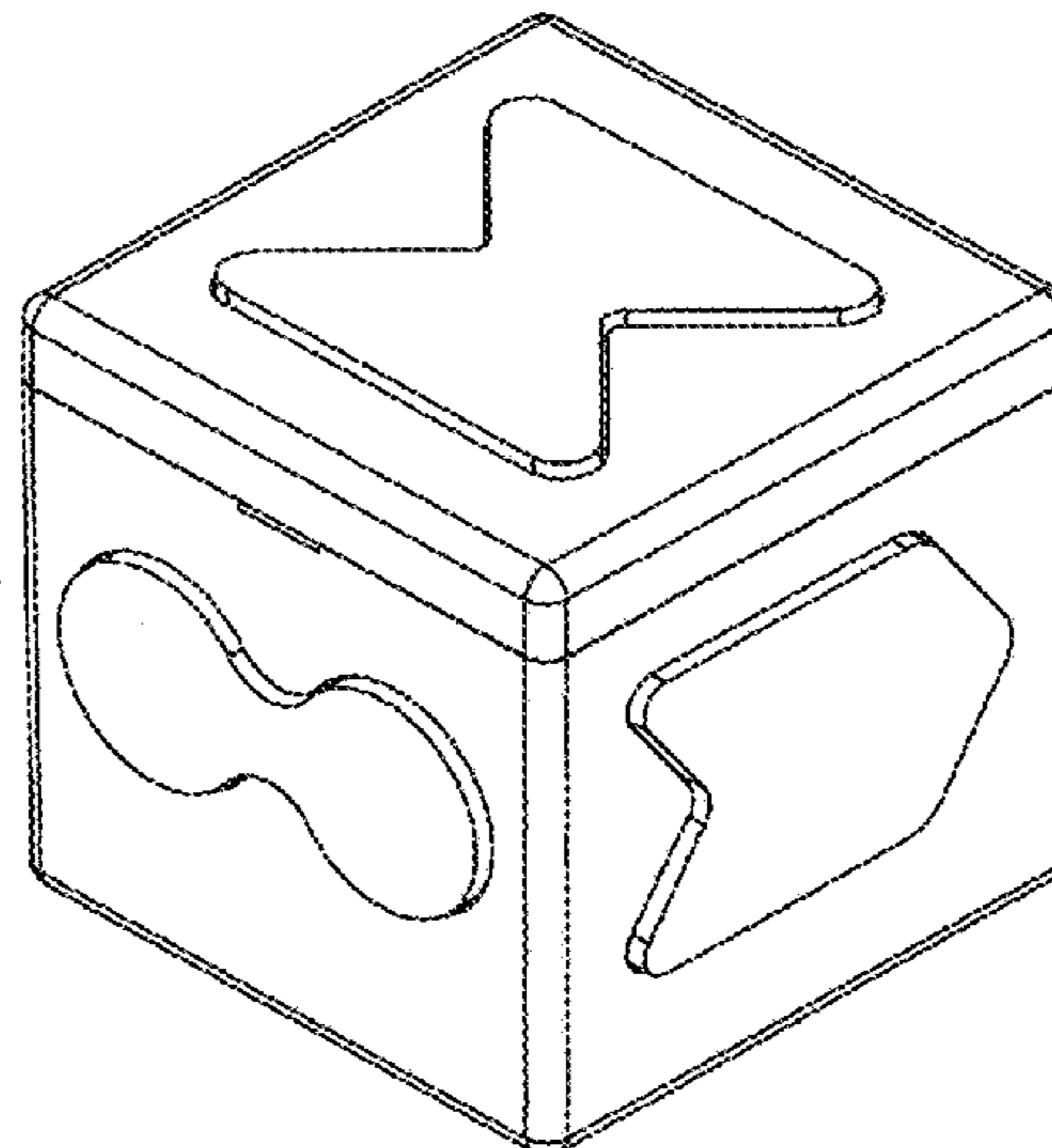
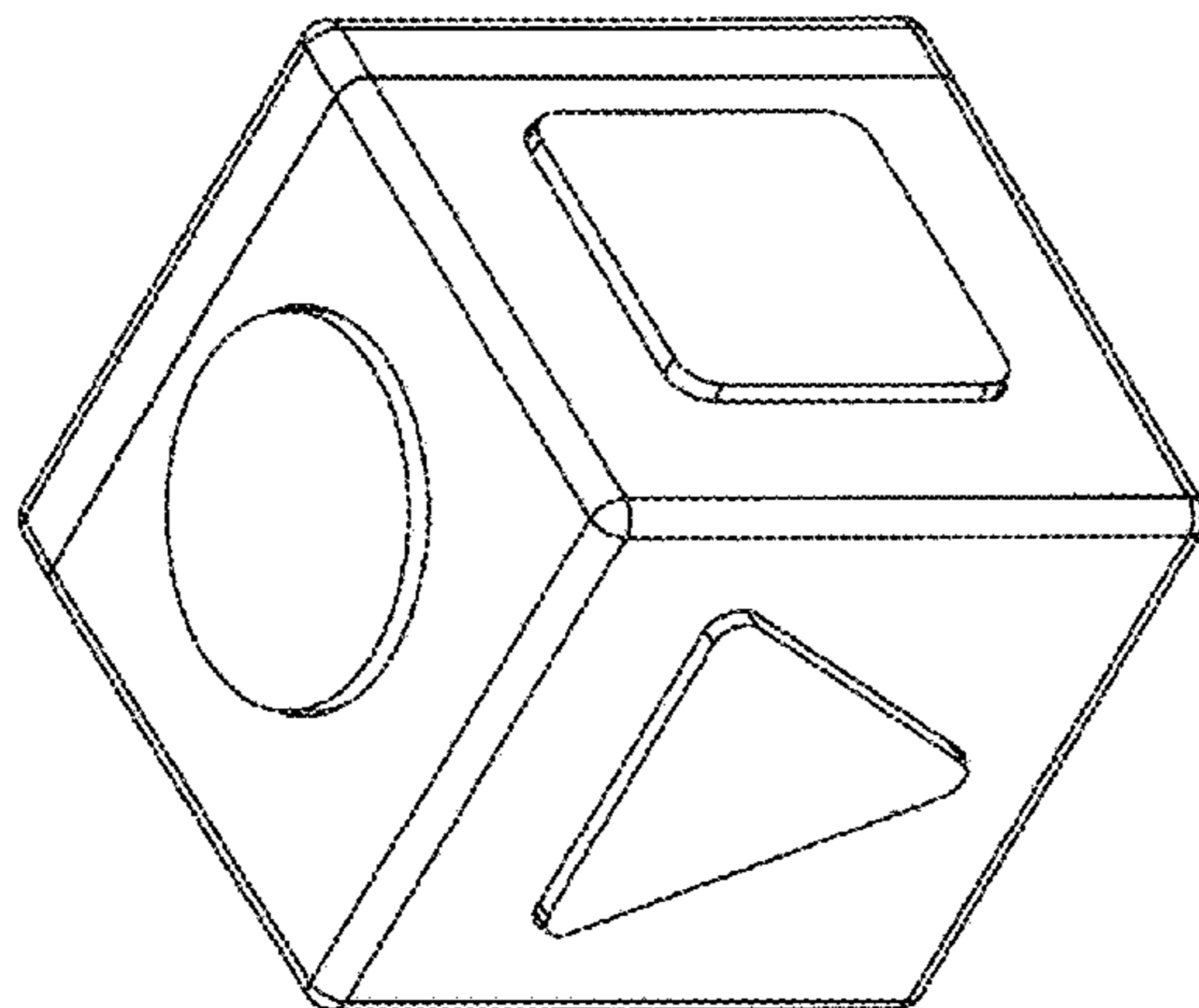
FIG. 1 is a front, bottom and left perspective view of the meditation cube showing my new design;
 FIG. 2 is a top, right and back perspective view thereof;
 FIG. 3 is a bottom view thereof;
 FIG. 4 is a front view thereof;
 FIG. 5 is a left view thereof (when a square)
 FIG. 6 is a right view thereof;
 FIG. 7 is a top view thereof; and,
 FIG. 8 is a back view thereof.

1 Claim, 8 Drawing Sheets

(56) **References Cited**

U.S. PATENT DOCUMENTS

- 1,465,637 A * 8/1923 Goss A63H 33/04 434/403
- 2,994,967 A * 8/1961 Klamer A63H 33/04 434/259



(56)

References Cited

U.S. PATENT DOCUMENTS

D489,418 S * 5/2004 Helton, Sr. D21/373
D490,616 S * 6/2004 Ljahnicky D6/329
7,000,918 B1 * 2/2006 Tan A63F 9/00
273/146
D754,263 S * 4/2016 Wolff D21/499
D837,306 S * 1/2019 Patison D21/499
D870,822 S * 12/2019 Lyons D21/499
2003/0038423 A1 * 2/2003 Turner A63F 9/0666
273/157 R
2012/0200038 A1 * 8/2012 Pollock A63F 3/02
273/260
2013/0137919 A1 * 5/2013 Pepin A61N 2/06
600/28

* cited by examiner

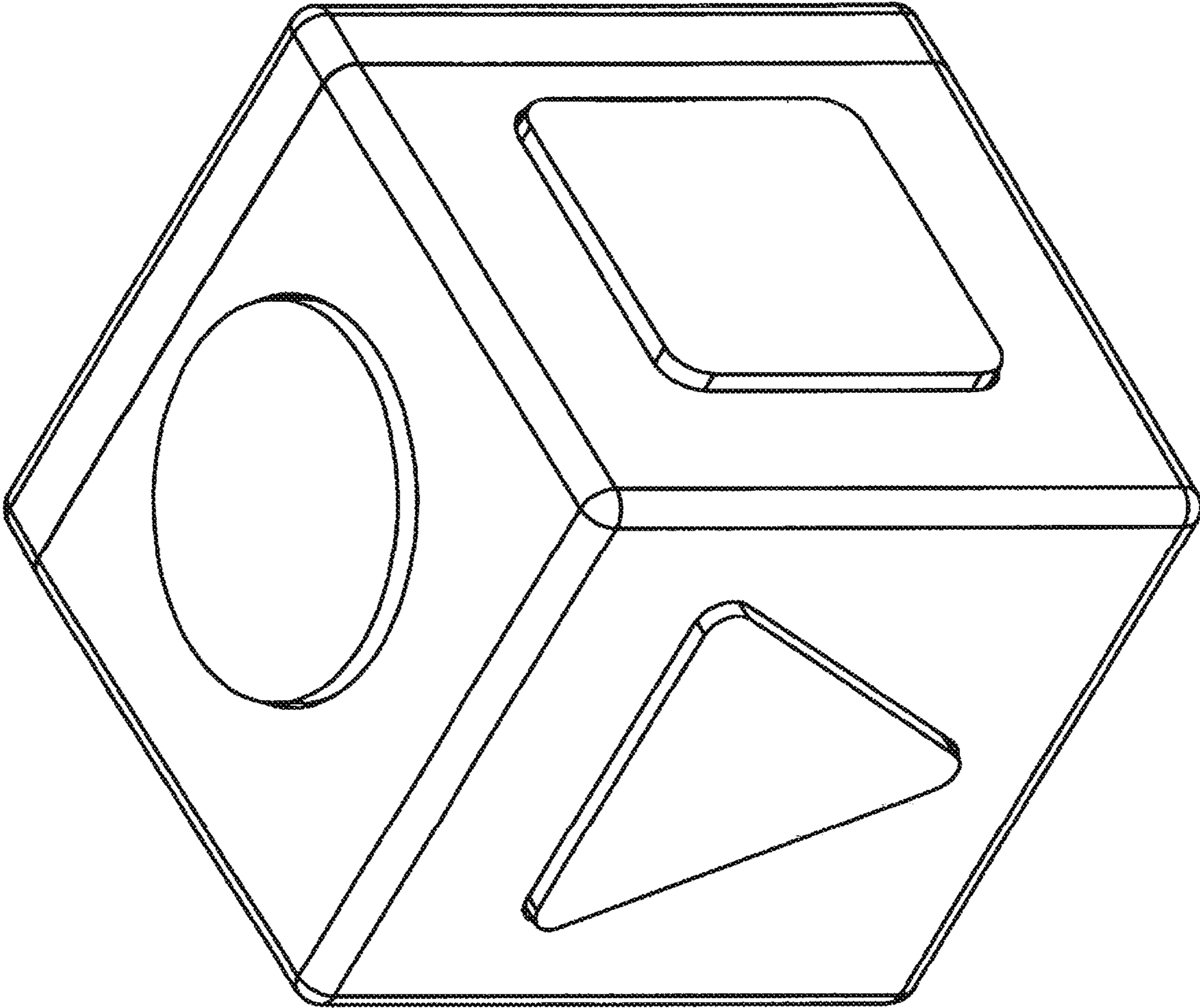


Figure 1

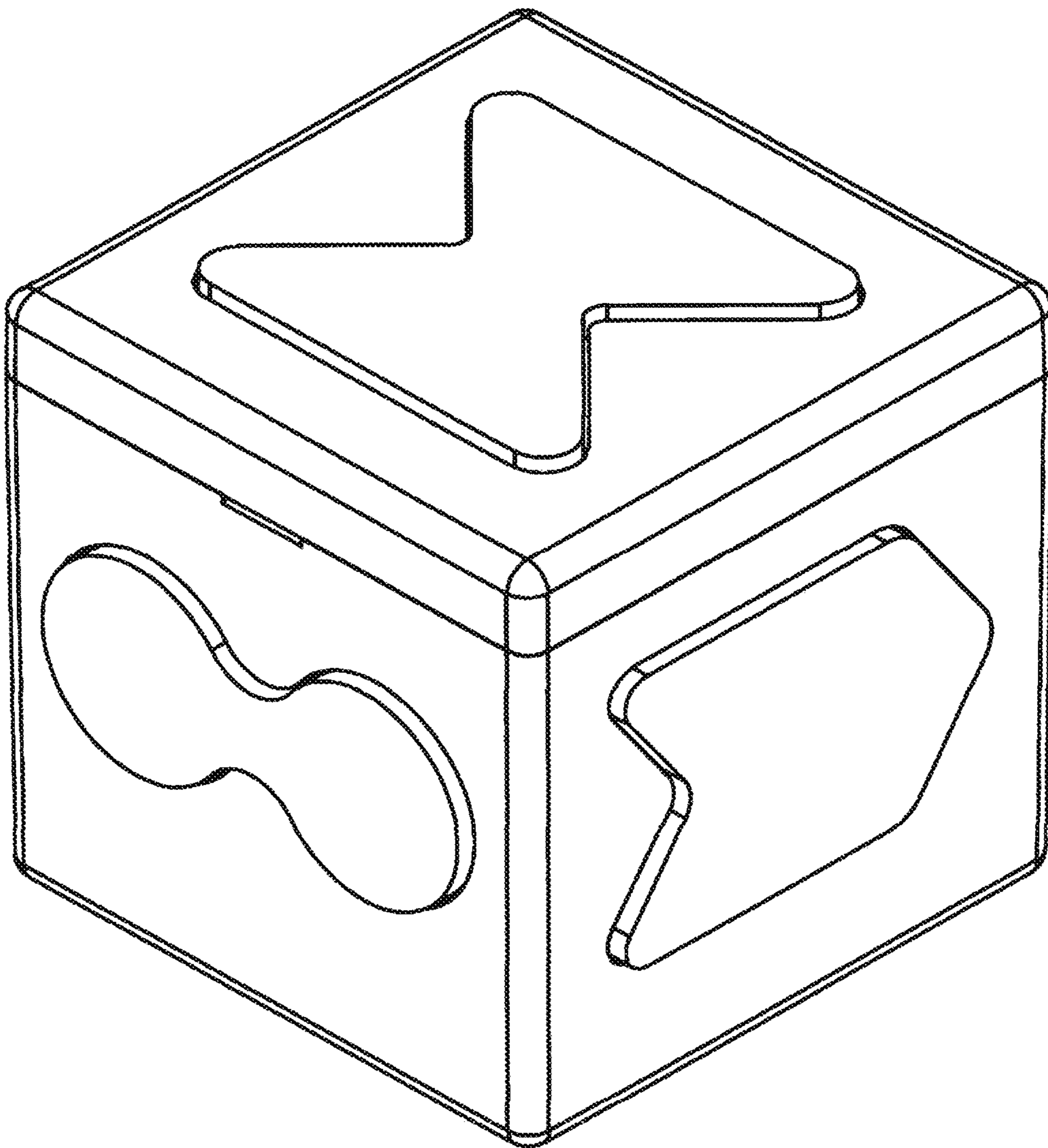


Figure 2

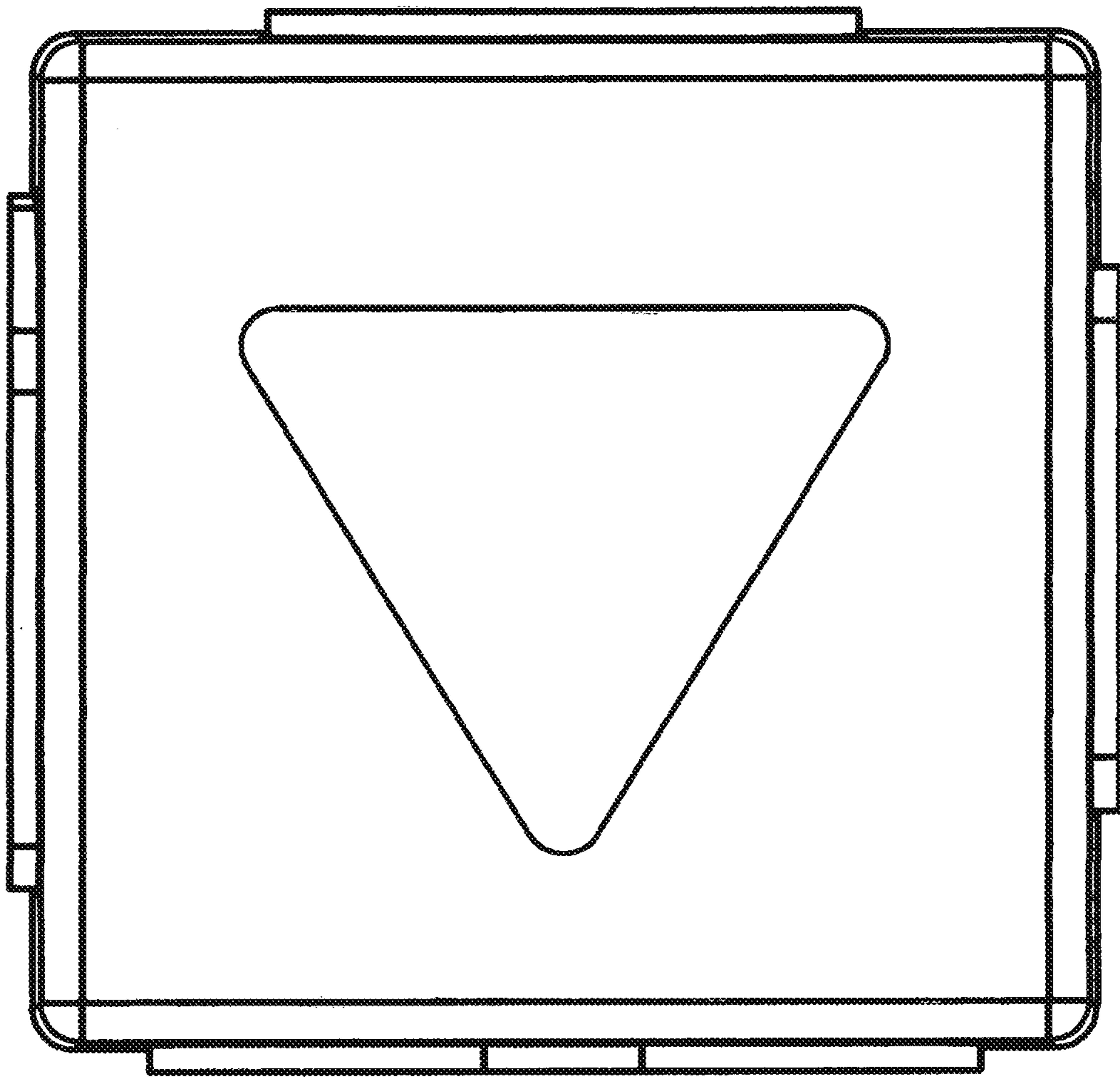


Figure 3

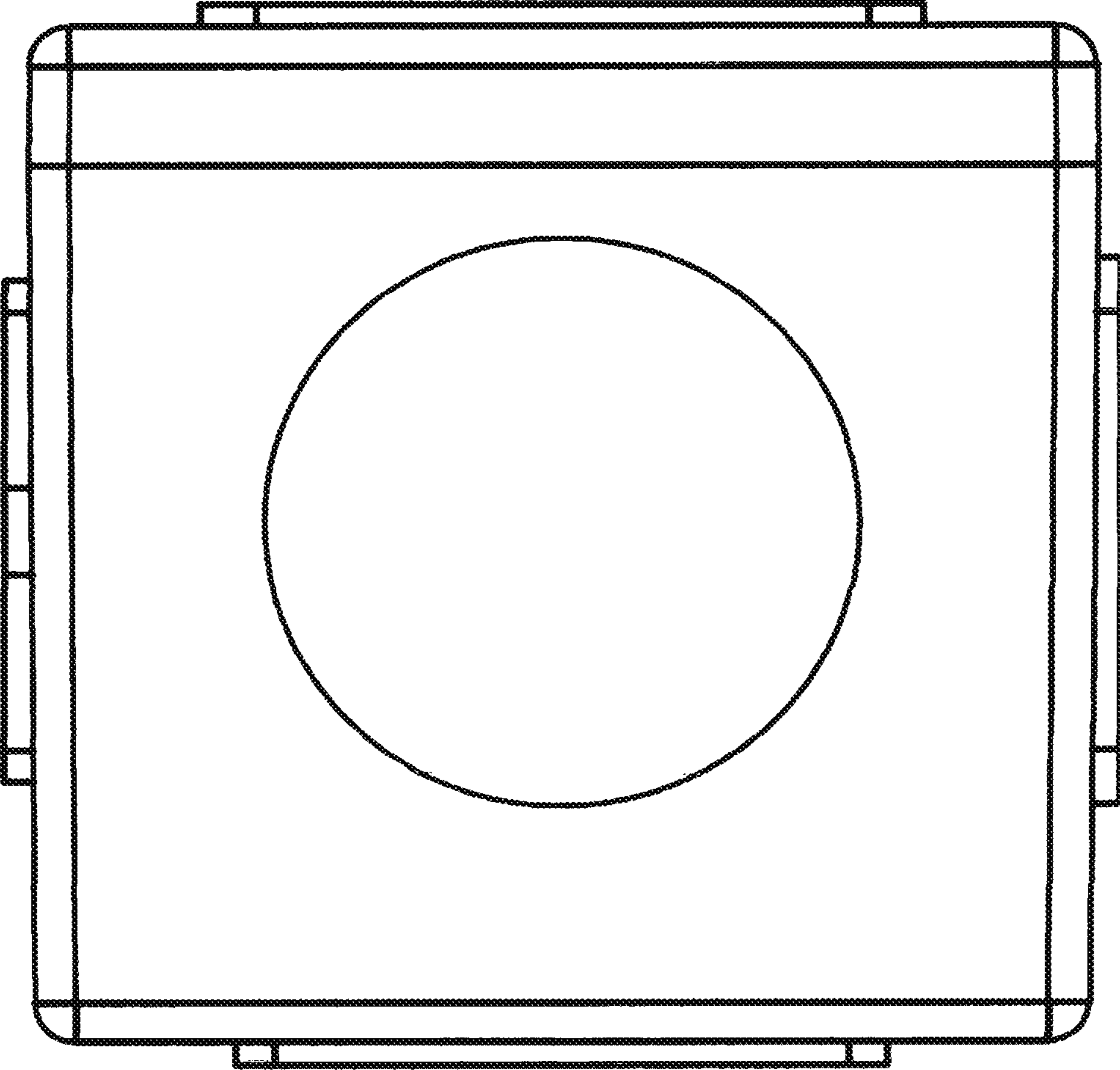


Figure 4

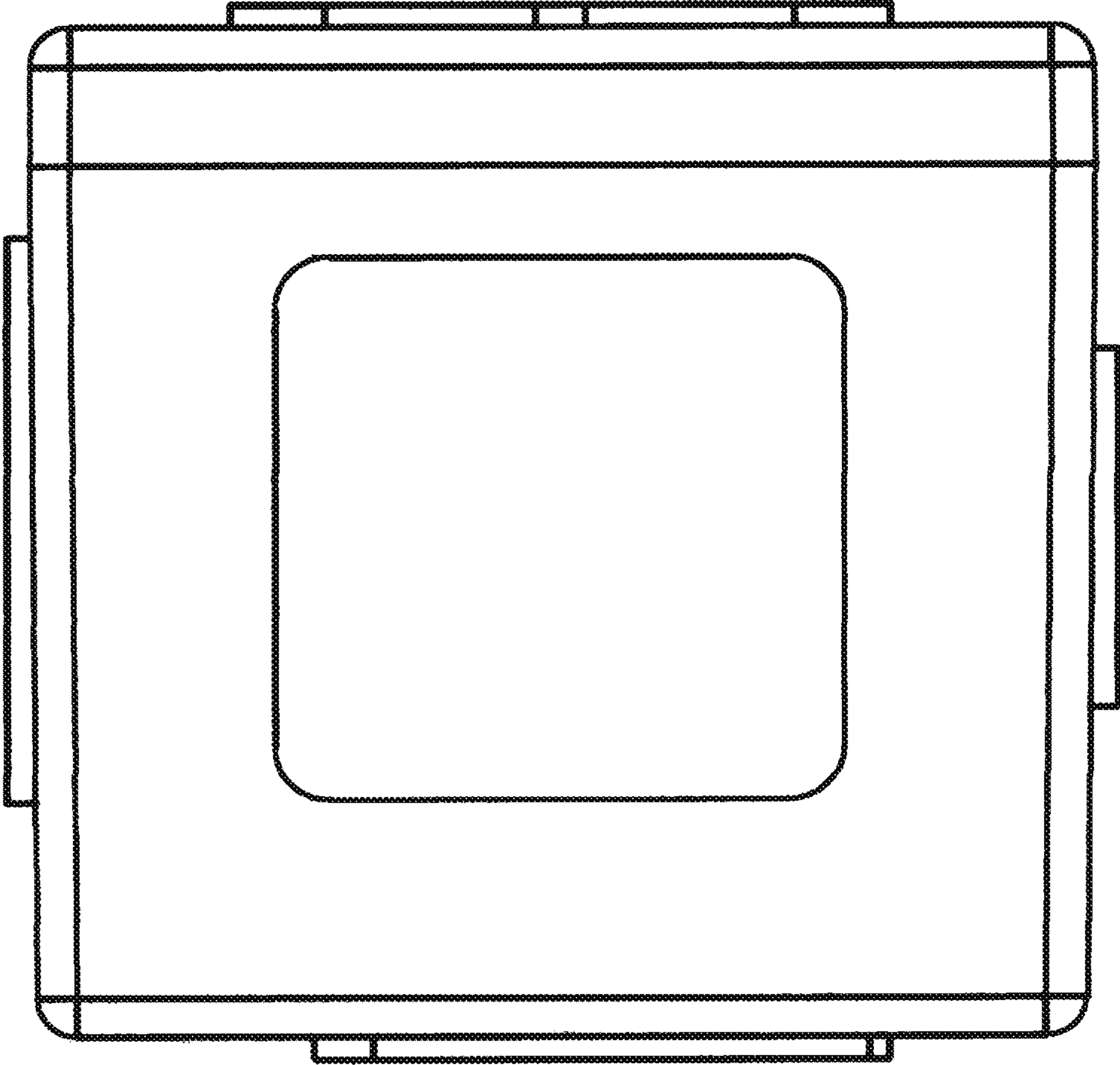


Figure 5

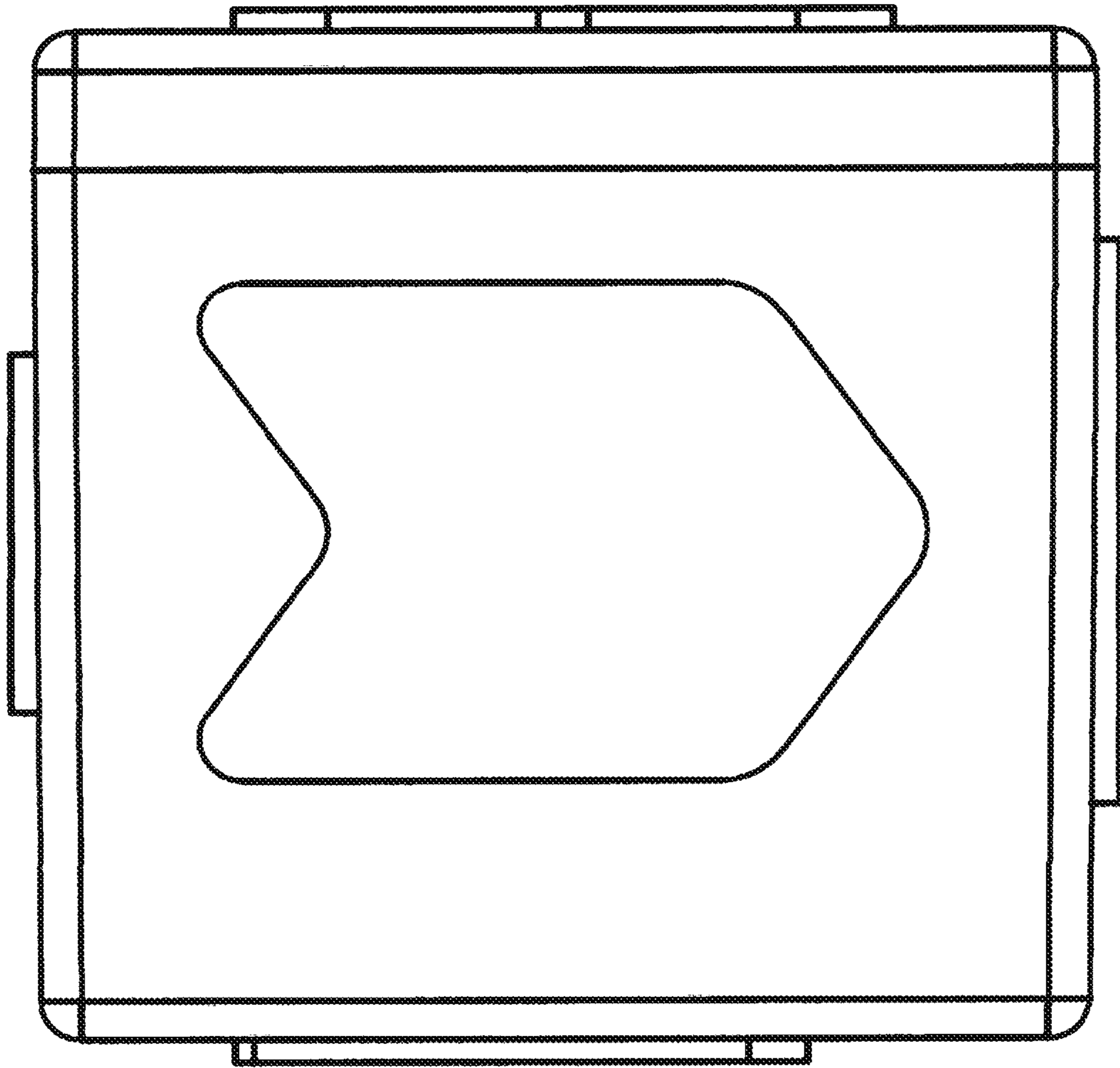


Figure 6

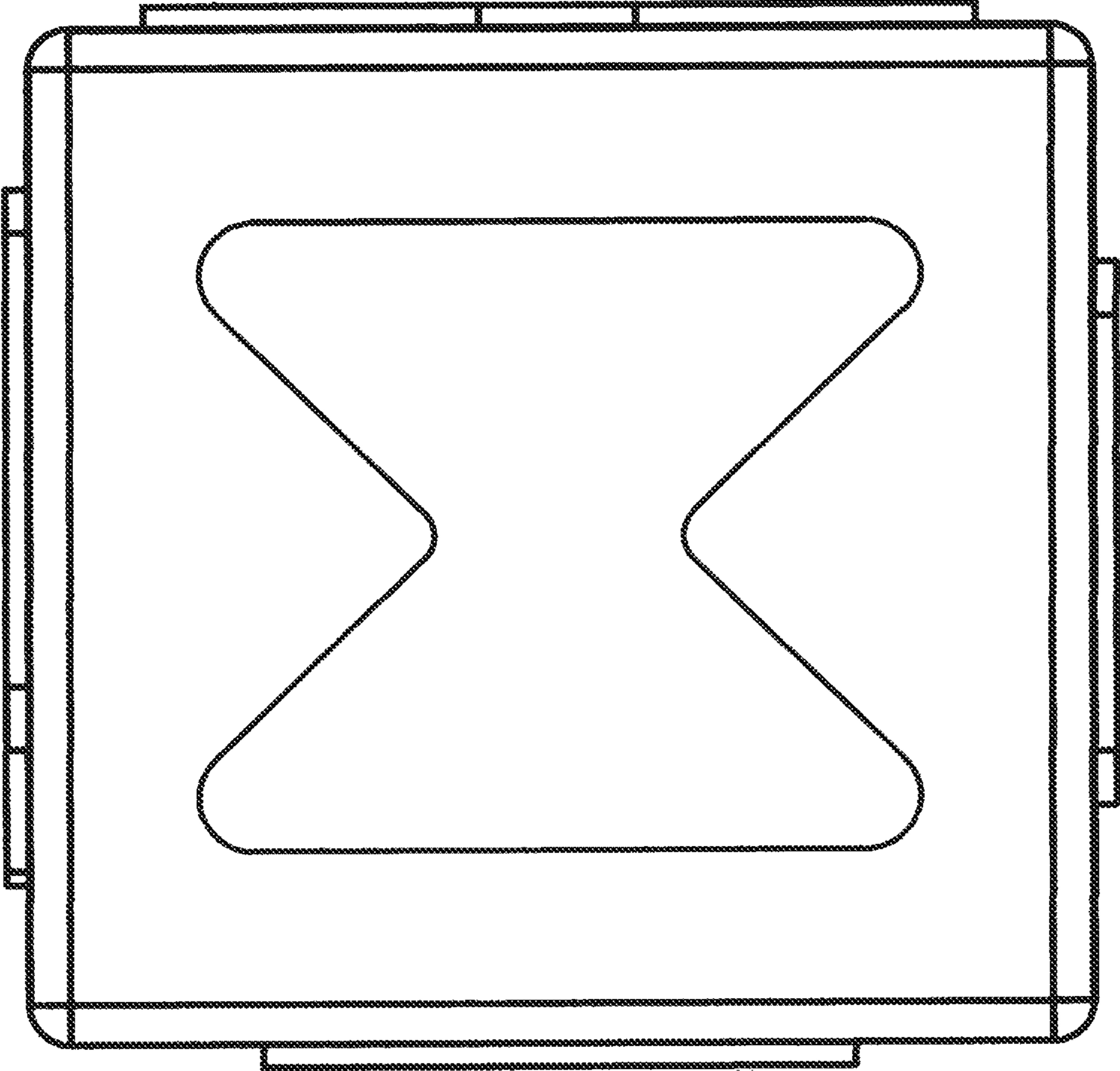


Figure 7

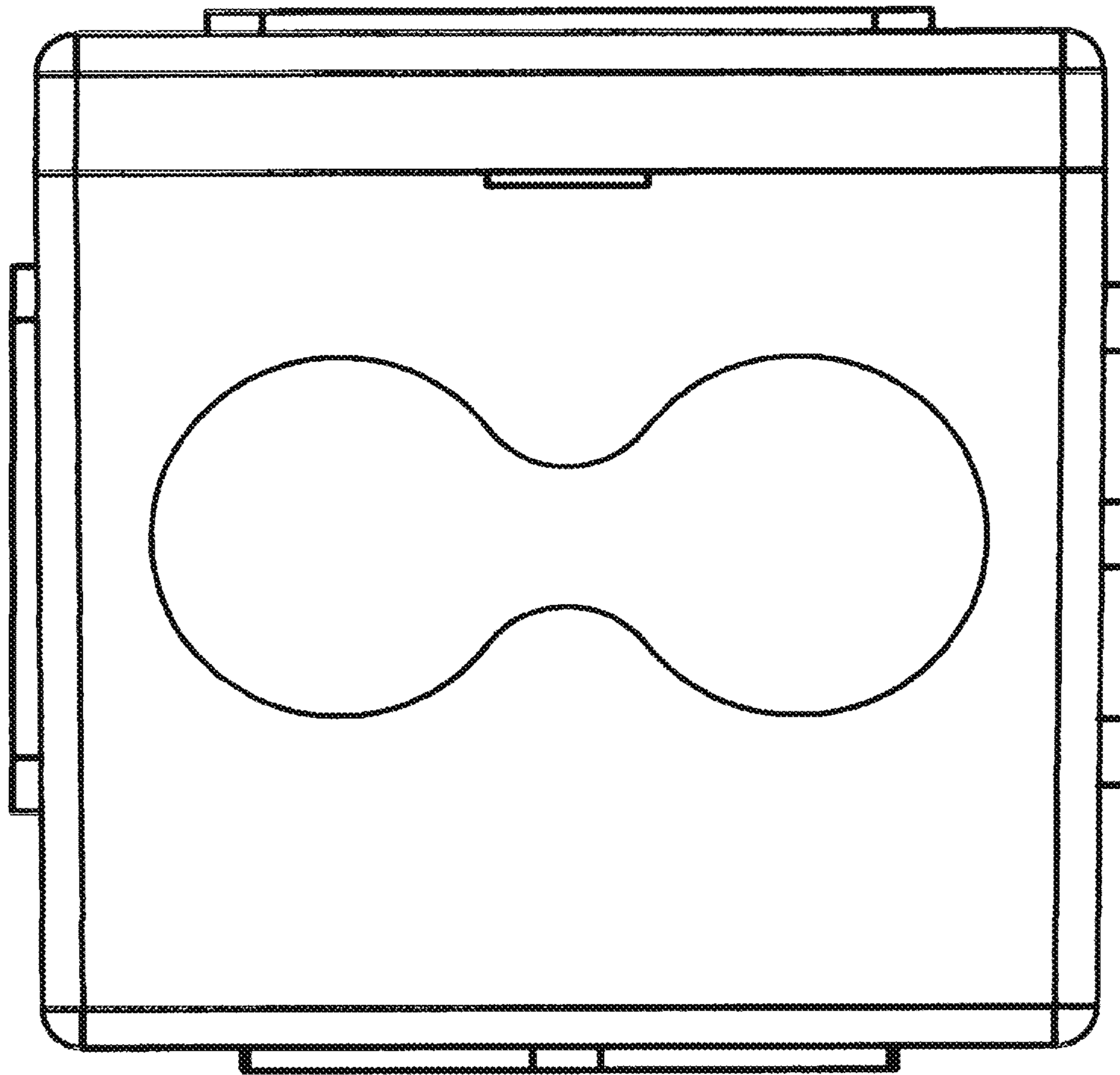


Figure 8