



US00D943859S

(12) **United States Design Patent**
Granger Duits

(10) **Patent No.:** **US D943,859 S**

(45) **Date of Patent:** **** Feb. 15, 2022**

(54) **CREMATORY URN**
(71) Applicant: **FUNERAL PRODUCTS B.V.**,
Eindhoven (NL)
(72) Inventor: **Giselle Granger Duits**, Eindhoven
(NL)
(73) Assignee: **FUNERAL PRODUCTS B.V.**
(**) Term: **15 Years**
(21) Appl. No.: **29/750,552**
(22) Filed: **Sep. 15, 2020**

(30) **Foreign Application Priority Data**
Apr. 1, 2020 (EP) 007783675-0001
(51) **LOC (13) Cl.** **99-00**
(52) **U.S. Cl.**
USPC **D99/5**
(58) **Field of Classification Search**
USPC D99/5, 8; 27/1, 2; D9/545, 548, 565,
D9/540, 504; D7/540, 615, 511, 513;
D11/152, 153, 154; 206/508, 776, 568,
206/216; 220/288, 8, 521, 506;
211/85.27; D26/6, 7, 11; 362/161;
431/288, 291, 126; 229/120.32, 125.17
CPC A61G 17/00; A61G 17/08; B65D 21/02;
B65D 51/28; B65D 41/00; B65D 1/36;
F21L 19/00
See application file for complete search history.

(56) **References Cited**
U.S. PATENT DOCUMENTS
1,259,921 A * 3/1918 Sgueglia F21V 35/00
431/291
2,060,324 A * 11/1936 Knapp F21V 37/0095
362/161

2,072,630 A * 3/1937 Ferry B65D 51/28
215/12.1
2,137,701 A * 11/1938 Replogle F21S 13/12
431/291
2,138,188 A * 11/1938 Morley A01G 9/02
47/29.2
2,211,326 A * 8/1940 Gillice B65D 25/04
220/8
2,235,617 A * 3/1941 Klinzing A61G 17/08
220/288
2,276,678 A * 3/1942 Wheeler B65D 51/28
229/125.17
2,288,044 A * 6/1942 Stemme A47G 19/2288
215/12.1
2,323,804 A * 7/1943 Driscoll C11C 5/002
43/125

(Continued)

Primary Examiner — Paula Allen Greene
(74) *Attorney, Agent, or Firm* — Fresh IP PLC; Clifford
D. Hyra; Aubrey Y. Chen

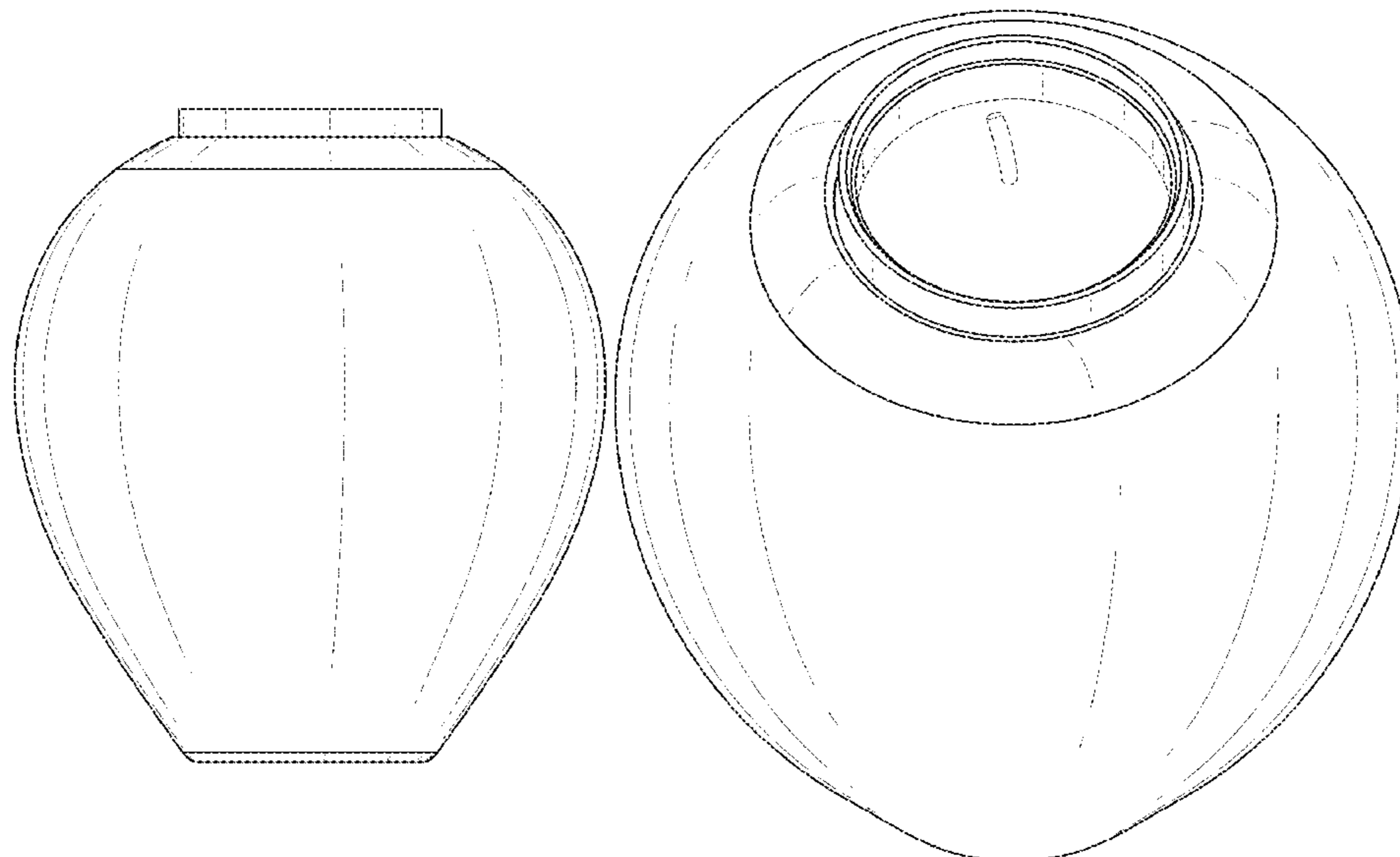
(57) **CLAIM**

The ornamental design for a crematory urn, as shown and described.

DESCRIPTION

FIG. 1 is a perspective view of a crematory urn showing the new design;
FIG. 2 is a front view thereof;
FIG. 3 is a top view thereof;
FIG. 4 is a bottom view thereof;
FIG. 5 is a top perspective view thereof;
FIG. 6 is a top perspective view of a second embodiment of a crematory urn, the only difference being the unclaimed broken lines; and,
FIG. 7 is a top view of FIG. 6.
The broken lines to the candle in the crematory urn in FIGS. 6 and 7 represent the bounds of the claimed design while the broken lines to the candle wick in FIGS. 6 and 7 represent environment that forms no part of the claimed design.

1 Claim, 7 Drawing Sheets



(56)

References Cited

U.S. PATENT DOCUMENTS

2,721,552 A * 10/1955 Nosik F42B 3/00
206/222
2,827,194 A * 3/1958 Matton B65D 41/26
215/227
2,938,518 A * 5/1960 Horrocks B65D 51/24
604/403
3,051,303 A * 8/1962 Daanen A47G 19/26
206/776
3,163,544 A * 12/1964 Vazyi B65D 25/16
426/112
3,182,890 A * 5/1965 Elam B65D 3/264
426/120
D205,300 S * 7/1966 Douglas D26/11
3,327,108 A * 6/1967 Press F21L 19/00
362/161
3,385,503 A * 5/1968 Paul B65D 81/3216
229/120.32
3,434,789 A * 3/1969 Gilbert F21V 37/0095
431/126
3,744,957 A * 7/1973 Wright, Sr. C11C 5/008
431/126
D256,831 S * 9/1980 Kaneko D22/112
4,544,351 A * 10/1985 Marsicano F21V 35/00
206/588
4,584,848 A * 4/1986 Barnett F25D 3/107
220/506
4,601,403 A * 7/1986 Pollitz B65D 51/24
215/228
D287,821 S * 1/1987 Holewinski D9/414
D287,885 S * 1/1987 Bolduc D11/152
4,894,008 A * 1/1990 Lee F21V 35/00
431/290
5,029,373 A * 7/1991 Raymond A61G 17/08
27/1
D345,848 S * 4/1994 May D11/152
5,379,499 A * 1/1995 Jackson A61G 17/007
27/1
D356,422 S * 3/1995 Parker D99/5

D360,732 S * 7/1995 Parker D99/5
5,662,241 A * 9/1997 Sorensen B65D 23/001
220/630
5,832,575 A * 11/1998 Sturino A61G 17/08
27/1
5,879,151 A * 3/1999 Schultz F21V 17/007
431/291
5,952,028 A * 9/1999 Lesser A47J 31/005
426/433
D438,685 S * 3/2001 Robinson D99/5
D454,242 S * 3/2002 Dziekonski D99/5
6,554,447 B1 * 4/2003 Kotary F21S 6/001
362/161
D479,242 S * 9/2003 Kurachi D14/483
D479,381 S * 9/2003 Robinson D99/5
D479,639 S * 9/2003 Robinson D99/5
D479,640 S * 9/2003 Robinson D99/5
D479,641 S * 9/2003 Robinson D99/5
D479,900 S * 9/2003 Robinson D99/5
D539,091 S * 3/2007 Mansfield D7/509
D590,078 S * 4/2009 Horezniak D26/6
D614,825 S * 4/2010 Biegel D99/5
D621,571 S * 8/2010 Cox D99/5
D640,035 S * 6/2011 Biegel D99/5
D640,396 S * 6/2011 Melnyk D26/6
D653,011 S * 1/2012 Myers D99/5
D667,604 S * 9/2012 Khan D99/5
D668,177 S * 10/2012 Friesen D11/152
D700,764 S * 3/2014 Goldstein D99/5
D703,913 S * 4/2014 Irvine A61G 17/08
D99/5
D719,714 S * 12/2014 Khan D99/5
D787,772 S * 5/2017 Bhandula D99/5
D937,530 S * 11/2021 Granger Duits D99/5
2006/0021986 A1 * 2/2006 Mansfield A47G 23/0208
220/506
2009/0077779 A1 * 3/2009 Zimmerman E04H 13/008
27/1
2021/0275377 A1 * 9/2021 Agar A61G 17/007

* cited by examiner

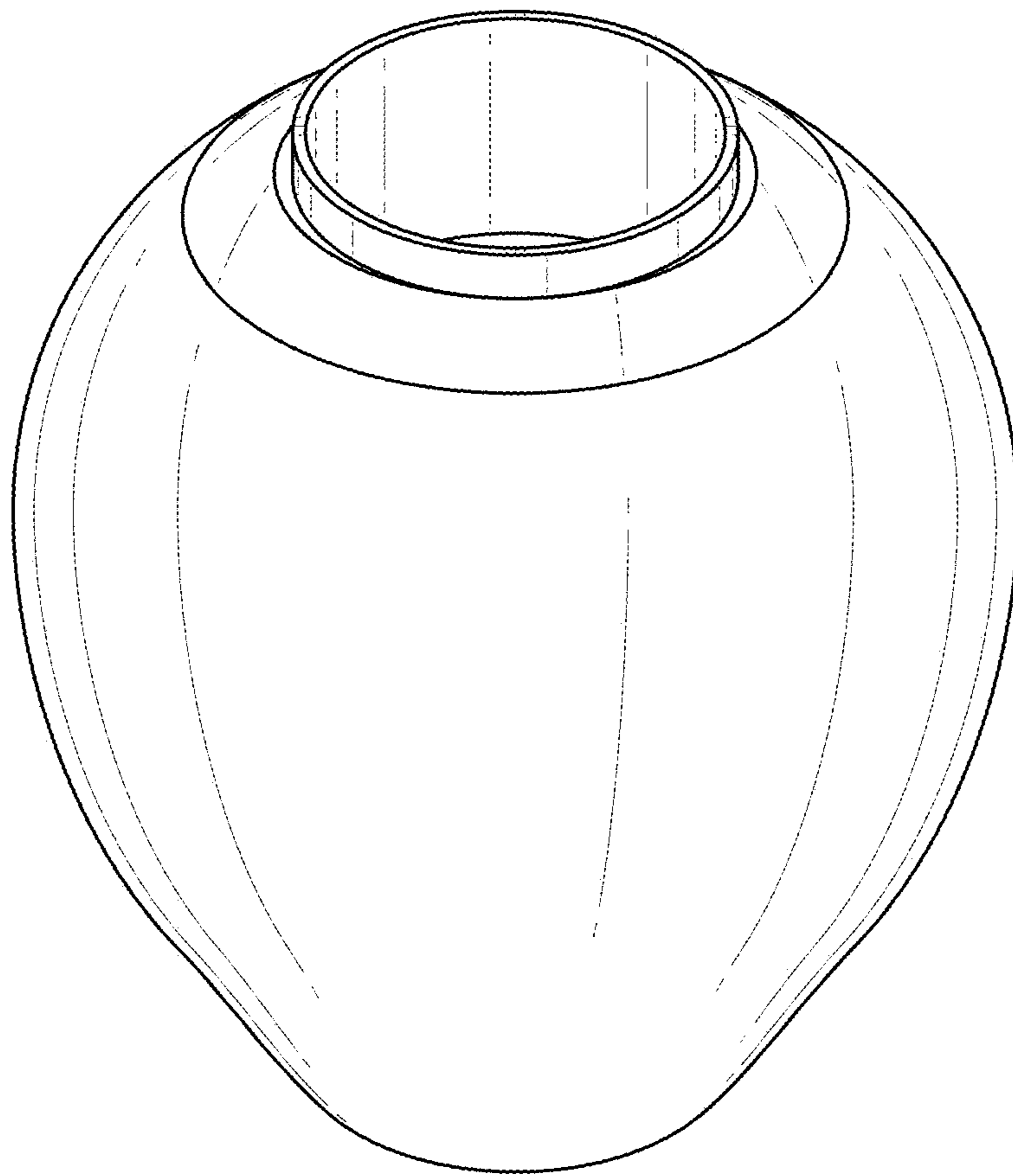


FIG. 1

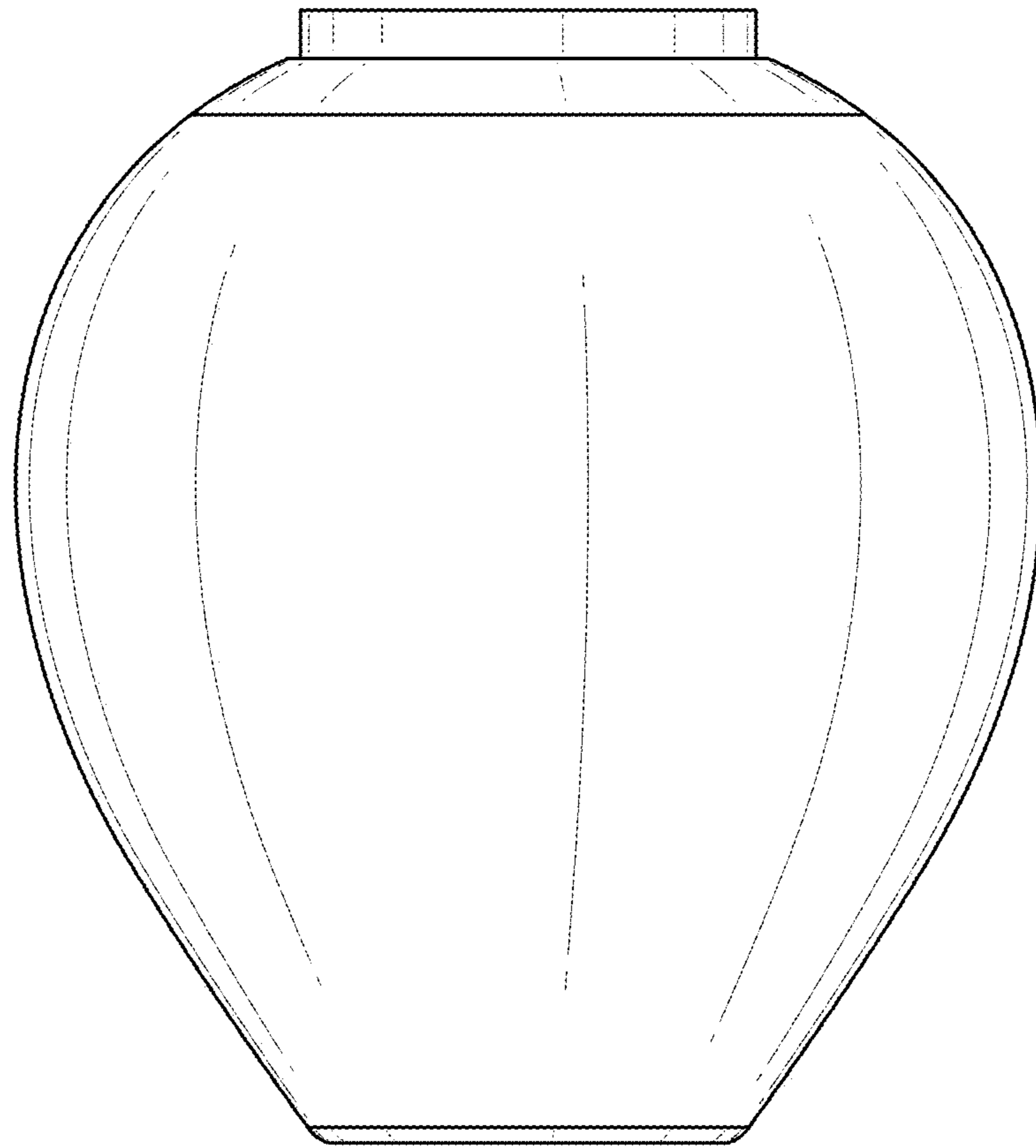


FIG. 2

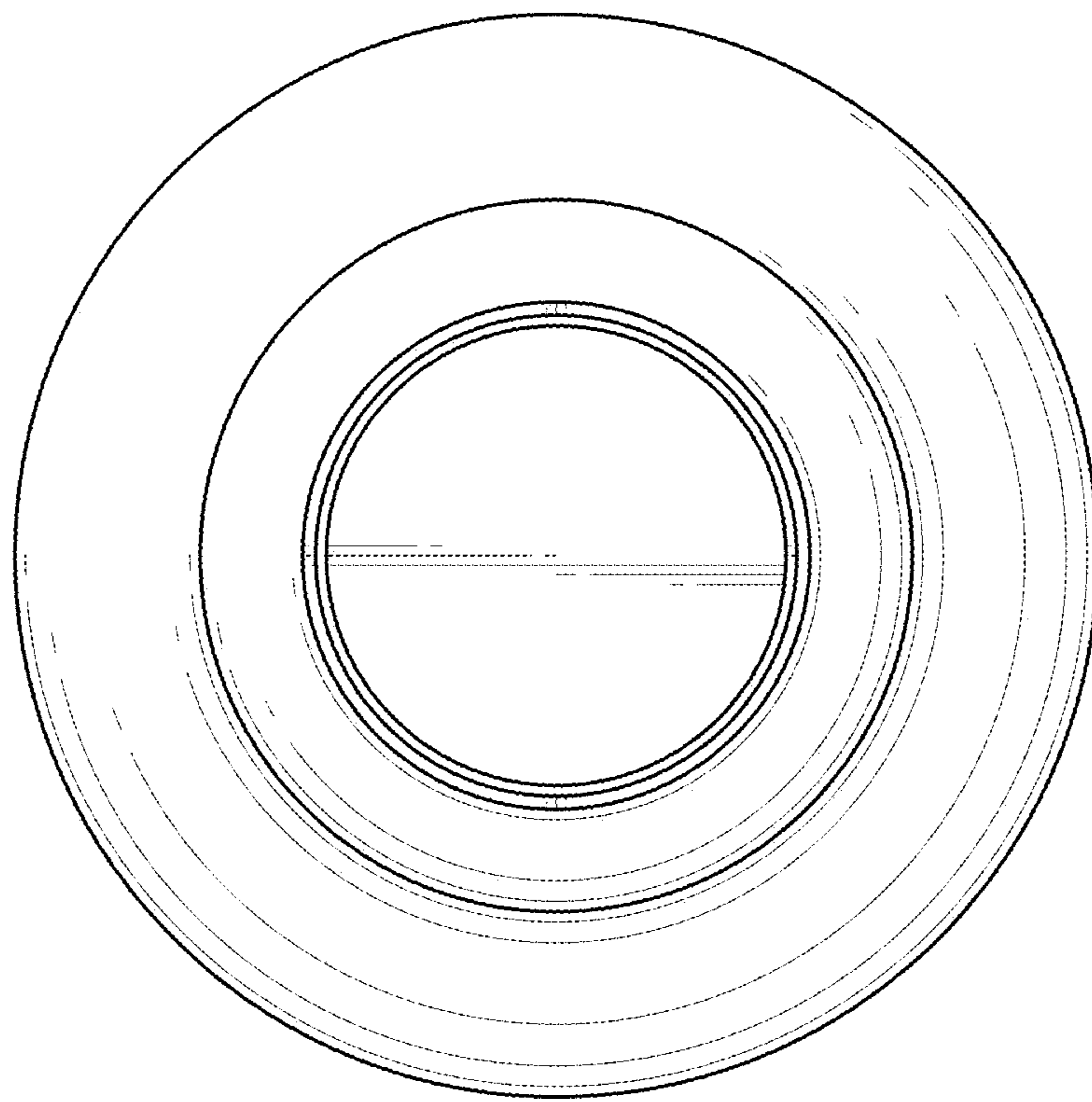


FIG. 3

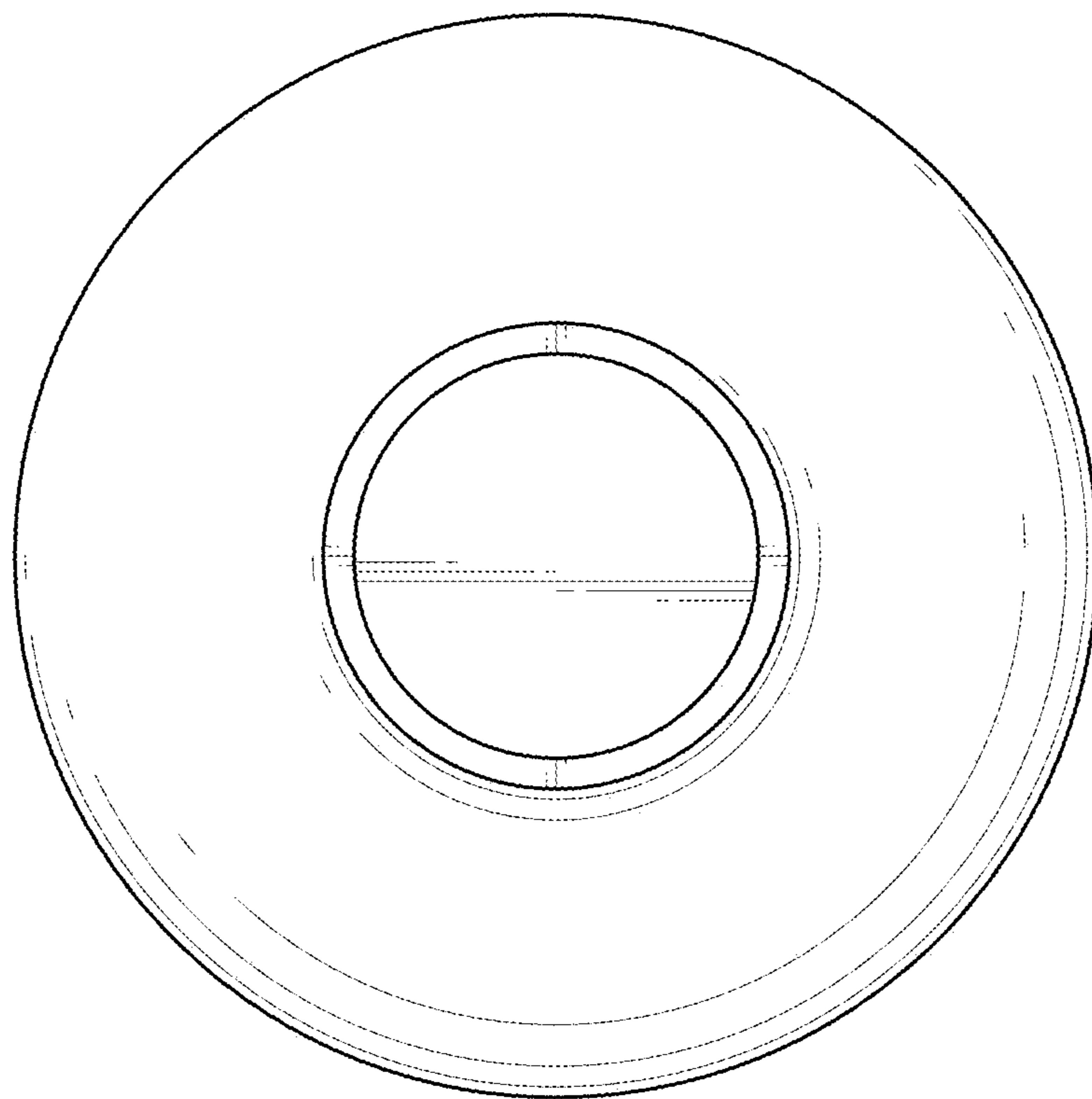


FIG. 4

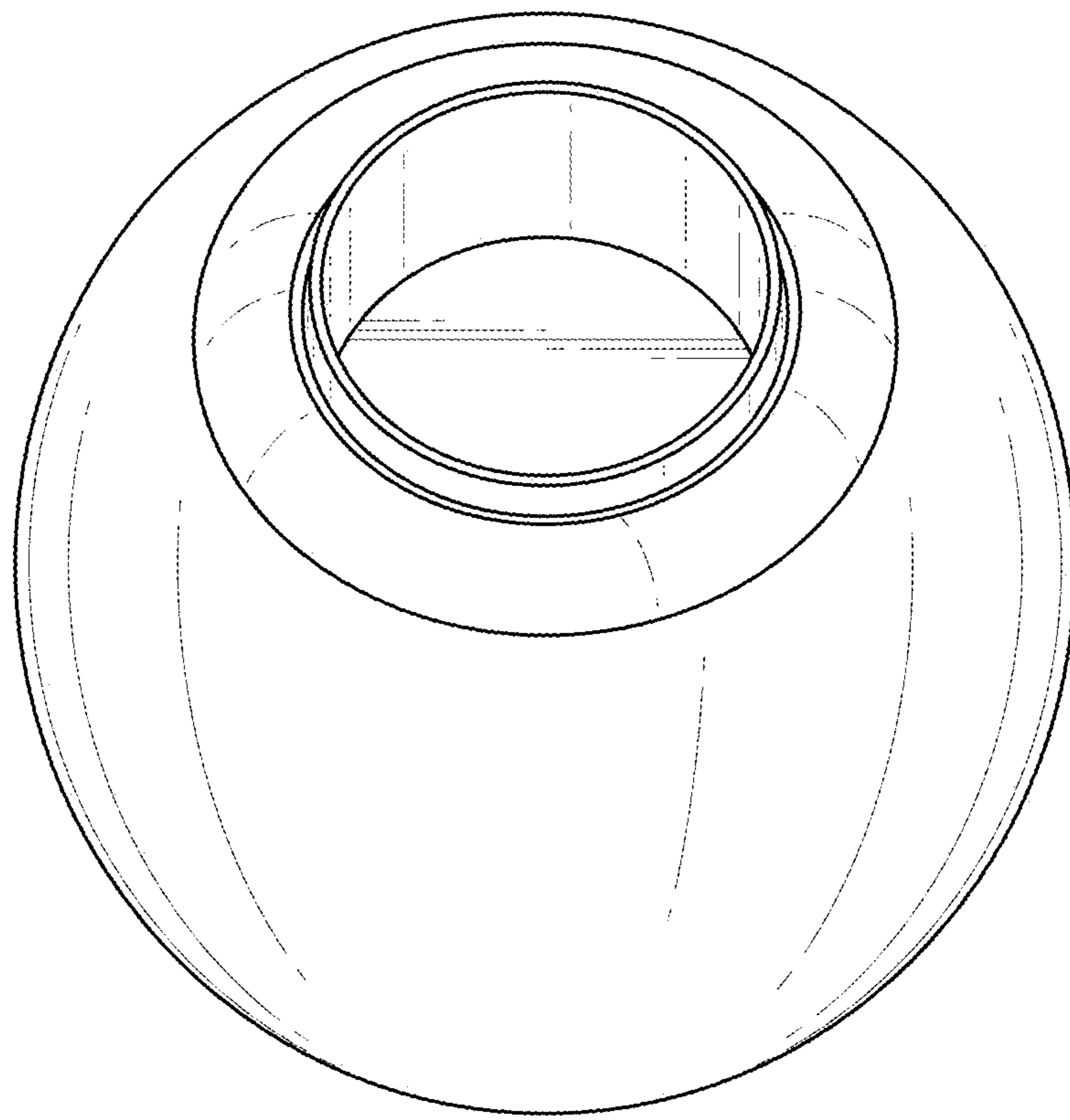


FIG. 5

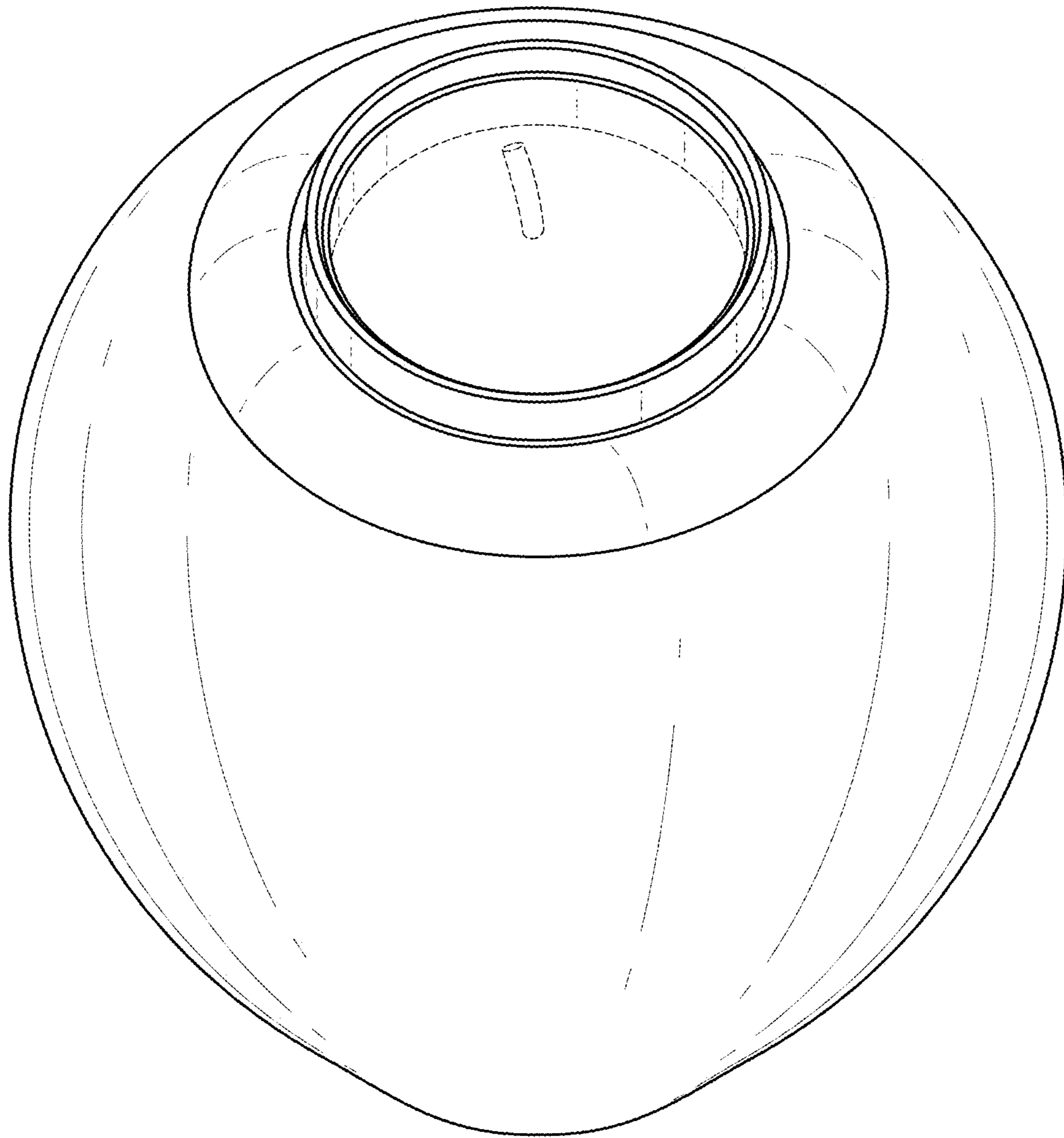


FIG. 6

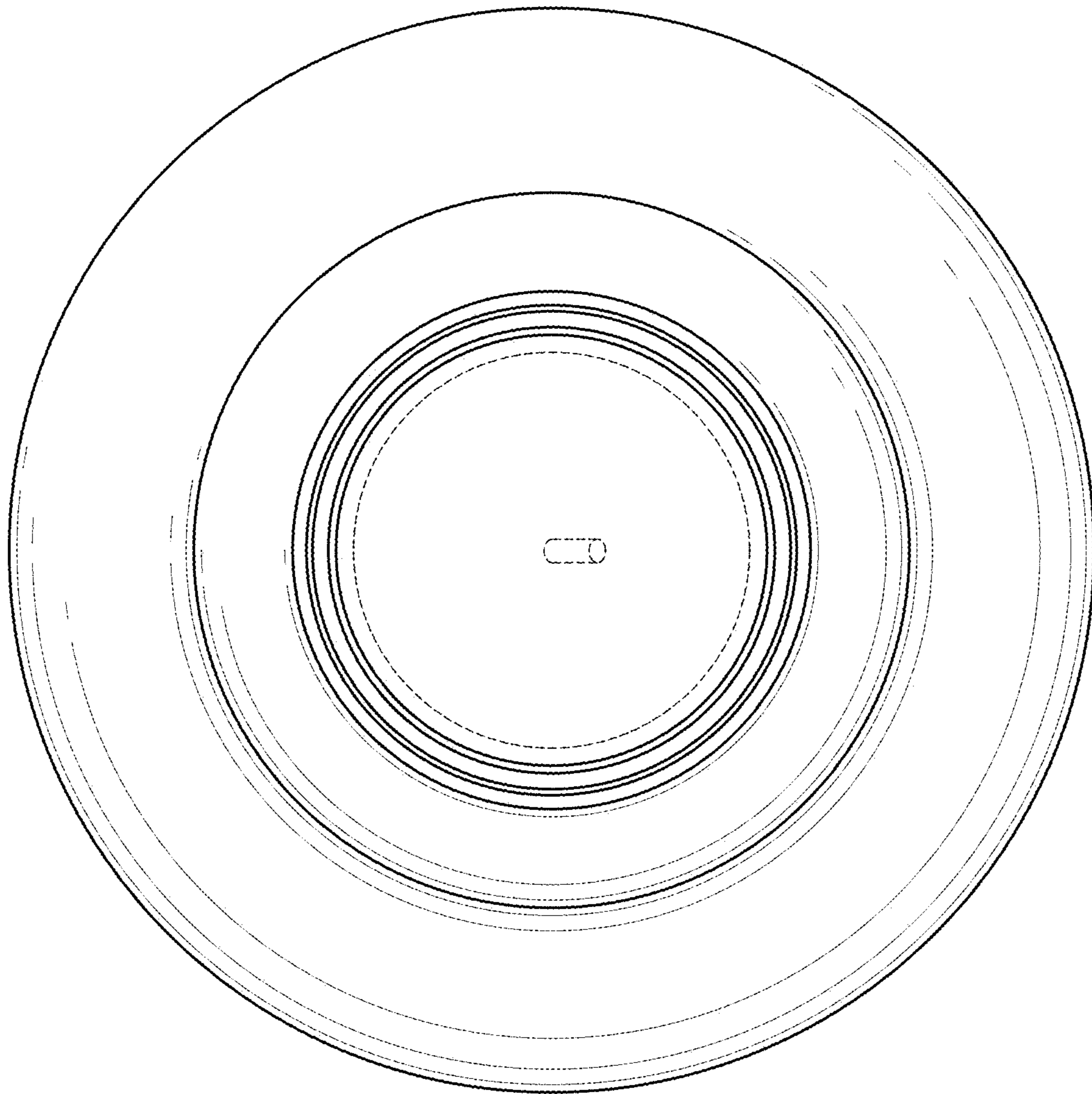


FIG. 7