



US00D943857S

(12) **United States Design Patent** (10) **Patent No.:** **US D943,857 S**
Wellington et al. (45) **Date of Patent:** **** Feb. 15, 2022**

(54) **UTILITY CART HANDLE**

(56) **References Cited**

(71) Applicant: **GLOBAL INDUSTRIAL DISTRIBUTION INC.**, Port Washington, NY (US)
(72) Inventors: **Harry Wellington**, Port Washington, NY (US); **Bruce Zutler**, Port Washington, NY (US); **Richard Leeds**, Port Washington, NY (US); **Daniel Doodnauth**, Port Washington, NY (US)

U.S. PATENT DOCUMENTS

D435,196 S	12/2000	Gregor et al.	
D482,172 S	11/2003	Johnson et al.	
8,313,114 B1	11/2012	Aron	
D714,011 S	9/2014	Fredendall et al.	
D714,012 S	9/2014	Fredendall et al.	
D733,388 S	6/2015	Stauff et al.	
D792,674 S	7/2017	Stauff et al.	
D861,880 S	10/2019	Verschoor	
D916,413 S *	4/2021	Liao	D34/27
D923,277 S *	6/2021	Wellington	D34/27
2009/0033118 A1	2/2009	Gomez	

(73) Assignee: **GLOBAL INDUSTRIAL DISTRIBUTION INC.**, Port Washington, NY (US)

* cited by examiner

(**) Term: **15 Years**

Primary Examiner — Cynthia Ramirez
(74) *Attorney, Agent, or Firm* — Troutman Pepper Hamilton Sanders LLP

(21) Appl. No.: **29/796,048**

(57) **CLAIM**

The ornamental design for a utility cart handle, as shown and described.

(22) Filed: **Jun. 22, 2021**

DESCRIPTION

Related U.S. Application Data

(62) Division of application No. 29/663,002, filed on Sep. 11, 2018, now Pat. No. Des. 923,277.

(51) **LOC (13) Cl.** **12-02**

(52) **U.S. Cl.**
USPC **D34/27**

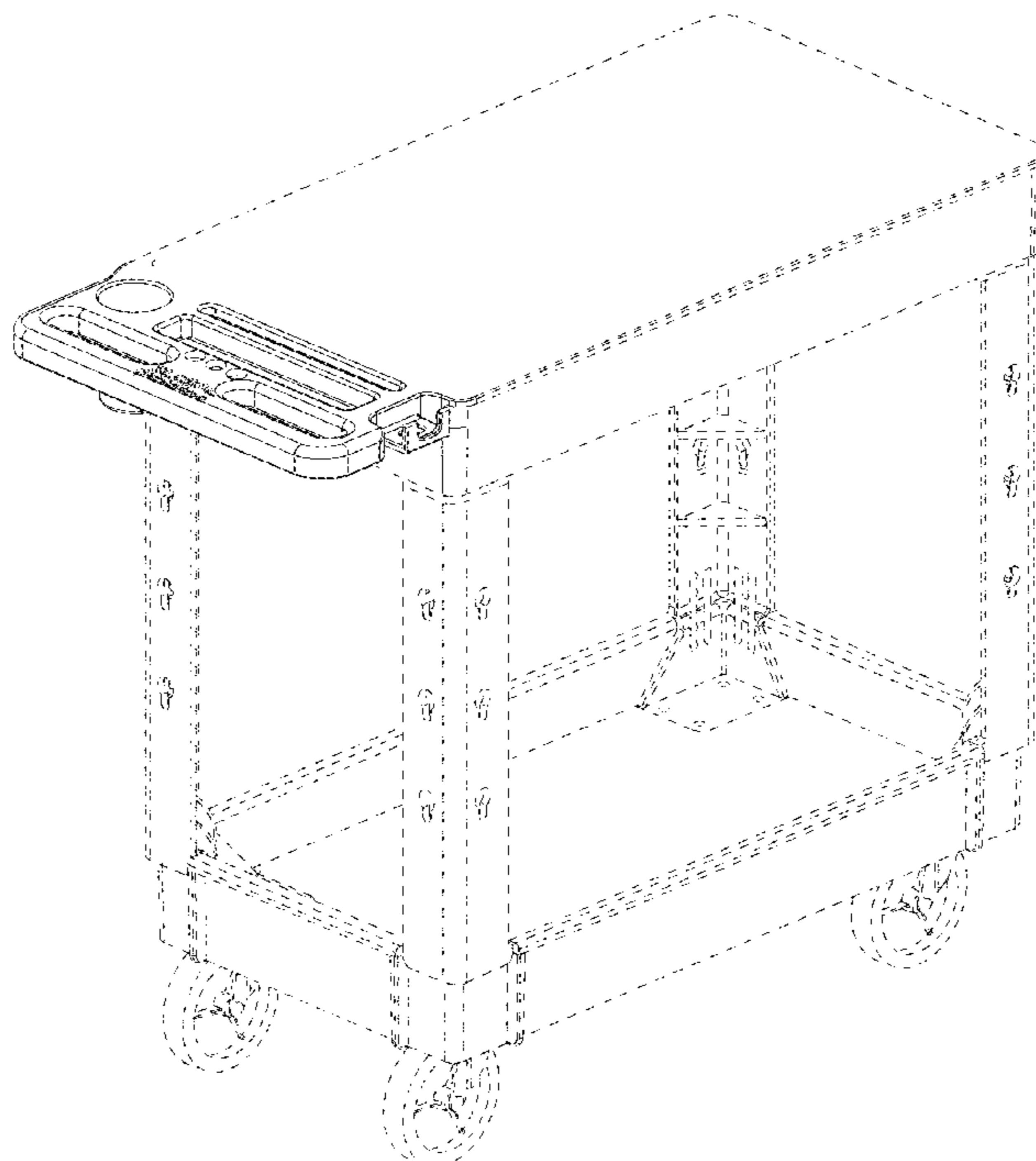
(58) **Field of Classification Search**
USPC D34/27; D7/552.1, 553.5
CPC B62B 2501/065; B62B 3/14; B62B 3/144;
B62B 3/1452

See application file for complete search history.

FIG. 1 is a top perspective view of a utility cart handle showing our new design;
FIG. 2 is a top back perspective view thereof;
FIG. 3 is a top view thereof;
FIG. 4 is a front view thereof;
FIG. 5 is a side view thereof;
FIG. 6 is a back view thereof; and,
FIG. 7 is a bottom view thereof.

The broken lines showing lettering on the handle show portions of the utility cart handle which form no part of the claimed design. Additional broken lines show environment and form no part of the claimed design.

1 Claim, 7 Drawing Sheets



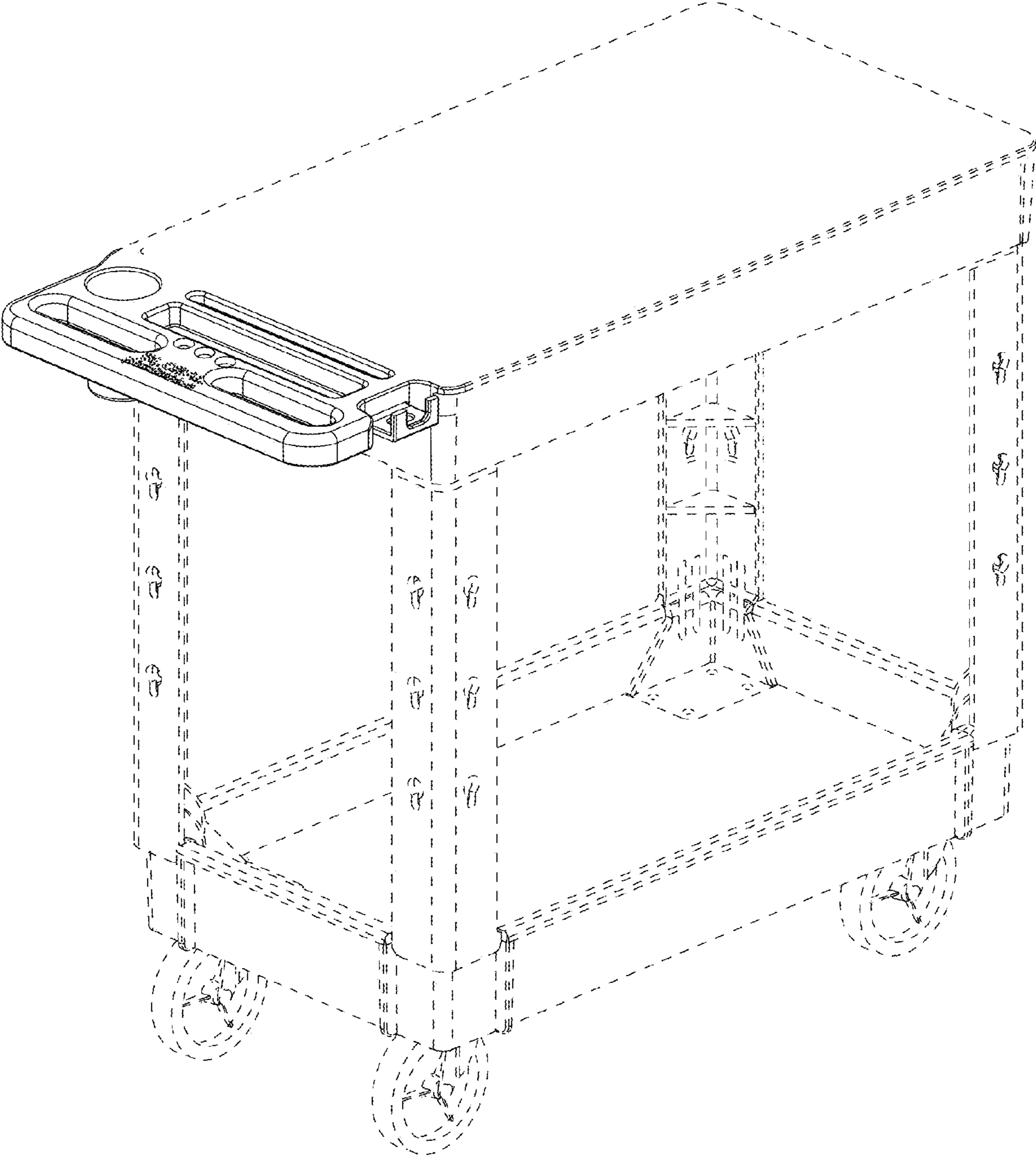


FIG. 1

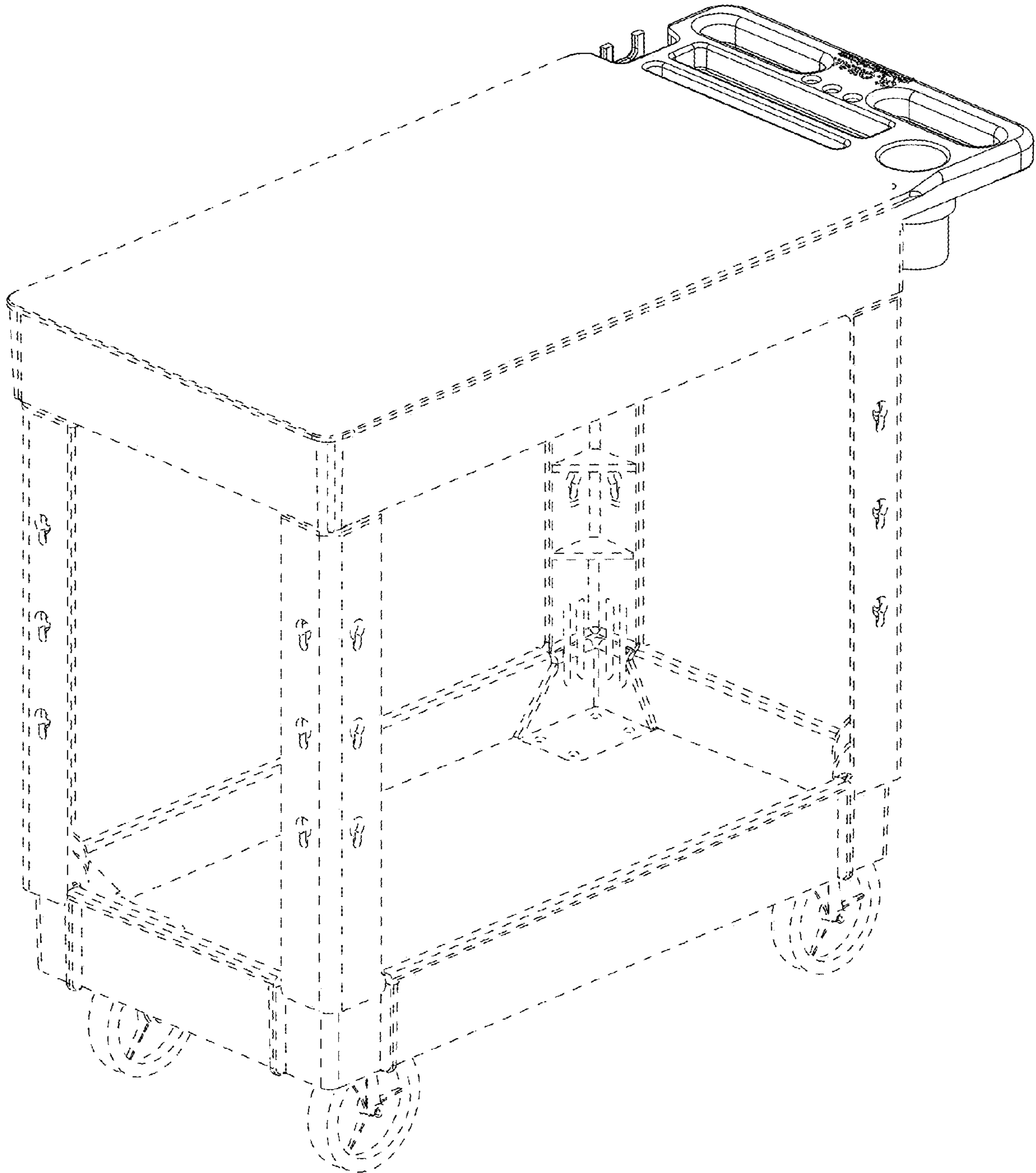


FIG. 2



FIG. 3

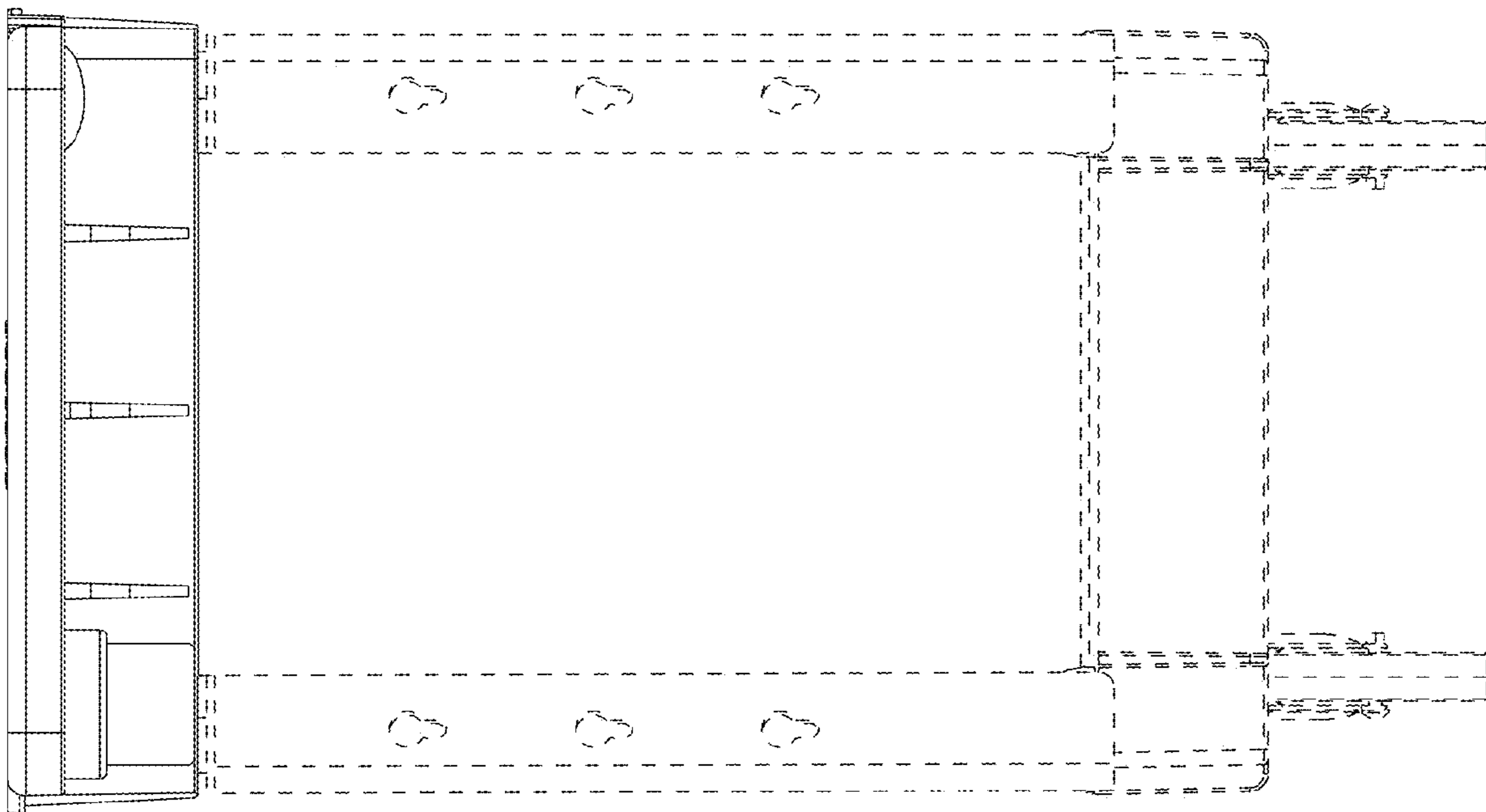
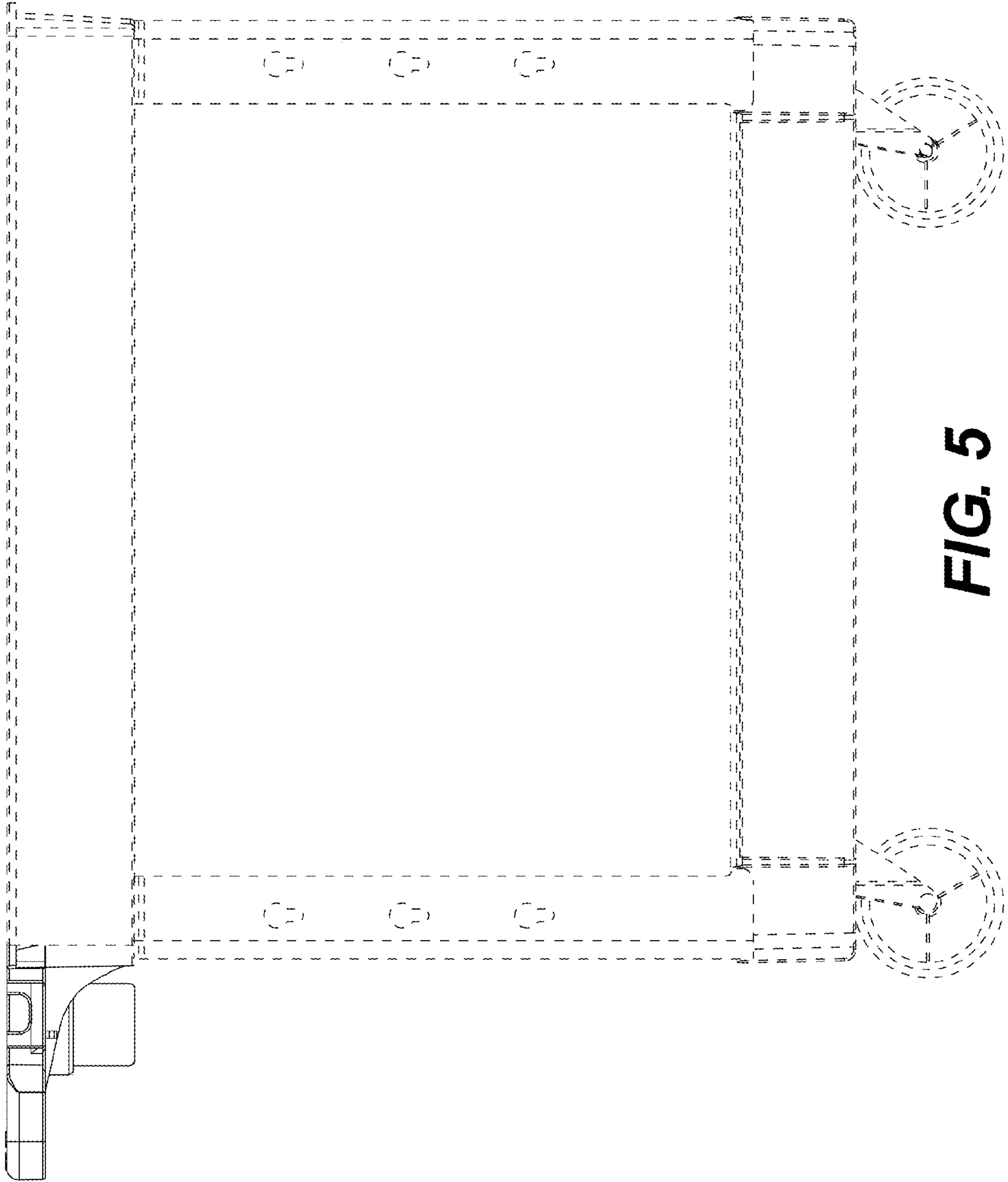


FIG. 4



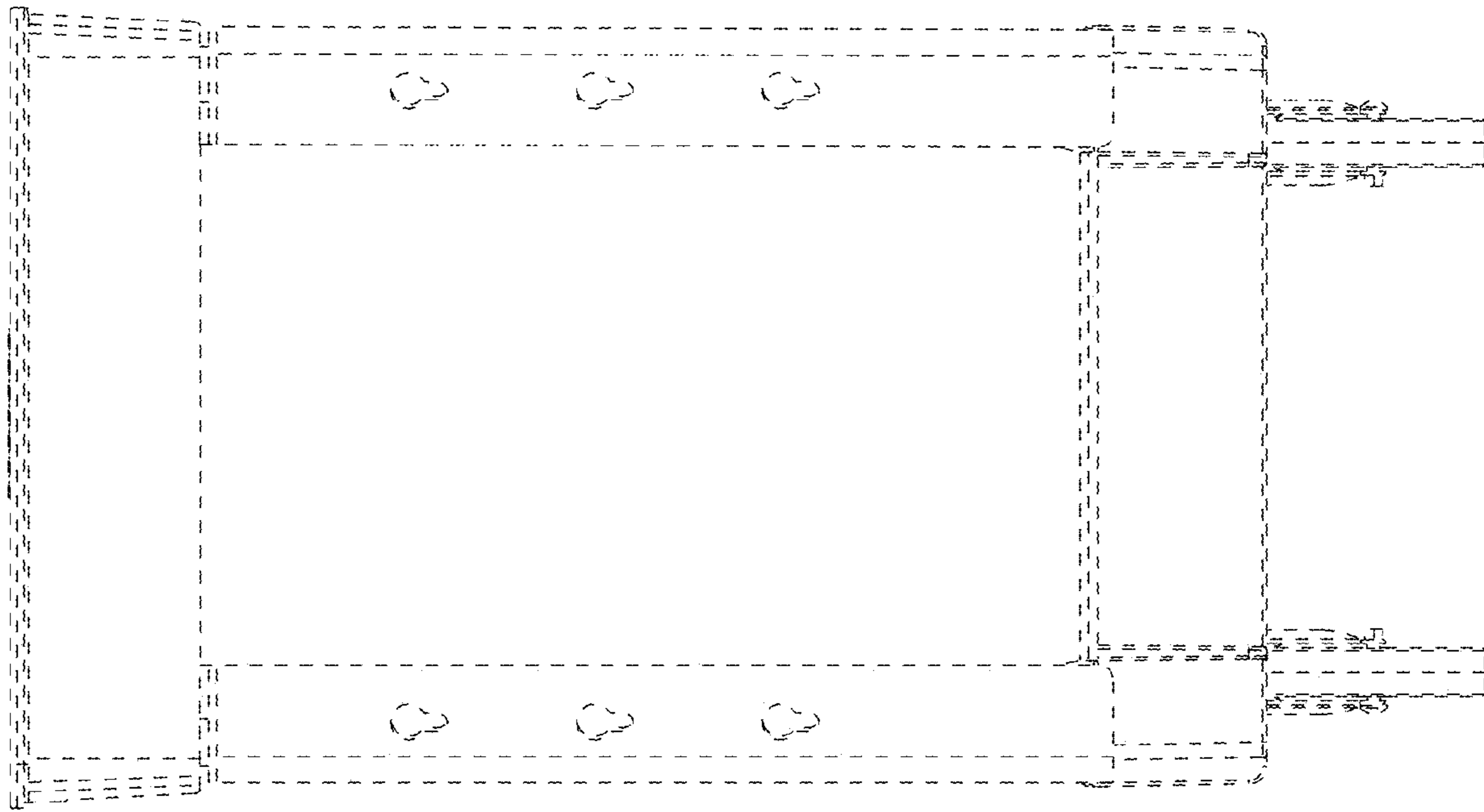


FIG. 6

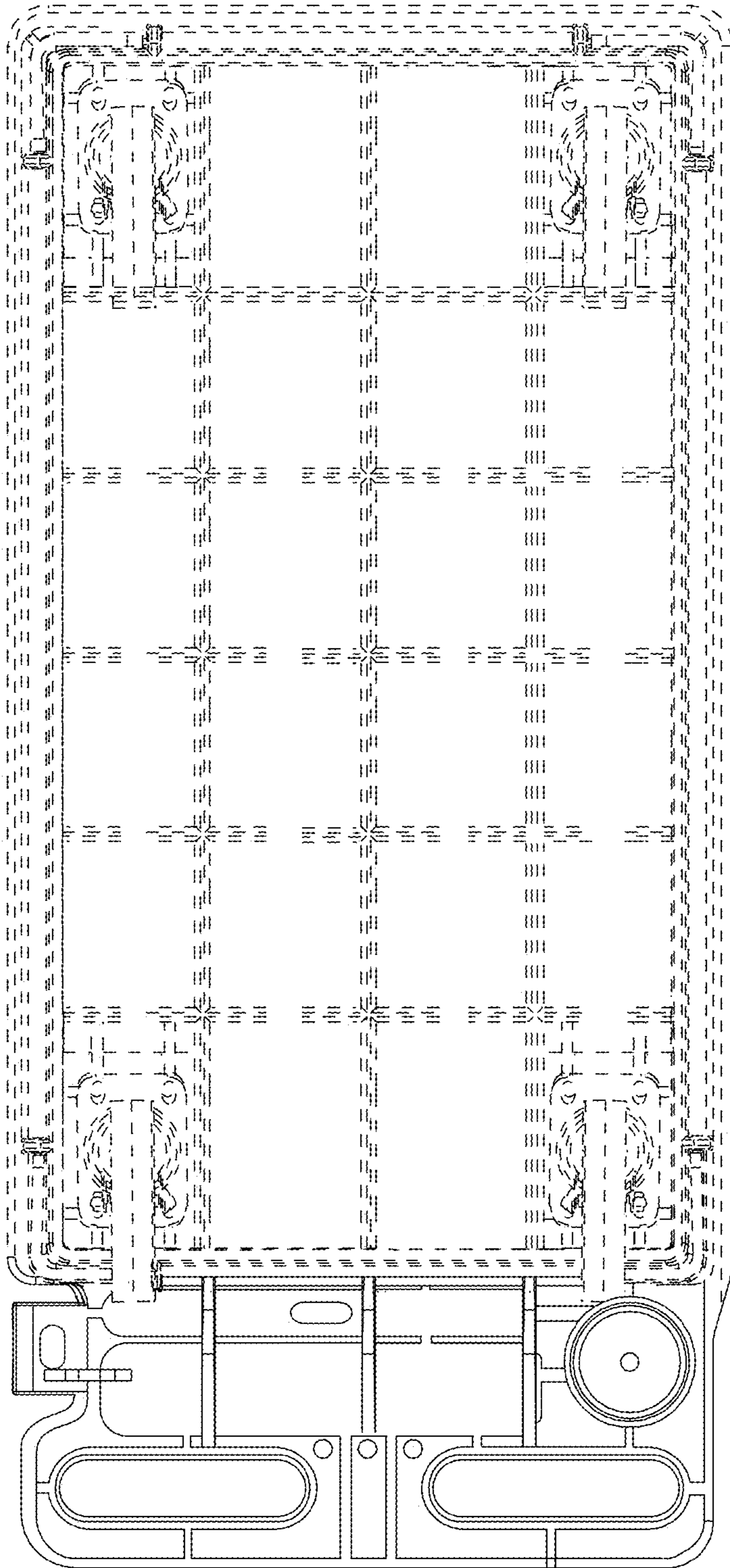


FIG. 7