



US00D943854S

(12) **United States Design Patent** (10) **Patent No.:** **US D943,854 S**
Mathias et al. (45) **Date of Patent:** **** Feb. 15, 2022**

(54) **TRAY FOR MOP REPLACEMENT HEAD**

D315,975 S 4/1991 Huang
5,090,975 A * 2/1992 Requejo A47L 9/14
134/21

(71) Applicant: **SharkNinja Operating LLC**,
Needham, MA (US)

D352,432 S 11/1994 Monroe
5,365,881 A 11/1994 Sporn
D358,238 S 5/1995 Barnett

(72) Inventors: **Richard Mathias**, Needham, MA (US);
Brandon J. Suleski, Cambridge, MA
(US); **Michael James Douglas**, London
(GB)

(Continued)

FOREIGN PATENT DOCUMENTS

(73) Assignee: **SharkNinja Operating LLC**,
Needham, MA (US)

JP D1489801 S 2/2014

OTHER PUBLICATIONS

(**) Term: **15 Years**

Bissell Mop Tray <https://www.amazon.com/Bissell-Mop-Pad-Tray-1602390/dp/B00IPDCUNE> (Year: 2021).*

(21) Appl. No.: **29/724,352**

(Continued)

(22) Filed: **Feb. 14, 2020**

(51) **LOC (13) Cl.** **07-05**

Primary Examiner — Michelle E. Wilson

(52) **U.S. Cl.**

Assistant Examiner — Richard E Yenchesky

USPC **D32/38**

(74) *Attorney, Agent, or Firm* — Mintz Levin Cohn Ferris

(58) **Field of Classification Search**

USPC D7/409; D8/10; D12/106; D32/32, 33,
D32/35, 38, 39, 40, 45, 50

Glovsky and Popeo, PC; Lisa Adams

CPC . A47L 13/256; A47L 9/02; A47L 9/14; B01D
50/002; B25G 3/38; C11D 3/30

(57) **CLAIM**

See application file for complete search history.

We claim the ornamental design for the tray for mop
replacement head, as shown and described.

DESCRIPTION

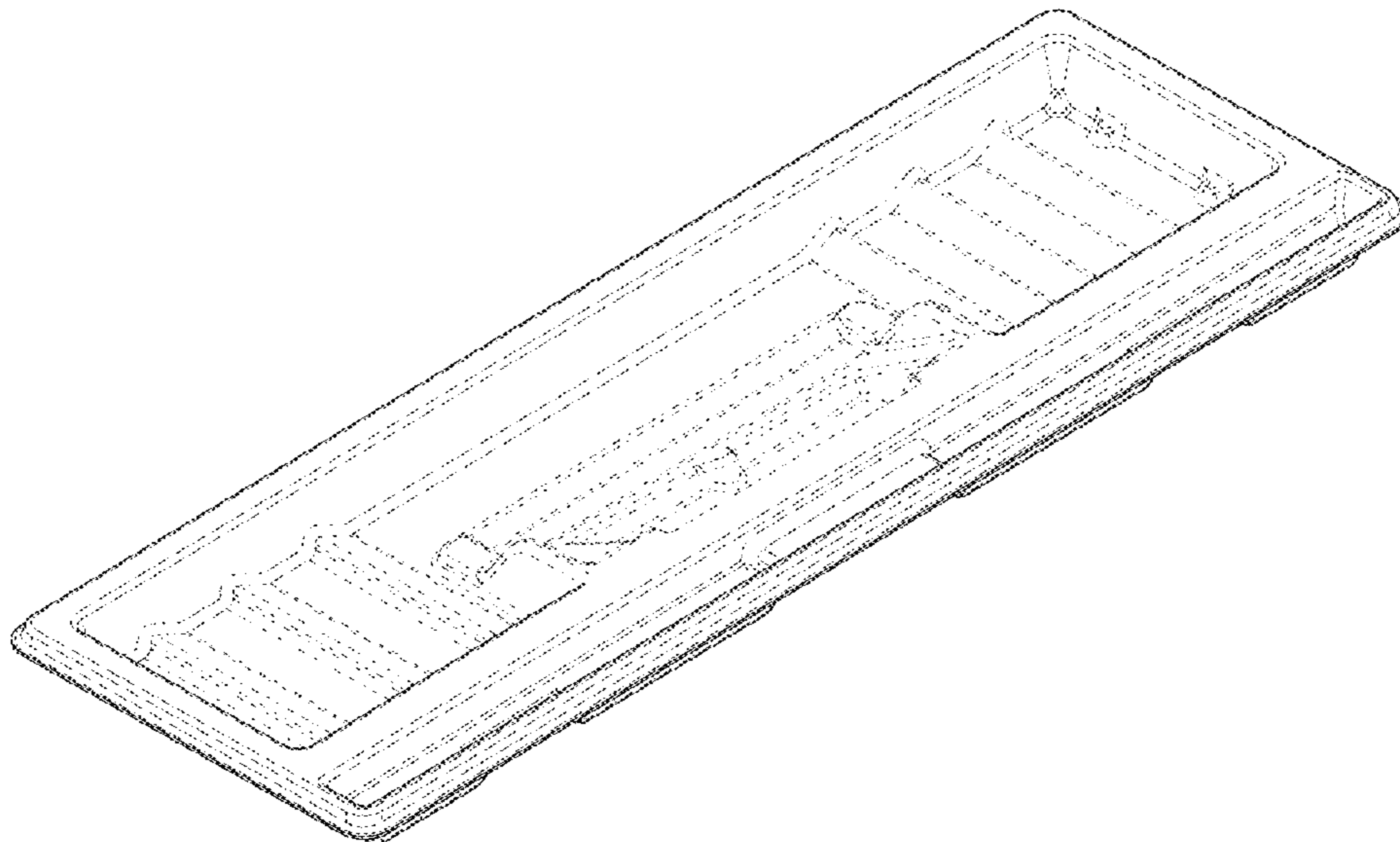
(56) **References Cited**

U.S. PATENT DOCUMENTS

490,472 A 1/1893 Clements
D117,388 S 10/1939 Woinarovicz
D214,977 S 8/1969 Roth
3,676,888 A 7/1972 Akers
D247,949 S 5/1978 Tillinghast et al.
D249,821 S 10/1978 Cooke et al.
D250,245 S 11/1978 Bebb
D274,663 S * 7/1984 Patzold D32/38
D278,099 S 3/1985 Evans
D286,576 S 11/1986 Schneider et al.
D287,539 S 12/1986 Wilson et al.
D293,142 S * 12/1987 Kubota D32/38

FIG. 1 is an isometric view of the tray;
FIG. 2 is a front view of the tray;
FIG. 3 is a rear view of the tray;
FIG. 4 is a top view of the tray;
FIG. 5 is a bottom view of the tray;
FIG. 6 is a side view of the tray;
FIG. 7 is another side view of the tray
FIG. 8 is a rear isometric view of the tray; and,
FIG. 9 is a bottom isometric view of the tray.
Broken lines shown in the Figures indicate unclaimed sub-
ject matter.

1 Claim, 7 Drawing Sheets



(56)

References Cited

U.S. PATENT DOCUMENTS

D360,507 S 7/1995 Salvato
 D388,569 S 12/1997 Israel
 D391,715 S 3/1998 Irwin et al.
 D402,776 S 12/1998 Carlson
 D409,459 S * 5/1999 Churchman D8/10
 5,915,437 A 6/1999 Petner
 D423,157 S 4/2000 Hodges
 D427,401 S 6/2000 Kunkler
 D444,952 S 7/2001 Mason, Jr.
 D467,686 S 12/2002 Kohler
 D506,050 S 6/2005 Lalanne et al.
 D510,467 S * 10/2005 Kizaki D32/38
 6,979,371 B1 * 12/2005 Policicchio C11D 3/30
 134/39
 D518,935 S 4/2006 Leitch et al.
 D544,664 S * 6/2007 Santiago D32/32
 D545,019 S * 6/2007 Harper D32/50
 D547,017 S * 7/2007 Van LANDINGHAM, Jr. D32/51
 D547,510 S * 7/2007 Nelson D32/39
 D548,413 S * 8/2007 Harper D32/40
 D548,907 S 8/2007 Killen
 D548,910 S * 8/2007 Murray D32/45
 D552,315 S * 10/2007 Harper D32/40
 D554,815 S 11/2007 Harper et al.
 D555,857 S * 11/2007 Harper D32/50
 D563,068 S 2/2008 Jiang et al.
 D575,680 S * 8/2008 Brown D12/106
 D587,538 S 3/2009 Vendl et al.
 D597,717 S 8/2009 Rosenzweig et al.
 D613,473 S 4/2010 Pierce
 D615,260 S 5/2010 Koenig
 D617,066 S 6/2010 Koenig et al.
 D625,480 S * 10/2010 Raven D32/50
 D629,982 S * 12/2010 Rossano D32/33
 D644,386 S 8/2011 Tawara et al.
 D647,676 S * 10/2011 Liu D32/35
 D648,910 S * 11/2011 Raven D32/39
 D653,826 S 2/2012 Lee
 D657,515 S * 4/2012 McGee D32/45
 D657,928 S * 4/2012 Byrne D32/50
 D658,836 S * 5/2012 Ediger D32/50
 D659,924 S * 5/2012 McGee D32/45
 D661,034 S 5/2012 Ediger et al.
 D672,107 S 12/2012 Van LANDINGHAM, Jr. et al.
 D677,031 S 2/2013 Best et al.
 D685,557 S * 7/2013 Rosenzweig D32/45
 D685,558 S * 7/2013 deBlois D32/45
 D691,342 S * 10/2013 Schuller D32/50
 D697,682 S * 1/2014 Schuller D32/50
 D700,761 S * 3/2014 Libman D32/50

D701,013 S 3/2014 Libman et al.
 D703,407 S 4/2014 Xiong
 D720,906 S 1/2015 Baldwin
 D731,137 S 6/2015 Colangelo
 D756,581 S 5/2016 Libman et al.
 D759,329 S 6/2016 Colangelo
 D761,510 S 7/2016 Vicari et al.
 D764,127 S 8/2016 Vicari et al.
 D766,527 S * 9/2016 Niedzwecki D32/45
 D766,528 S 9/2016 Choi et al.
 D766,584 S 9/2016 Blouin et al.
 D792,043 S 7/2017 Buckley et al.
 D793,639 S 8/2017 Schuller et al.
 D804,123 S 11/2017 Orsino
 D817,574 S 5/2018 Libman et al.
 D818,233 S * 5/2018 Palladino D32/50
 10,004,372 B2 6/2018 Escobar et al.
 D837,464 S 1/2019 Park
 D850,047 S 5/2019 James et al.
 D885,002 S * 5/2020 James D32/50
 D923,402 S * 6/2021 Gulati D7/409
 2002/0170140 A1 * 11/2002 Diaz A47L 9/02
 15/415.1
 2005/0193516 A1 9/2005 Hughes
 2006/0018706 A1 1/2006 Bensussan et al.
 2006/0048327 A1 3/2006 Lacotta et al.
 2006/0070196 A1 4/2006 Lacotta et al.
 2009/0265872 A1 * 10/2009 Eldessouky B25G 3/38
 15/144.1
 2016/0167128 A1 * 6/2016 Stalder B01D 50/002
 164/76.1
 2017/0049292 A1 2/2017 Harrington et al.
 2021/0015324 A1 * 1/2021 James A47L 13/256

OTHER PUBLICATIONS

Shark Steam Mop https://www.amazon.com/Shark-S3801CO-Replacement-Rectangle-All-Purpose/dp/B00605YR7G/ref=pd_sbs_1/146-4306209-5340031 (Year: 2015).*
 amazon.com “Shark Genius Steam Pocket Mop Hard Floor Cleaner”, oldest reviews 2016, https://www.amazon.com/Cleaner-Blaster-Technology-Intelligent-S50030/dp/B01KU4BSGK/ref=cm_cr_arpd_product_top?ie=UTF8, site visited Oct. 11, 2018, 11 pages.
 (2019) Shark Rocket DuoClean Ultra-Light Corded Stick Vacuum, Walmart.com reviews, <https://www.walmart.com/ip/SharkNinja-Rocket-DuoClean-Corded-Ultra-Light-Bagless-M...> site visited Sep. 5, 2019, 19 pages.
 Design U.S. Appl. No. 29/680,842, filed Feb. 20, 2019, Richard R. Mathias et al., 4 pages.

* cited by examiner

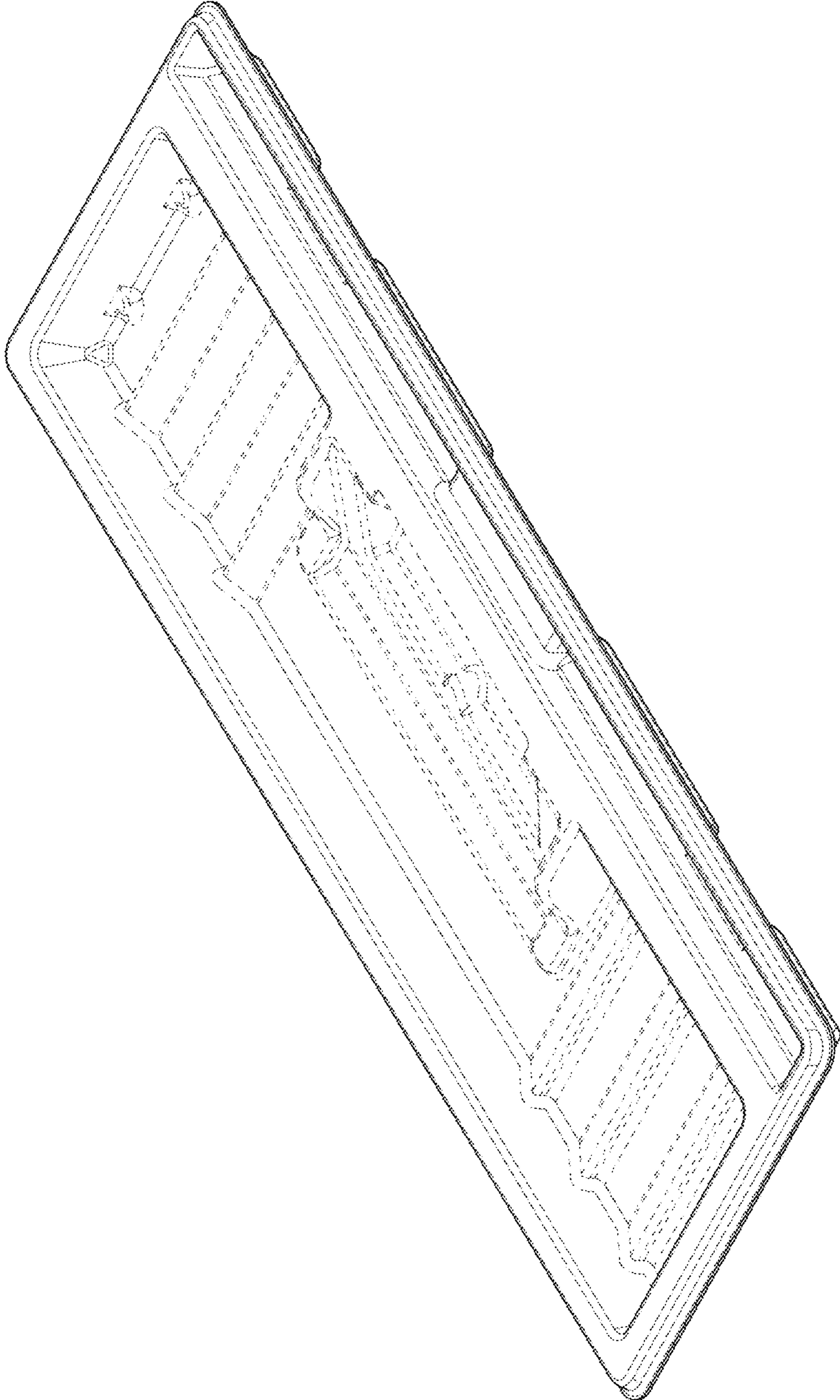


FIG. 1

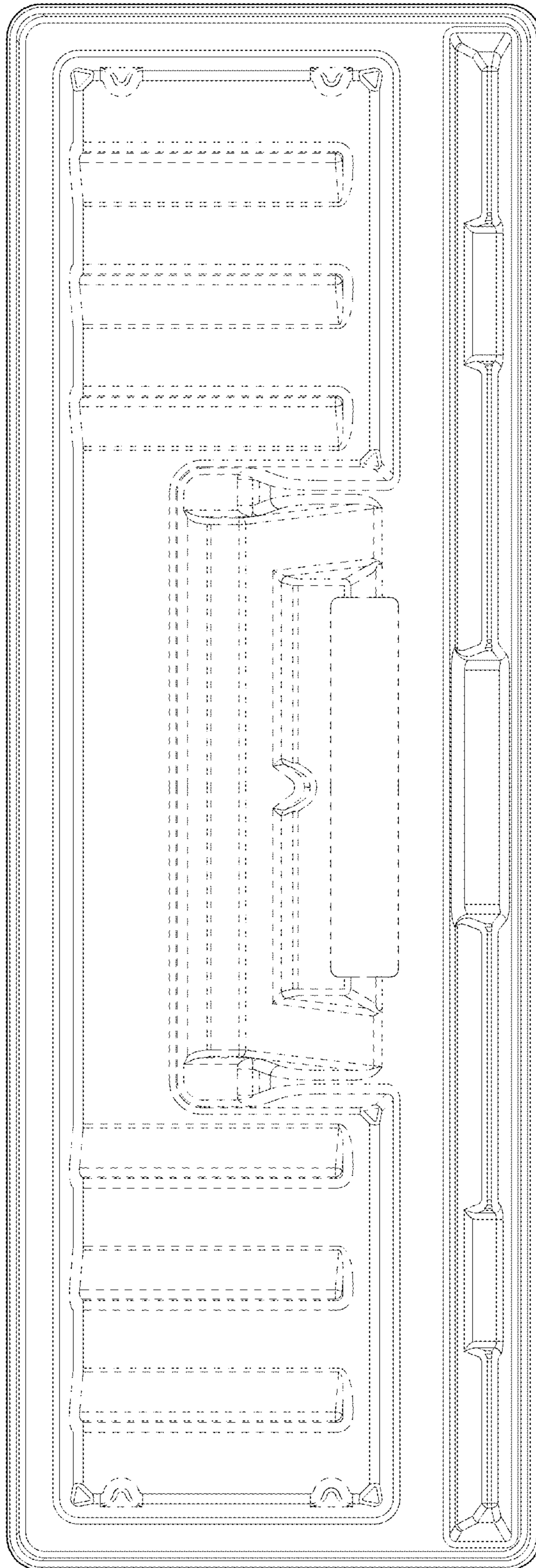


FIG. 2

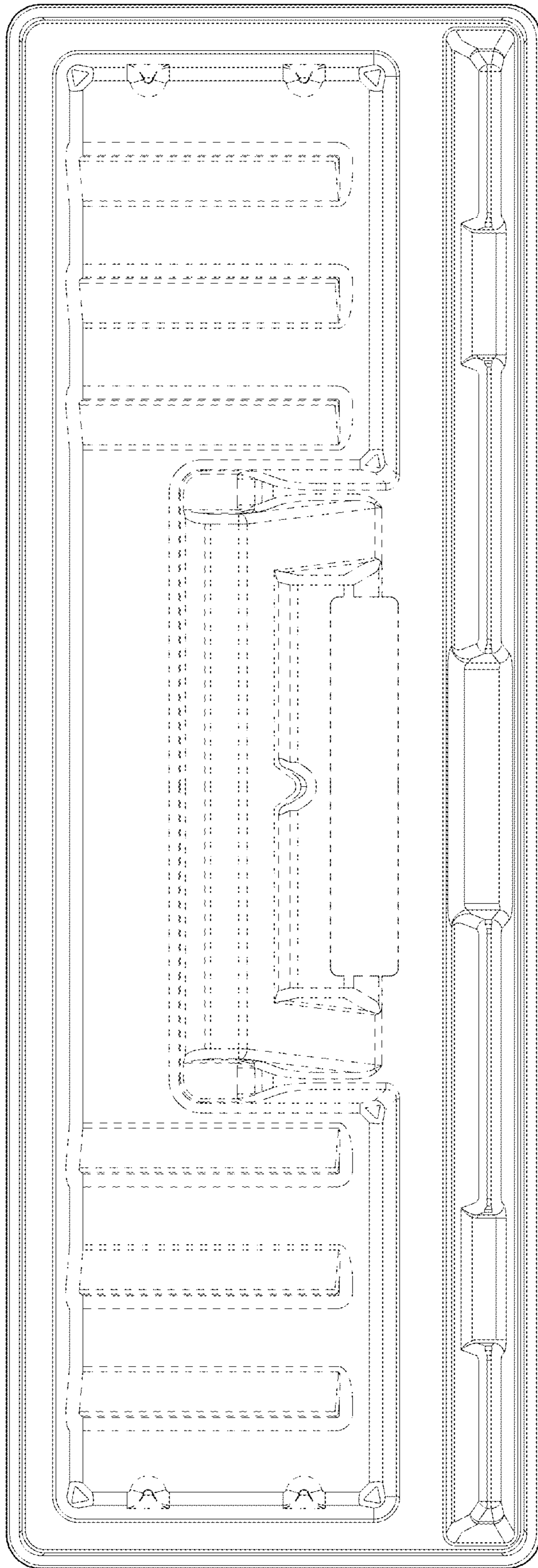


FIG. 3

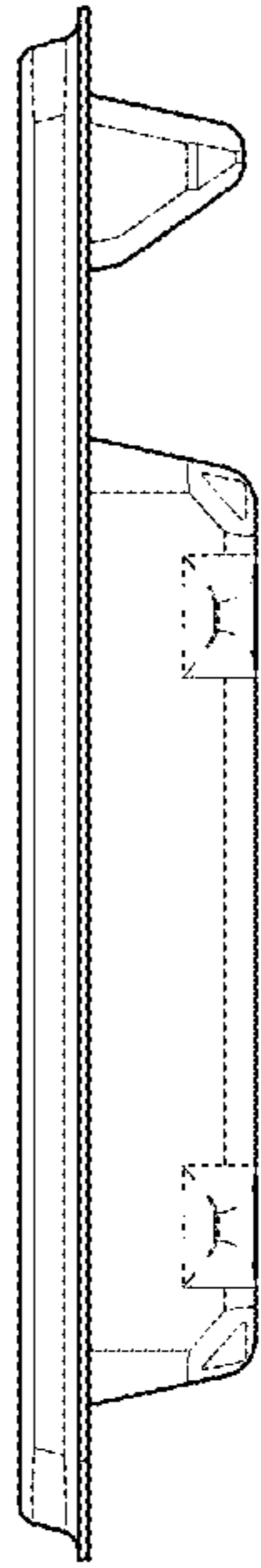


FIG. 4

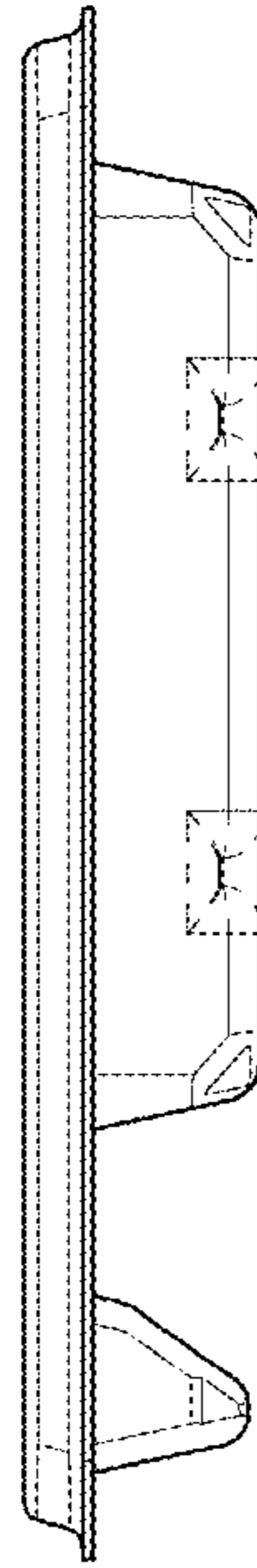


FIG. 5

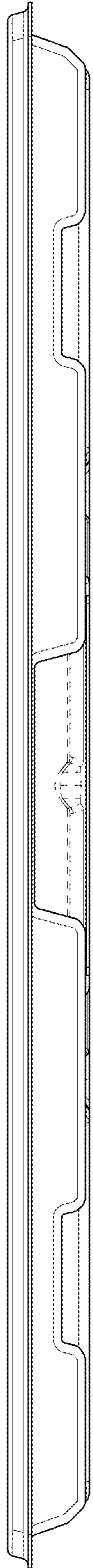


FIG. 6

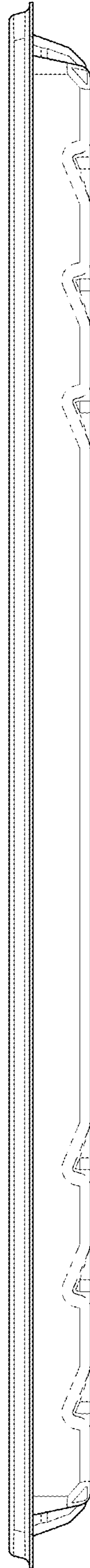


FIG. 7

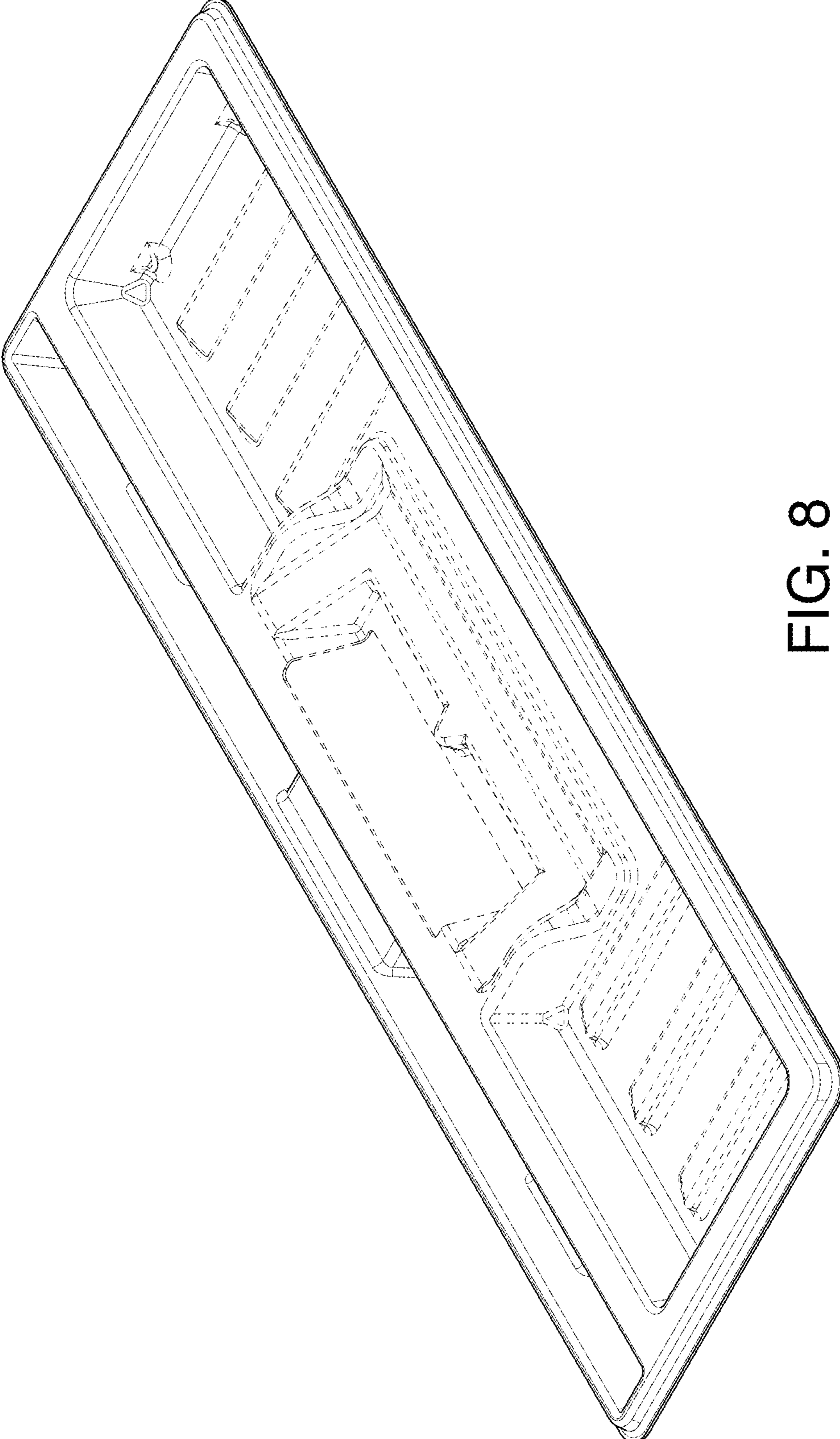


FIG. 8

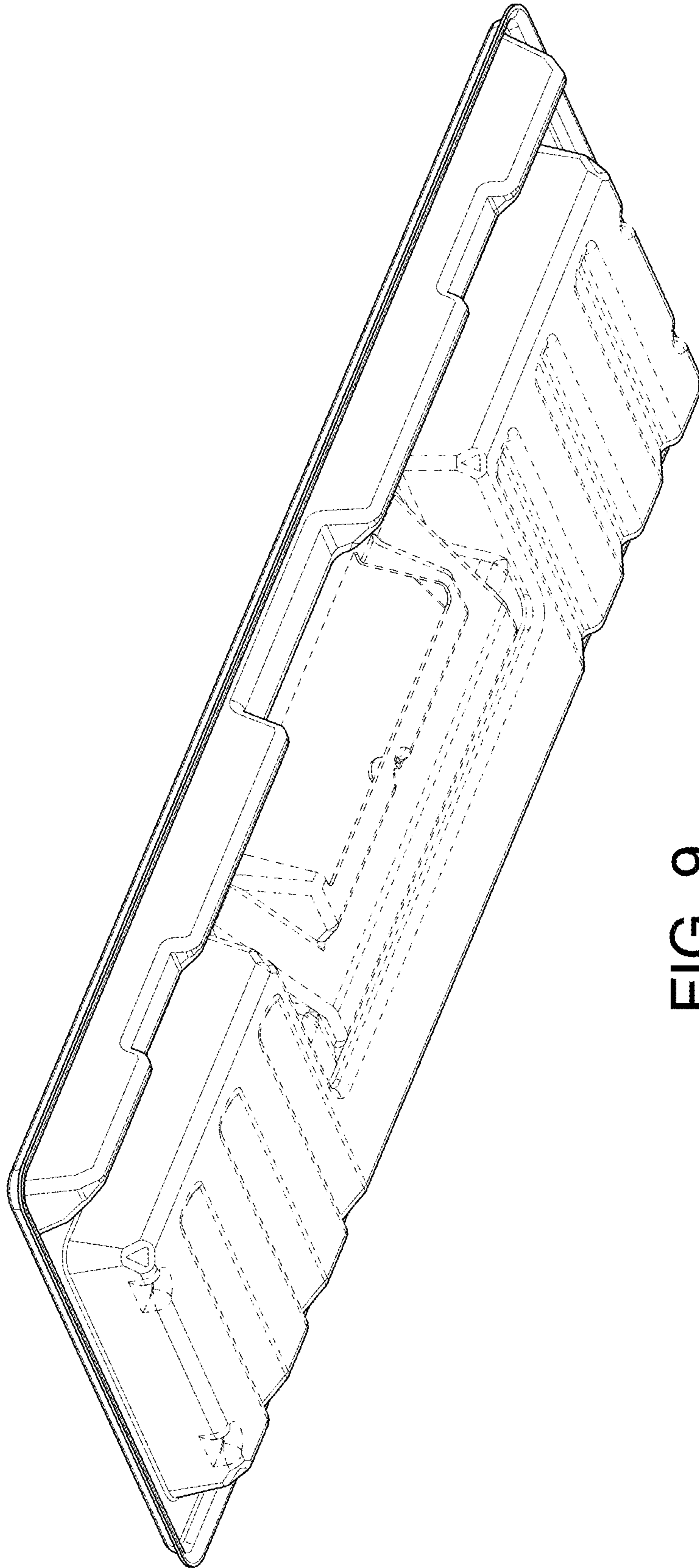


FIG. 9