



US00D943853S

(12) **United States Design Patent** (10) **Patent No.:** **US D943,853 S**
Speak (45) **Date of Patent:** **** Feb. 15, 2022**

(54) **NET WITH SUCTION CUP HANDLE**

(71) Applicant: **Brent Speak**, Alpharetta, GA (US)

(72) Inventor: **Brent Speak**, Alpharetta, GA (US)

(**) Term: **15 Years**

(21) Appl. No.: **29/750,388**

(22) Filed: **Sep. 14, 2020**

(51) **LOC (13) Cl.** **07-05**

(52) **U.S. Cl.**
USPC **D32/35; D22/135**

(58) **Field of Classification Search**
USPC D22/135; D23/209–210; D32/35, 40–43,
D32/46; D7/667
CPC .. A61L 2/10; A01K 77/00; E04H 4/00; E04H
4/14

See application file for complete search history.

(56) **References Cited**

U.S. PATENT DOCUMENTS

D316,619 S *	4/1991	Richarson	D32/35
D330,444 S *	10/1992	Wall	D22/135
D381,781 S *	7/1997	Clay	D22/135
D515,261 S *	2/2006	Henson	D22/135
D868,206 S *	11/2019	Carriere	D23/209
D912,350 S *	3/2021	Speak	D32/35

OTHER PUBLICATIONS

The Skimmie Scoop . . . https://www.amazon.com/Skimmie-Scoop-Suction-Fountains-Infinity/dp/B08XNY74H7/ref=sr_1_1?keywords=skimmy+scoop&qid=1639624621&sr=8-1 (Year: 2021).*

* cited by examiner

Primary Examiner — Catherine R Oliver-Garcia

(57) **CLAIM**

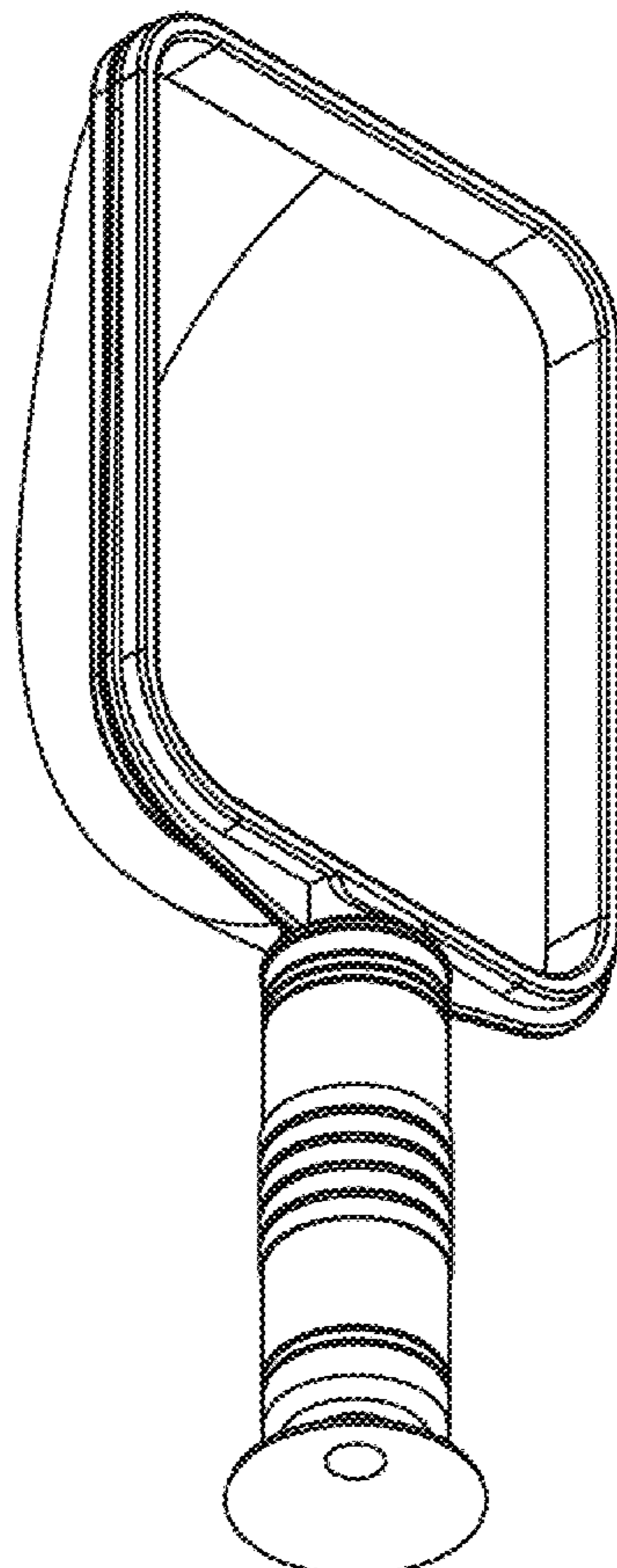
The ornamental design for a net with suction cup handle, as shown and described.

DESCRIPTION

FIG. 1: is a front elevation view for a net with suction cup handle according to my new design;
FIG. 2: is a back elevation view thereof;
FIG. 3: is a left elevation view thereof;
FIG. 4: is a right elevation view thereof;
FIG. 5: is an enlarged bottom view thereof;
FIG. 6: is enlarged top view thereof; and,
FIG. 7: is a perspective view thereof.

The design of the net with suction cap handle provides suction to a flat surface to hold the net and handle in place. The net frame is rectangle in shape to collect debris. The handle is cylinder shape to grab and hold and is attached to the net. The suction cup is cone shape and attached to the handle.

1 Claim, 7 Drawing Sheets



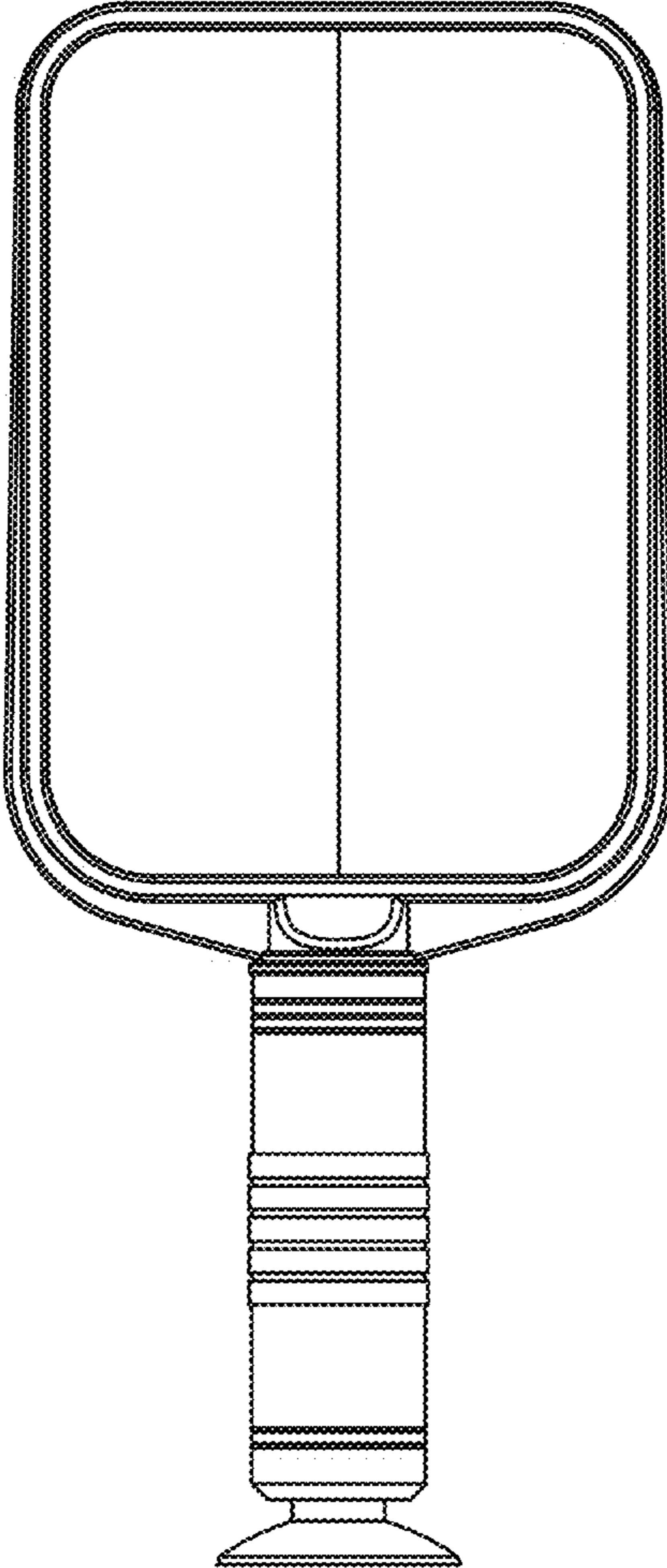


Figure 1

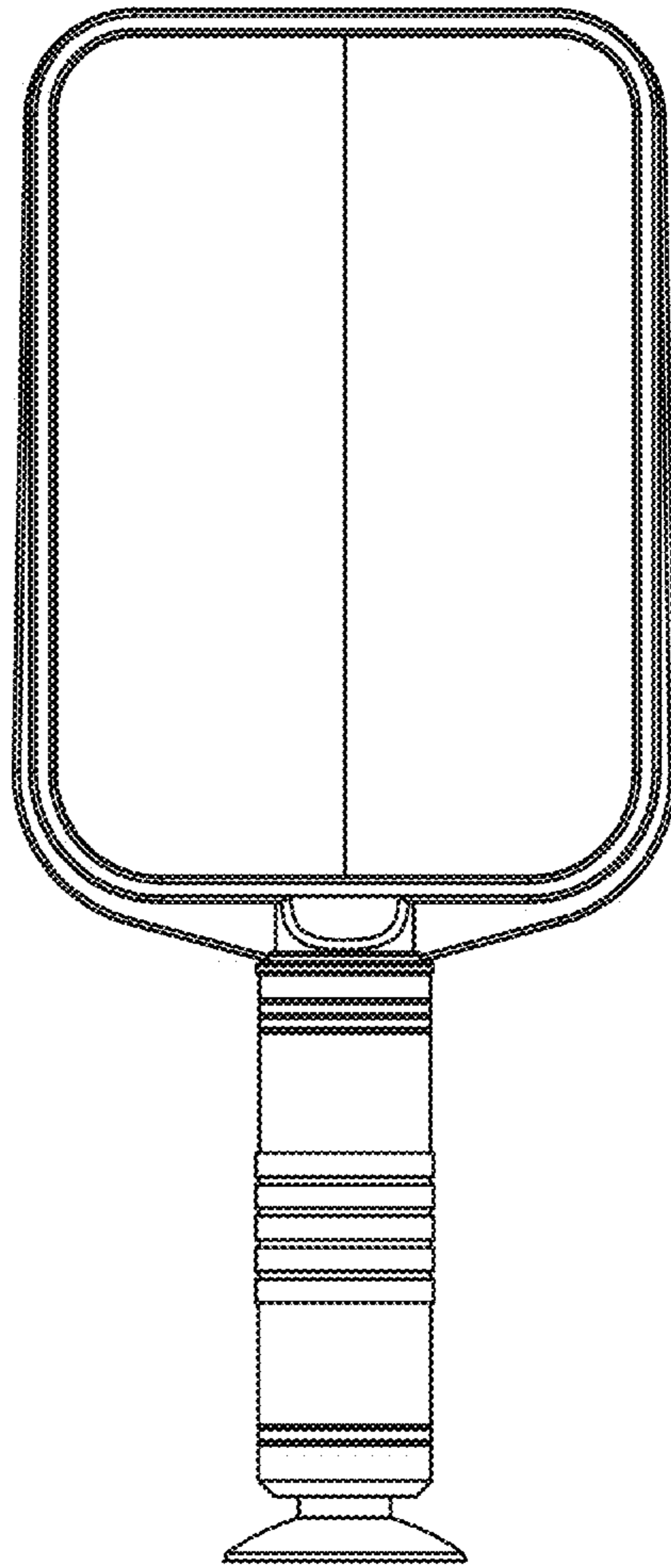


Figure 2

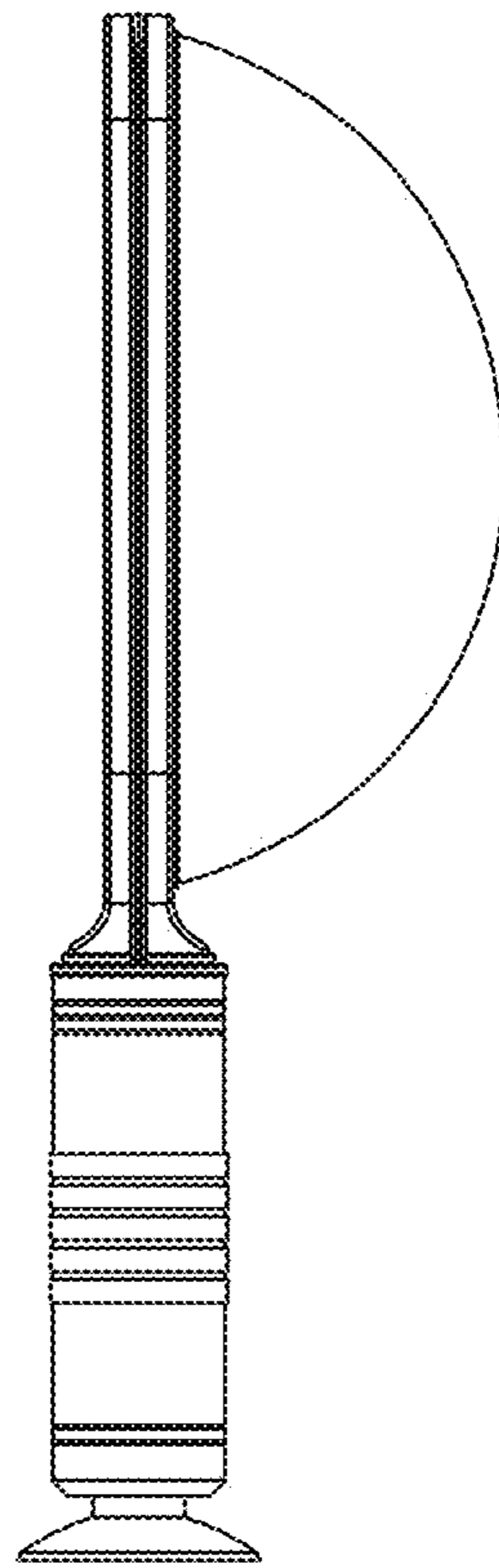


Figure 3

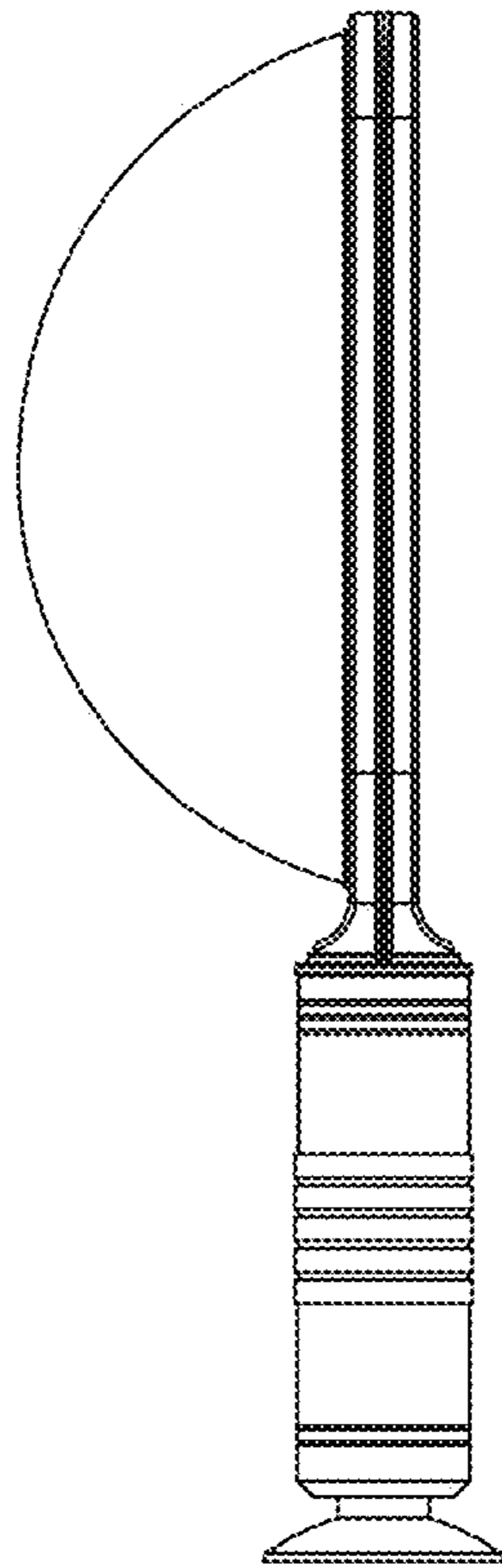
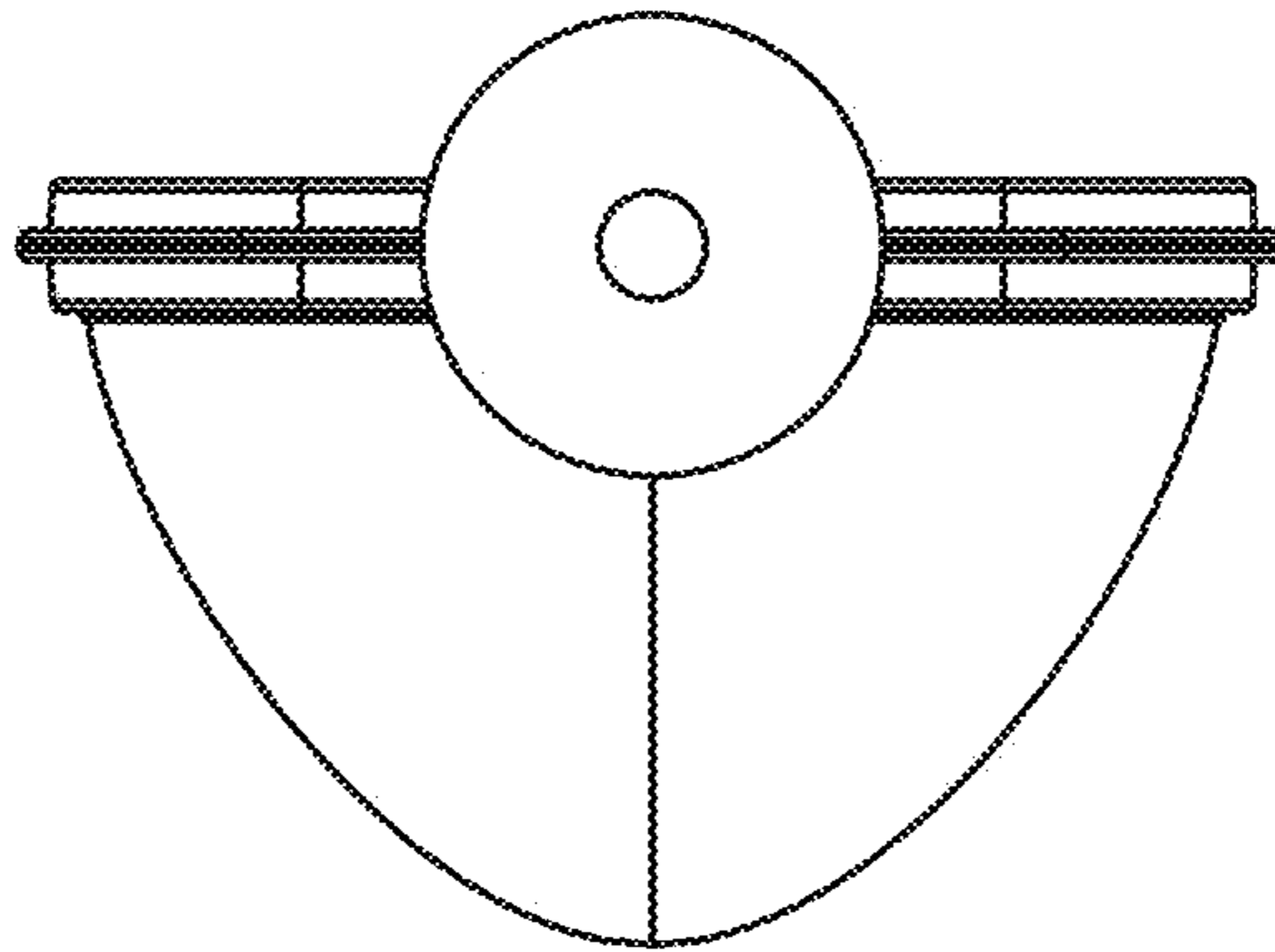


Figure 4

Figure 5



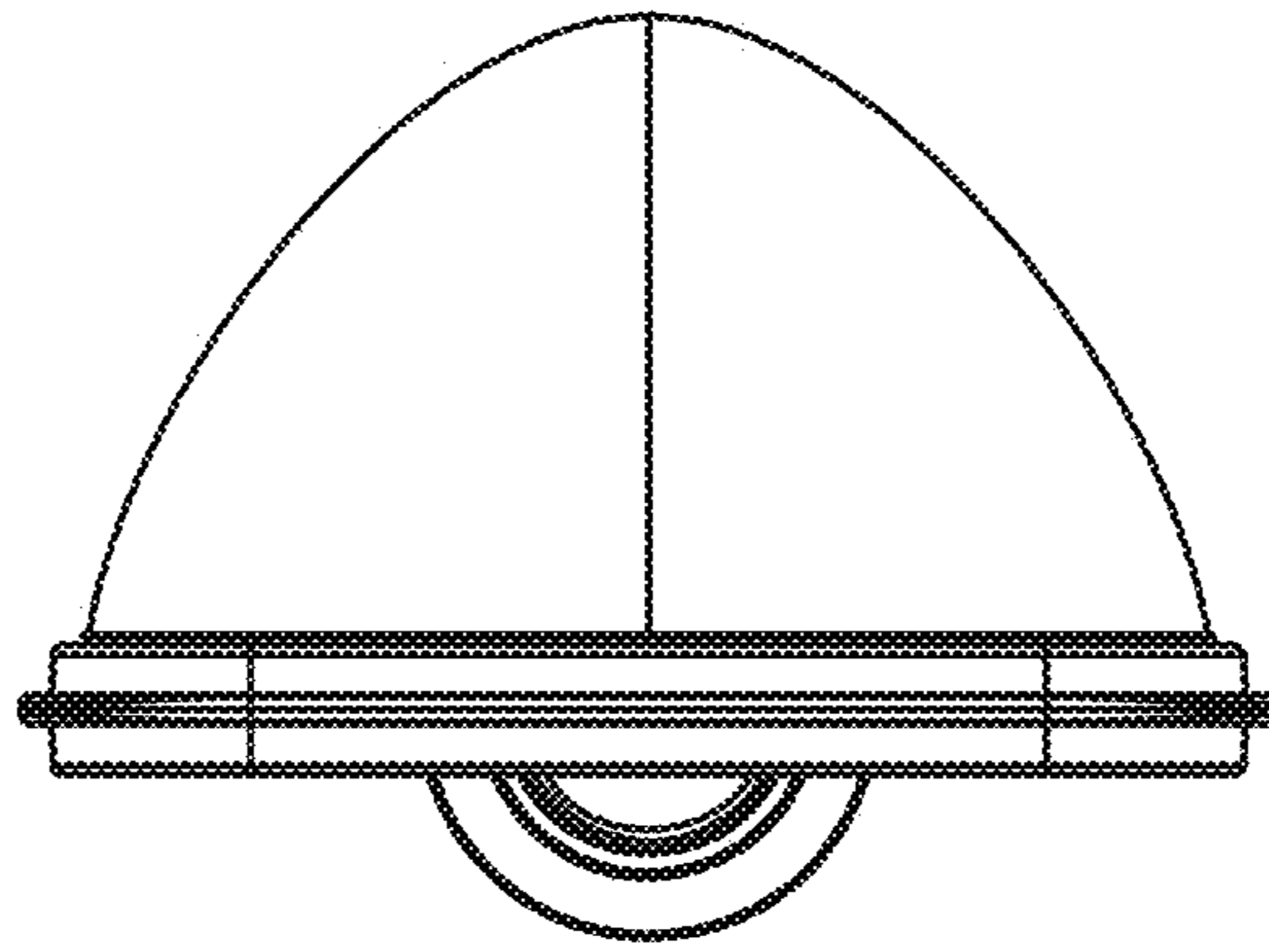


Figure 6

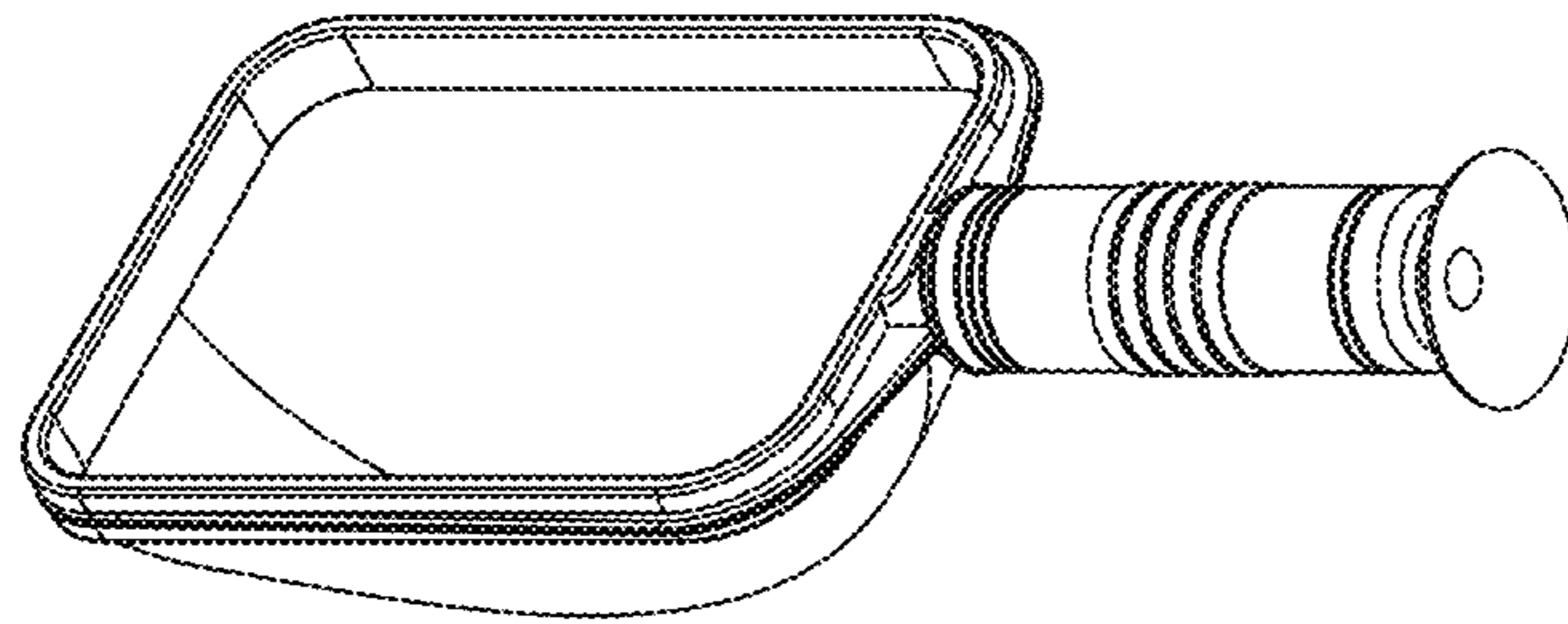


Figure 7