

US00D943850S

(12) **United States Design Patent**  
**Knapp et al.**

(10) **Patent No.:** **US D943,850 S**  
(45) **Date of Patent:** **\*\* \*Feb. 15, 2022**

(54) **VACUUM CLEANER**

FOREIGN PATENT DOCUMENTS

(71) Applicant: **BISSELL Inc.**, Grand Rapids, MI (US)

CN 302726068 \* 1/2014  
CN 302974171 \* 10/2014

(72) Inventors: **Mackenzie L. Knapp**, Saranac, MI (US); **Derek E. Smith**, Grand Rapids, MI (US)

(Continued)

(73) Assignee: **BISSELL Inc.**, Grand Rapids, MI (US)

OTHER PUBLICATIONS

(\*) Notice: This patent is subject to a terminal disclaimer.

Eureka NEU182B, available in Amazon.com, customer review oldest date Feb. 4, 2020 [online], [site visited Jan. 12, 2021], Available from the internet URL: [https://www.amazon.com/Eureka-PowerSpeed-Bagless-Upright-Cleaner/dp/B083C2DTKX/ref=cm\\_cr\\_arp\\_d\\_product\\_top?ie=UTF8&th=1](https://www.amazon.com/Eureka-PowerSpeed-Bagless-Upright-Cleaner/dp/B083C2DTKX/ref=cm_cr_arp_d_product_top?ie=UTF8&th=1) (Year: 2020).\*

(\*\*) Term: **15 Years**

(Continued)

(21) Appl. No.: **29/687,176**

*Primary Examiner* — Dana K Weiland  
*Assistant Examiner* — Jennylou M Binas

(22) Filed: **Apr. 11, 2019**

(74) *Attorney, Agent, or Firm* — Warner Norcross + Judd LLP

(51) **LOC (13) Cl.** ..... **15-05**

(52) **U.S. Cl.**  
USPC ..... **D32/22**

(57) **CLAIM**

(58) **Field of Classification Search**

The ornamental design for a vacuum cleaner, as shown and described.

USPC ..... D32/17, 18, 21, 22, 23, 24, 31; D21/526  
CPC ..... A46B 9/06; A47L 5/24; A47L 5/28; A47L 5/30; A47L 5/34; A47L 7/0004; A47L 9/04; A47L 9/325; A47L 9/1683; A47L 11/302; A47L 11/34; A47L 11/4005; A47L 11/4008; A47L 11/4016; A47L 11/4041; A47L 11/4044; A47L 11/4088; A47L 13/225; B04C 5/185; B08B 3/04; B23Q 11/0046; B23Q 11/0071; E04H 4/1636

**DESCRIPTION**

See application file for complete search history.

FIG. 1 is a front perspective view of a vacuum cleaner showing our new design;  
FIG. 2 is a front view thereof;  
FIG. 3 is a left side view thereof;  
FIG. 4 is a right side view thereof;  
FIG. 5 is an enlarged top view thereof;  
FIG. 6 is an enlarged view of the encircled portion in FIG. 1; and,  
FIG. 7 is an enlarged view of the encircled portion in FIG. 2.

(56) **References Cited**

The details shown in broken lines form no part of the claimed design.

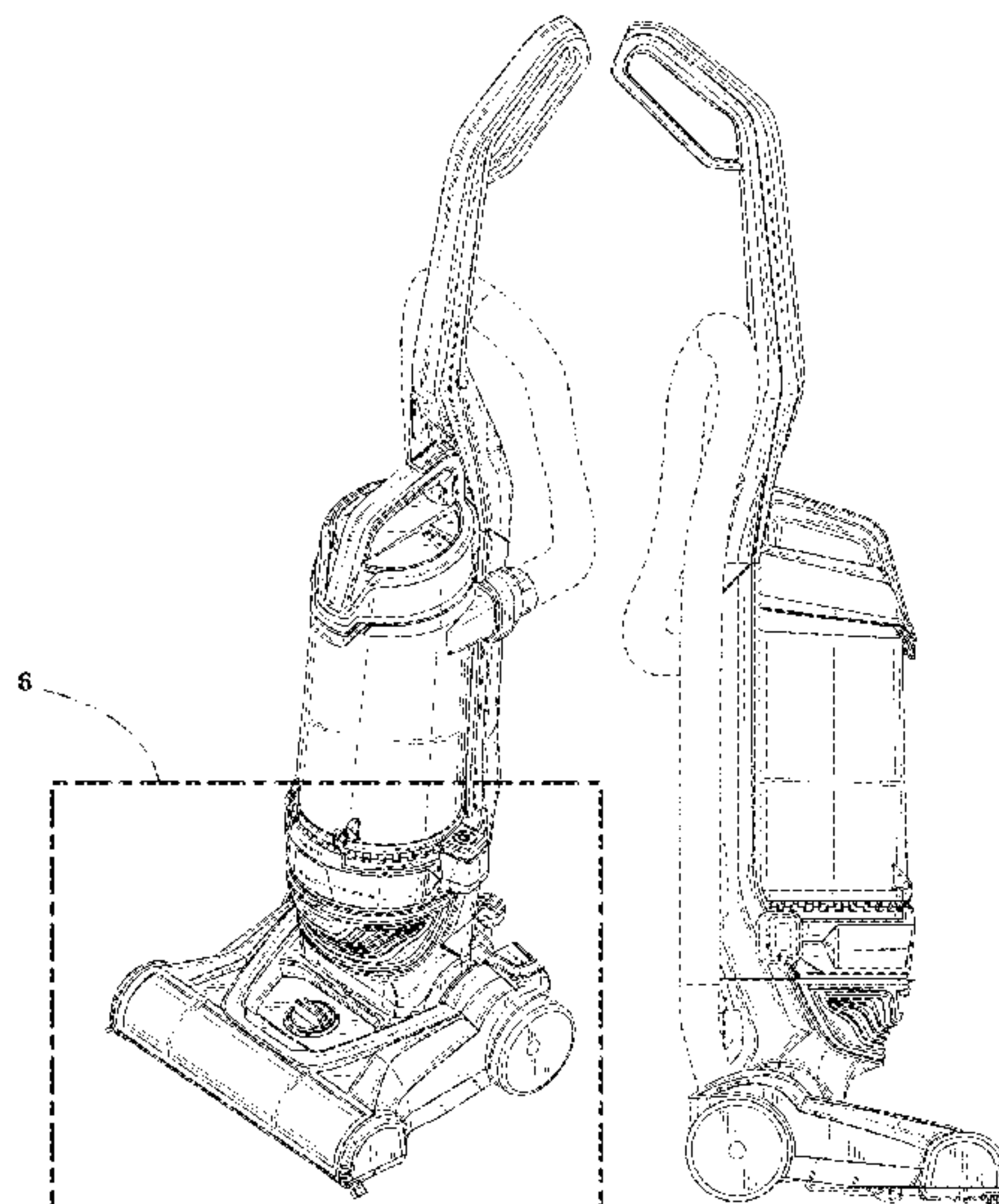
U.S. PATENT DOCUMENTS

The details of the vacuum cleaner shown in broken lines form no part of the claimed design. The dot-dashed broken line in FIGS. 1-2 and 6-7 show the boundary of the enlarged view and forms no part of the claimed design.

D730,001 S \* 5/2015 Yun ..... D32/22  
D759,919 S \* 6/2016 Smith ..... D32/31  
D789,626 S \* 6/2017 Bloemendaal ..... D32/22  
D821,047 S \* 6/2018 Wroblewski ..... D32/31

(Continued)

**1 Claim, 7 Drawing Sheets**



(56)

References Cited

U.S. PATENT DOCUMENTS

D824,615 S \* 7/2018 Bloemendaal ..... D32/22  
 D874,762 S \* 2/2020 Tang ..... D32/22  
 10,791,900 B2 \* 10/2020 Tran ..... A47L 9/0494  
 10,827,888 B2 \* 11/2020 Morrow ..... A47L 9/04  
 D910,945 S \* 2/2021 Miller ..... D32/31  
 D917,810 S \* 4/2021 Knapp ..... D32/22  
 10,966,586 B2 \* 4/2021 Luyckx ..... A47L 11/4025  
 10,986,968 B2 \* 4/2021 Kasper ..... A47L 9/1683  
 11,019,966 B2 \* 6/2021 Ashbaugh ..... A47L 11/201  
 D924,504 S \* 7/2021 Knapp ..... D32/21  
 D924,505 S \* 7/2021 Knapp ..... D32/21  
 D926,401 S \* 7/2021 Knapp ..... D32/22  
 D926,405 S \* 7/2021 Haverkamp ..... D32/31  
 D928,432 S \* 8/2021 Knapp ..... D32/22  
 D928,433 S \* 8/2021 Knapp ..... D32/22  
 D928,435 S \* 8/2021 Knapp ..... D32/22  
 2013/0117961 A1 \* 5/2013 Doerfler ..... A47L 5/28  
 15/323  
 2014/0013537 A1 \* 1/2014 Kasper ..... A47L 9/24  
 15/353  
 2015/0059123 A1 \* 3/2015 Kasper ..... A47L 9/0633  
 15/383  
 2015/0074939 A1 \* 3/2015 Cipolla ..... A47L 5/30  
 15/354  
 2015/0143659 A1 \* 5/2015 Pilch ..... A47L 9/325  
 15/347  
 2016/0037987 A1 \* 2/2016 Caro ..... A47L 9/04  
 15/334  
 2016/0270610 A1 \* 9/2016 Kasper ..... A47L 9/0411  
 2016/0367093 A1 \* 12/2016 VanTongeren ..... A47L 5/30  
 2017/0119225 A1 \* 5/2017 Xia ..... A47L 5/28  
 2017/0135540 A1 \* 5/2017 Newsom ..... A47L 9/04  
 2018/0177368 A1 \* 6/2018 Acker ..... A47L 9/165  
 2019/0059673 A1 \* 2/2019 Tran ..... A47L 9/0494  
 2020/0046189 A1 \* 2/2020 Casella ..... A47L 9/1616  
 2021/0045606 A1 \* 2/2021 Xia ..... A47L 11/18  
 2021/0052118 A1 \* 2/2021 Morrow ..... A47L 9/04  
 2021/0093143 A1 \* 4/2021 Nguyen ..... A47L 11/292  
 2021/0137332 A1 \* 5/2021 Kasper ..... A47L 9/0633  
 2021/0153708 A1 \* 5/2021 Xia ..... A46B 1/00

FOREIGN PATENT DOCUMENTS

CN 303479948 \* 12/2015  
 CN 303579405 \* 2/2016  
 CN 303806074 \* 8/2016

OTHER PUBLICATIONS

Hoover WindTunnel Upright Vacuum, available in Amazon.com, customer review oldest date May 5, 2019 [online], [site visited Jan. 12, 2021], URL: [https://www.amazon.com/Hoover-WindTunnel-Performance-Powerful-UH72625/dp/B07MFM81RX/ref=cm\\_cr\\_arp\\_d\\_product\\_top?ie=UTF8](https://www.amazon.com/Hoover-WindTunnel-Performance-Powerful-UH72625/dp/B07MFM81RX/ref=cm_cr_arp_d_product_top?ie=UTF8) (Year: 2019).\*

Bissell Cleanview Bagless Vacuum Cleaner, available in Amazon.com, customer review oldest date Jan. 19, 2019 [online], [site visited Jan. 12, 2021], Available from the internet URL: [https://www.amazon.com/BISSELL-Cleanview-Bagless-Cleaner-2486/dp/B07L69RL4B/ref=cm\\_cr\\_arp\\_d\\_product\\_top?ie=UTF8&th=1](https://www.amazon.com/BISSELL-Cleanview-Bagless-Cleaner-2486/dp/B07L69RL4B/ref=cm_cr_arp_d_product_top?ie=UTF8&th=1) (Year: 2019).\*

Bissell Cleanview Swivel Pet Vacuum Cleaner, available in Amazon.com, customer review oldest date Sep. 24, 2018 [online], [site visited Jan. 12, 2021], Available from the internet URL: [https://www.amazon.com/BISSELL-Cleanview-Upright-Bagless-2252/dp/B07F6N3RT6/ref=cm\\_cr\\_arp\\_d\\_product\\_top?ie=UTF8](https://www.amazon.com/BISSELL-Cleanview-Upright-Bagless-2252/dp/B07F6N3RT6/ref=cm_cr_arp_d_product_top?ie=UTF8) (Year: 2018).\*

Bissell Cleanview Swivel Rewind Pet Vacuum Cleaner, available in Amazon.com, customer review oldest date Oct. 5, 2018 [online], [site visited Jan. 12, 2021], Available from the internet URL: [https://www.amazon.com/BISSELL-Cleanview-Upright-Bagless-Cleaner/dp/B07FJ4N2S7/ref=psdc\\_510110\\_t3\\_B07F6N3RT6?th=1](https://www.amazon.com/BISSELL-Cleanview-Upright-Bagless-Cleaner/dp/B07FJ4N2S7/ref=psdc_510110_t3_B07F6N3RT6?th=1) (Year: 2018).\*

Bissell PowerLifter w/ Swivel Bagless Upright Vacuum, available in Walmart.com, customer review oldest date Aug. 19, 2018[online],[site visited Feb. 12, 2021],Available from URL: <https://www.walmart.com/ip/BISSELL-PowerLifter-Pet-with-Swivel-Bagless-Upright-Vacuum-2260/561614871?w113=5129&selectedSellerId=0> (Year: 2018).\*

Bissell Cleanview Rewind Pet Deluxe Upright Vacuum Cleaner, available in Amazon.com, customer review oldest date Feb. 27, 2019 [online], [site visited Feb. 5, 2021], Available from the internet URL: [https://www.amazon.com/dp/B07LGS8CX2/ref=emc\\_b\\_5\\_t?th=1](https://www.amazon.com/dp/B07LGS8CX2/ref=emc_b_5_t?th=1) (Year: 2019).\*

\* cited by examiner



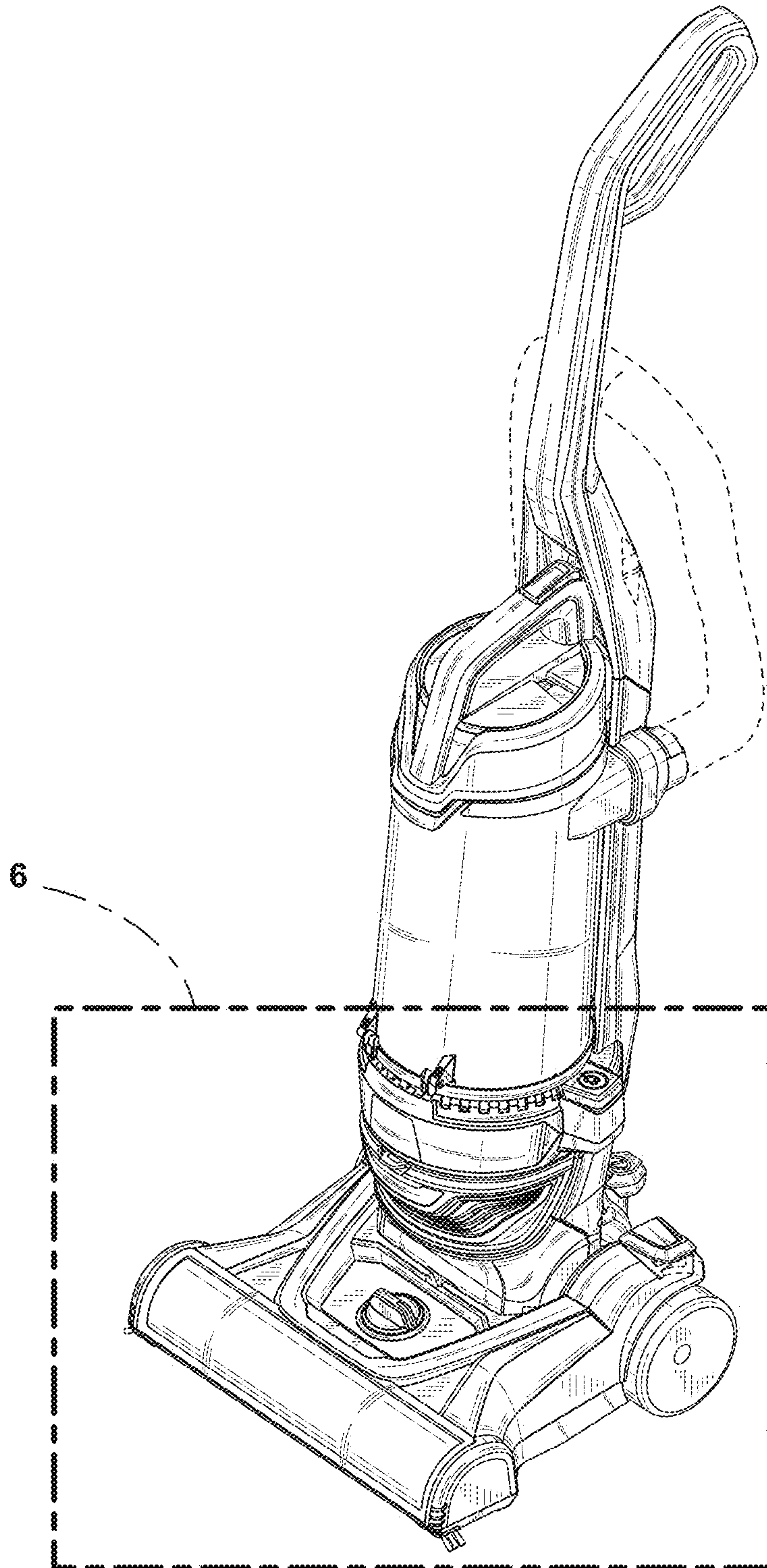


FIG. 1

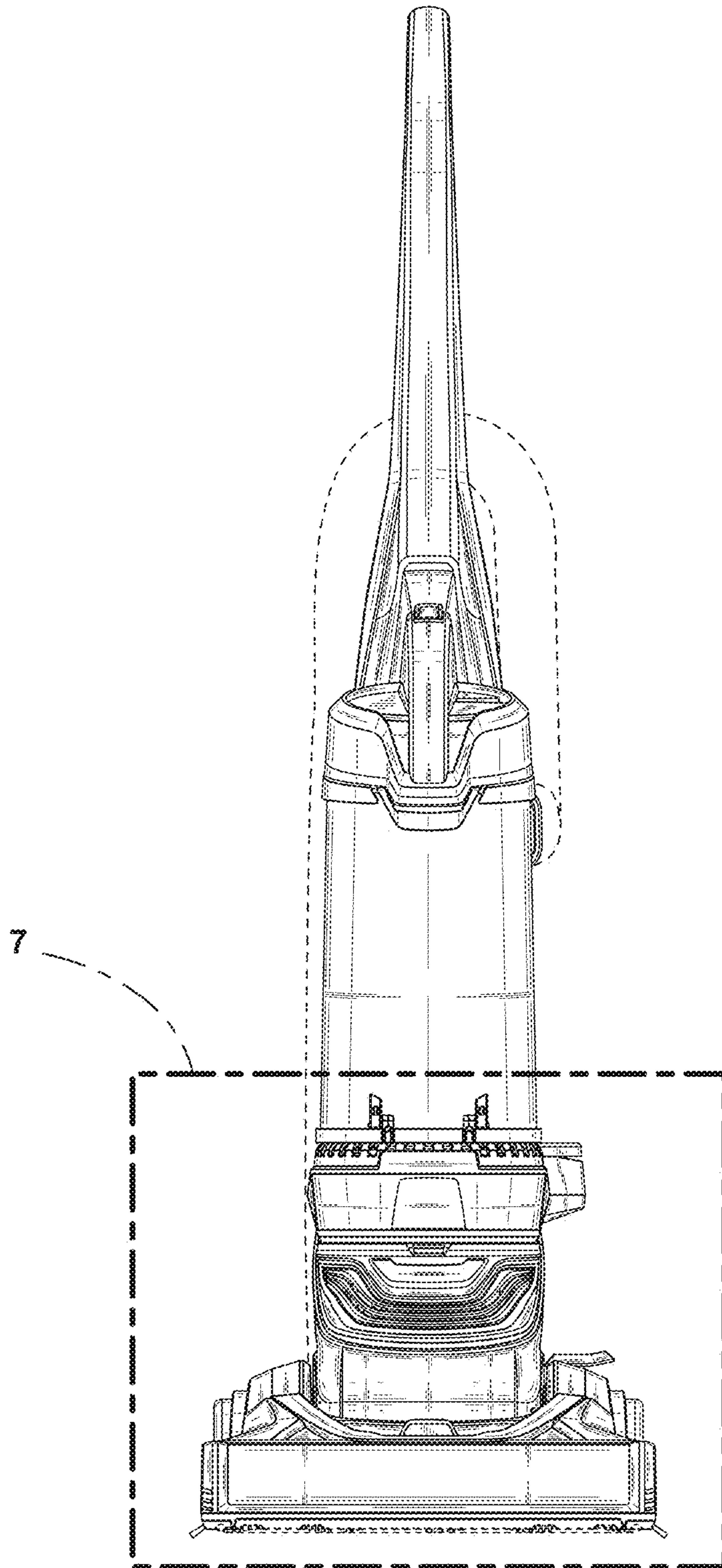
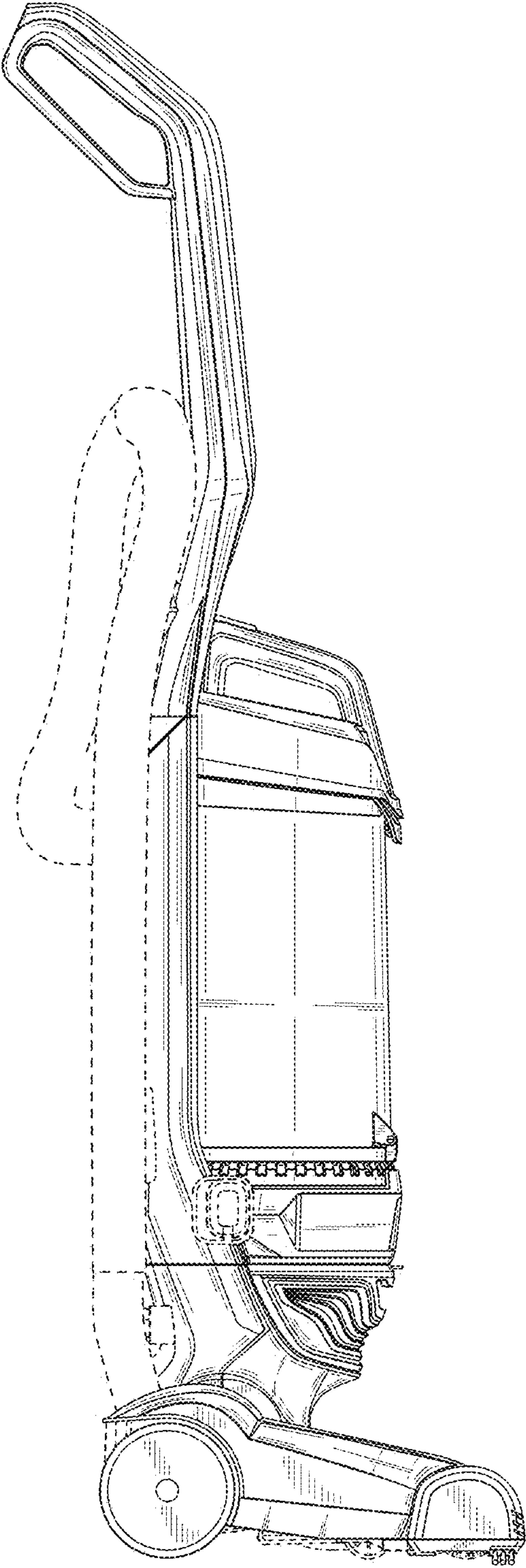
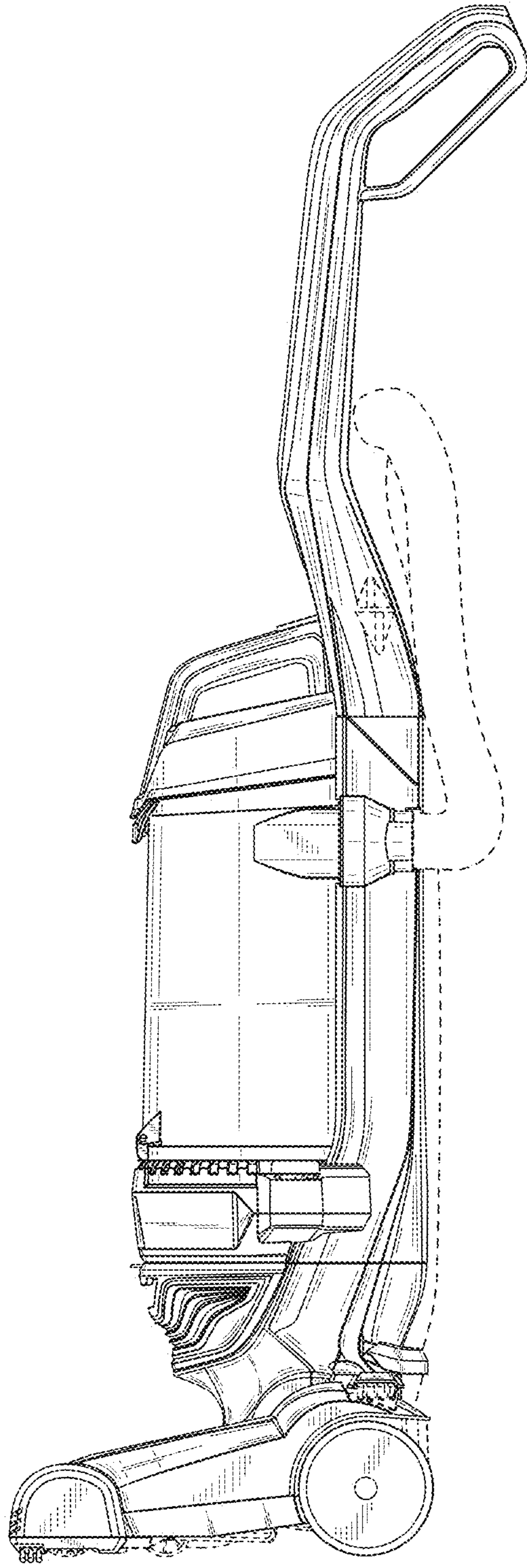


FIG. 2

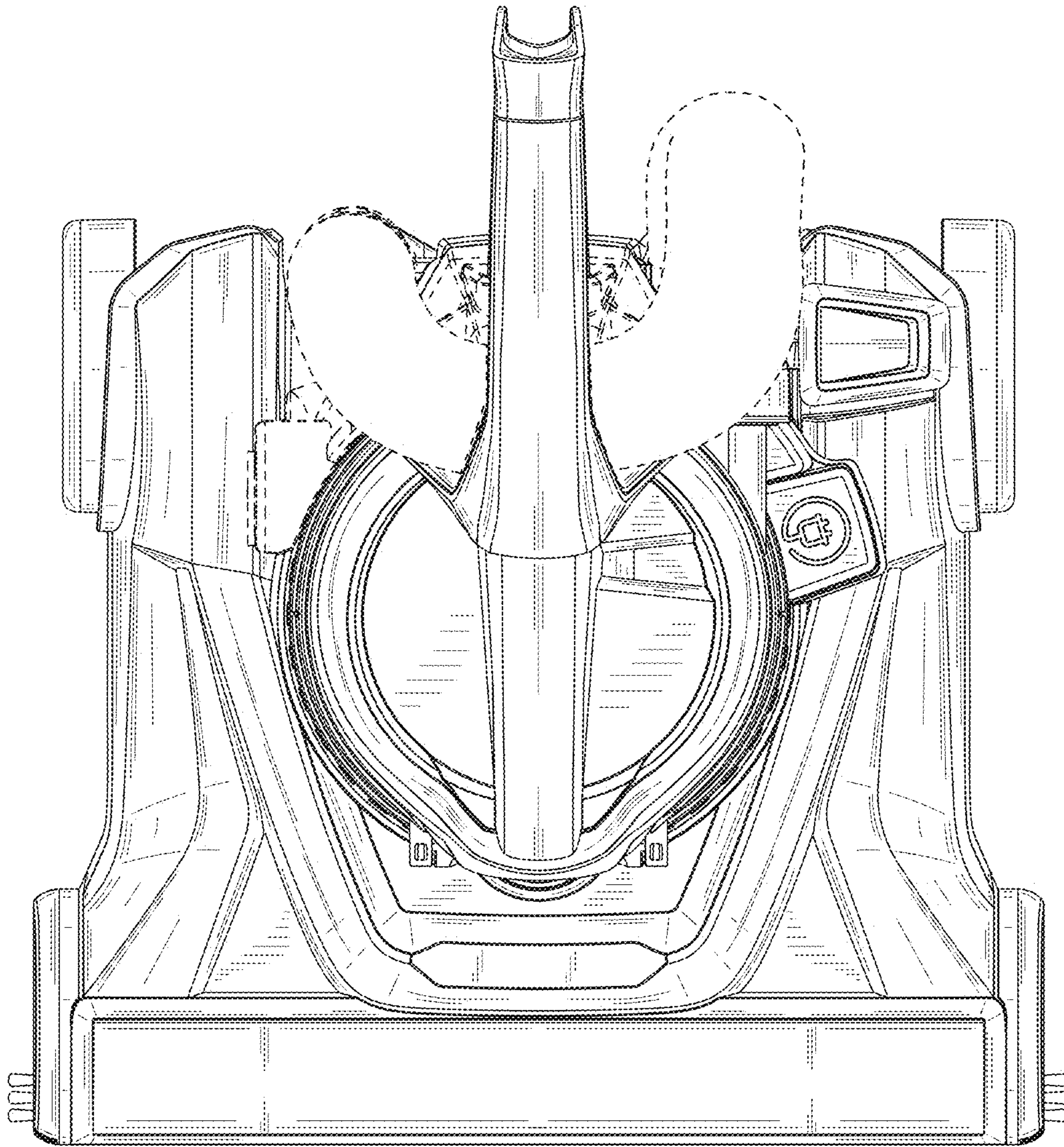


**FIG. 3**



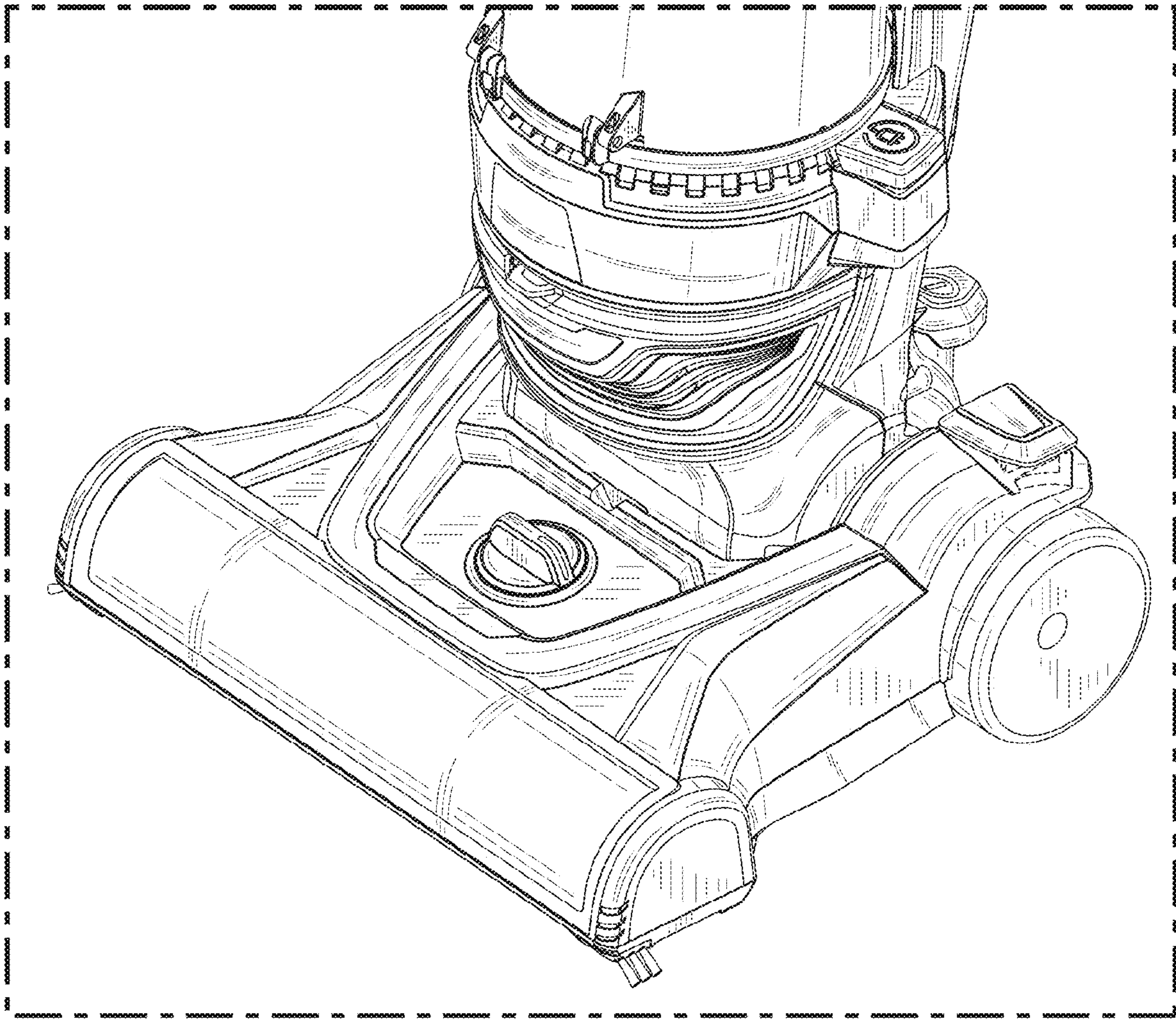


**FIG. 4**



**FIG. 5**





**FIG. 6**



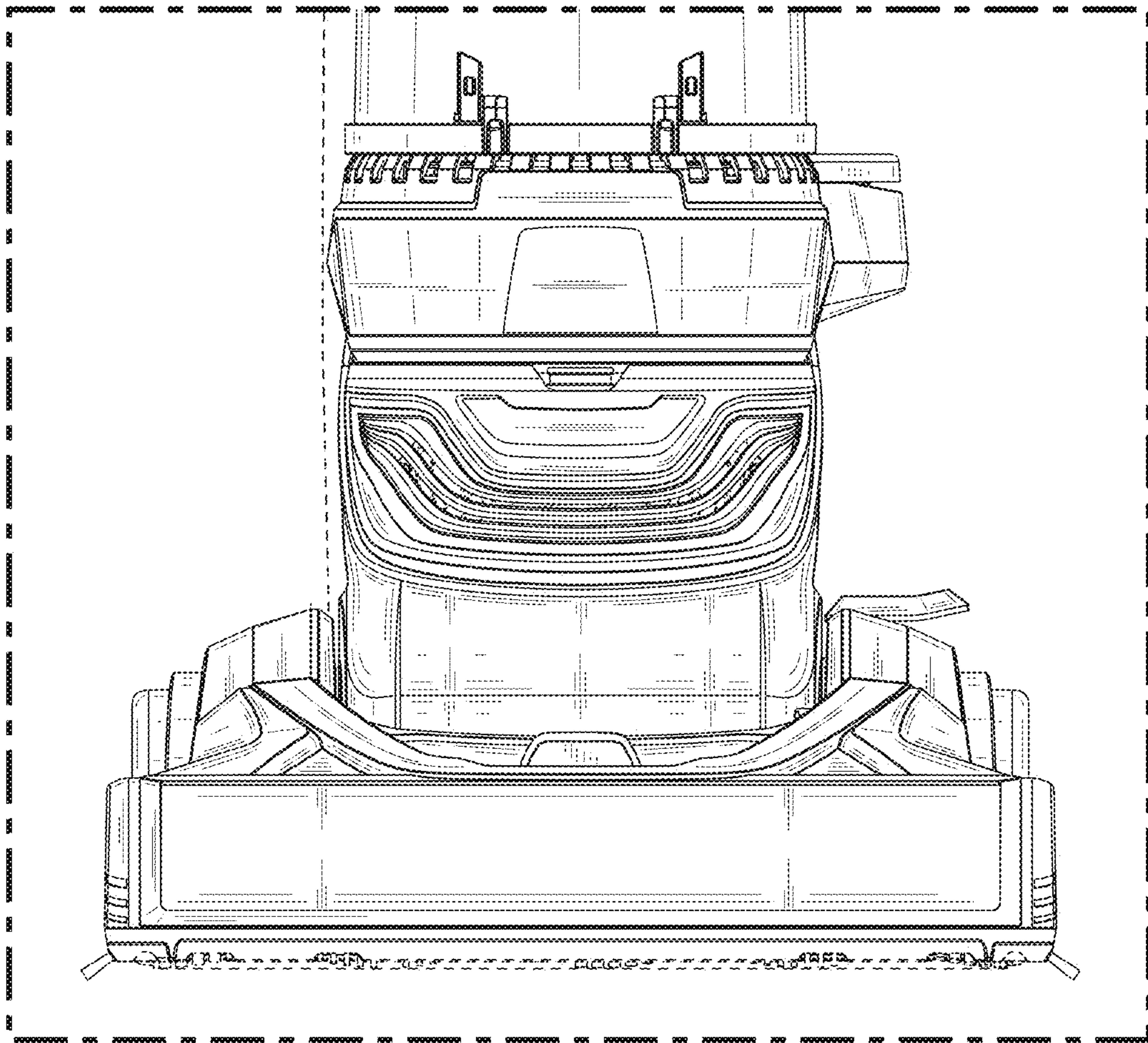


FIG. 7