



US00D943849S

(12) **United States Design Patent** (10) **Patent No.:** **US D943,849 S**
D'Aguanno (45) **Date of Patent:** **** Feb. 15, 2022**

(54) **LIQUID-SUBMERSIBLE VACUUM CLEANER**

(71) Applicant: **Matthew P. D'Aguanno**, Port Washington, NY (US)

(72) Inventor: **Matthew P. D'Aguanno**, Port Washington, NY (US)

(**) Term: **15 Years**

(21) Appl. No.: **29/722,125**

(22) Filed: **Jan. 27, 2020**

(51) **LOC (13) Cl.** **15-05**

(52) **U.S. Cl.**
USPC **D32/21**

(58) **Field of Classification Search**
USPC D32/15, 18, 21, 23, 25, 31, 33; D15/28; D12/501; D8/375
CPC E04H 4/1645; E04H 4/1636; E04H 4/14; E04H 4/1681; E04H 4/1272; E04H 4/1672; E04H 4/1618; C02F 1/001; F16G 11/10; B01D 29/15; F04B 33/00; A01K 13/001
See application file for complete search history.

(56) **References Cited**

U.S. PATENT DOCUMENTS

3,572,784	A	3/1971	Pansini	
3,755,843	A *	9/1973	Goertzen, III	E04H 4/1636 15/1.7
3,868,739	A	3/1975	Hargrave	
4,240,173	A	12/1980	Sherrill	
4,637,086	A	1/1987	Goode	
4,718,129	A	1/1988	Miller	
4,962,559	A *	10/1990	Schuman	E04H 4/1618 15/1.7
5,111,129	A *	5/1992	Schuman	E04H 4/1618 200/52 R
5,165,877	A *	11/1992	Colin	F04B 33/00 417/435

5,317,776	A	6/1994	DeMoura	
6,305,325	B1 *	10/2001	Sullivan	A01K 13/001 119/600
6,539,573	B1	4/2003	Caccavella	
6,797,157	B2	9/2004	Erlich	
6,922,855	B1 *	8/2005	Swalley	E04H 4/1672 4/490
6,939,460	B2	9/2005	Erlich	
6,962,655	B1 *	11/2005	Gjerstad	B01D 29/15 210/167.12

(Continued)

OTHER PUBLICATIONS

Vacdaddy https://www.amazon.com/VacDaddy-Powerful-Portable-Pool-Vac/dp/B093J273DV/ref=asc_df_B093J273DV/ (Year: 2021).*

(Continued)

Primary Examiner — Michelle E. Wilson
Assistant Examiner — Richard E Yenchesky
(74) *Attorney, Agent, or Firm* — Carter, DeLuca & Farrell LLP; George Likourezos

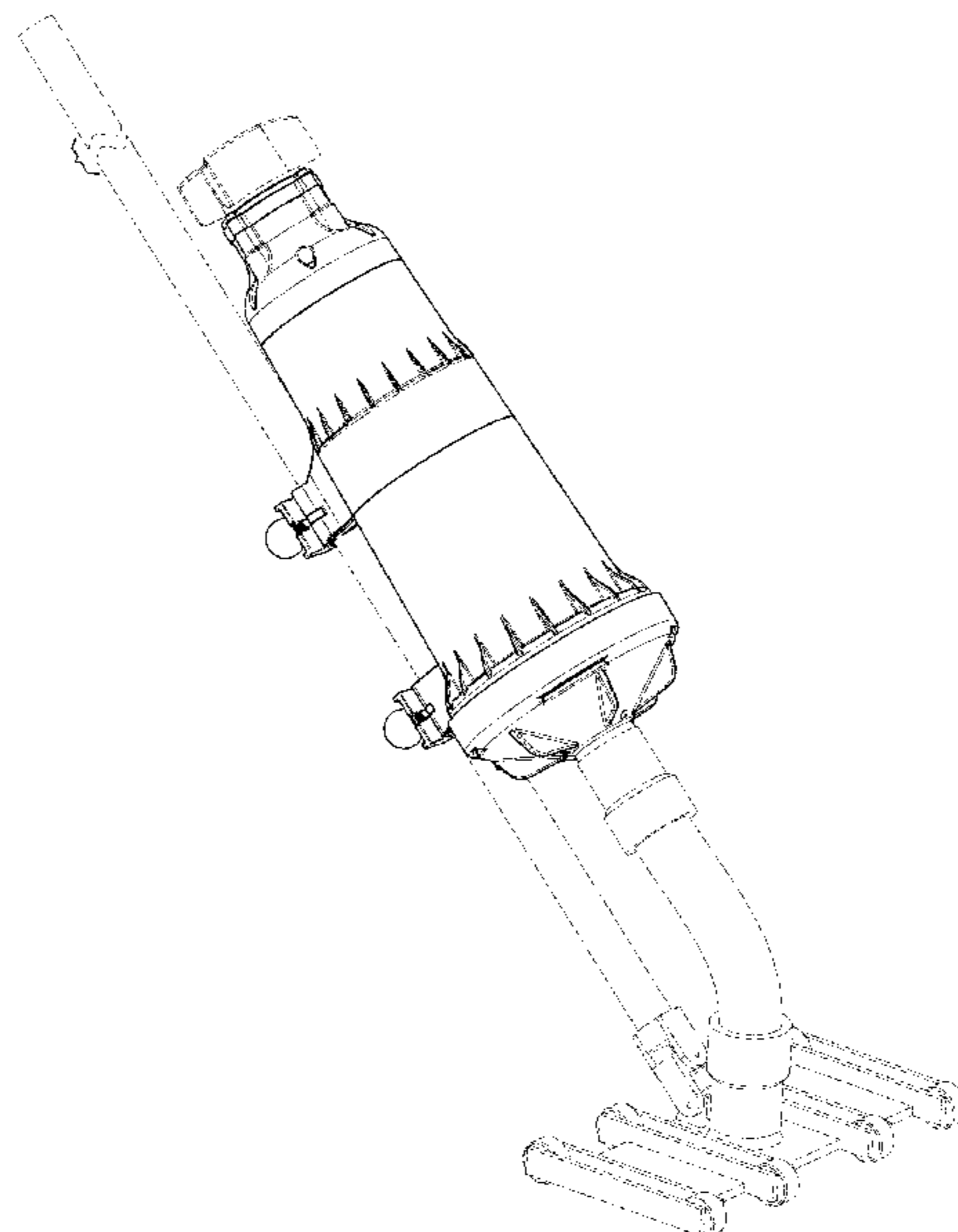
(57) **CLAIM**

The ornamental design for a liquid-submersible vacuum cleaner, as shown and described.

DESCRIPTION

FIG. 1 is a perspective view of a liquid-submersible vacuum cleaner in accordance with the present design;
FIG. 2 is a front view thereof;
FIG. 3 is a rear view thereof;
FIG. 4 is a top view thereof;
FIG. 5 is a bottom view thereof;
FIG. 6 is a right view thereof; and,
FIG. 7 is a left view thereof.
The broken lines shown in the drawings illustrate portions of the liquid-submersible vacuum cleaner that form no part of the claimed design.

1 Claim, 7 Drawing Sheets



(56)

References Cited

U.S. PATENT DOCUMENTS

6,974,103 B1 * 12/2005 Pansini E04H 4/1681
 134/167 R
 D518,253 S 3/2006 Erlich et al.
 D522,191 S * 5/2006 Erlich D32/18
 7,060,182 B2 6/2006 Erlich et al.
 D525,002 S * 7/2006 Wiedemann D32/23
 7,437,790 B1 10/2008 Ajello
 7,520,015 B1 4/2009 Ajello
 8,281,441 B1 10/2012 Erlich et al.
 D685,542 S 7/2013 Erlich et al.
 D720,101 S 12/2014 Erlich et al.
 9,982,452 B2 * 5/2018 Hui E04H 4/1618
 10,174,516 B2 1/2019 D'Aguanno
 D926,405 S * 7/2021 Haverkamp D32/31
 2003/0159723 A1 8/2003 Hui
 2005/0279683 A1 12/2005 Erlich
 2006/0064825 A1 * 3/2006 Reed E04H 4/1636
 15/1.7
 2011/0000731 A1 1/2011 Boeckler

2011/0247970 A1 10/2011 Evingham
 2012/0216837 A1 * 8/2012 Kovarik C02F 1/001
 134/21
 2015/0068961 A1 * 3/2015 Zars E04H 4/1272
 210/167.11
 2016/0326763 A1 11/2016 Bruneel
 2017/0260766 A1 9/2017 Hui
 2019/0208866 A1 * 7/2019 Dietrich F16G 11/10
 2020/0047196 A1 * 2/2020 Irvine E04H 4/1681
 2020/0080331 A1 * 3/2020 Dufilho E04H 4/1636
 2020/0102765 A1 * 4/2020 Kippes E04H 4/1636
 2020/0240163 A1 * 7/2020 Cabrera E04H 4/14
 2020/0308858 A1 * 10/2020 D'Aguanno E04H 4/1645

OTHER PUBLICATIONS

International Search Report and The Written Opinion of the International Searching Authority, dated Oct. 19, 2018, corresponding to International Application No. PCT/US2018/013476; 18 total pages.

* cited by examiner

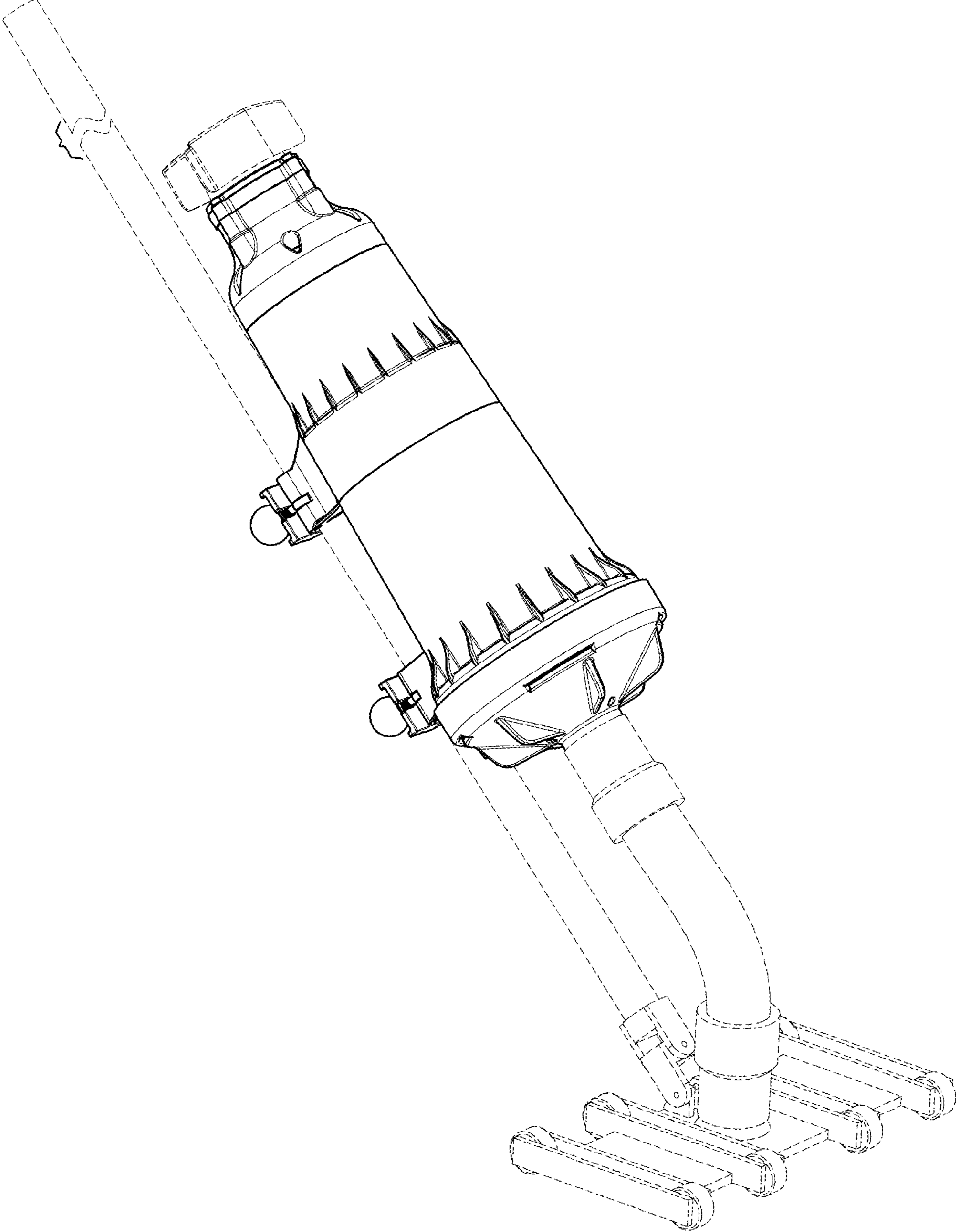


FIG. 1

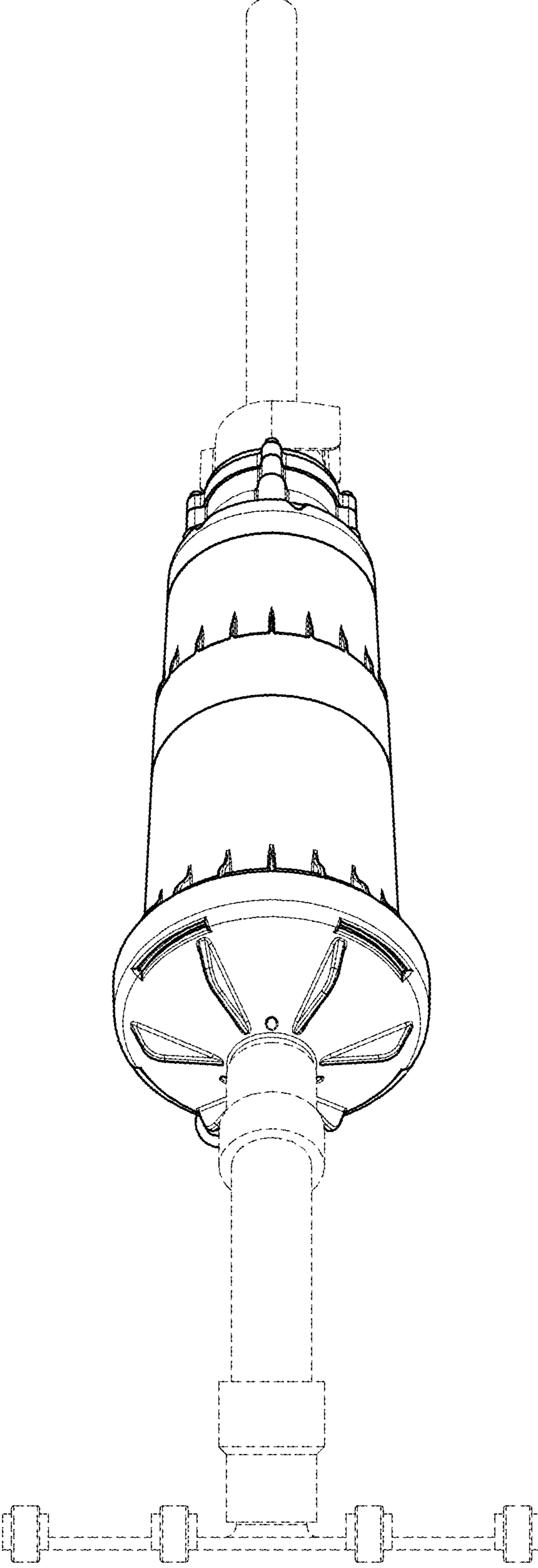


FIG. 2

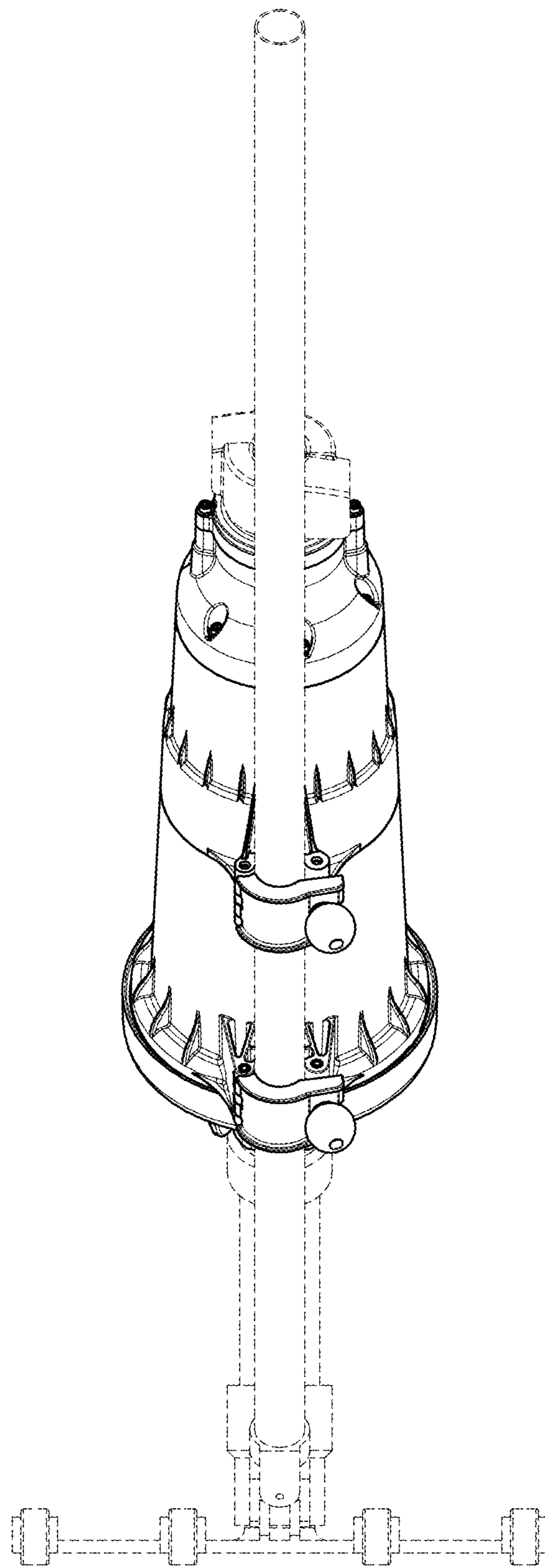


FIG. 3

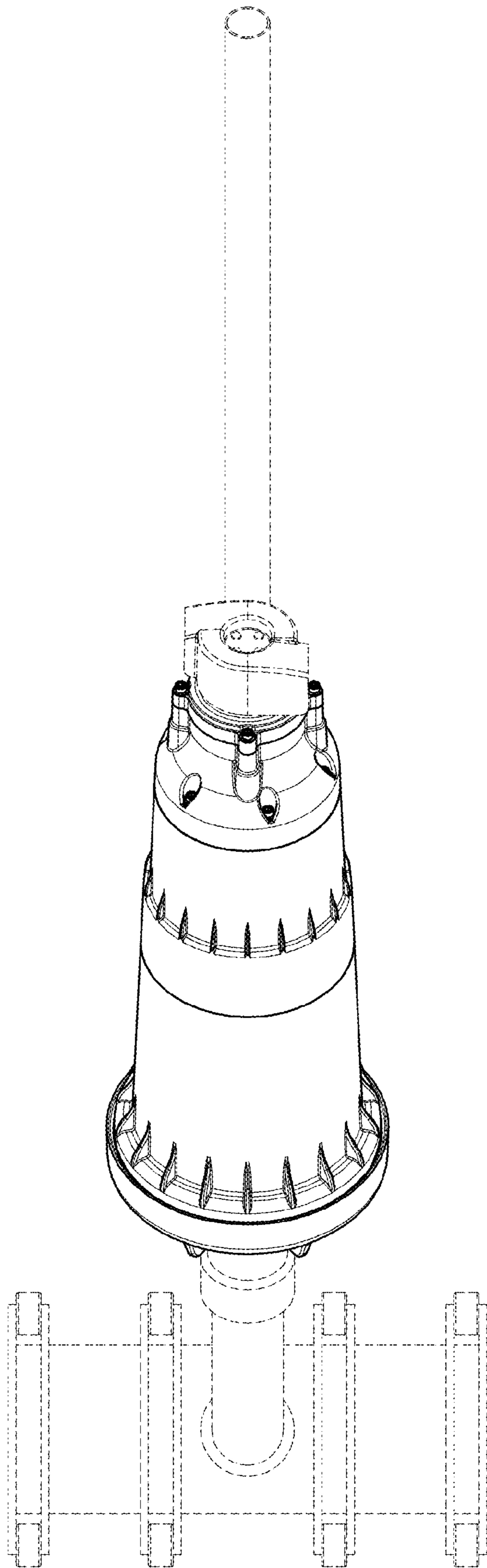


FIG. 4

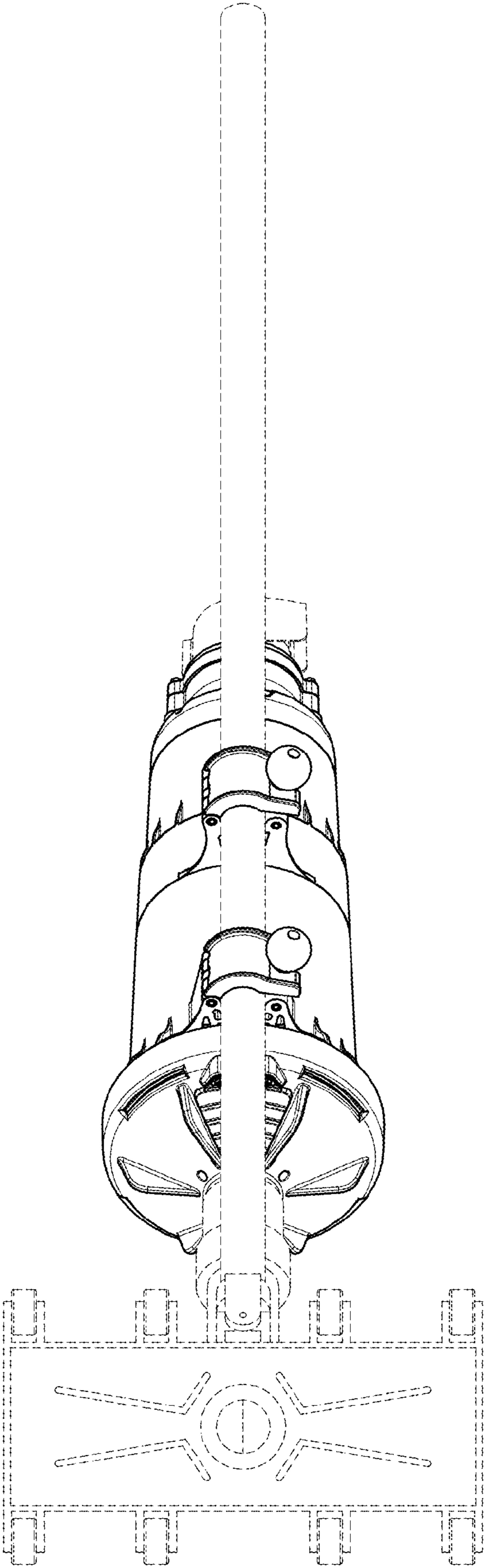


FIG. 5

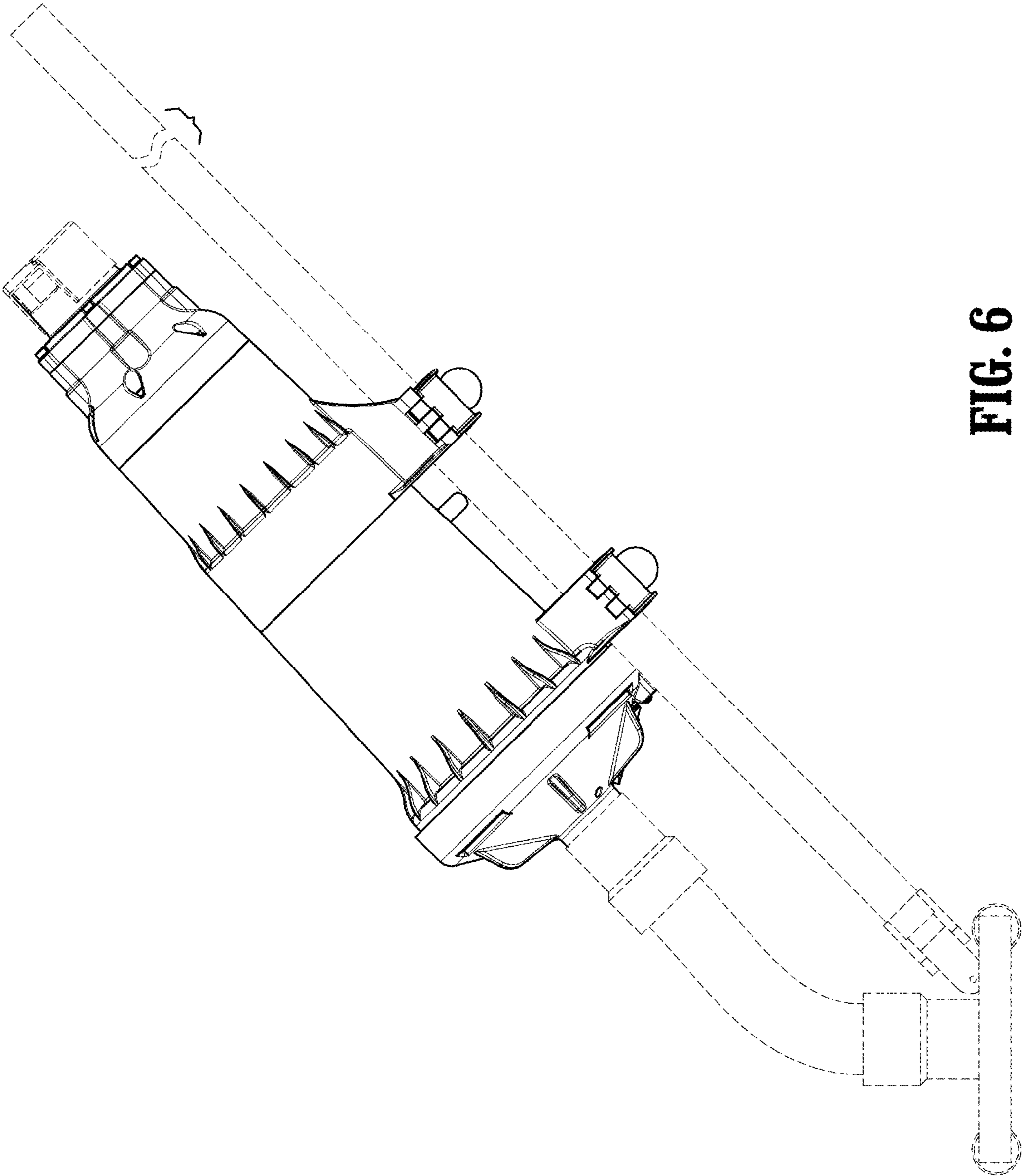


FIG. 6

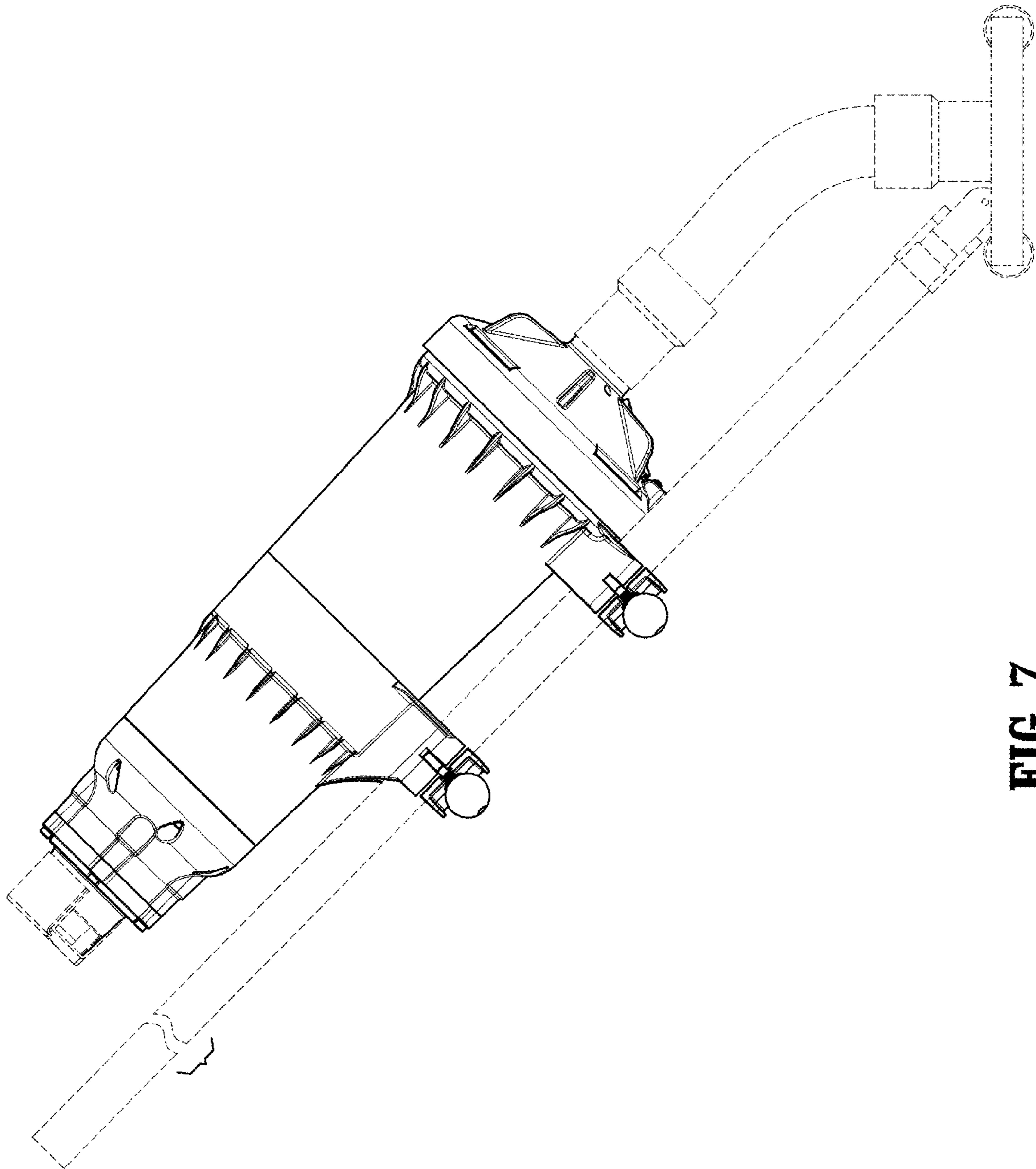


FIG. 7