



US00D943848S

(12) **United States Design Patent**
Liu

(10) **Patent No.: US D943,848 S**
(45) **Date of Patent: ** Feb. 15, 2022**

(54) **HANDHELD VACUUM CLEANER**

(71) Applicant: **Songqing Liu**, Shenzhen (CN)

(72) Inventor: **Songqing Liu**, Shenzhen (CN)

(**) Term: **15 Years**

(21) Appl. No.: **29/767,395**

(22) Filed: **Jan. 22, 2021**

(51) **LOC (13) Cl.** **15-05**

(52) **U.S. Cl.**
USPC **D32/18**

(58) **Field of Classification Search**
USPC D32/17, 18, 21, 22, 31; D21/526
CPC A47L 5/24; A47L 5/26; A47L 5/28; A47L
9/102; A47L 9/122; A47L 9/127; A47L
9/1608; A47L 9/1683; A47L 9/2857;
A47L 9/2884; A47L 9/32; A47L 9/322;
B04C 5/185; B08B 3/04; B01D 2279/55;
B23Q 11/0046; B23Q 11/0071; E04H
4/1636; Y10T 29/49716

See application file for complete search history.

(56) **References Cited**

U.S. PATENT DOCUMENTS

D220,969 S	*	6/1971	Rawson et al.	D32/18
D280,033 S	*	8/1985	Miyamoto	D32/18
D287,419 S	*	12/1986	Ling	D32/18
D290,894 S	*	7/1987	Miyamoto	D32/18
D296,486 S	*	6/1988	Staubitz	D32/22
D303,173 S	*	8/1989	Miyamoto	D32/22
D355,058 S	*	1/1995	Phelan	D32/18
D398,099 S	*	9/1998	Leung	D32/22
D404,857 S	*	1/1999	Ng	D32/18
D405,929 S	*	2/1999	Sovis	D32/22
D648,083 S	*	11/2011	Luyckx	D32/18
D651,373 S	*	12/2011	Fan	D32/18
D743,125 S	*	11/2015	Lee	D32/22
D844,265 S		3/2019	Burgess		
D862,819 S		10/2019	Xu		

(Continued)

FOREIGN PATENT DOCUMENTS

CN 306004369 * 8/2020
GB 6114077 * 1/2021

(Continued)

OTHER PUBLICATIONS

Beldray BEL0944SL Revo Cordless Handheld Vacuum Cleaner, available in Amazon.co.uk, date first available date Dec. 1, 2019 [online], [site visited date May 17, 2021], Available from the internet https://www.amazon.co.uk/Beldray-BEL0944SL-Cordless-Handheld-Cleaner/dp/B082KZ6J26/ref=sr_1_3?dchild=1&keywords=Beldray+BEL0944SL+Revo+Cordless+Handheld+Vacuum&qid=1621351492&s=kitchen&sr=1-3 (Year: 2019).*

(Continued)

Primary Examiner — Dana K Weiland

Assistant Examiner — Jennylou M Binas

(74) *Attorney, Agent, or Firm* — Rumit Ranjit Kanakia

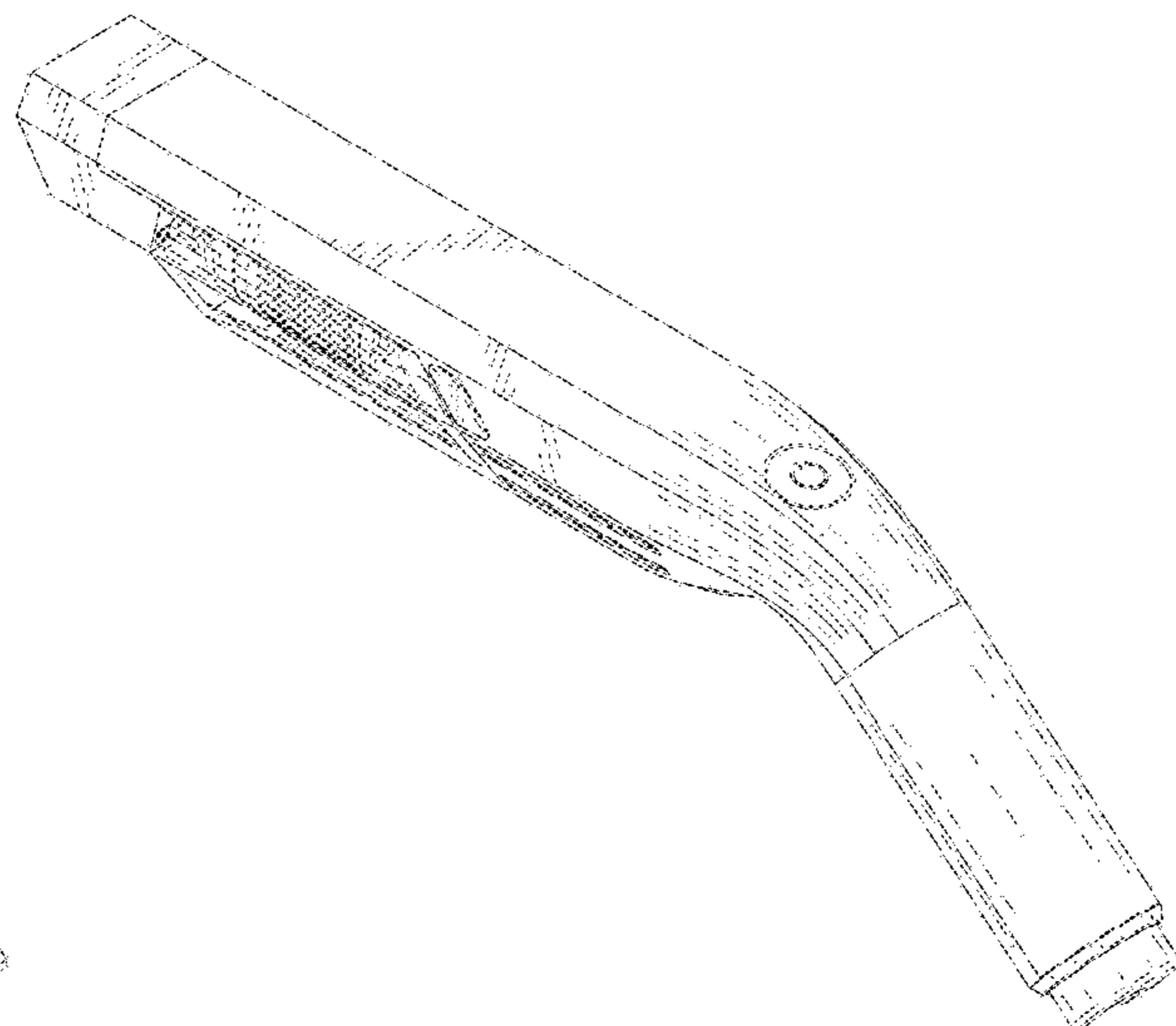
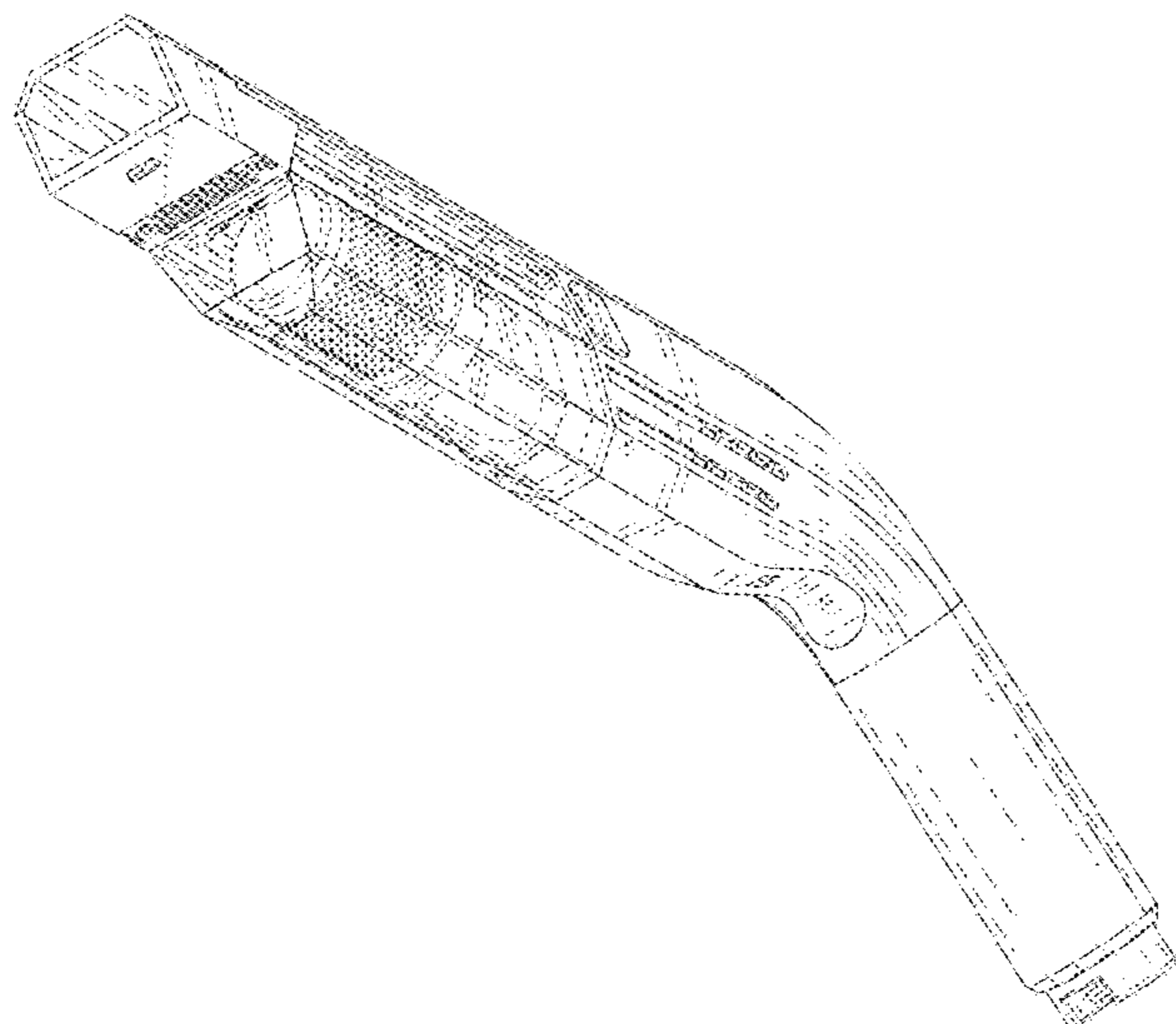
(57) **CLAIM**

The ornamental design for a handheld vacuum cleaner, as shown and described.

DESCRIPTION

FIG. 1 is a front elevational view of a handheld vacuum cleaner showing my new design;
FIG. 2 is a rear elevational view thereof;
FIG. 3 is a left elevational view thereof;
FIG. 4 is a right side view thereof;
FIG. 5 is a top side view thereof;
FIG. 6 is a bottom plan view thereof;
FIG. 7 is a perspective view of the handheld vacuum cleaner showing my new design; and,
FIG. 8 is another perspective view thereof.
The broken lines in the figures are for the purposes of illustrating portions of the handheld vacuum cleaner that form no part of the claimed design.

1 Claim, 8 Drawing Sheets



(56)

References Cited

U.S. PATENT DOCUMENTS

D867,694 S	11/2019	Ma	
D868,403 S *	11/2019	Wang	D32/18
D872,394 S	1/2020	Yang	
D873,513 S	1/2020	Tolchard	
D873,514 S	1/2020	Huang	
D873,516 S *	1/2020	Palladino	D32/32
D891,014 S *	7/2020	Chu	D32/18
D897,617 S	9/2020	Chen	
D898,311 S	10/2020	Smith	
D899,719 S	10/2020	Liu	
D907,315 S *	1/2021	Tokoi	D32/34
D923,888 S *	6/2021	Liu	D32/21
D932,121 S *	9/2021	Gray	D32/18
D935,710 S *	11/2021	Nakamura	D32/18
D937,509 S *	11/2021	Walraven	D32/17
D937,510 S *	11/2021	Xu	D32/18
D937,513 S *	11/2021	Chan	D32/22
D937,514 S *	11/2021	Zou	D32/22

FOREIGN PATENT DOCUMENTS

JP	D1668008	*	9/2020
KR	301085120.0000	*	12/2020

OTHER PUBLICATIONS

Hoover DustChaser Cordless Vacuum Cleaner, available in Amazon.com, customer review oldest date Jul. 11, 2020 [online], [site visited

Apr. 20, 2021], Available from the internet URL: https://www.amazon.com/dp/B089WWK2C6/ref=cm_sw_r_em_apa_glc_fabc_4R54EKGR09AQ96ZDAA9A (Year: 2020).*

Shark W1, available in Amazon.co.uk, date 1st available Aug. 13, 2018[online],[site visited May 4, 2021, Available from internet URL: https://www.amazon.co.uk/Handheld-Lightweight-Powerful-Detachable-WV201/dp/B07FX5K4D6/ref=sr_1_3?dchild=1&keywords=Shark+W1%2C+Handheld+Vacuum&qid=1620182094&s=kitchen&sr=1-3 (Year: 2018).*

E-ACE Portable Handheld Vacuum Cleaner Cordless, available in Amazon.ca, date first available date Dec. 2, 2020 [online], [site visited date May 17, 2021], Available from the internet URL: https://www.amazon.ca/dp/B08MFBJQY/ref=cm_sw_em_r_mt_imm_awdb_0RHZV3FHDKHA50FVBG20?_encoding=UTF8&psc=1 (Year: 2020).*

E-More Handheld Vacuum Cordless, available in Amazon.com.uk, date first available Jan. 11, 2021 [online], [site visited May 4, 2021, Available from the internet URL: https://www.amazon.co.uk/Handheld-Cordless-Portable-Rechargeable-Lightweight/dp/B08SM4CRPP/ref=sr_1_47?dchild=1&keywords=GeeMo+Handheld+Vacuum+Cleaner%2C+Hand+Vacuum&qid=1620181840&sr=8-47 (Year: 2021).*

* cited by examiner

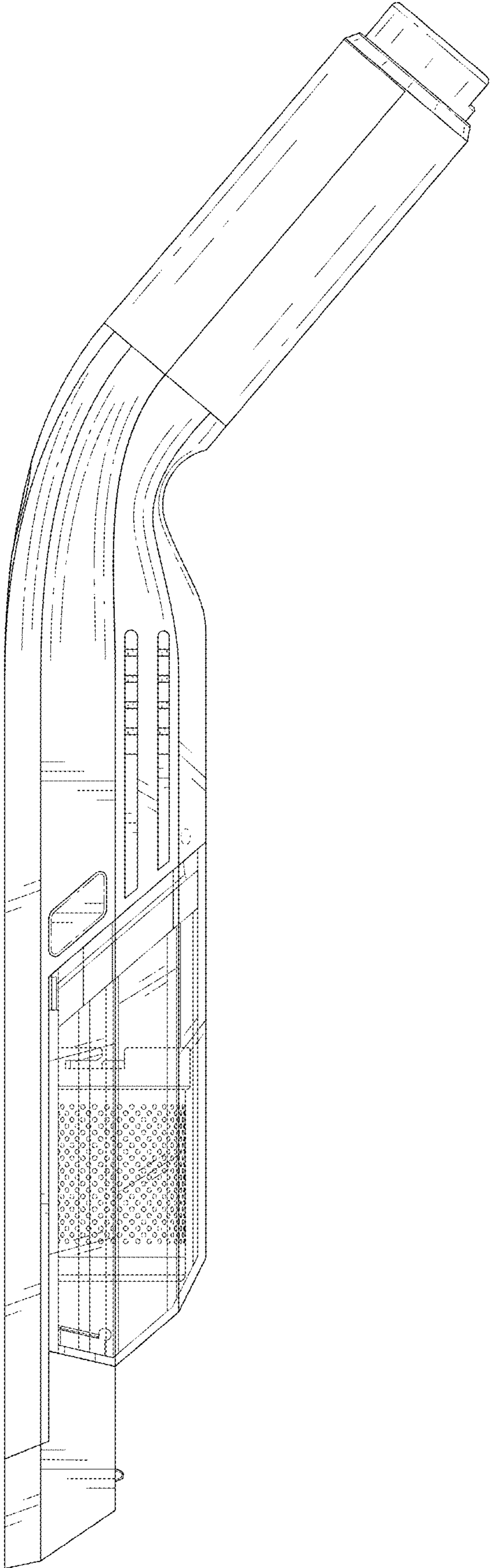


FIG. 1

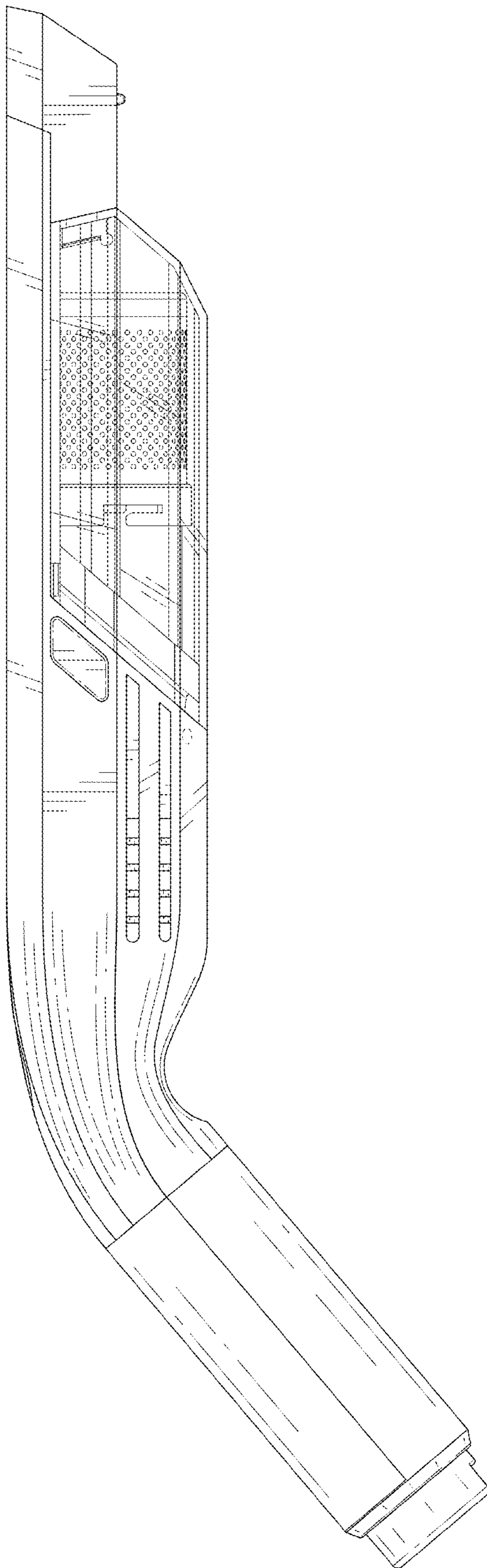


FIG. 2

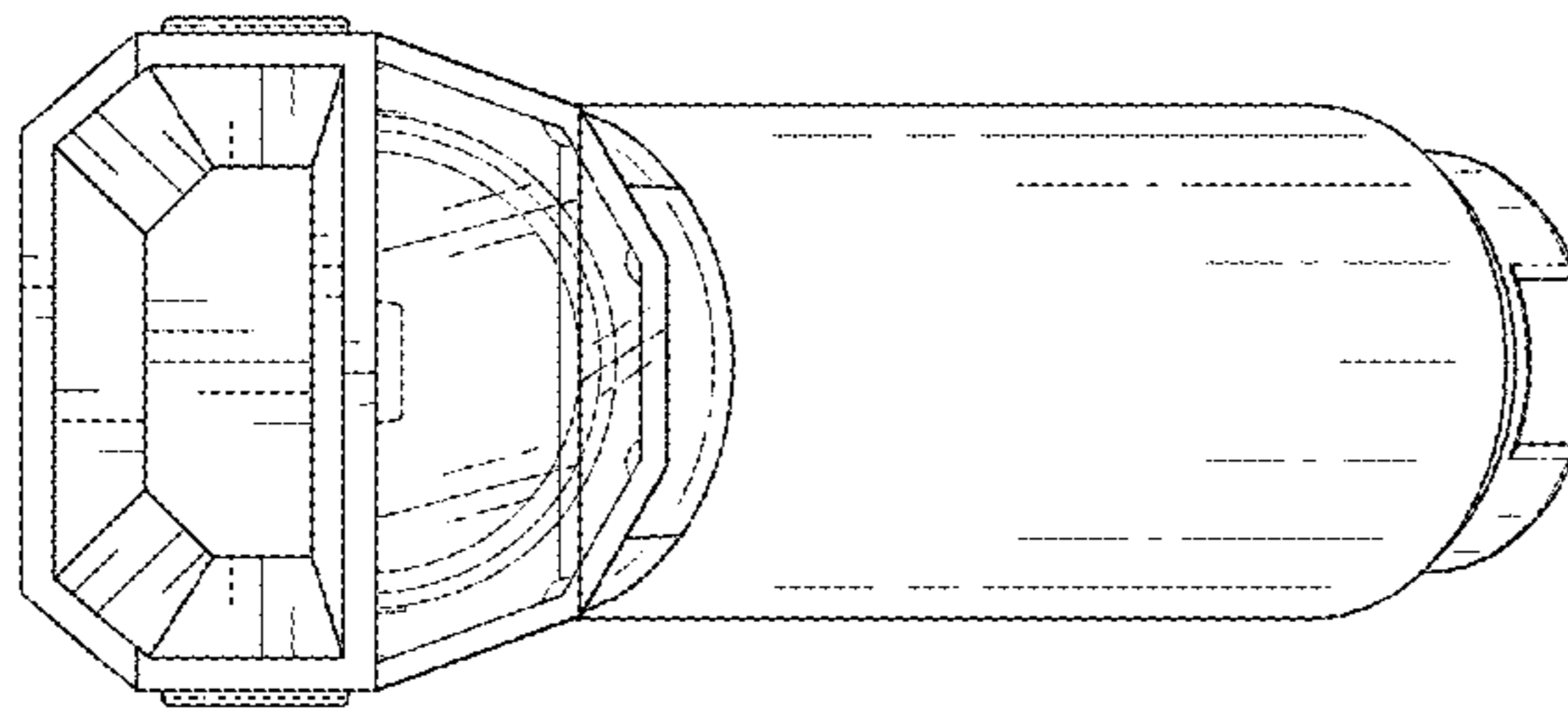


FIG. 3

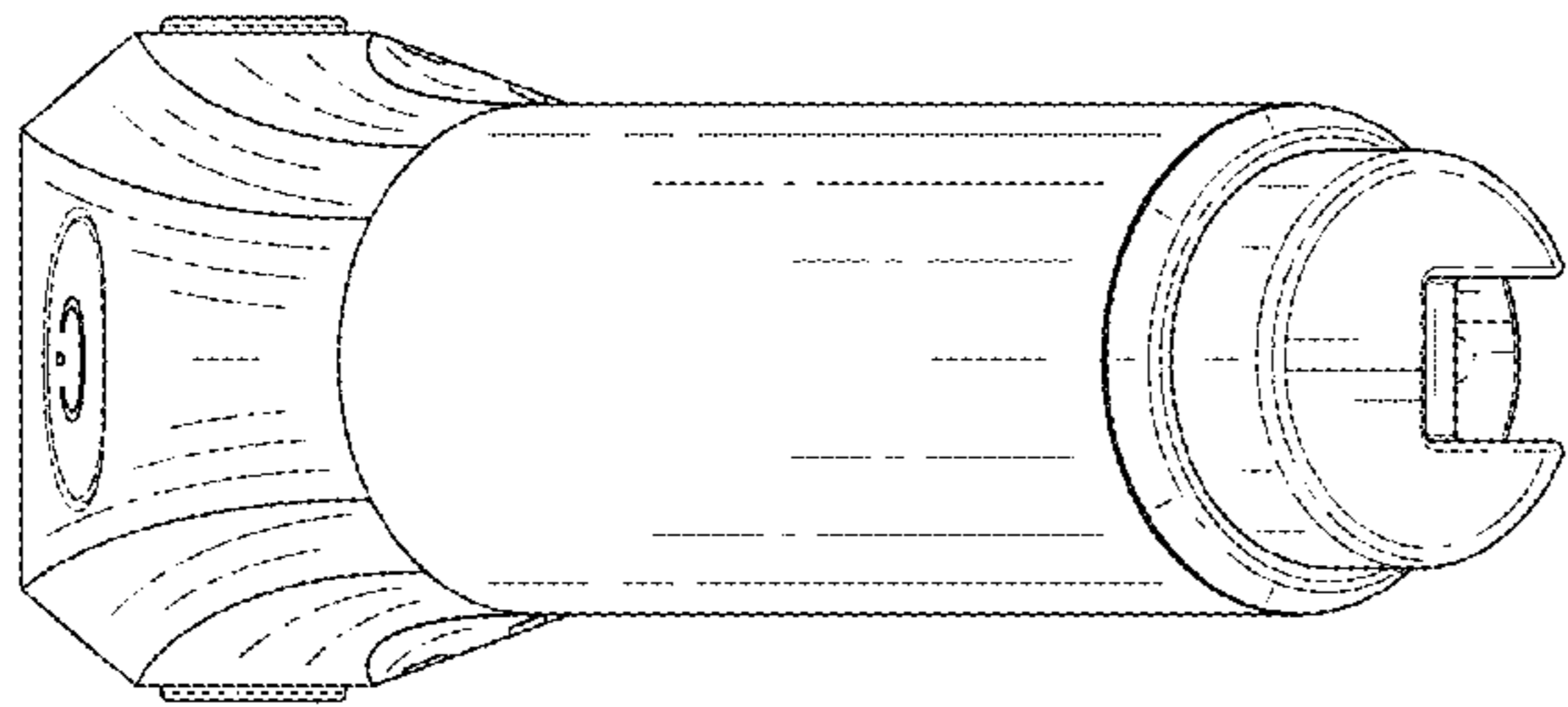


FIG. 4

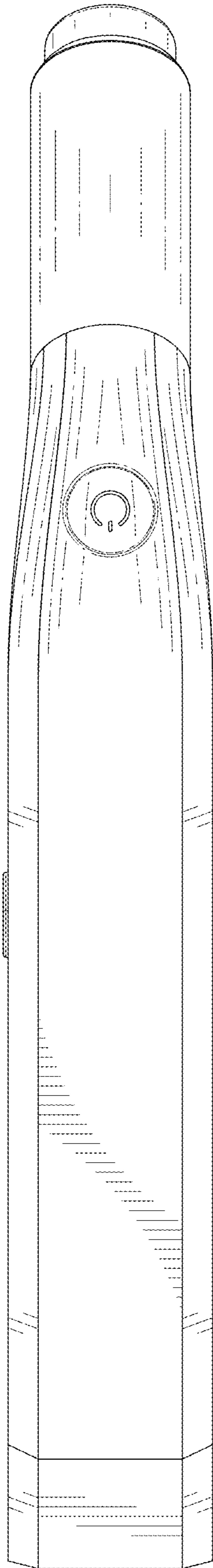


FIG. 5

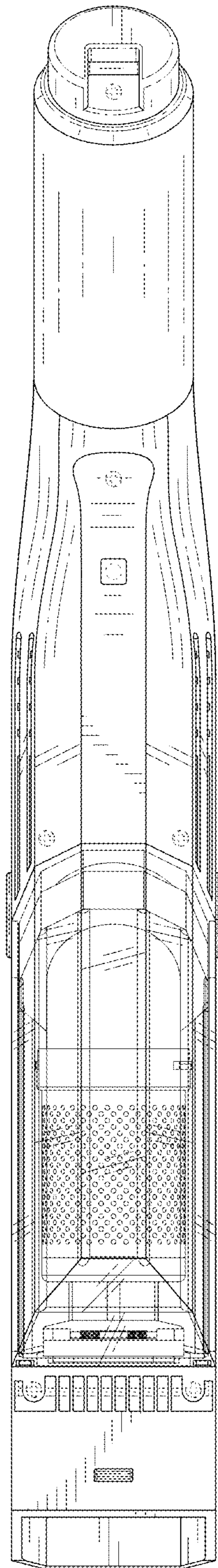


FIG. 6

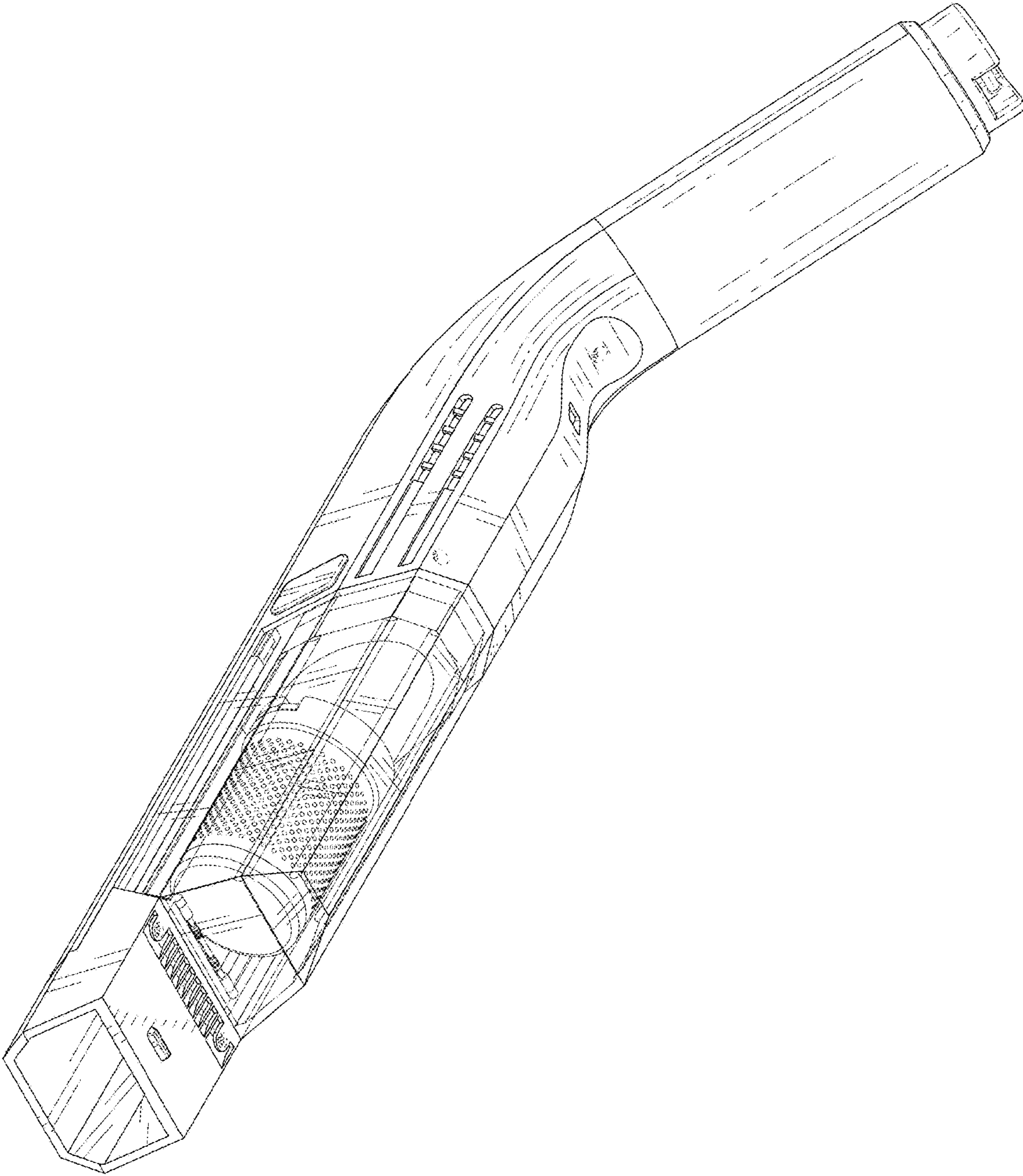


FIG. 7

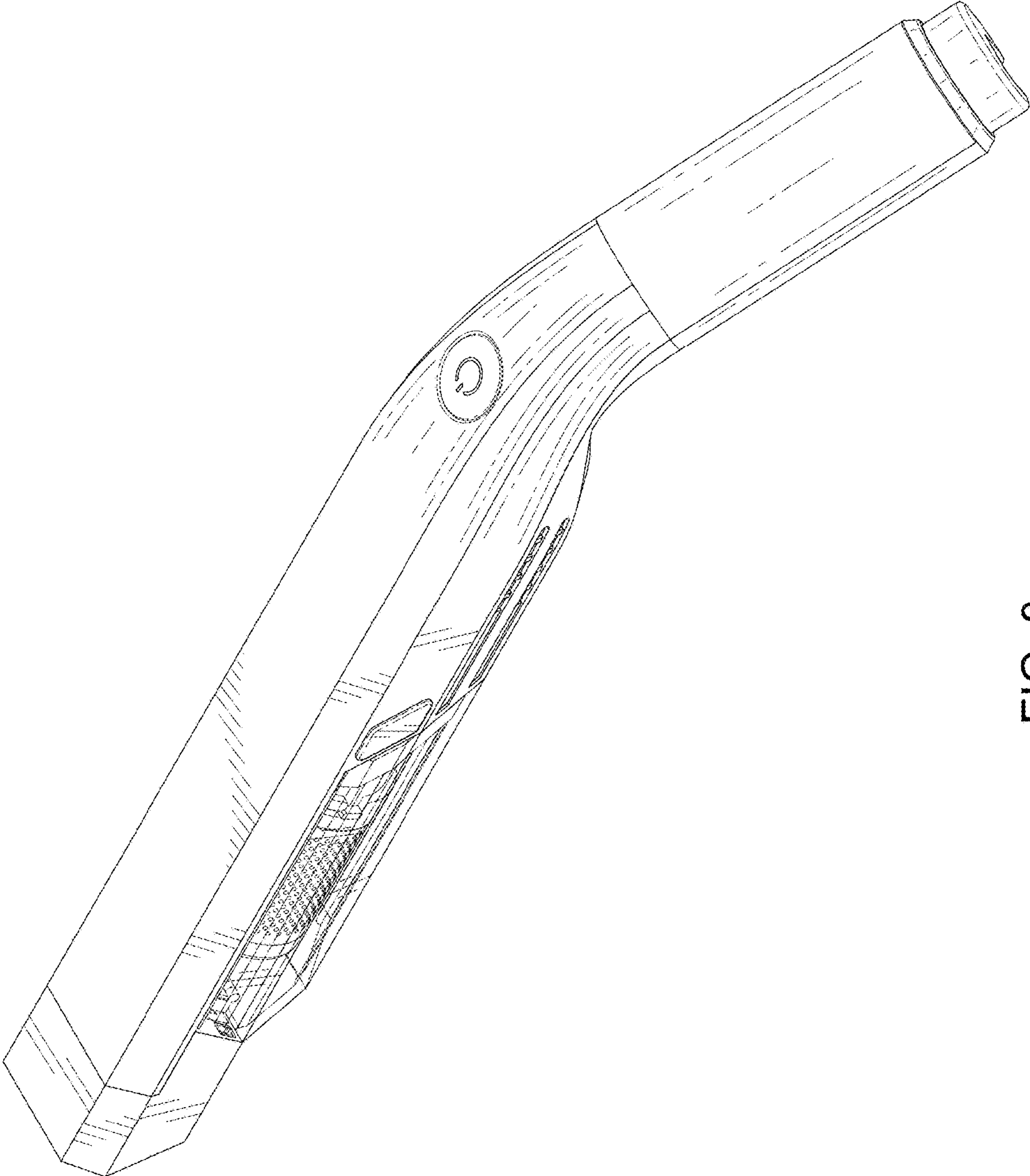


FIG. 8