



US00D943847S

(12) **United States Design Patent**
Tan et al.

(10) **Patent No.:** **US D943,847 S**

(45) **Date of Patent:** **** Feb. 15, 2022**

(54) **HANDHELD CORDLESS VACUUM CLEANER**

(71) Applicant: **Puppy Electronic Appliances Internet Technology Beijing Co., Ltd**, Beijing (CN)

(72) Inventors: **Chong Tan**, Beijing (CN); **Wubin Song**, Beijing (CN); **Shiji Cheng**, Beijing (CN); **Run Lin**, Beijing (CN)

(**) Term: **15 Years**

(21) Appl. No.: **29/736,564**

(22) Filed: **Jun. 1, 2020**

(30) **Foreign Application Priority Data**

Dec. 2, 2019 (CN) 201930669409.6

(51) **LOC (13) Cl.** **15-05**

(52) **U.S. Cl.**
USPC **D32/18; D32/17**

(58) **Field of Classification Search**
USPC D32/17-25, 31-34
CPC A47L 7/00; A47L 9/02; A47L 9/24; A47L 5/24; A47L 5/26; A47L 5/28; A47L 9/102; A47L 9/1608; A47L 9/1683; A47L 9/2857; A47L 5/30; A47L 9/00; A47L 9/04; A47L 9/0422; A47L 9/0461; A47L 9/06; A47L 9/0488; A47L 11/00; A47L 11/20; A47L 11/22; A47L 11/24; A47L 11/32; A47L 11/302; A47L 11/40
See application file for complete search history.

(56) **References Cited**

U.S. PATENT DOCUMENTS

D747,571 S * 1/2016 Dyson D32/18
9,451,858 B2 * 9/2016 Stickney A47L 9/1683
D792,665 S * 7/2017 Salagnac D32/18
D844,915 S * 4/2019 Gammack D32/22

D851,846 S * 6/2019 Gammack D32/22
D854,266 S * 7/2019 Gammack D32/18
D879,395 S * 3/2020 Pearce D32/18
D880,086 S * 3/2020 Tan D32/18
D897,616 S * 9/2020 Chen D32/22
D922,010 S * 6/2021 Lin D32/18
D927,103 S * 8/2021 Zou D32/18
D927,110 S * 8/2021 Ma D32/22
D927,803 S * 8/2021 Zou D32/18
2019/0183306 A1 * 6/2019 King A47L 5/24

(Continued)

OTHER PUBLICATIONS

Meet Puppyoo T12 Smart Wireless Vacuum Cleaner (on-line), dated Apr. 11, 2020. Retrieved from Internet Aug. 11, 2021, URL: <https://www.gadgetsay.com/puppy-t12-smart-wireless-vacuum-cleaner/> (2 pages) (Year: 2020).*

Primary Examiner — Kimberly Barnes

(74) *Attorney, Agent, or Firm* — Butzel Long, PC; Gunther Evanina

(57) **CLAIM**

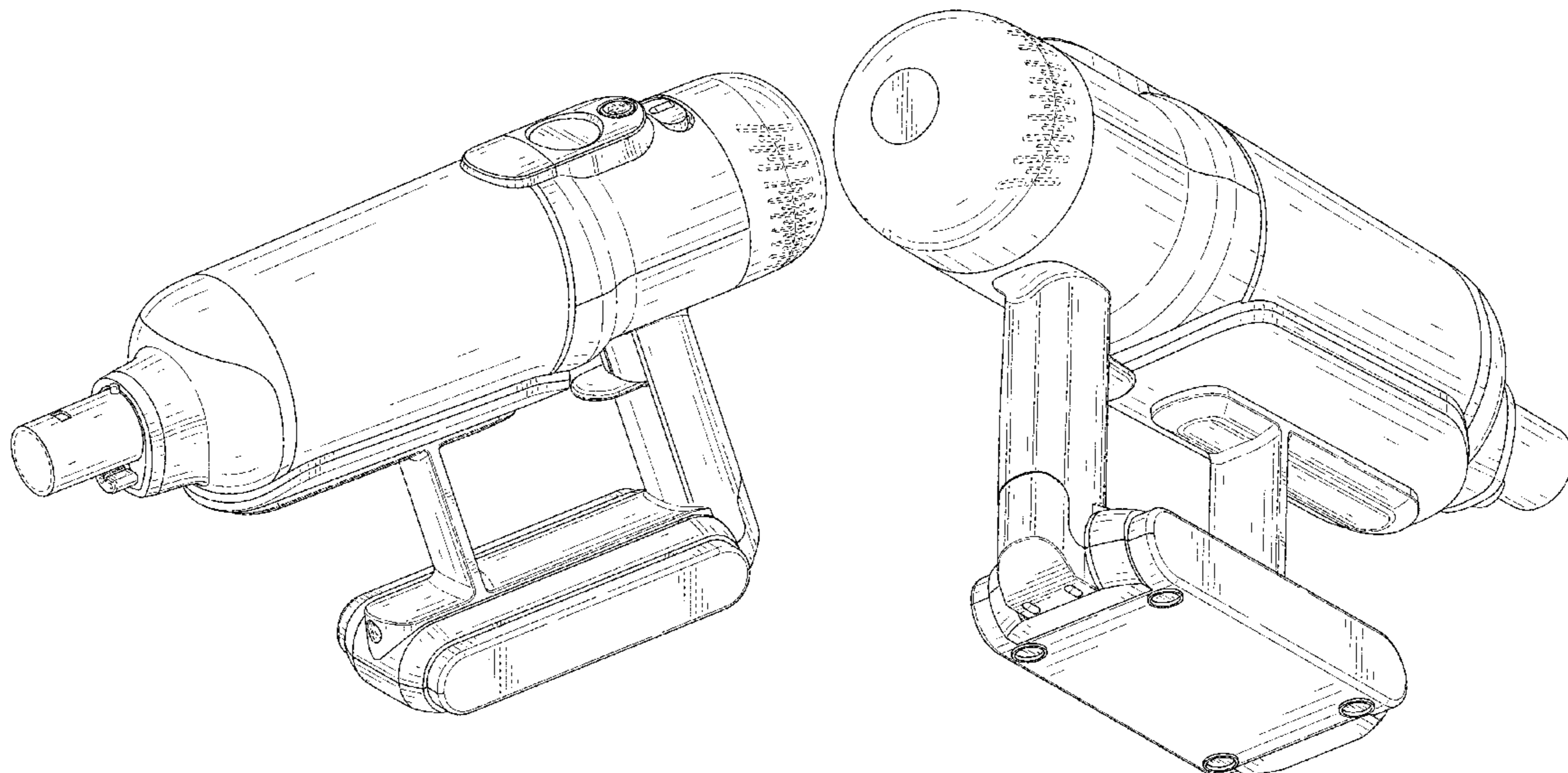
We claim the ornamental design for a handheld cordless vacuum cleaner, as shown and described.

DESCRIPTION

FIG. 1 is a front, right and top perspective view of a handheld cordless vacuum cleaner showing our new design; FIG. 2 is a rear, left and bottom perspective view thereof; FIG. 3 is a front elevational view thereof; FIG. 4 is a rear elevational view thereof; FIG. 5 is a left side elevational view thereof; FIG. 6 is a right side elevational view thereof; FIG. 7 is a top plan view thereof; and, FIG. 8 is a bottom plan view thereof.

The broken lines in the drawings depict portions of the handheld cordless vacuum cleaner that form no part of the claimed design.

1 Claim, 8 Drawing Sheets



(56)

References Cited

U.S. PATENT DOCUMENTS

2020/0069131 A1* 3/2020 Jung A47L 9/2884
2020/0170466 A1* 6/2020 Percy-Raine A47L 5/24
2020/0204034 A1* 6/2020 Shin H02K 3/34

* cited by examiner

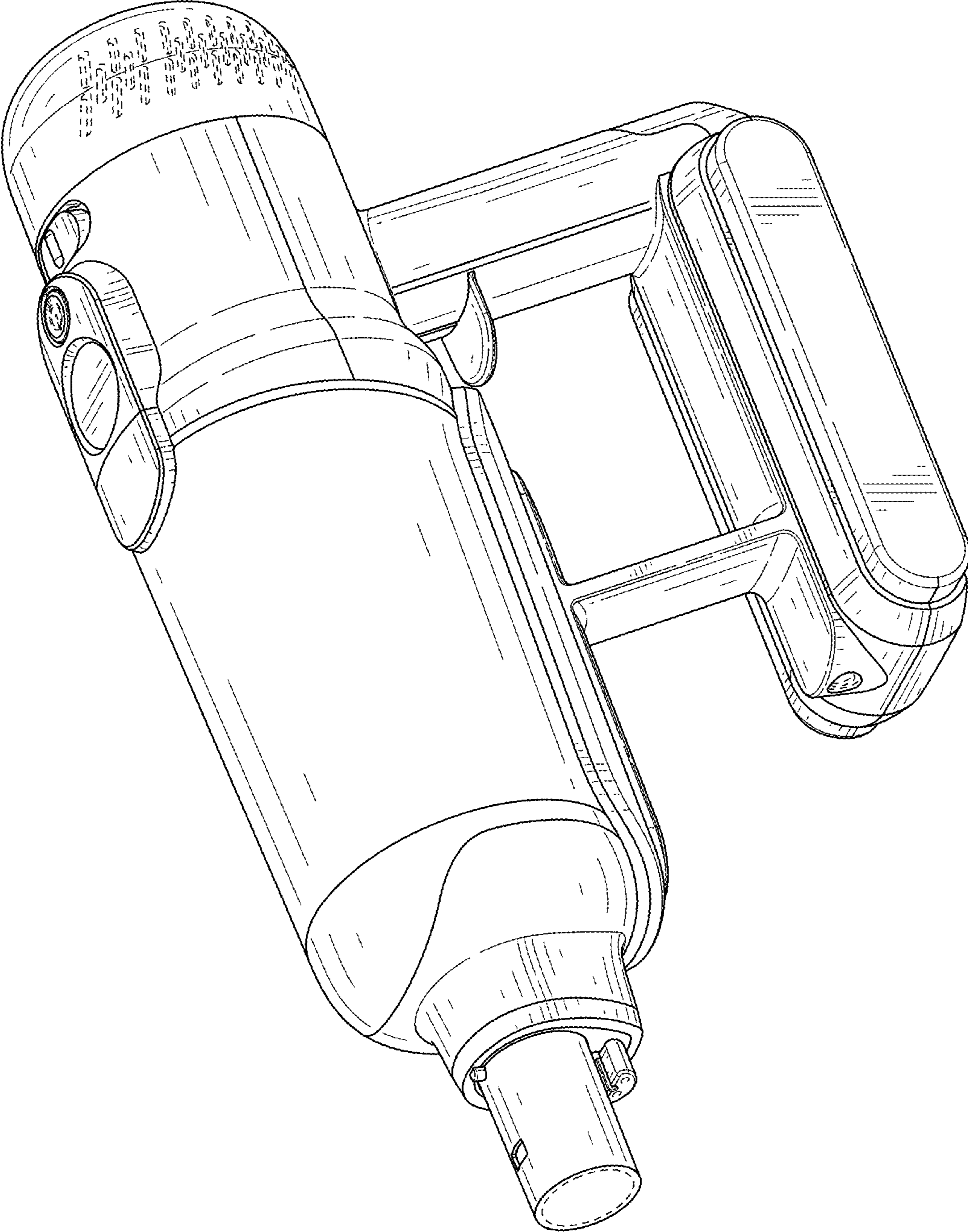


FIG. 1

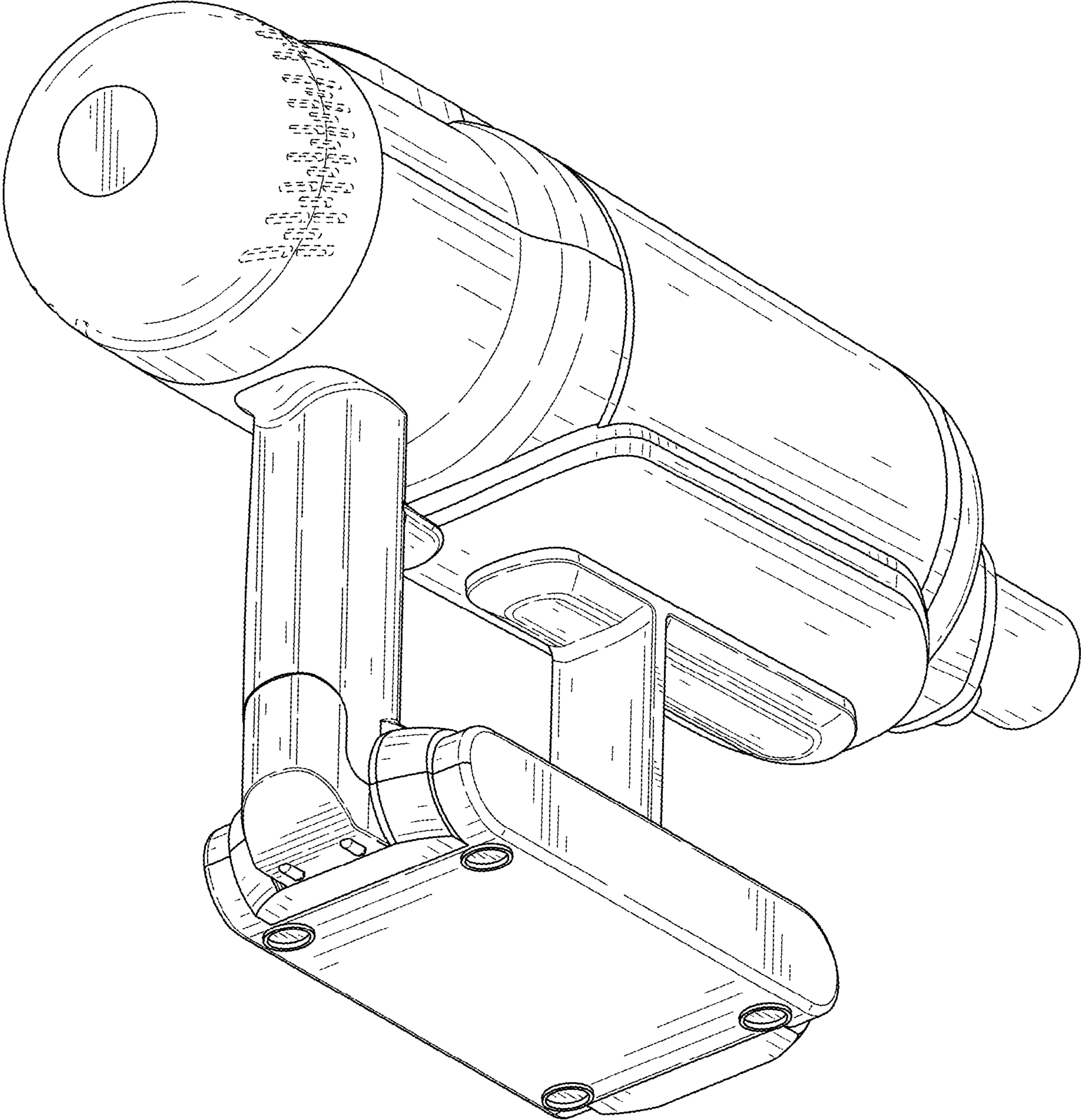


FIG. 2

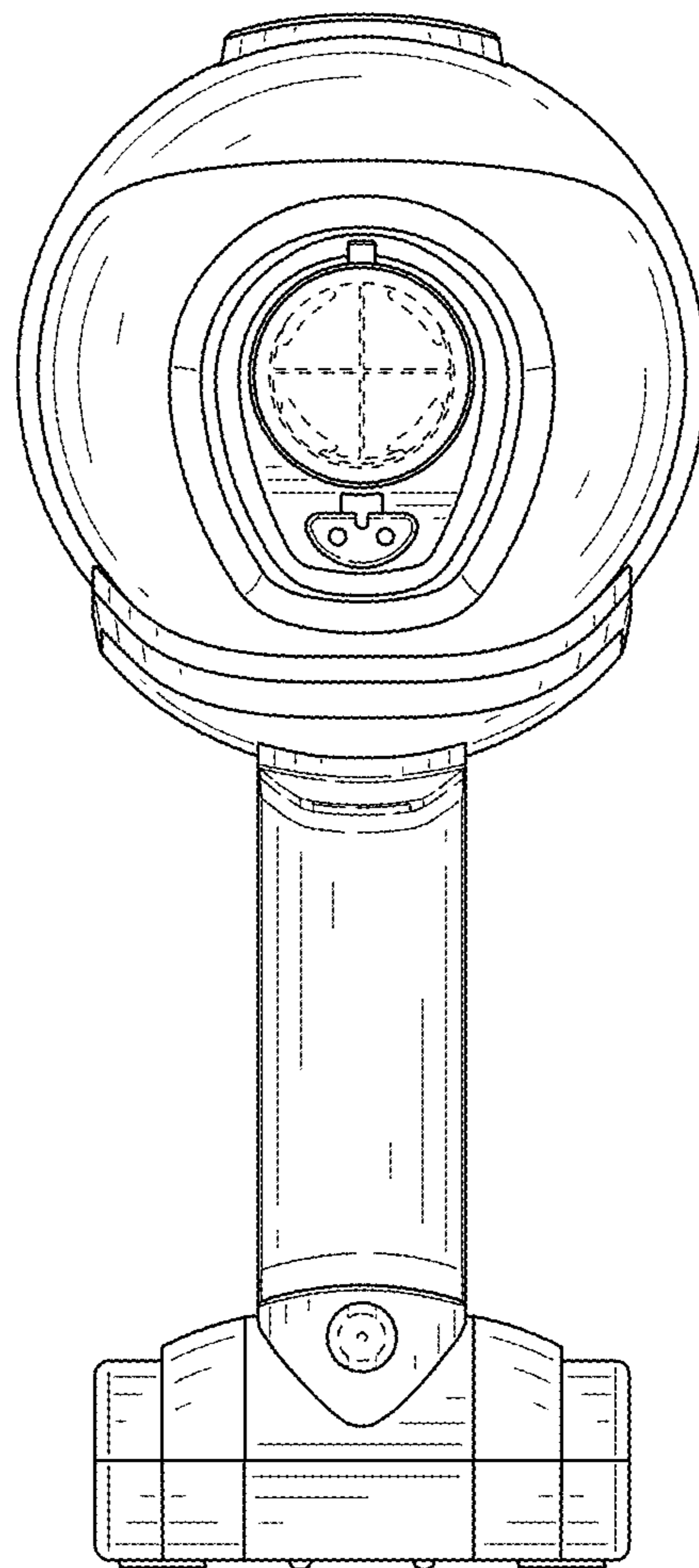


FIG. 3

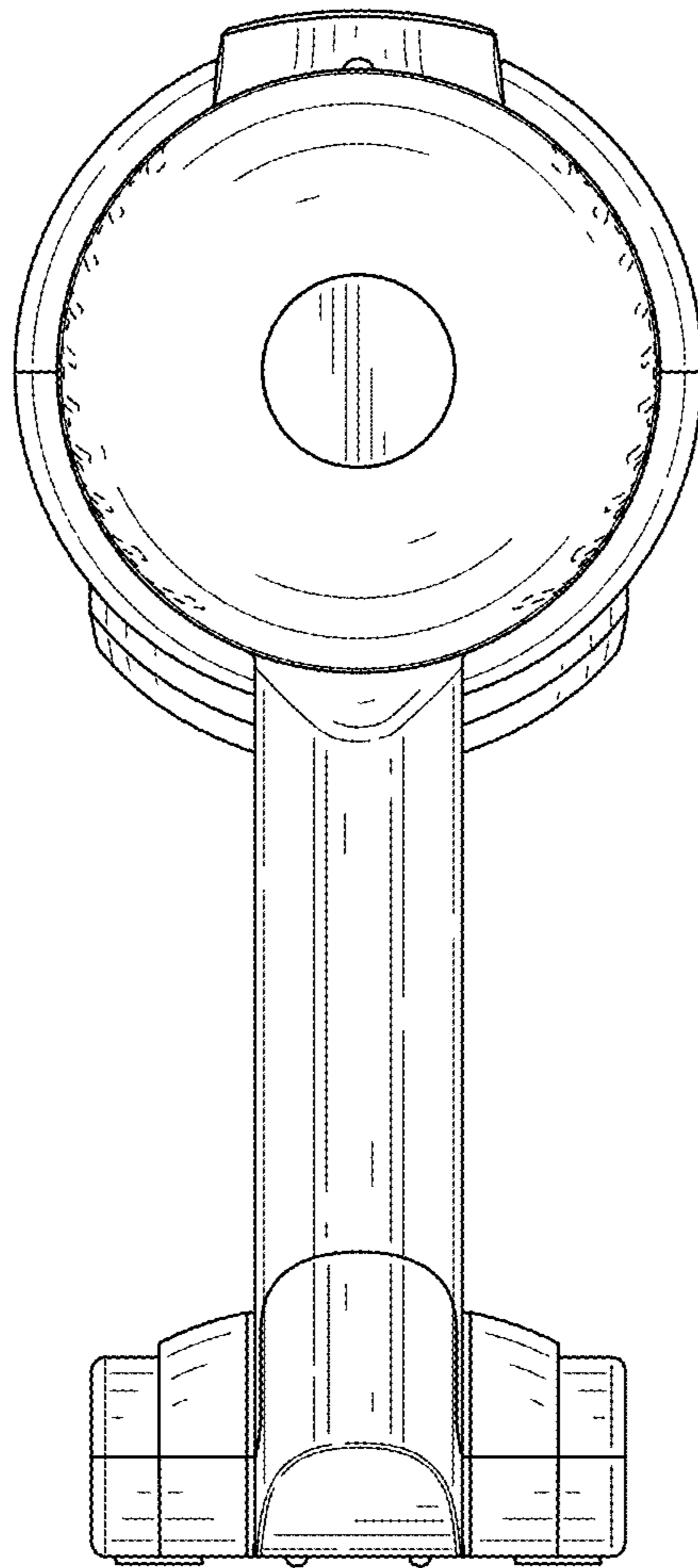


FIG. 4

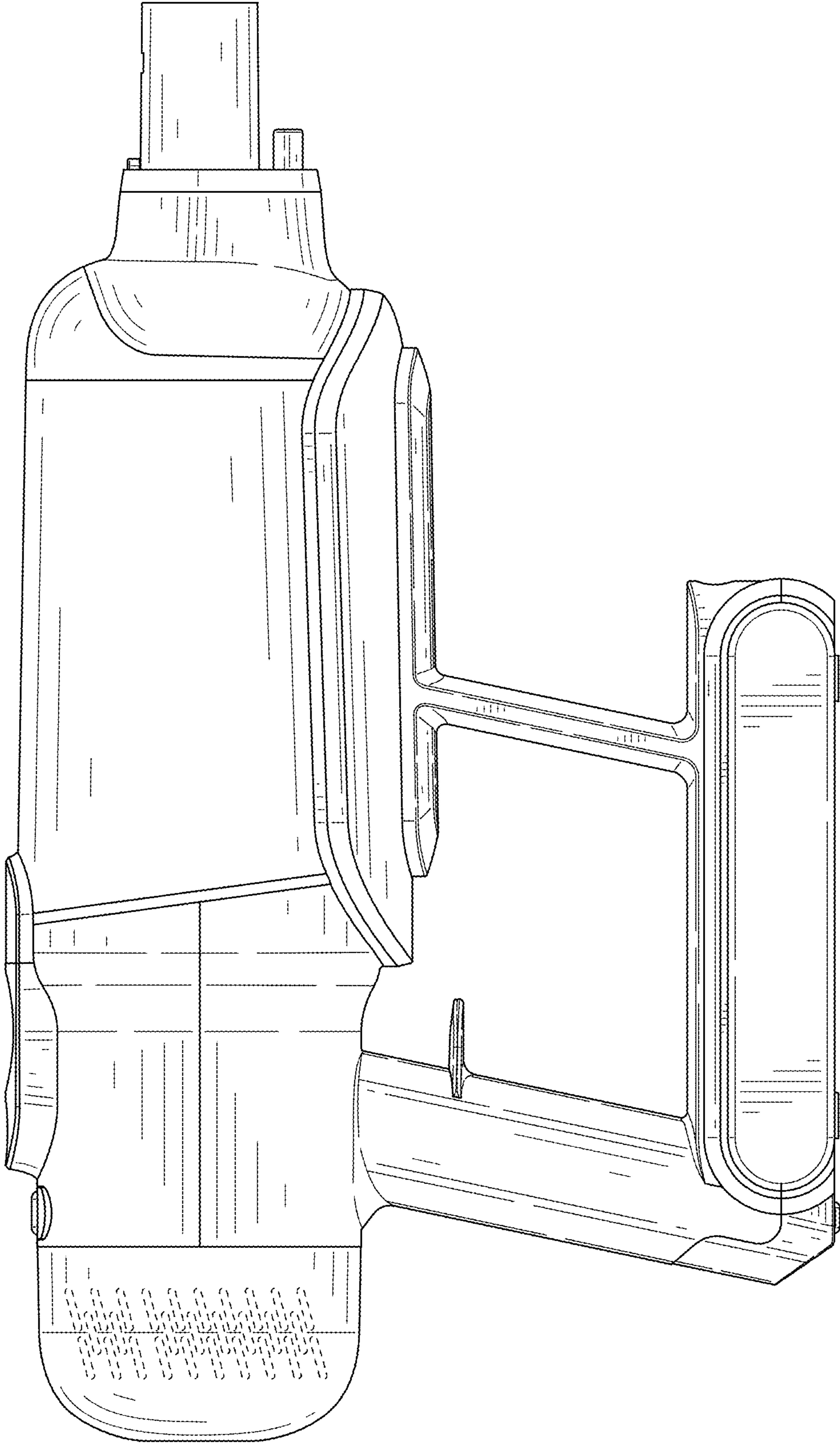


FIG. 5

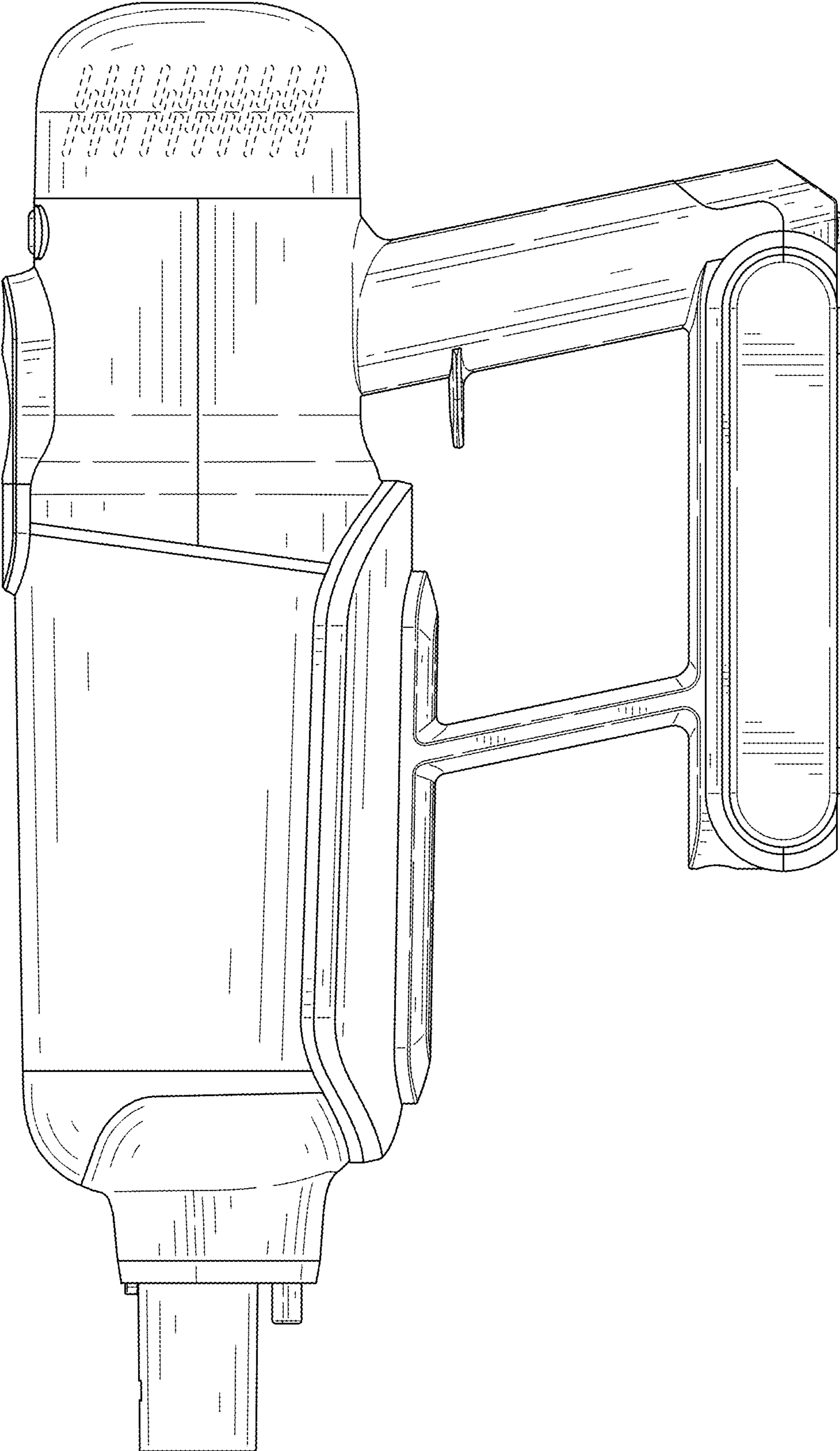


FIG. 6

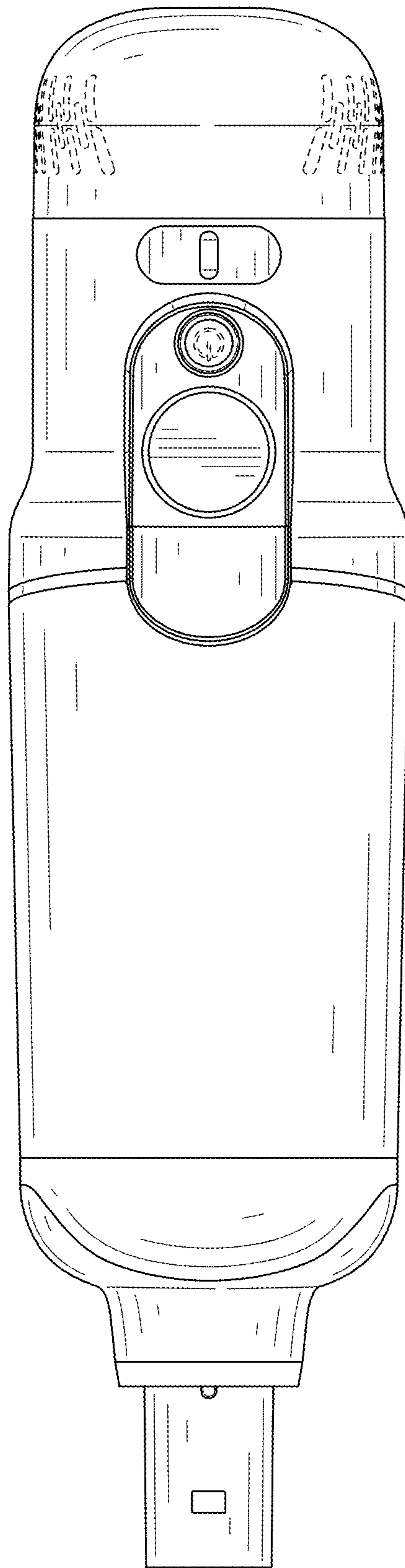


FIG. 7

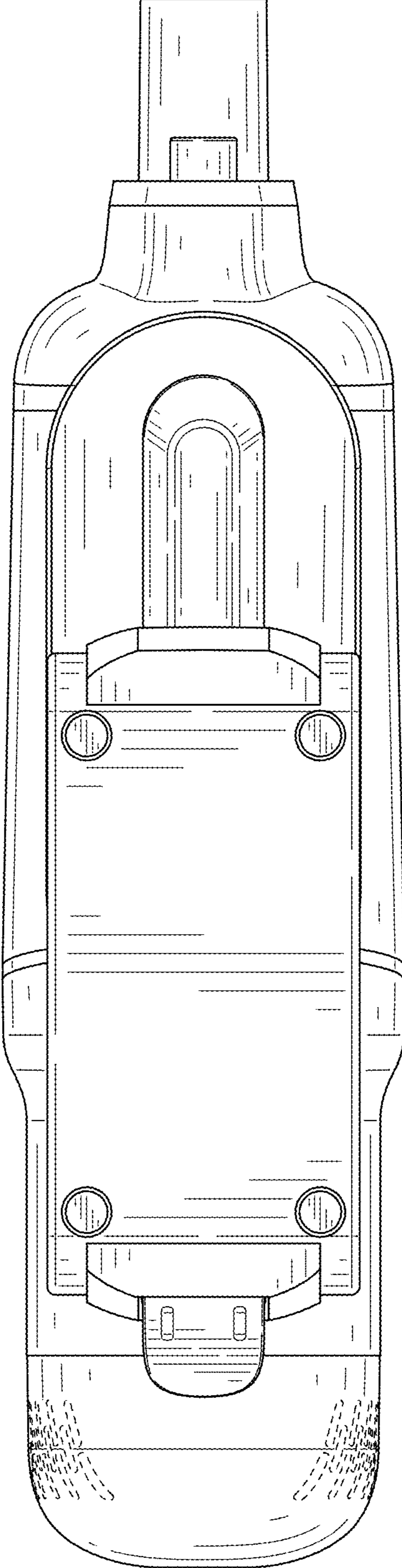


FIG. 8