



US00D943846S

(12) **United States Design Patent** (10) **Patent No.:** **US D943,846 S**  
**Pokharel et al.** (45) **Date of Patent:** **\*\* Feb. 15, 2022**

(54) **TOILET BRUSH WITH CADDY SET**

D574,116 S \* 7/2008 Yang ..... D32/14  
D613,468 S \* 4/2010 Kosasih ..... D32/14  
D647,671 S \* 10/2011 Stein ..... D32/14  
D688,840 S \* 8/2013 Wu ..... D32/14

(Continued)

(71) Applicant: **Orcas Product Group, Inc.**, Federal Way, WA (US)

(72) Inventors: **Nirmal Pokharel**, Bothell, WA (US); **Steven Selikoff**, Federal Way, WA (US)

**FOREIGN PATENT DOCUMENTS**

(73) Assignee: **Orcas Product Group, Inc.**, Federal Way, WA (US)

CA 177869 6/2018  
CN 305314083 \* 8/2018

(Continued)

(\*\*) Term: **15 Years**

**OTHER PUBLICATIONS**

(21) Appl. No.: **29/686,349**

Catch.com/au, Poop emoji Brush and Holder Set, customer reviews 2018, <https://www.catch.com.au/product/poop-emoji-brush-holder-set-brown-black-white-2322770/>, site visited Jun. 17, 2021.\*

(Continued)

(22) Filed: **Apr. 3, 2019**

(51) **LOC (13) Cl.** ..... **15-05**

(52) **U.S. Cl.**  
USPC ..... **D32/14**

(58) **Field of Classification Search**  
USPC ..... D32/30-33, 40-43, 45-49, 50-52, 14;  
D4/118, 116, 128, 136, 138; D8/6-9, 20,  
D8/45, 107; D7/670, 697; D6/551, 524,  
D6/520; 4/255.11  
CPC . A47L 13/02; A47L 13/08; A47L 9/06; B25G  
1/00; B25G 1/01; A46B 9/02  
See application file for complete search history.

*Primary Examiner* — John R Yeh

(74) *Attorney, Agent, or Firm* — Lee & Hayes, P.C.

(57) **CLAIM**

The ornamental design for a toilet brush with caddy set, as shown and described.

**DESCRIPTION**

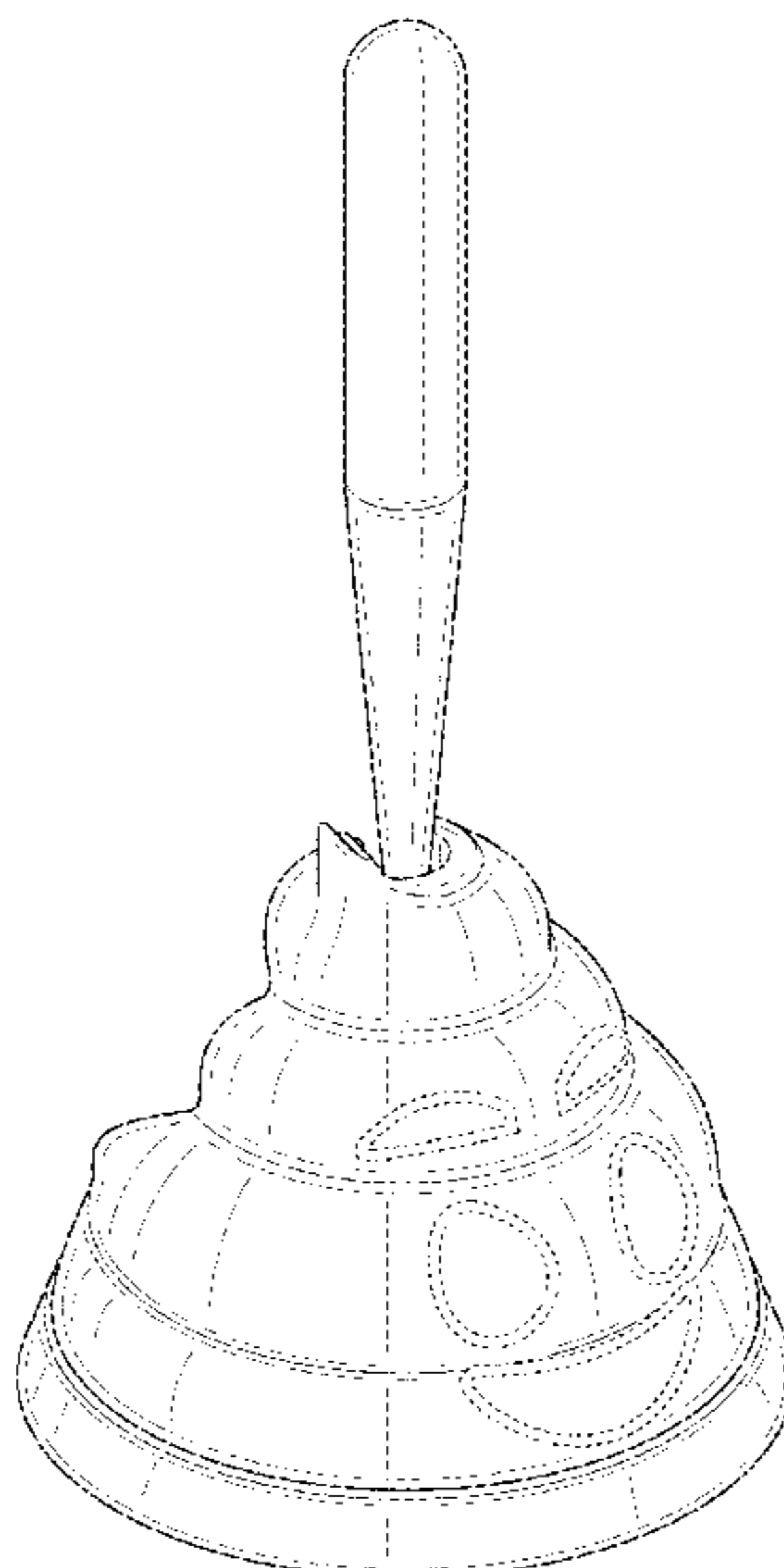
(56) **References Cited**

**U.S. PATENT DOCUMENTS**

D291,933 S \* 9/1987 Weiss ..... D32/14  
D383,935 S \* 9/1997 Zawalsky ..... D6/524  
D437,463 S \* 2/2001 Garay ..... D32/14  
D437,667 S \* 2/2001 Hwang ..... D32/35  
D441,507 S \* 5/2001 Gholston ..... D32/14  
D448,534 S \* 9/2001 Wang ..... D32/35  
D456,574 S \* 4/2002 Chen ..... D32/35  
D457,277 S \* 5/2002 Poston ..... D32/14  
D491,702 S \* 6/2004 Tash ..... D32/14  
D500,619 S \* 1/2005 Rich ..... D6/524  
6,988,691 B1 \* 1/2006 Lai ..... A47K 10/38  
242/594

FIG. 1 is a top, front perspective view of a toilet brush with caddy set;  
FIG. 2 is a top, back perspective view thereof;  
FIG. 3 is a front view thereof;  
FIG. 4 is a back view thereof;  
FIG. 5 is a left-side view thereof;  
FIG. 6 is a right-side view thereof;  
FIG. 7 is a top view thereof; and,  
FIG. 8 is a bottom view thereof.  
The dashed broken lines depict portions of the toilet brush with caddy set that form no part of the claimed design.

**1 Claim, 8 Drawing Sheets**



(56)

References Cited

U.S. PATENT DOCUMENTS

9,328,492 B2\* 5/2016 Cohen ..... E03C 1/308  
D796,127 S \* 8/2017 Guthrie ..... E03D 9/00  
D32/14  
D802,232 S 11/2017 Fordyce et al.  
D810,367 S 2/2018 Hickerson  
D811,025 S 2/2018 Fordyce et al.  
D828,658 S \* 9/2018 Guthrie ..... E03C 1/308  
D32/14  
D846,302 S 4/2019 Kropfelder et al.  
D857,311 S \* 8/2019 Cavalcanti ..... D32/14  
D861,263 S \* 9/2019 de Martrin-Donos ..... D32/14  
D917,197 S \* 4/2021 Kwak ..... D6/524  
2005/0172385 A1\* 8/2005 Jiang ..... E03C 1/308  
4/255.05  
2010/0170030 A1\* 7/2010 Haji-Karami-Mahabadi .....  
E03D 9/00  
4/255.11

2010/0313345 A1\* 12/2010 Stein ..... E03C 1/308  
4/255.11  
2013/0125298 A1\* 5/2013 Guthrie ..... E03C 1/308  
4/255.11  
2014/0075661 A1\* 3/2014 Zeng ..... E03D 9/00  
4/255.11

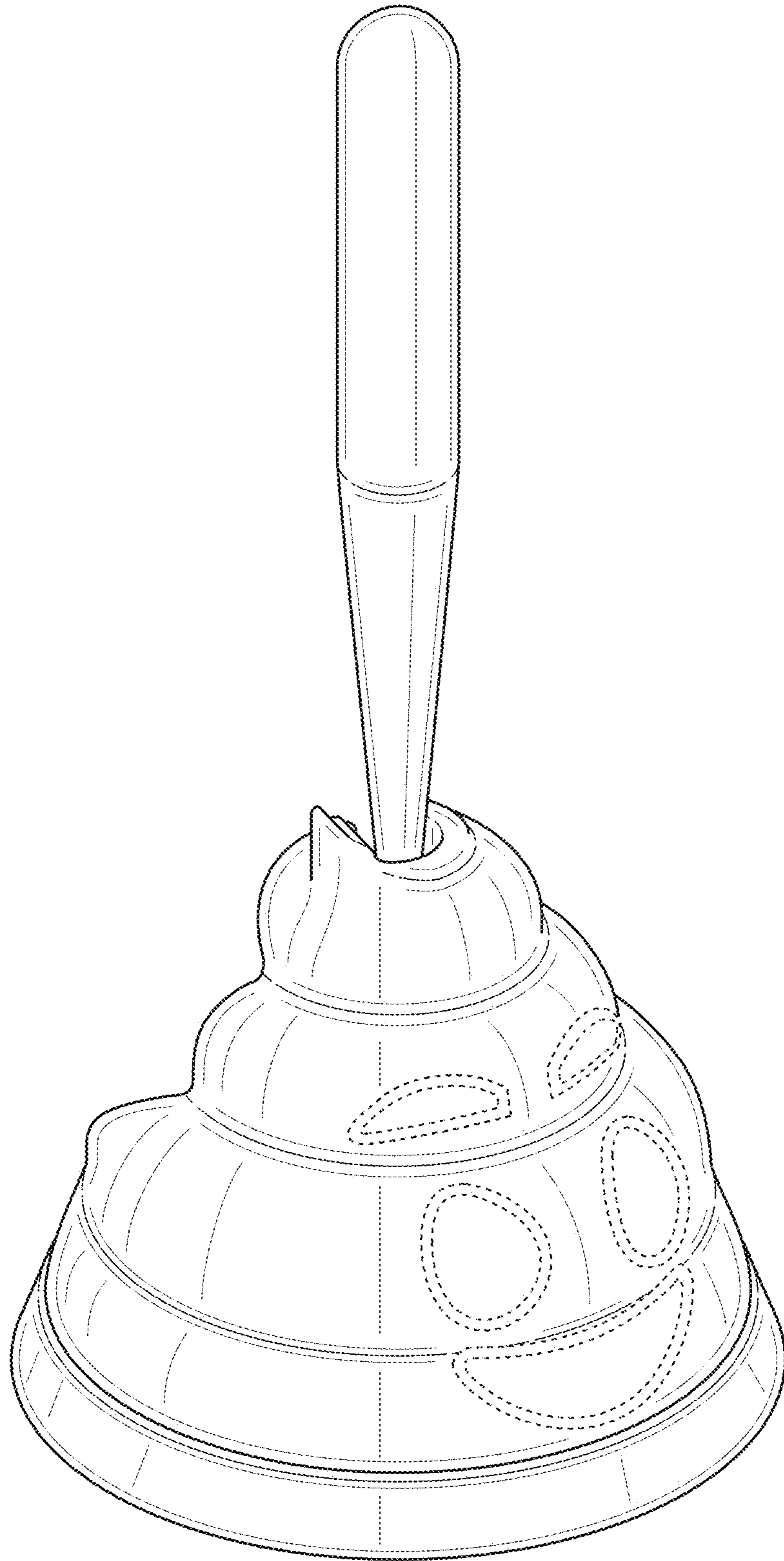
FOREIGN PATENT DOCUMENTS

EM 004426450-0001 10/2017  
JP 1603052 6/2018  
JP D1660259 \* 5/2020  
KR 3009127980000 6/2017

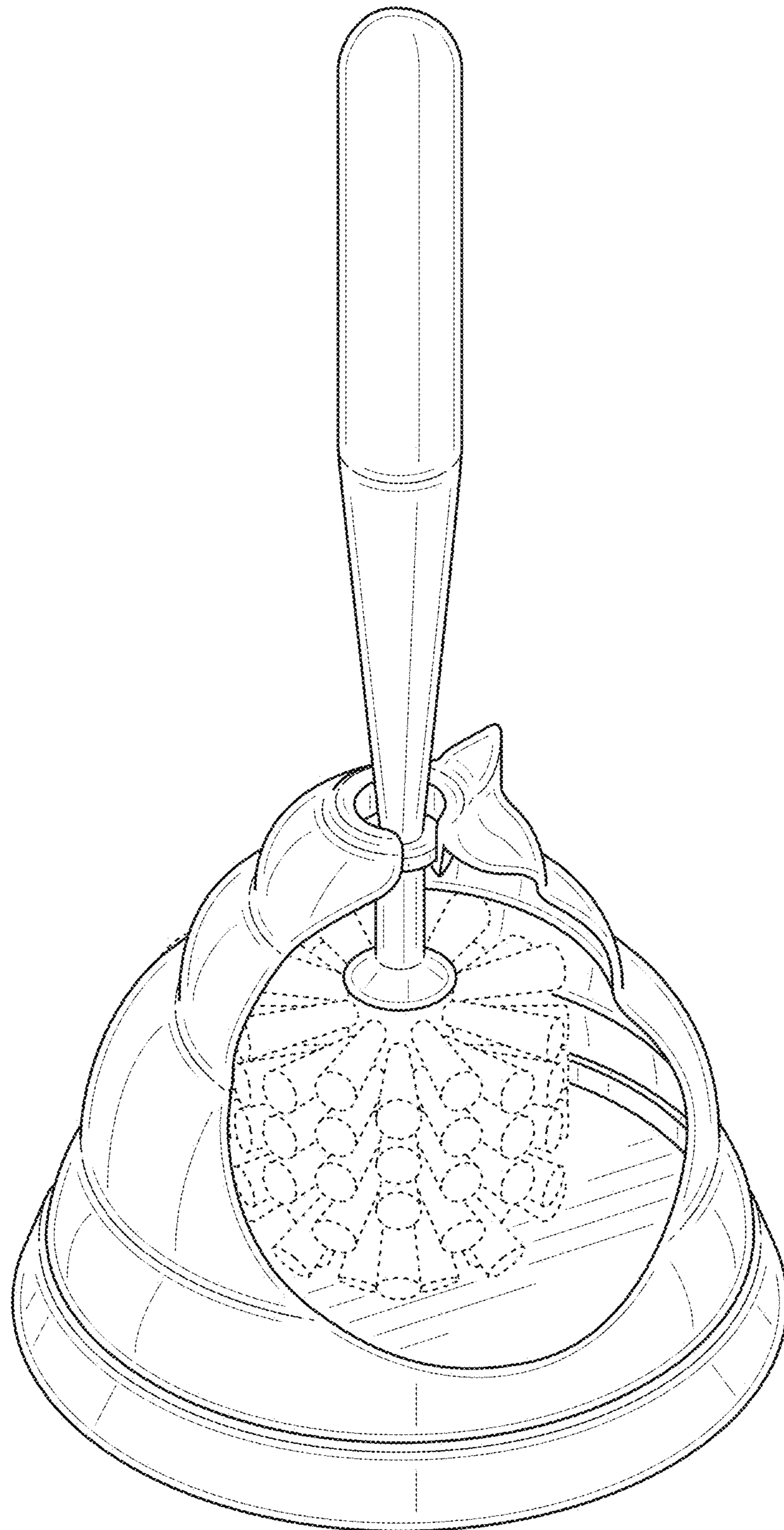
OTHER PUBLICATIONS

Mr. Poop plunger Youtube video date Feb. 13, 2019, site visited Jun.  
17, 2021, <https://www.youtube.com/watch?v=cfzf4gO79B8>.\*

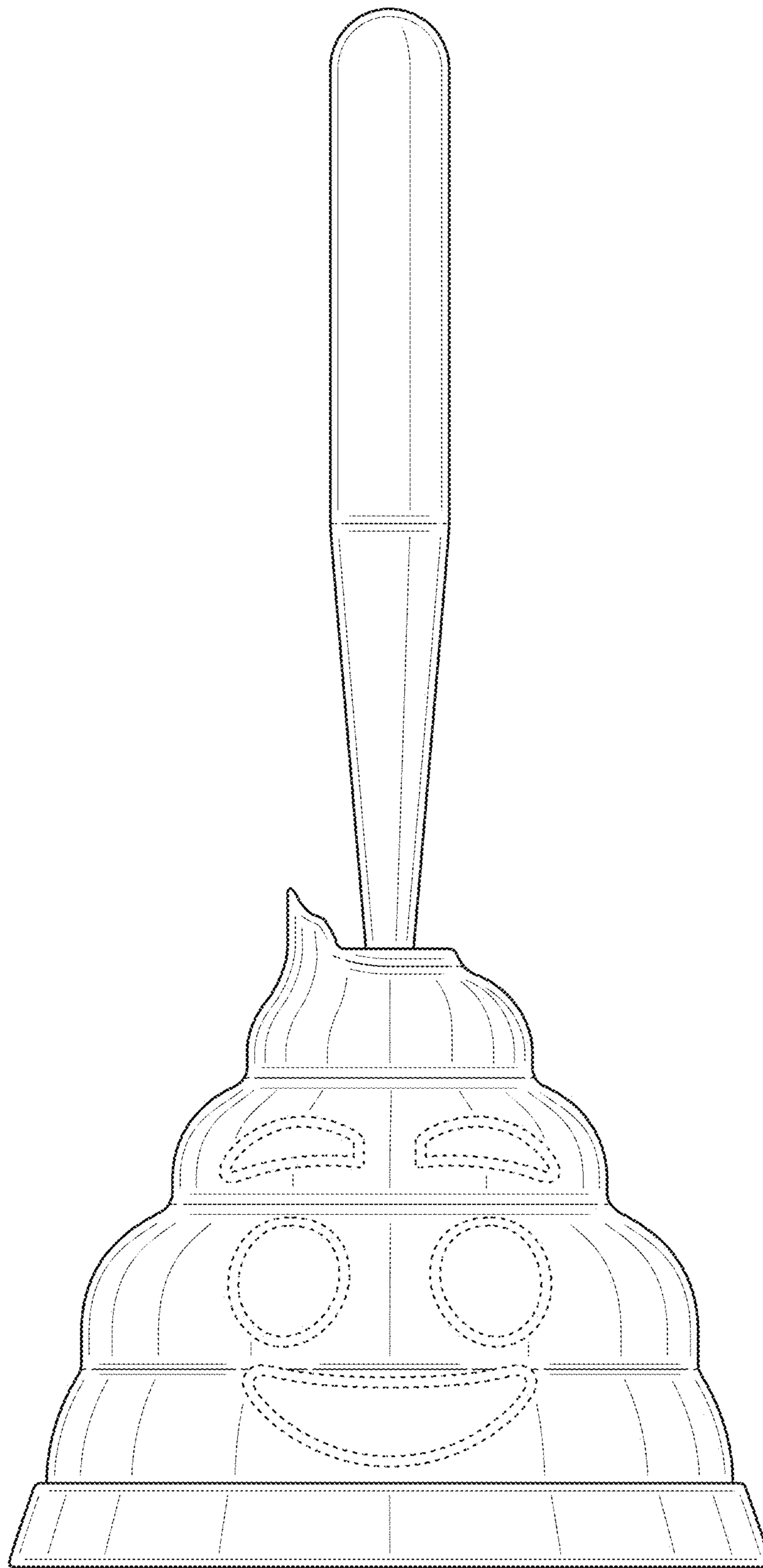
\* cited by examiner



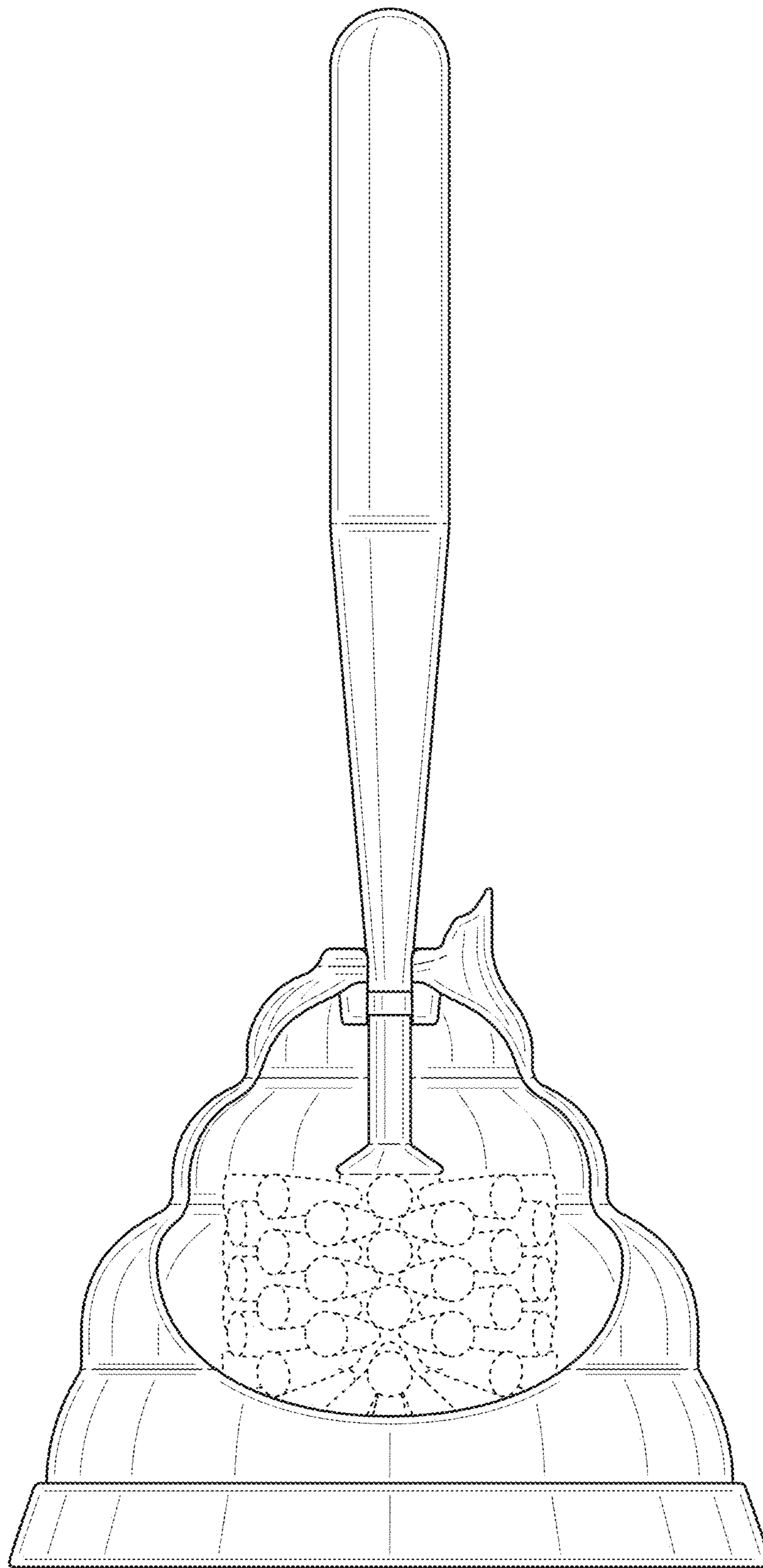
**FIG. 1**



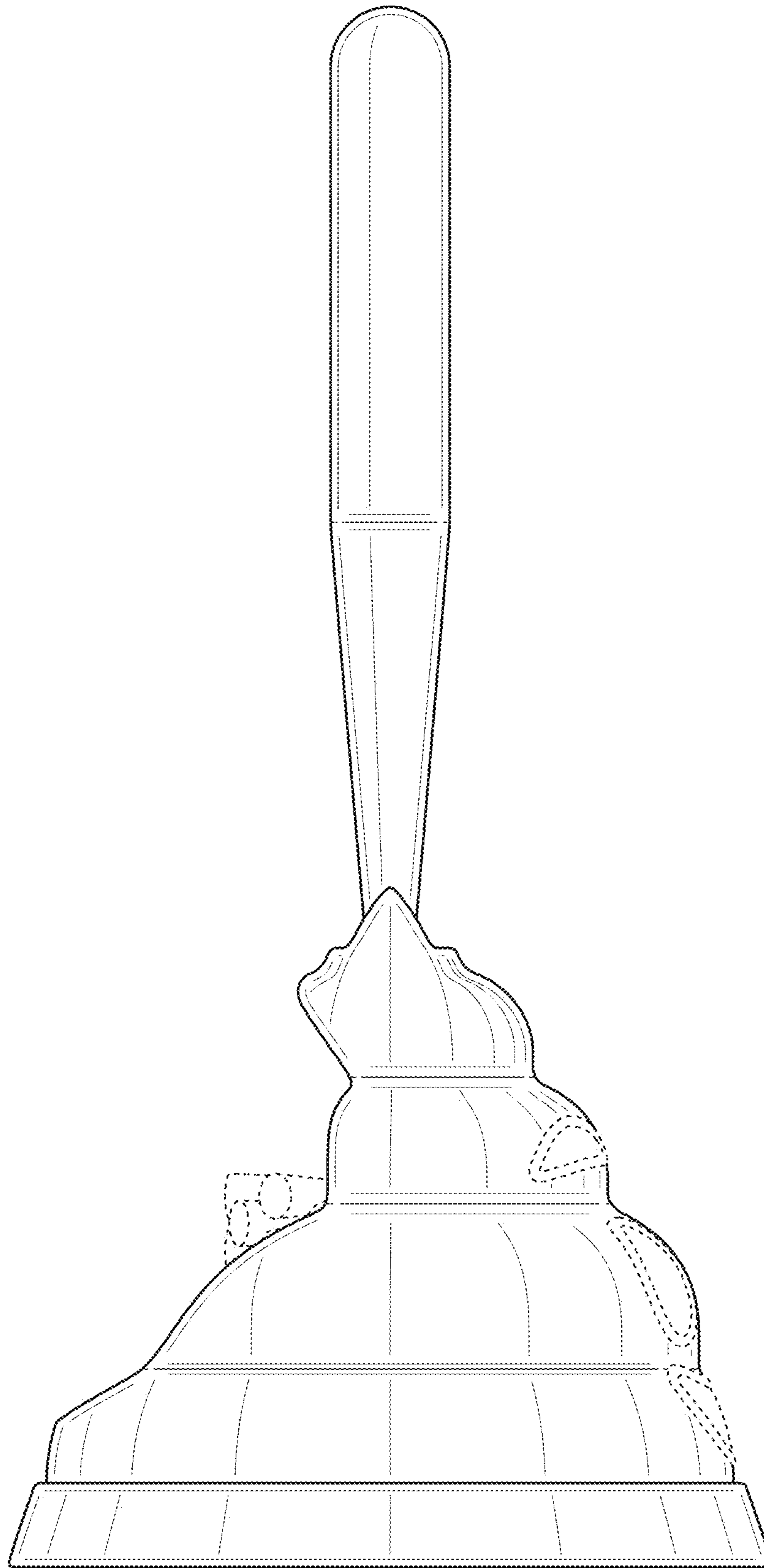
**FIG. 2**



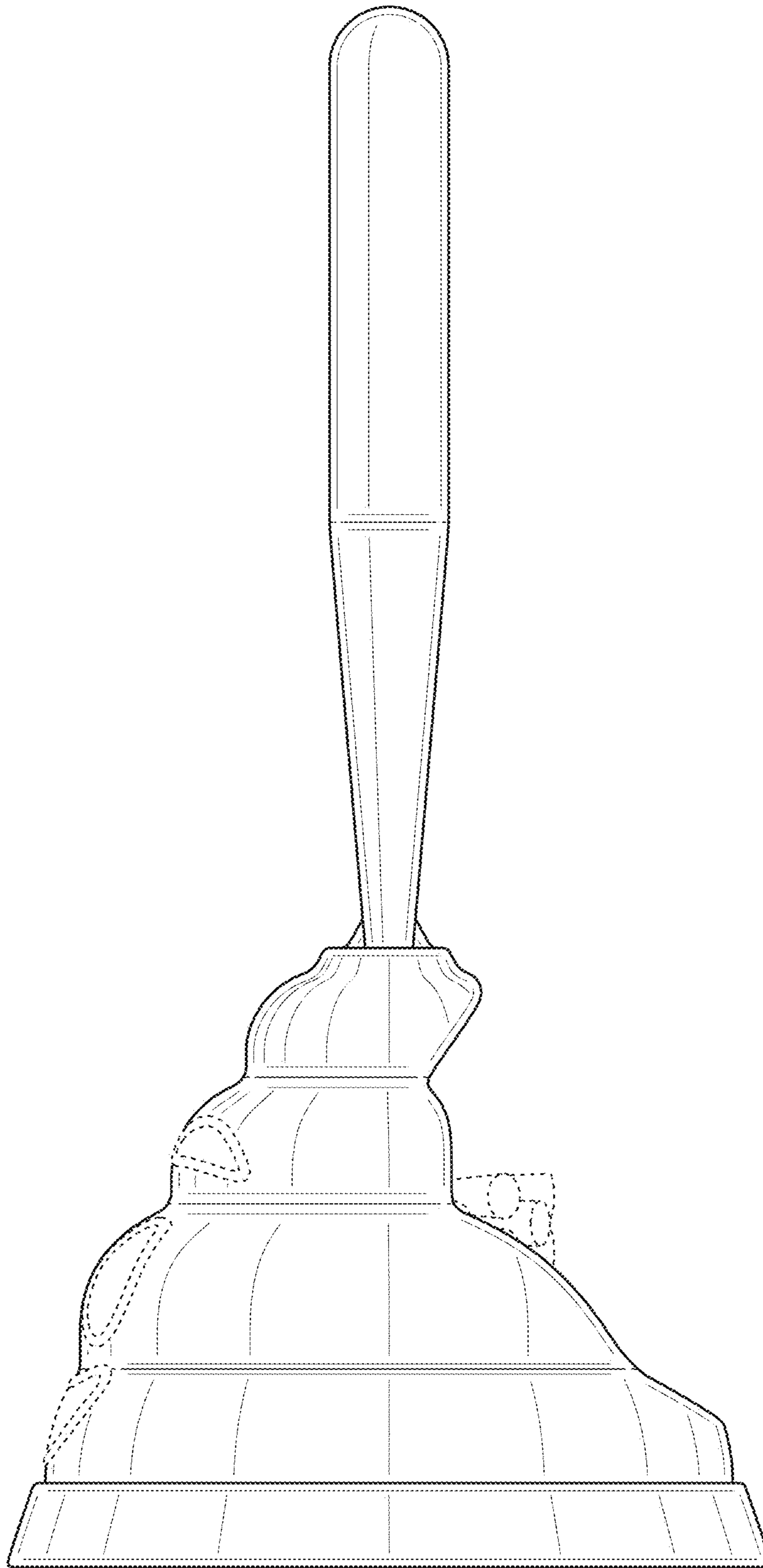
**FIG. 3**



**FIG. 4**

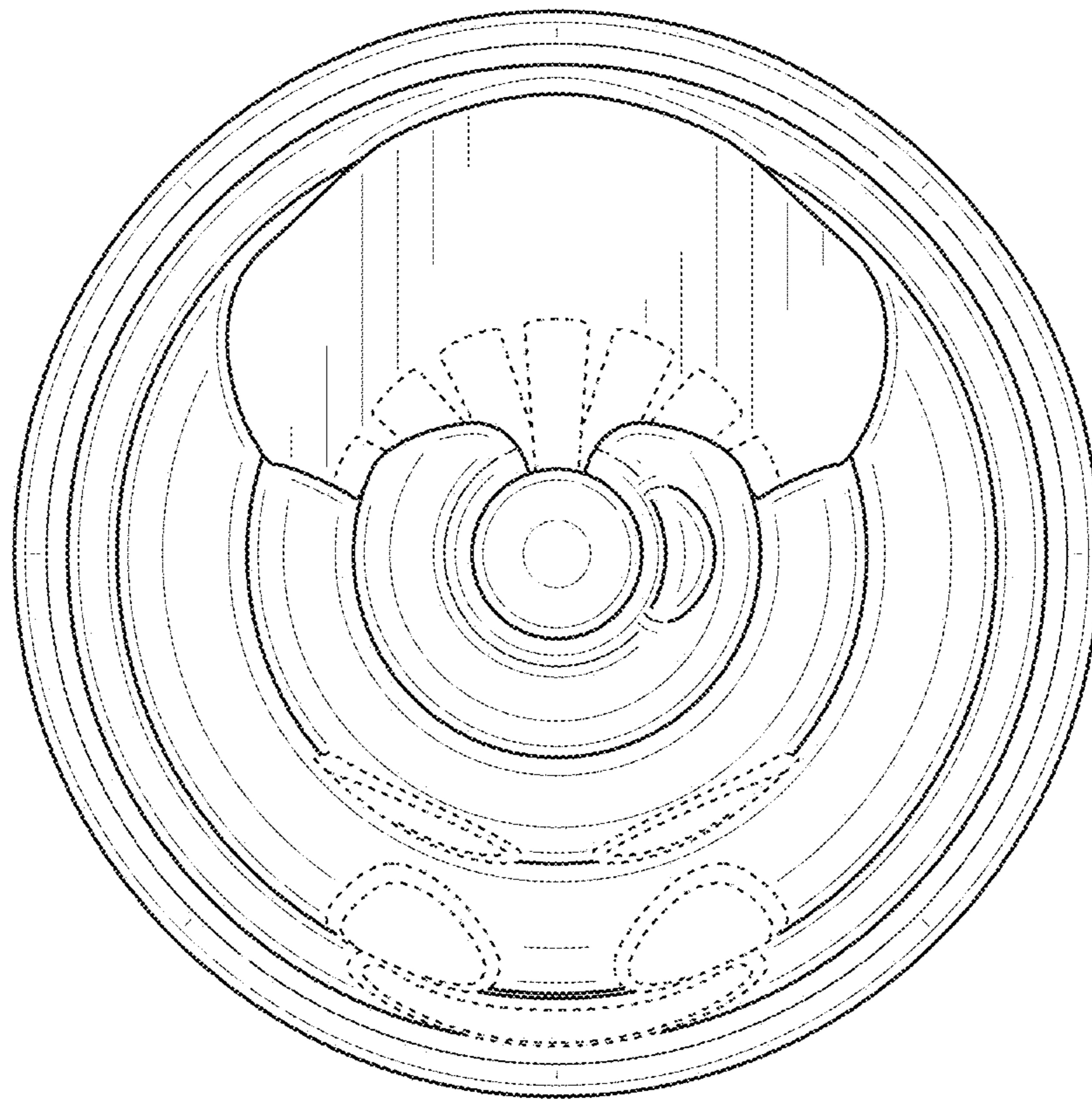


**FIG. 5**

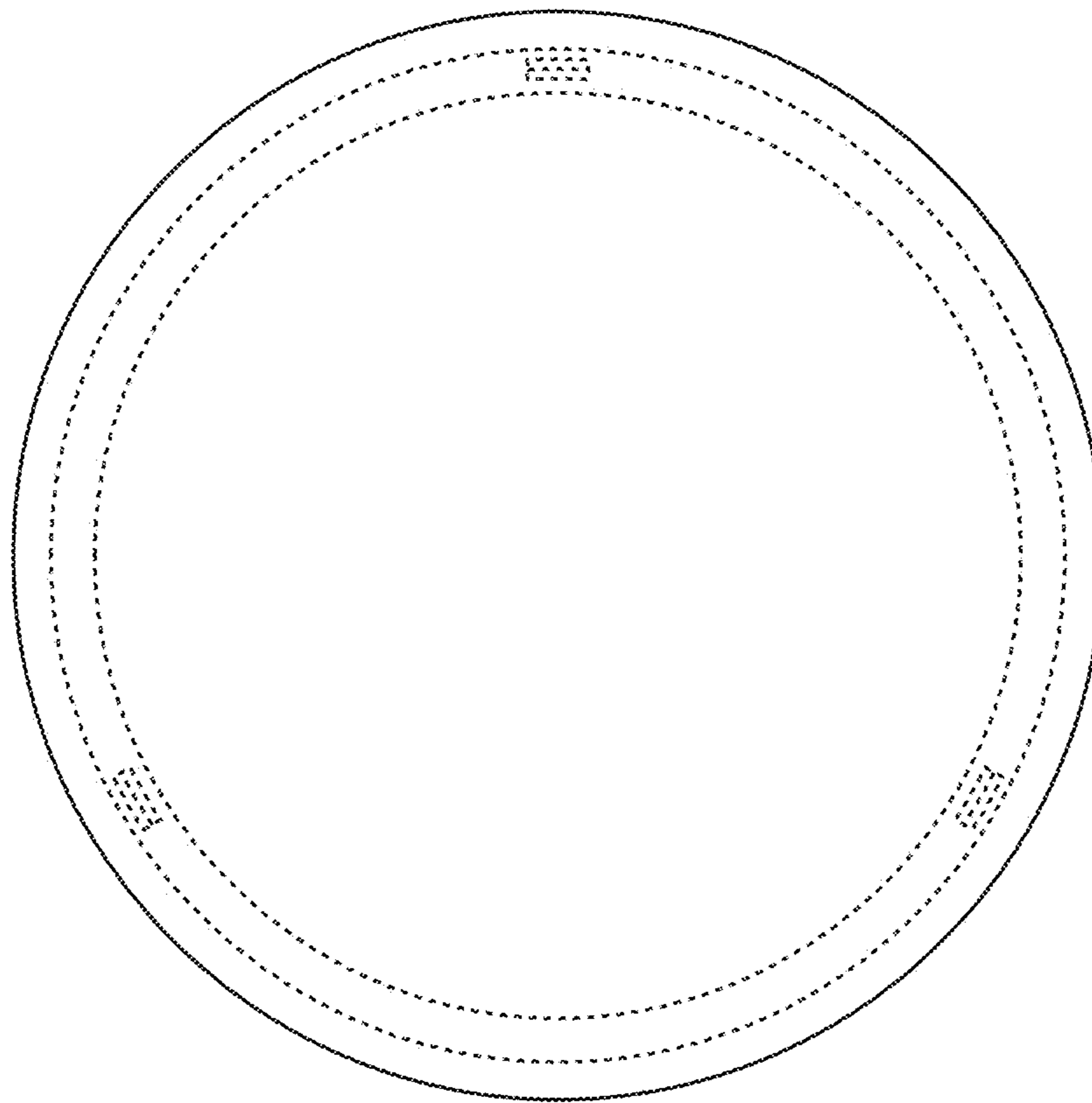


**FIG. 6**





**FIG. 7**



**FIG. 8**