



US00D943845S

(12) **United States Design Patent** (10) **Patent No.:** **US D943,845 S**  
**Li** (45) **Date of Patent:** **\*\* Feb. 15, 2022**

(54) **RECEIVER OF DOG TRAINING DEVICE**

(71) Applicant: **SHENZHEN DOGCARE INNOVATION & TECHNOLOGY CO., LTD.**, Guangdong (CN)

(72) Inventor: **Dong Li**, Guangdong (CN)

(73) Assignee: **SHENZHEN DOGCARE INNOVATION & TECHNOLOGY CO., LTD.**, Shenzhen (CN)

(\*\*) Term: **15 Years**

(21) Appl. No.: **29/746,338**

(22) Filed: **Aug. 13, 2020**

(30) **Foreign Application Priority Data**

Jul. 6, 2020 (CN) ..... 202030358941.9

(51) **LOC (13) Cl.** ..... **30-99**

(52) **U.S. Cl.**  
USPC ..... **D30/199; D10/104.1**

(58) **Field of Classification Search**  
USPC ..... D30/144, 151, 152, 153, 155, 156, 199;  
D10/104.1, 104.2, 105, 116.1; D14/137;  
119/712, 714, 716, 717, 718, 719, 720,  
119/722

CPC ..... A01K 15/02; A01K 15/022  
See application file for complete search history.

(56) **References Cited**

**U.S. PATENT DOCUMENTS**

D520,894 S \* 5/2006 Zakharyan ..... D30/199  
D632,853 S \* 2/2011 Hardi ..... D30/155  
D788,999 S \* 6/2017 Zinn ..... D30/199  
D835,364 S \* 12/2018 Lee ..... D30/199  
D853,666 S \* 7/2019 Ni ..... D30/199  
D858,904 S \* 9/2019 Zinn ..... D30/152  
D880,082 S \* 3/2020 Zinn ..... D30/152  
D881,162 S \* 4/2020 Zhu ..... D14/218

D888,353 S \* 6/2020 Lan ..... D30/199  
D895,908 S \* 9/2020 Yan ..... D30/152  
D898,613 S \* 10/2020 Stapleton ..... D11/216  
D899,012 S \* 10/2020 Zinn ..... D30/152  
D919,201 S \* 5/2021 Wang ..... D30/199  
D925,141 S \* 7/2021 Lai ..... D30/199  
D929,051 S \* 8/2021 Li ..... D30/199

**FOREIGN PATENT DOCUMENTS**

CN 306178338 \* 11/2020

**OTHER PUBLICATIONS**

“HaloPaw Dog Training Collar” available Aug. 11, 2021, [online], [site visited Nov. 16, 2021]. Retrieved from Internet, URL:https://www.amazon.com/HaloPaw-Training-Rechargeable-IPX7-Waterproof-Modes-Beep-Vibration/dp/B09CD77178/ref=sr\_1\_138 (Year: 2021).\*

\* cited by examiner

*Primary Examiner* — W. A. Teddy Falloway

*Assistant Examiner* — Katrina N Gonzalez

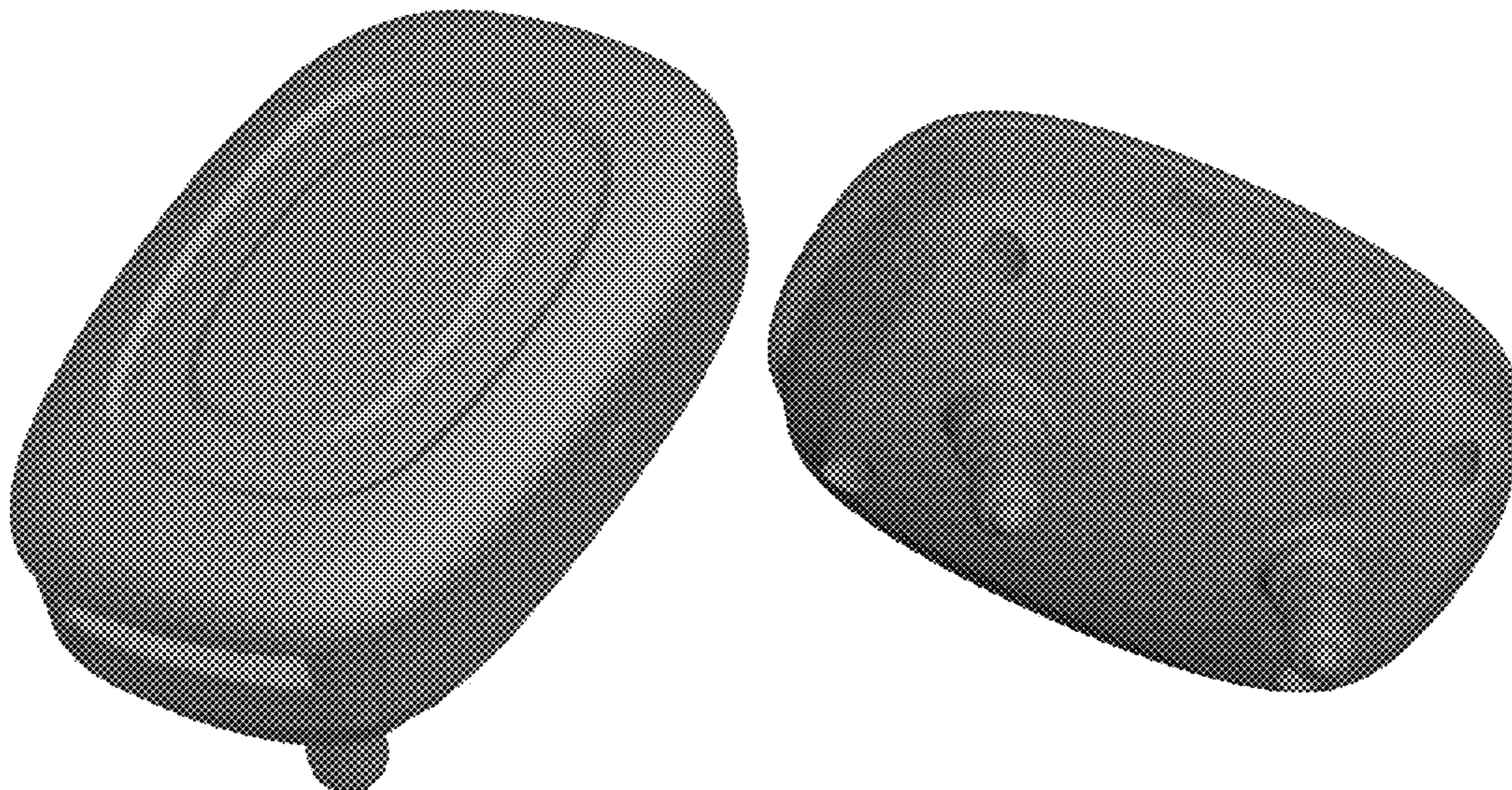
(57) **CLAIM**

The ornamental design for a receiver of dog training device, as shown and described.

**DESCRIPTION**

FIG. 1 is a front elevational view of a receiver of dog training device showing my new design; FIG. 2 is a rear elevational view thereof; FIG. 3 is a left side view thereof; FIG. 4 is a right side view thereof; FIG. 5 is a top plan view thereof; FIG. 6 is a bottom plan view thereof; FIG. 7 is a front, top and left side perspective view thereof; and, FIG. 8 is a rear, bottom and right side perspective view thereof.

**1 Claim, 8 Drawing Sheets**



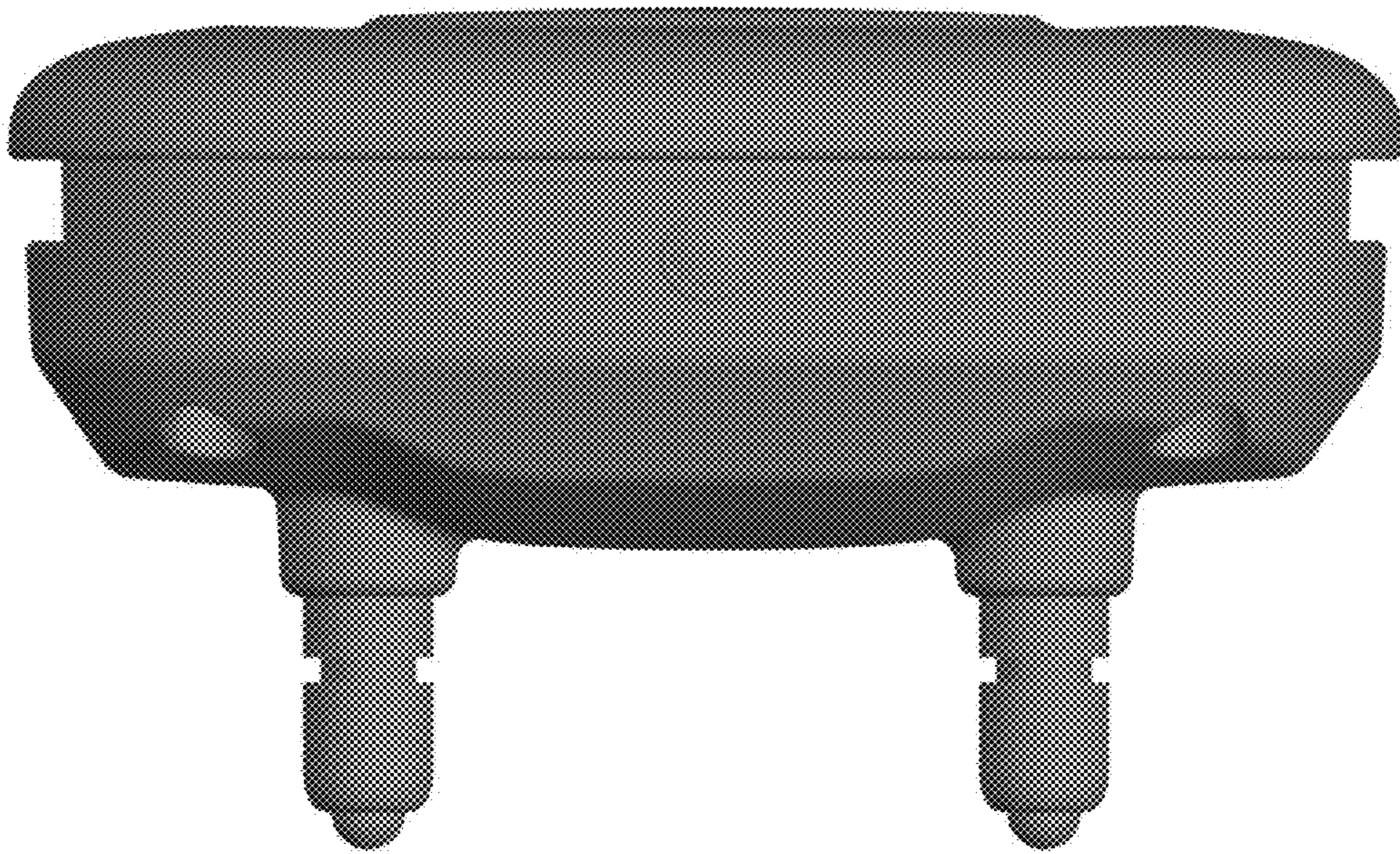


Fig. 1

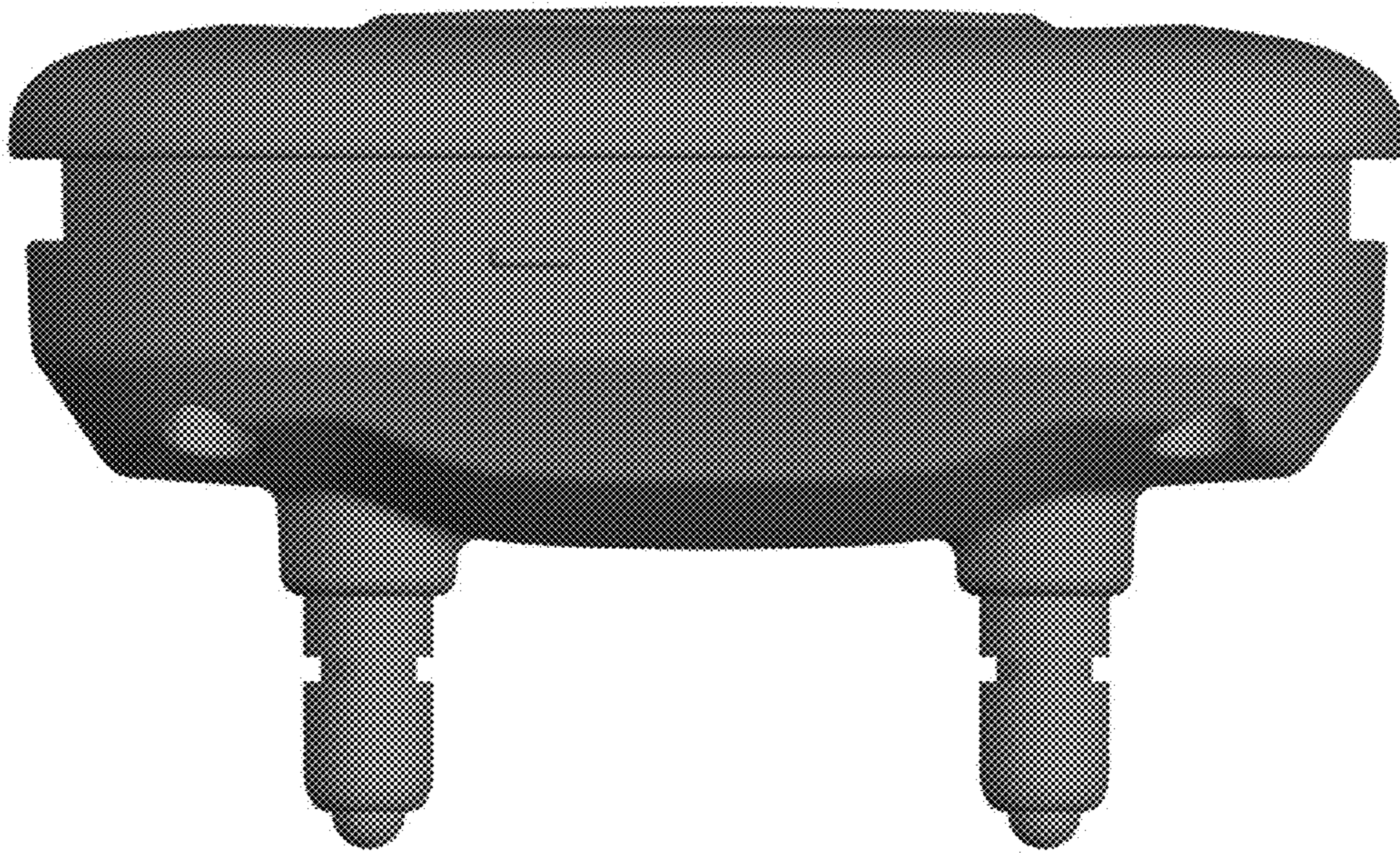


Fig. 2



Fig. 3

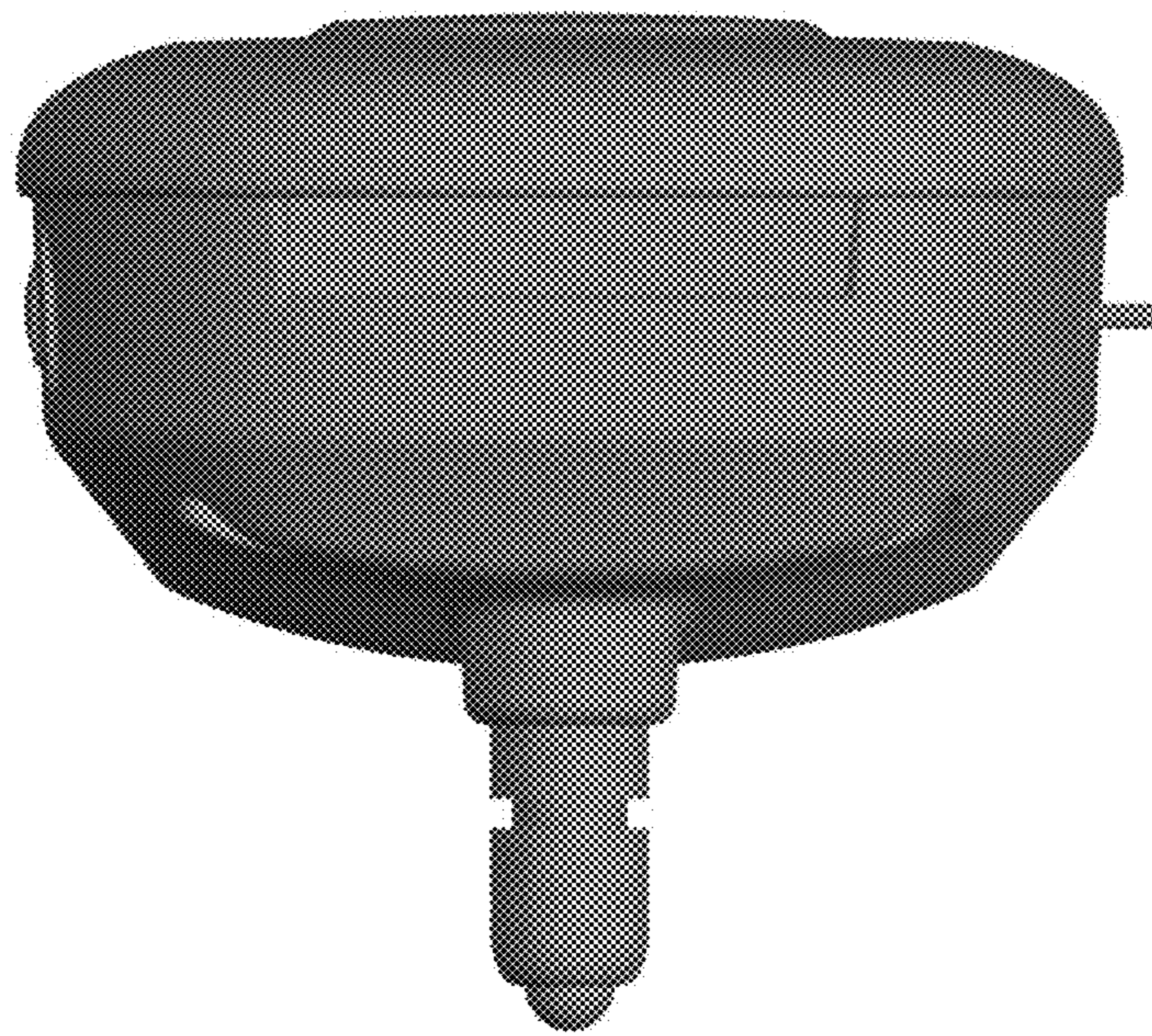


Fig. 4

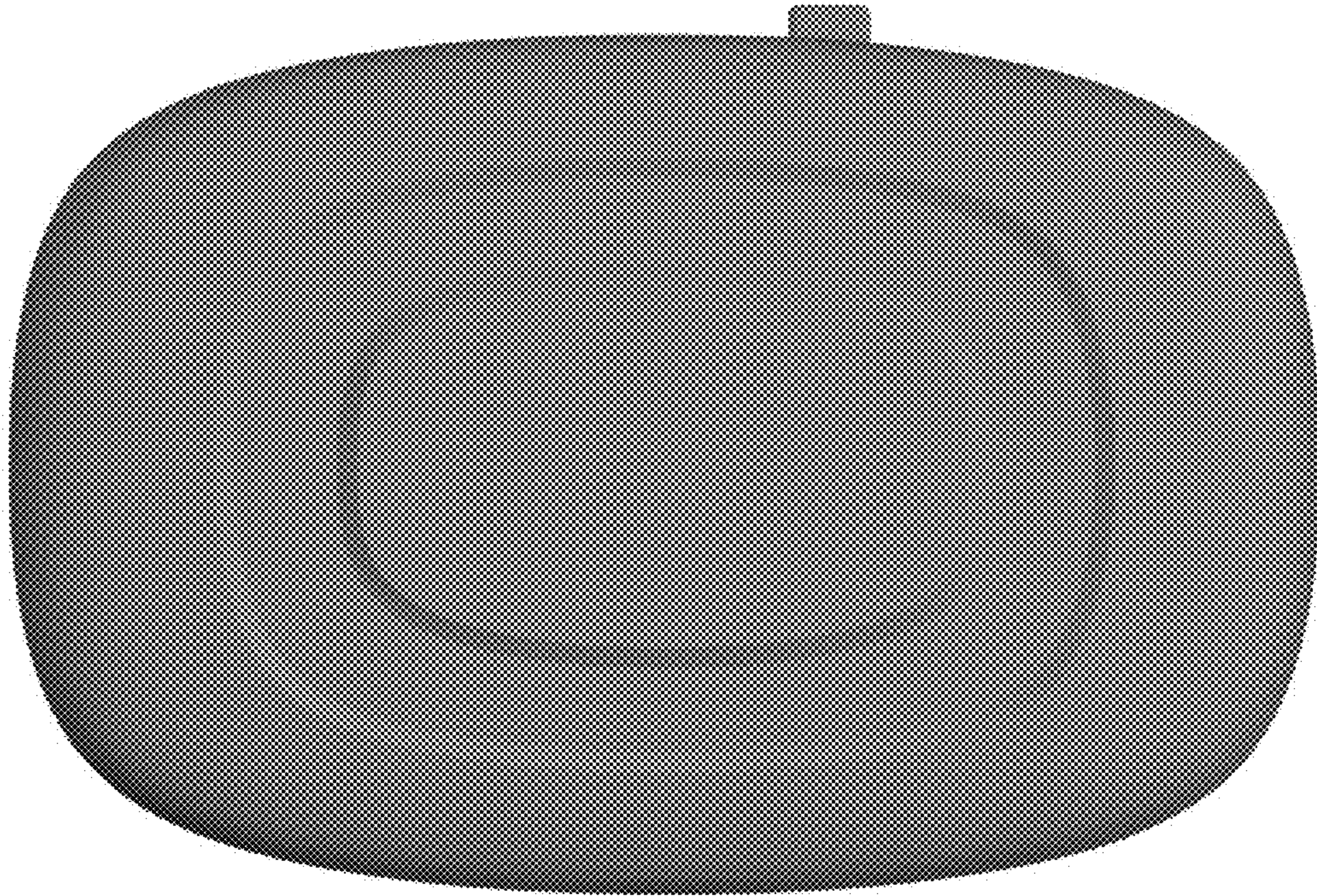


Fig. 5

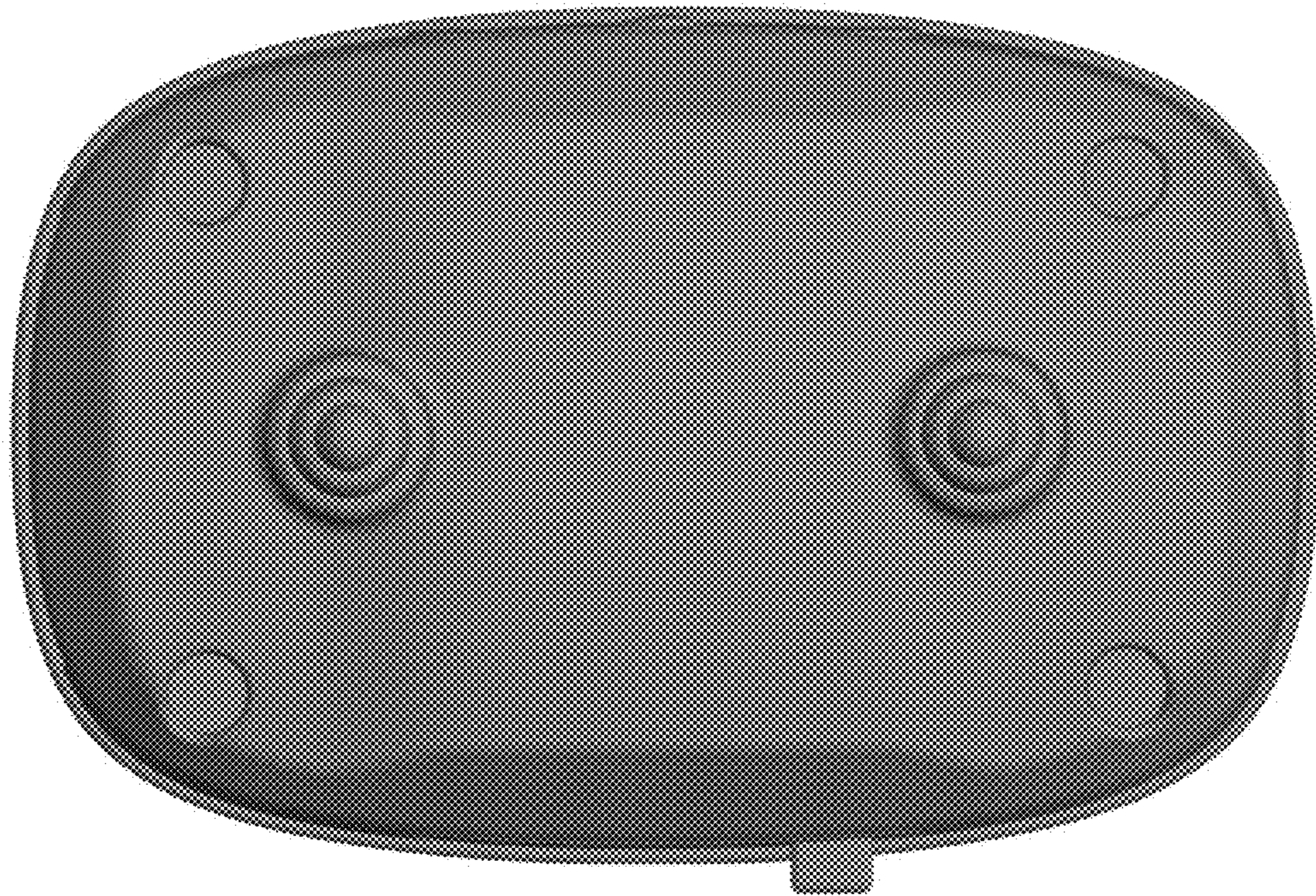


Fig. 6



Fig. 7





Fig. 8