



US00D943844S

(12) **United States Design Patent**
Li

(10) **Patent No.:** **US D943,844 S**

(45) **Date of Patent:** **** Feb. 15, 2022**

(54) **BARK CONTROL COLLAR**

(71) Applicant: **SHENZHEN DOGCARE
INNOVATION & TECHNOLOGY
CO., LTD.**, Guangdong (CN)

(72) Inventor: **Dong Li**, Guangdong (CN)

(73) Assignee: **SHENZHEN DOGCARE
INNOVATION & TECHNOLOGY
CO., LTD.**, Shenzhen (CN)

(**) Term: **15 Years**

(21) Appl. No.: **29/739,629**

(22) Filed: **Jun. 27, 2020**

(30) **Foreign Application Priority Data**

Apr. 13, 2020 (CN) 202030143559.6

(51) **LOC (13) Cl.** **30-99**

(52) **U.S. Cl.**
USPC **D30/199; D10/104.1**

(58) **Field of Classification Search**
USPC D30/144, 151, 152, 153, 155, 156, 199;
D10/104.1, 104.2, 105, 116.1; D14/137,
D14/188; 119/712, 714, 716, 717, 718,
119/719, 720, 722
CPC A01K 15/02; A01K 15/022
See application file for complete search history.

(56) **References Cited**

U.S. PATENT DOCUMENTS

D520,894 S *	5/2006	Zakharyan	D30/199
D798,003 S *	9/2017	Dong	D30/199
D816,918 S *	5/2018	Li	D30/152
D828,965 S *	9/2018	Wen	D30/199
D853,666 S *	7/2019	Ni	D30/199
D880,082 S *	3/2020	Zinn	D30/152
D888,353 S *	6/2020	Lan	D30/199
D890,456 S *	7/2020	Dai	D30/199

D895,908 S *	9/2020	Yan	D30/152
D899,012 S *	10/2020	Zinn	D30/152
D925,143 S *	7/2021	Jia	D30/199
D926,396 S *	7/2021	Jia	D30/199

(Continued)

FOREIGN PATENT DOCUMENTS

CN	304590508	*	4/2018
CN	305969376	*	8/2020
EM	004564292-0001	*	1/2018

OTHER PUBLICATIONS

“Dog Care Bark Collar” available May 30, 2018, [online], [site visited Nov. 16, 2021]. Retrieved from Internet, URL:https://www.amazon.com/DOG-CARE-Bark-Collar-Effective/dp/B07SR83Y1W/ref=sr_1_49 (Year: 2018).*

Primary Examiner — W. A. Teddy Falloway

Assistant Examiner — Katrina N Gonzalez

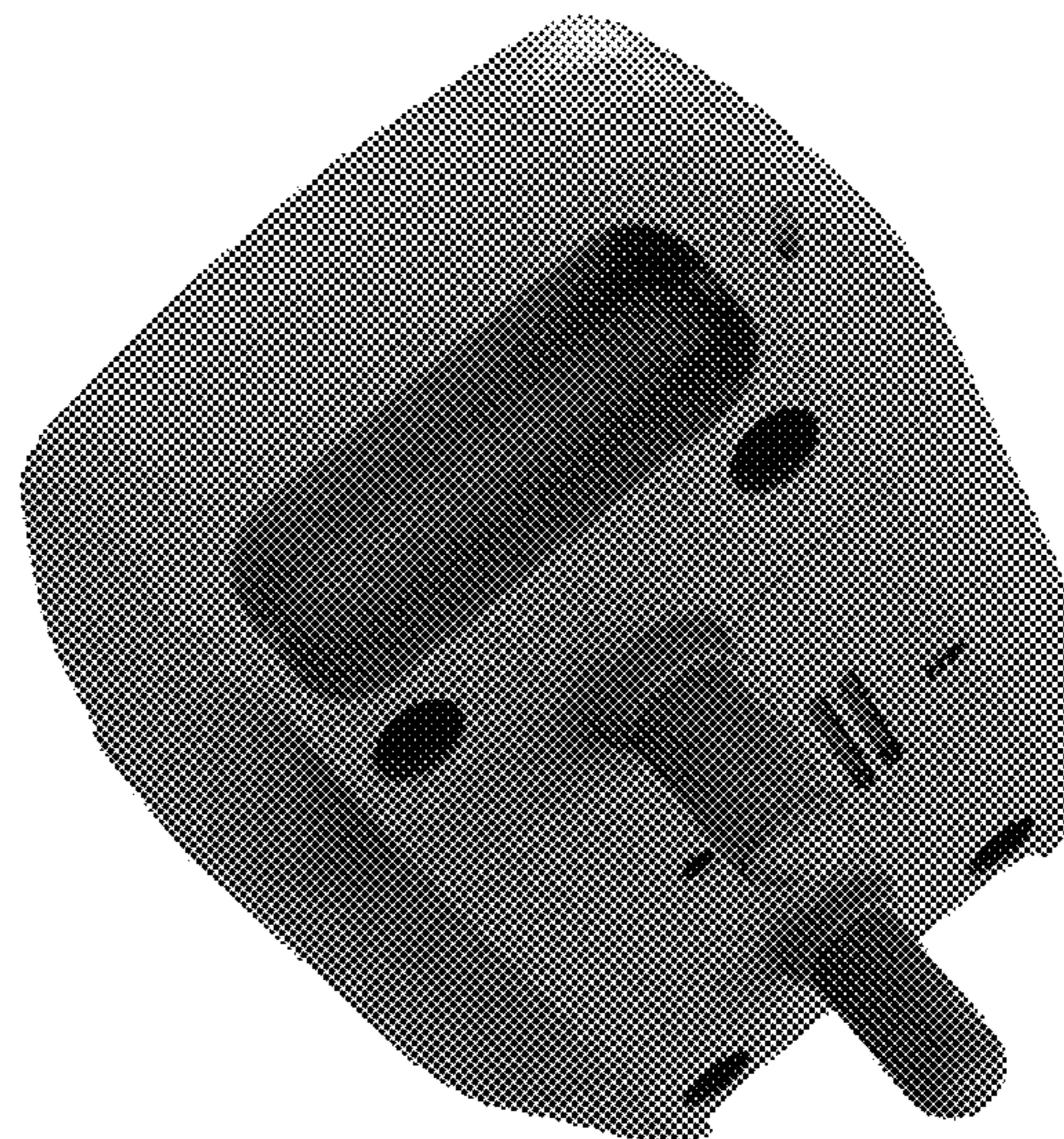
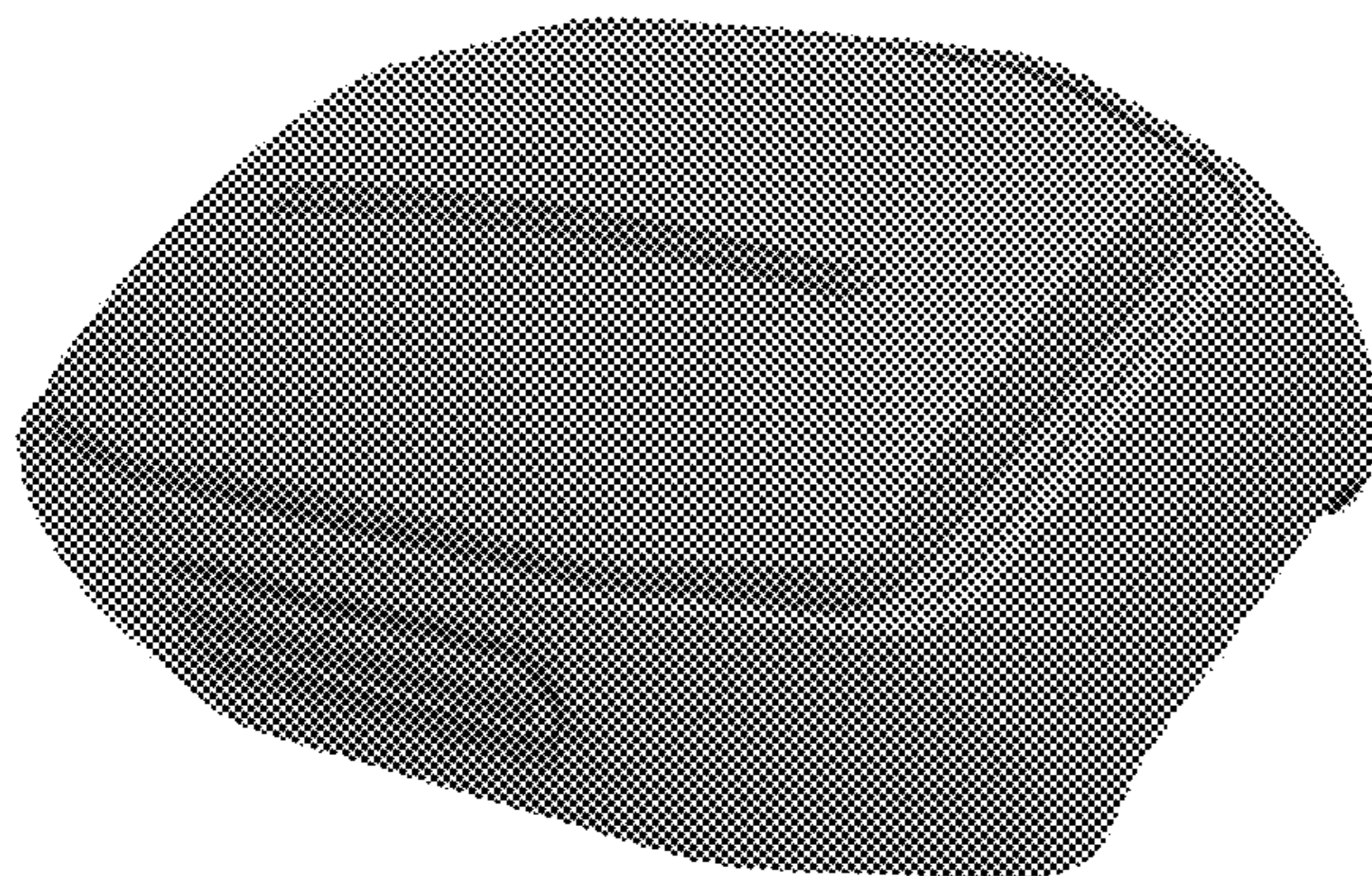
(57) **CLAIM**

The ornamental design for a bark control collar, as shown and described.

DESCRIPTION

FIG. 1 is a front elevational view of a bark control collar showing my new design;
FIG. 2 is a rear elevational view thereof;
FIG. 3 is a left side view thereof;
FIG. 4 is a right side view thereof;
FIG. 5 is a top plan view thereof;
FIG. 6 is a bottom plan view thereof;
FIG. 7 is a front, bottom and right side perspective view thereof;
FIG. 8 is a rear, bottom and right side perspective view thereof;
FIG. 9 is a rear, bottom and left side perspective view thereof; and,
FIG. 10 is a front, top and left side perspective view thereof.

1 Claim, 10 Drawing Sheets



(56)

References Cited

U.S. PATENT DOCUMENTS

D929,051 S * 8/2021 Li D30/199
D929,682 S * 8/2021 Li D30/199
2014/0261233 A1* 9/2014 So A01K 27/009
119/720

* cited by examiner

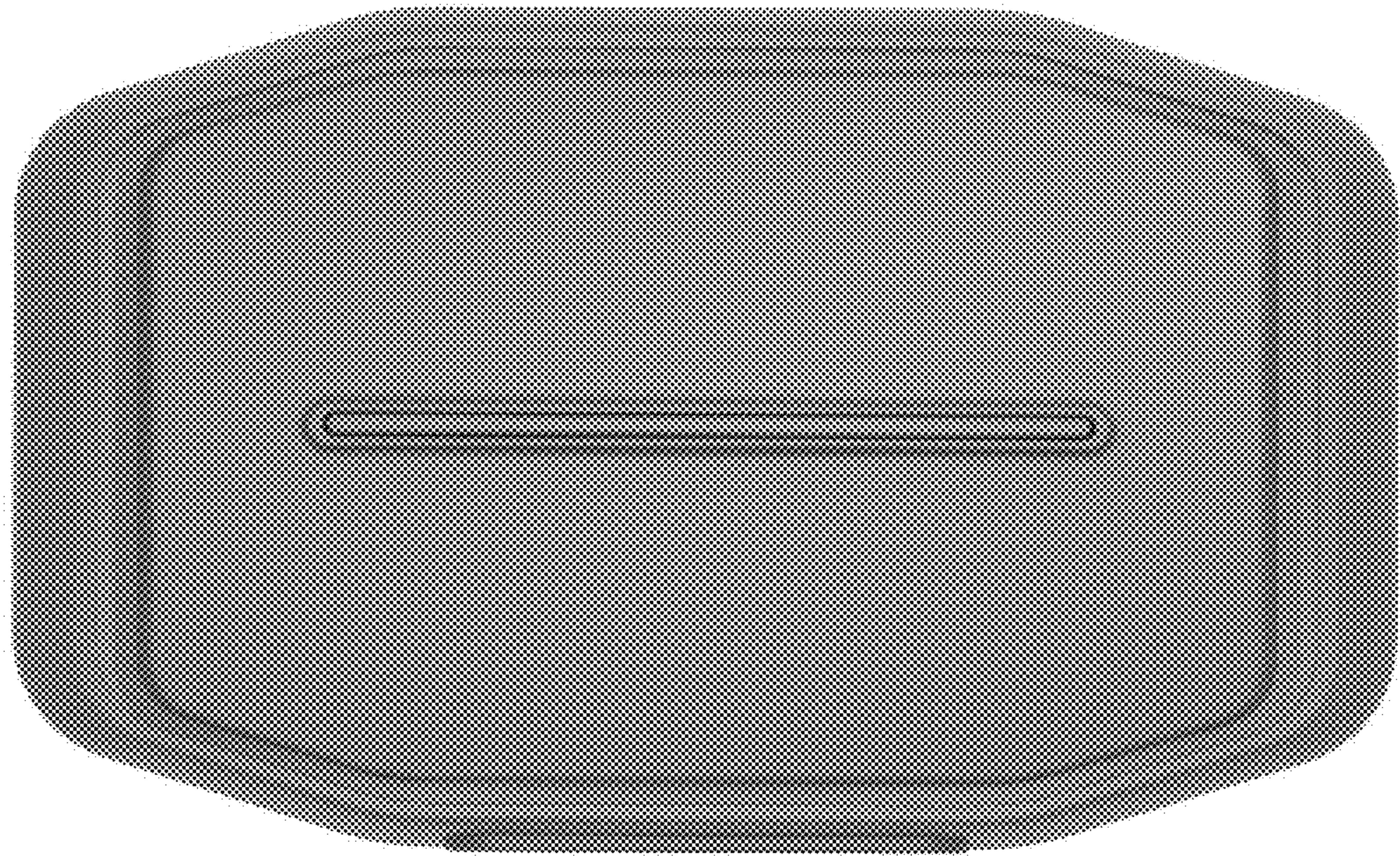


Fig. 1

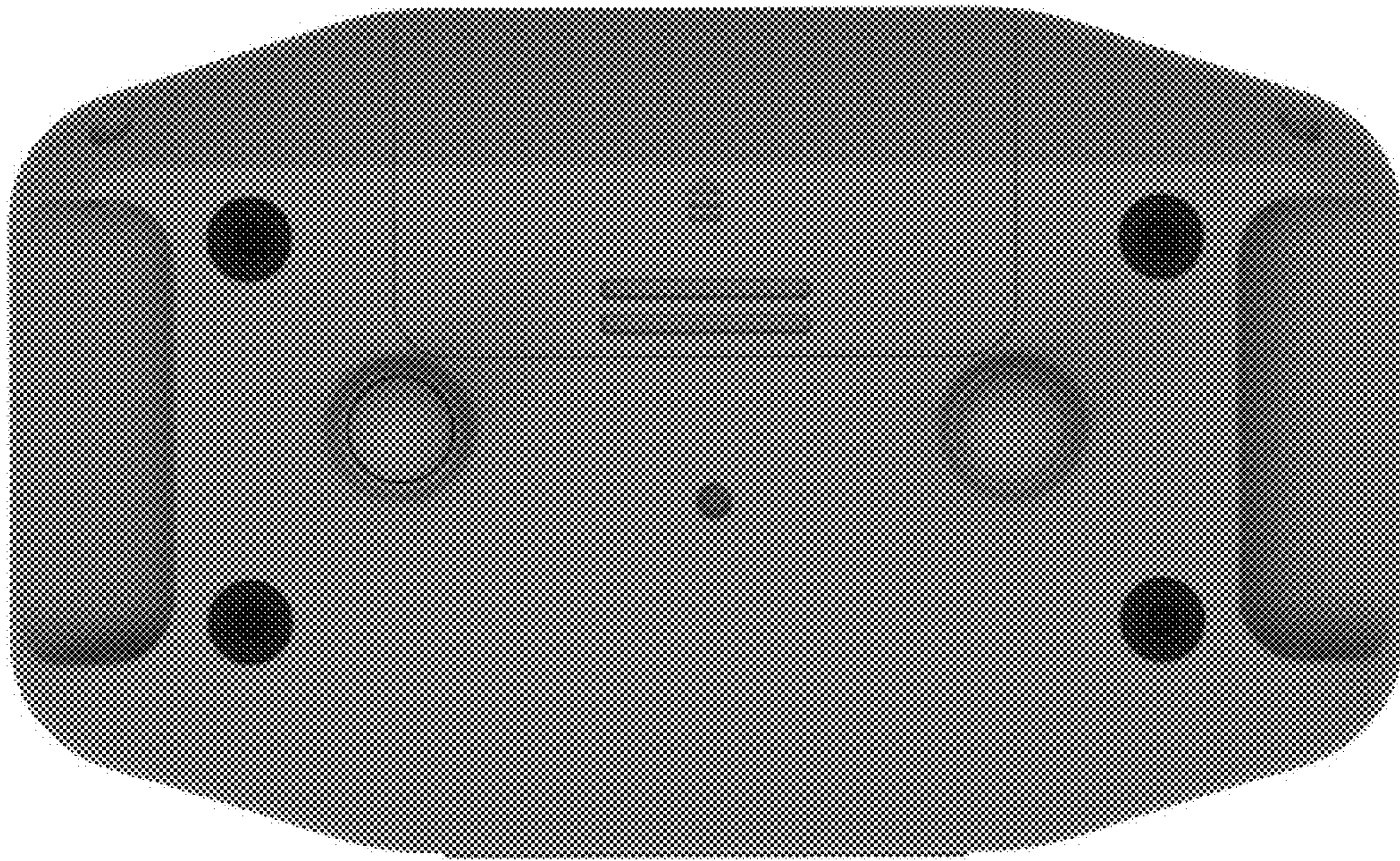


Fig. 2

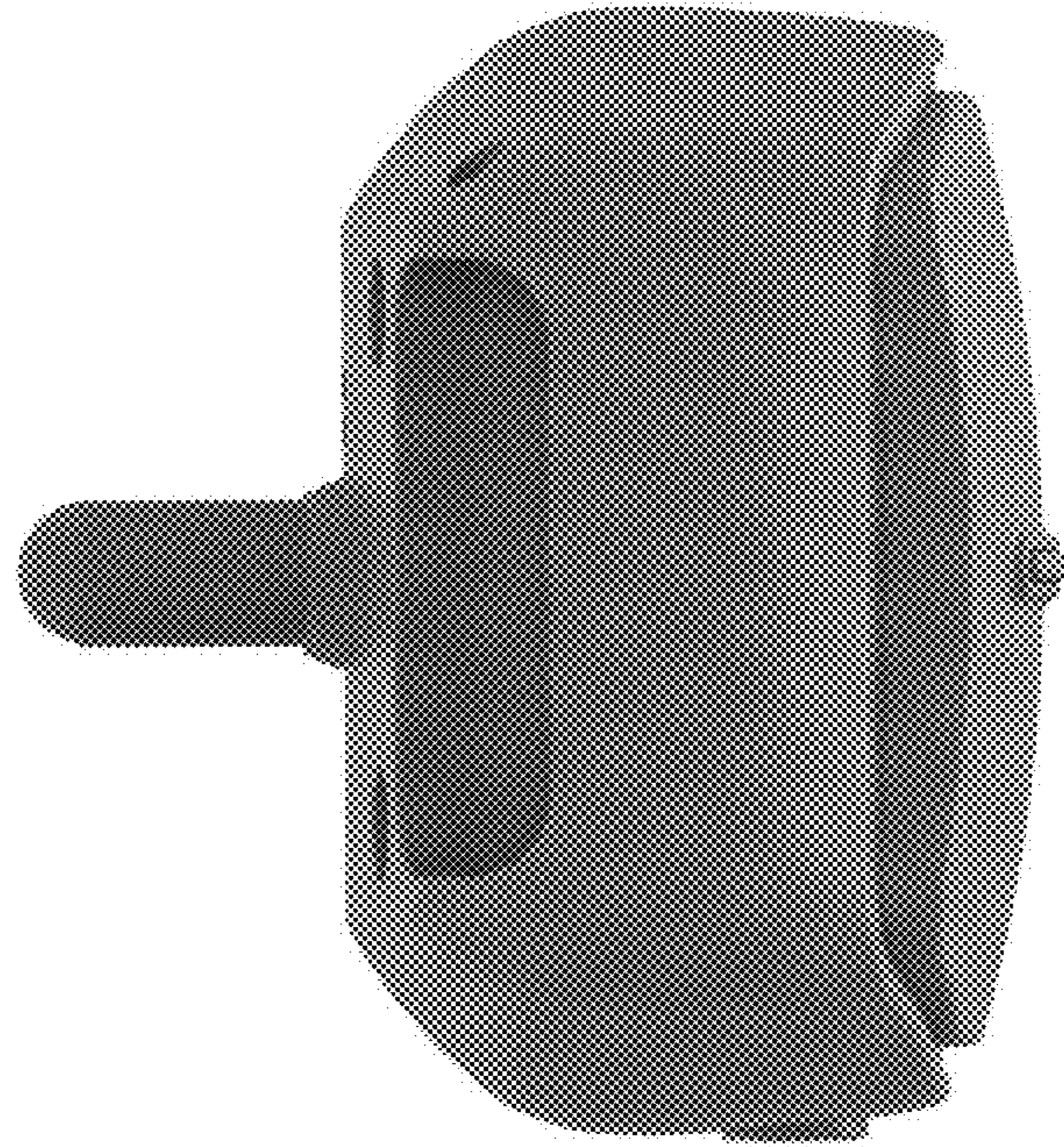


Fig. 3

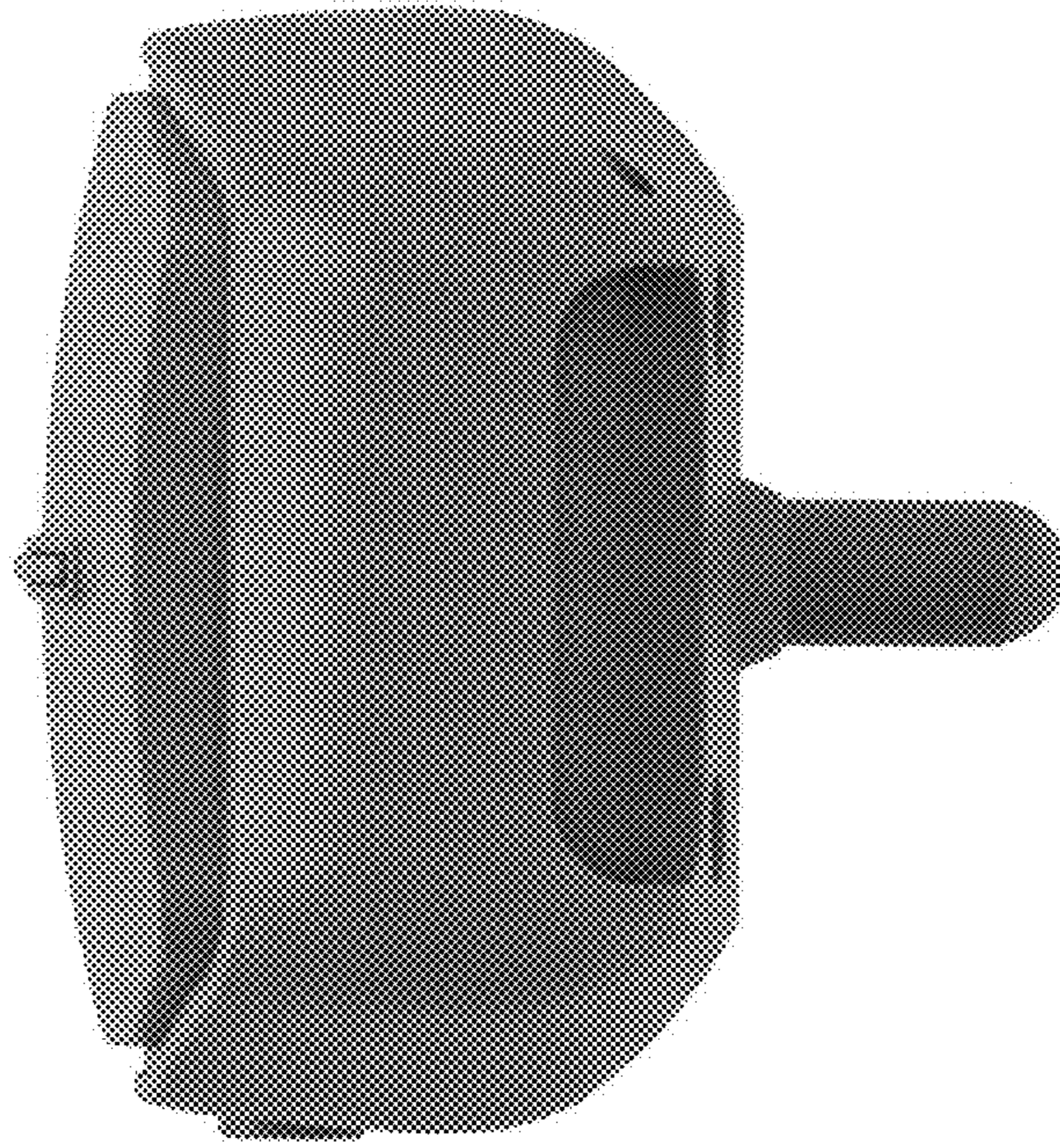


Fig. 4

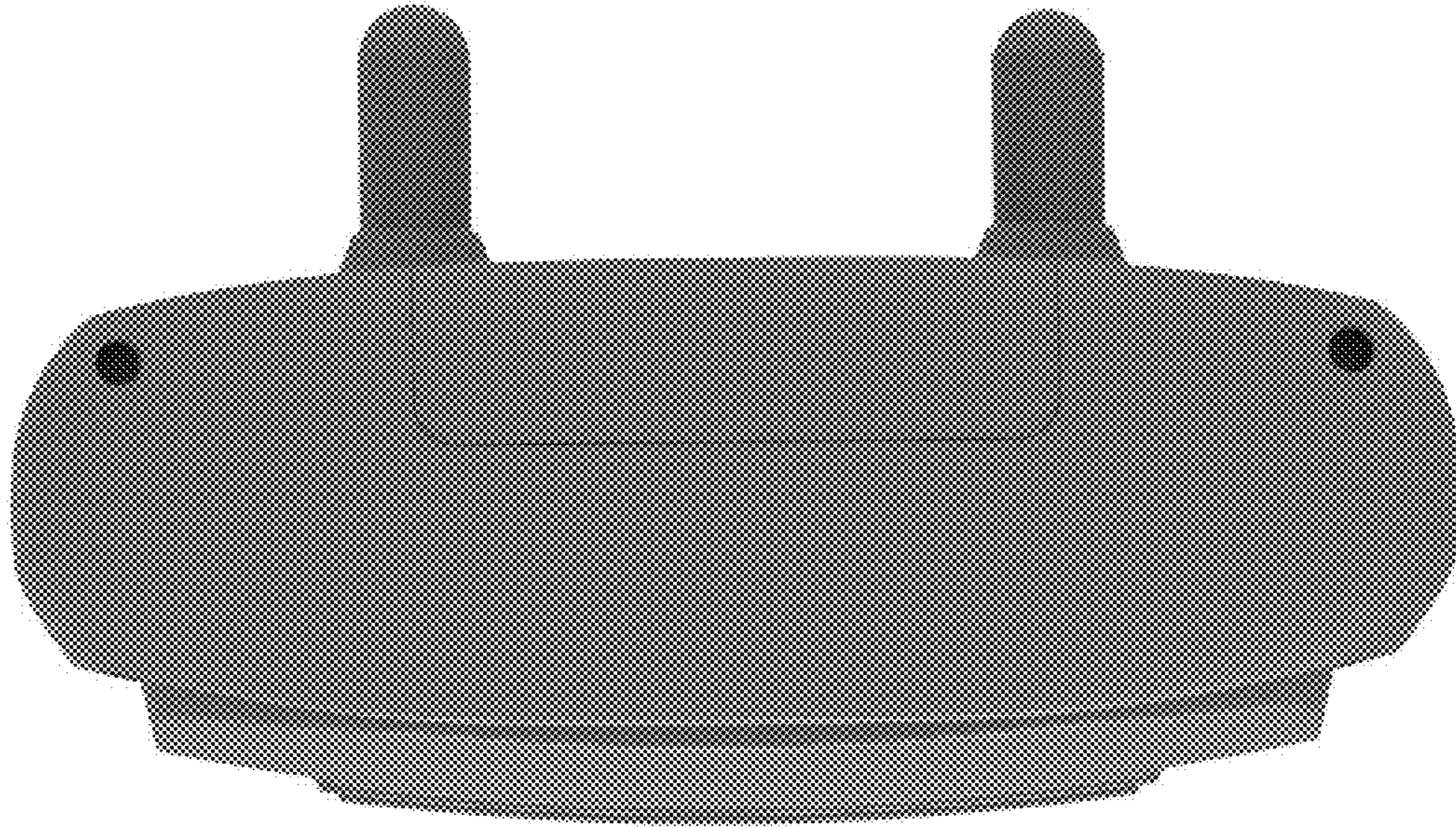


Fig. 5



Fig. 6



Fig. 7

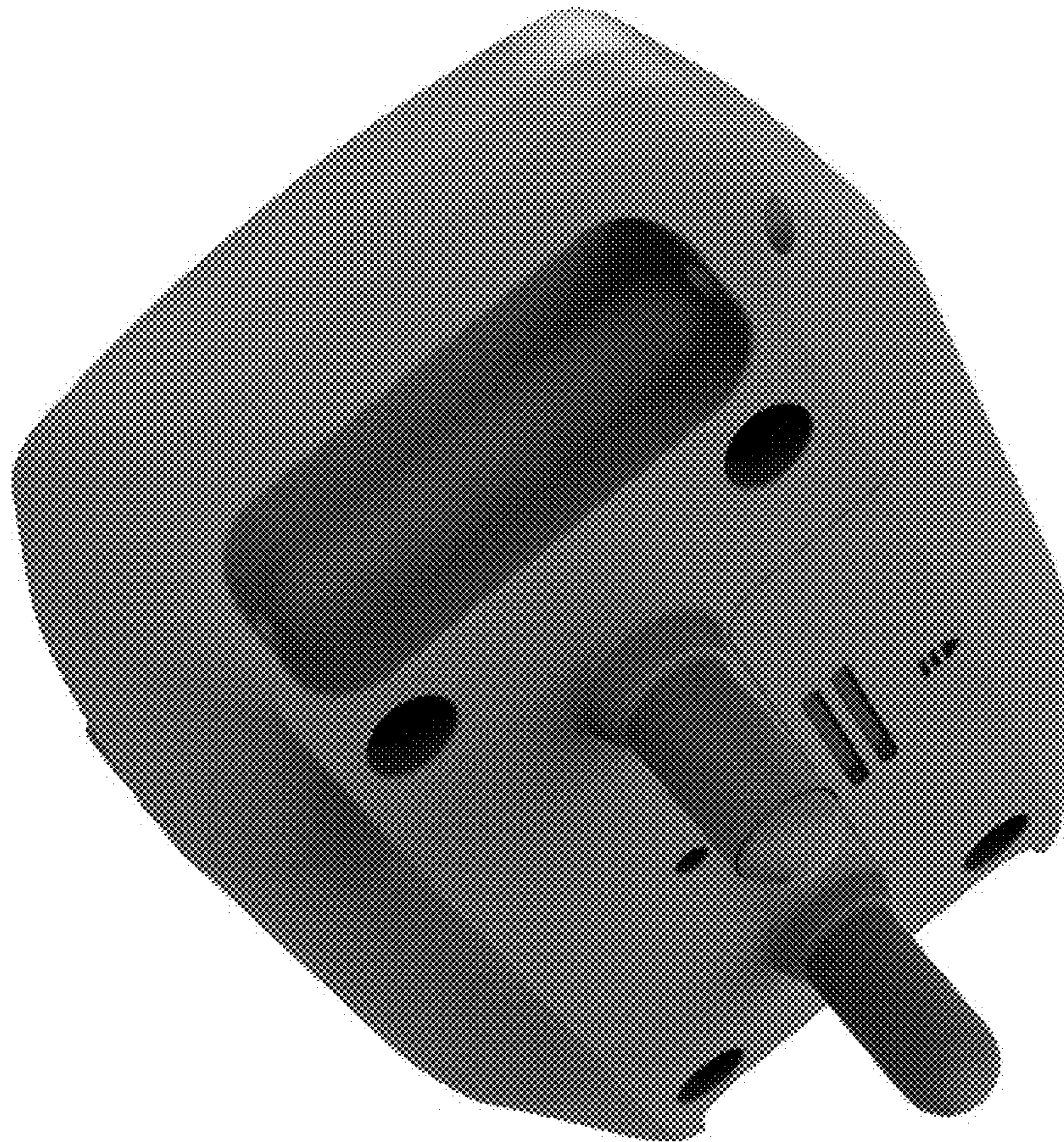


Fig. 8

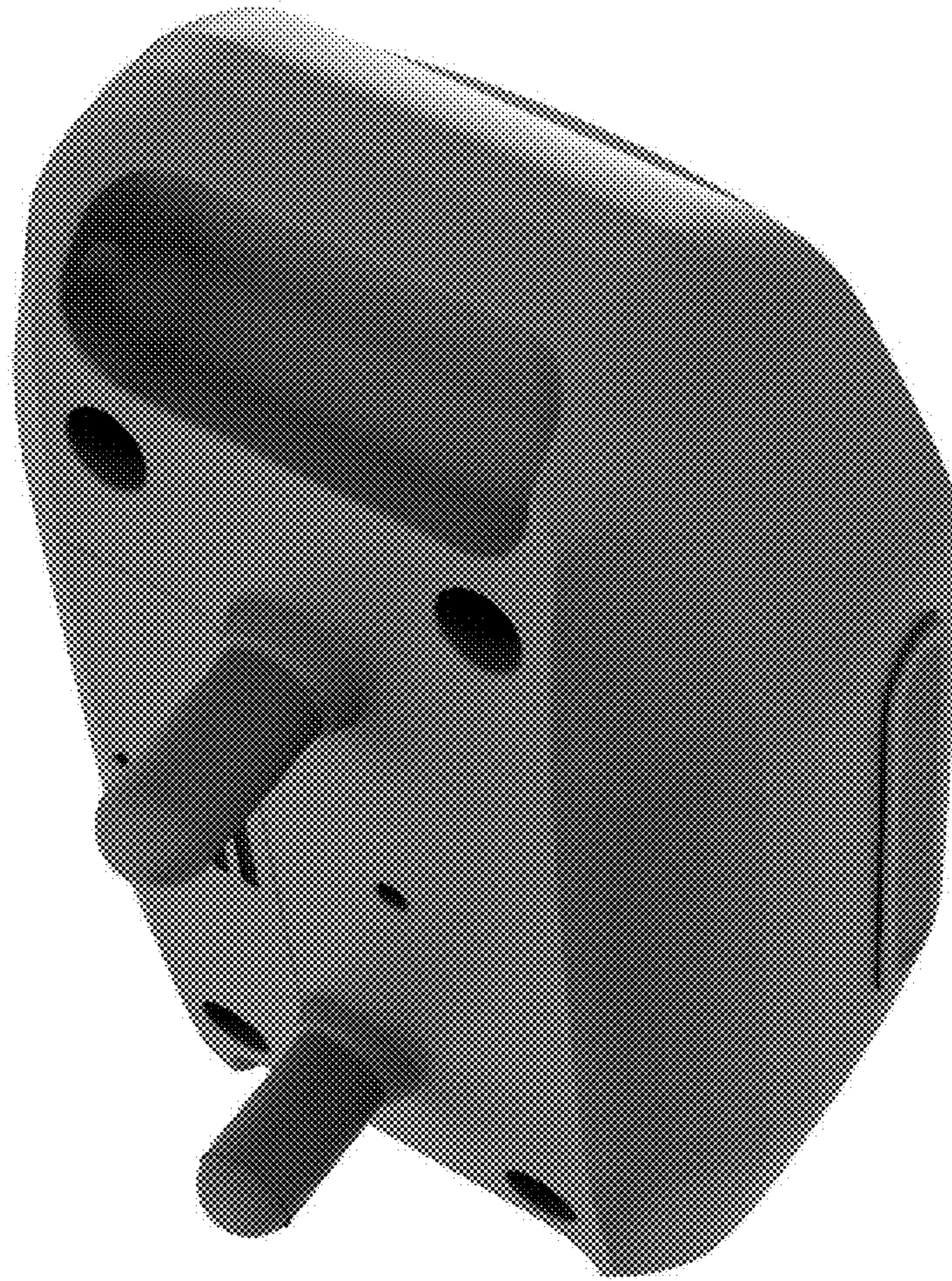


Fig. 9



Fig. 10