

US00D943843S

(12) **United States Design Patent**
Suchoplas

(10) **Patent No.:** **US D943,843 S**

(45) **Date of Patent:** **** Feb. 15, 2022**

(54) **CASTRATION TOOL**

(71) Applicant: **Jodi Suchoplas**, Durban (CA)

(72) Inventor: **Jodi Suchoplas**, Durban (CA)

(**) Term: **15 Years**

(21) Appl. No.: **29/664,407**

(22) Filed: **Sep. 25, 2018**

(51) **LOC (13) Cl.** **30-03**

(52) **U.S. Cl.**
USPC **D30/199**

(58) **Field of Classification Search**

USPC D30/199, 158, 159, 138, 144, 151-155;
606/137, 135; 119/174, 600, 601,
119/611-632, 650-653, 712, 769-776,
119/786-799, 801, 858, 863, 865;
30/290, 289, 335, 314, 294, DIG. 3, 280;
D13/168, 108, 107, 184, 147, 118, 119,
D13/103, 106; D11/1, 2, 14, 26-29,
D11/89-92, 44, 48, 81, 99; D21/329;
382/115, 124, 125-127, 313, 321;
902/3-5; 400/489; 379/433.07;
312/223.2, 263; 348/836-839, 843, 66;
220/783; 362/157, 158; D26/37, 45, 50,
D26/38, 40; D23/213; D22/117;
D28/35; D14/480.5, 484.1, 480.3, 480.4,
D14/480.1, 435.1, 507, 510, 154, 158,
D14/163, 160, 167, 168, 171, 172, 192,
D14/193, 196, 203.1, 203.3, 203.5, 226,
D14/238.1, 242, 356, 357, 358, 359, 637,
D14/496; D9/415; D3/207, 208, 209;
358/473; 235/462.43, 462.45, 462.47,
235/462.48, 462.44, 462.46, 487, 472.01,
235/472.02; 16/110.1, 430, 431;
439/133, 135; 709/219, 201; 710/73;
320/114, 115, 123; 361/679; 455/575.1,
455/561, 571; 433/29, 37, 72, 114, 116;
63/26-28, 32; 7/151, 158, 161, 162;

81/3.07, 3.09, 3.4, 488; D8/98, 102, 14,
D8/18, 26, 34, 33, 55, 105, 356, 499;
D10/78, 104, 116, 70, 47, 106.1, 57, 103,
D10/106.9
CPC . A61D 1/06; A61D 1/00; A61D 1/005; A61D
1/04; D06H 7/02; D06H 7/00; D06H
7/005; B26B 27/00; B26B 5/00; B26B
29/00; B43M 7/002; A01K 13/00; A01K
13/002; A01K 13/003; A01K 27/00-009;
Y10S 30/03; A45F 3/00; A45F 2003/001;
A45F 4/00; A45F 2005/002; A45F
2005/006; A45F 2005/008; A45F
2005/026; A45F 5/004; A45F 2200/0575;
A63B 27/00; F16B 45/00-06

See application file for complete search history.

(56) **References Cited**

U.S. PATENT DOCUMENTS

527,309 A * 10/1894 Anderson A61D 1/06
606/137
1,073,756 A 9/1913 Higgason
(Continued)

Primary Examiner — Susan Moon Lee
(74) *Attorney, Agent, or Firm* — Cramer Patent & Design,
PLLC; Aaron R. Cramer

(57) **CLAIM**

The ornamental design for a castration tool, as shown and
described.

DESCRIPTION

FIG. 1 is a perspective top front right view of a castration
tool, showing my new design;
FIG. 2 is a perspective top rear left view thereof;
FIG. 3 is a front elevation view thereof;
FIG. 4 is a rear elevation view thereof;
FIG. 5 is a right elevation view thereof, wherein the left
elevation view is a mirror image thereof; and,

(Continued)

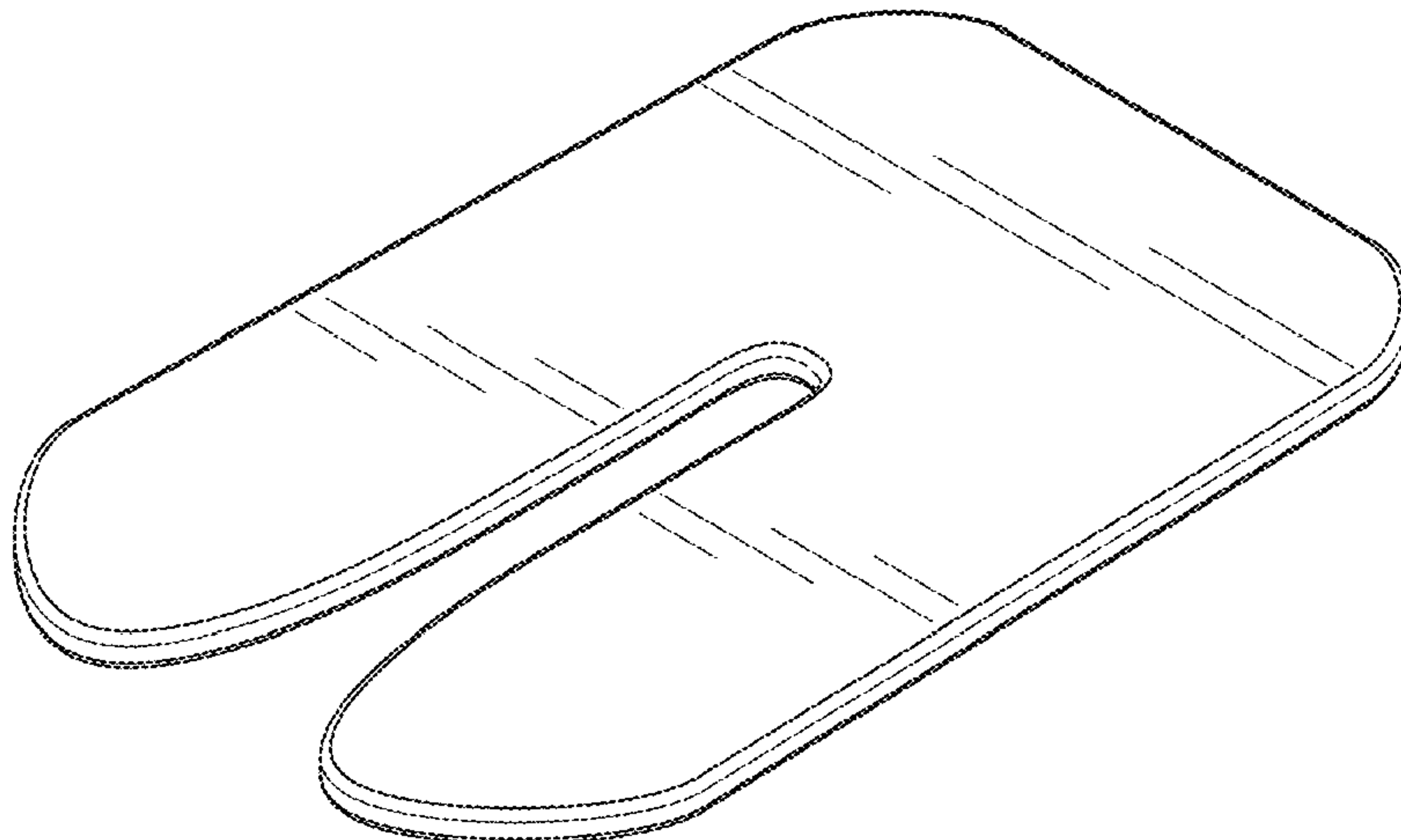


FIG. 6 is a top plan view thereof, wherein the bottom plan view is an identical image thereof.

1 Claim, 4 Drawing Sheets

(56)

References Cited

U.S. PATENT DOCUMENTS

1,498,081 A * 6/1924 Evarts B26B 27/00
30/290
1,550,403 A * 8/1925 Turkus A61B 17/02
606/1
2,007,491 A * 7/1935 Anderson B26B 27/00
30/290
2,050,449 A * 8/1936 Muter A61D 1/06
606/136
2,312,143 A * 2/1943 Atkins D06H 7/02
30/290
2,726,448 A * 12/1955 Smith B26B 27/00
30/290
3,028,670 A * 4/1962 Tilly B43M 7/002
30/294
3,290,780 A * 12/1966 Oehlert B43M 7/002
30/294
4,033,352 A 7/1977 van Reenen
4,120,301 A * 10/1978 Lovick A61D 1/06
606/135
4,524,516 A * 6/1985 Wiechard B29C 45/14
264/250
4,680,861 A * 7/1987 Meurer B60R 22/32
248/37.3
4,691,704 A 9/1987 Wadsworth
D294,797 S * 3/1988 Itoh D8/98
5,046,253 A * 9/1991 Ireland B26B 27/00
30/289
D329,798 S * 9/1992 Kramer D8/102
5,188,637 A 2/1993 Wadsworth

D342,201 S * 12/1993 Hsu D8/102
D362,168 S * 9/1995 Mancini D8/98
5,524,348 A * 6/1996 Tipp B67B 7/30
30/2
D372,184 S * 7/1996 Bender, Jr. D8/102
D372,655 S * 8/1996 Lin D8/102
D377,595 S * 1/1997 Wiezenthal D8/98
5,591,176 A 1/1997 Henderson et al.
D379,057 S * 5/1997 Lin D8/102
D379,421 S * 5/1997 Friedman D8/98
5,720,062 A * 2/1998 Vaught B25C 11/00
7/160
5,724,738 A * 3/1998 Ballarini B43M 7/002
30/294
D401,492 S * 11/1998 Joseph, Jr. D8/98
D405,674 S * 2/1999 Reidenbach D8/102
D421,889 S * 3/2000 Moore D8/102
6,270,507 B1 8/2001 Callicrate
6,371,844 B1 * 4/2002 Holler A22B 5/168
30/278
6,409,738 B2 6/2002 Callicrate
D498,404 S * 11/2004 Schmidt D8/98
7,371,242 B2 5/2008 Wadsworth et al.
D590,687 S * 4/2009 Ireland D8/98
7,866,049 B2 * 1/2011 Brawner B67B 7/92
30/294
D637,883 S * 5/2011 Yu Chen D8/98
D655,995 S * 3/2012 Ireland D8/98
D655,996 S * 3/2012 Ireland D8/98
D687,287 S * 8/2013 Yu Chen D8/98
D692,288 S * 10/2013 Locklear D8/98
8,702,728 B2 4/2014 Callicrate et al.
D710,667 S * 8/2014 Purnomohadi D8/20
9,271,735 B2 3/2016 Callicrate et al.
D767,966 S * 10/2016 Standlee D8/98
D767,967 S * 10/2016 Standlee D8/98
D800,479 S * 10/2017 Wilkinson D6/592
D811,593 S 2/2018 Callicrate et al.
2005/0080433 A1 4/2005 Porter

* cited by examiner

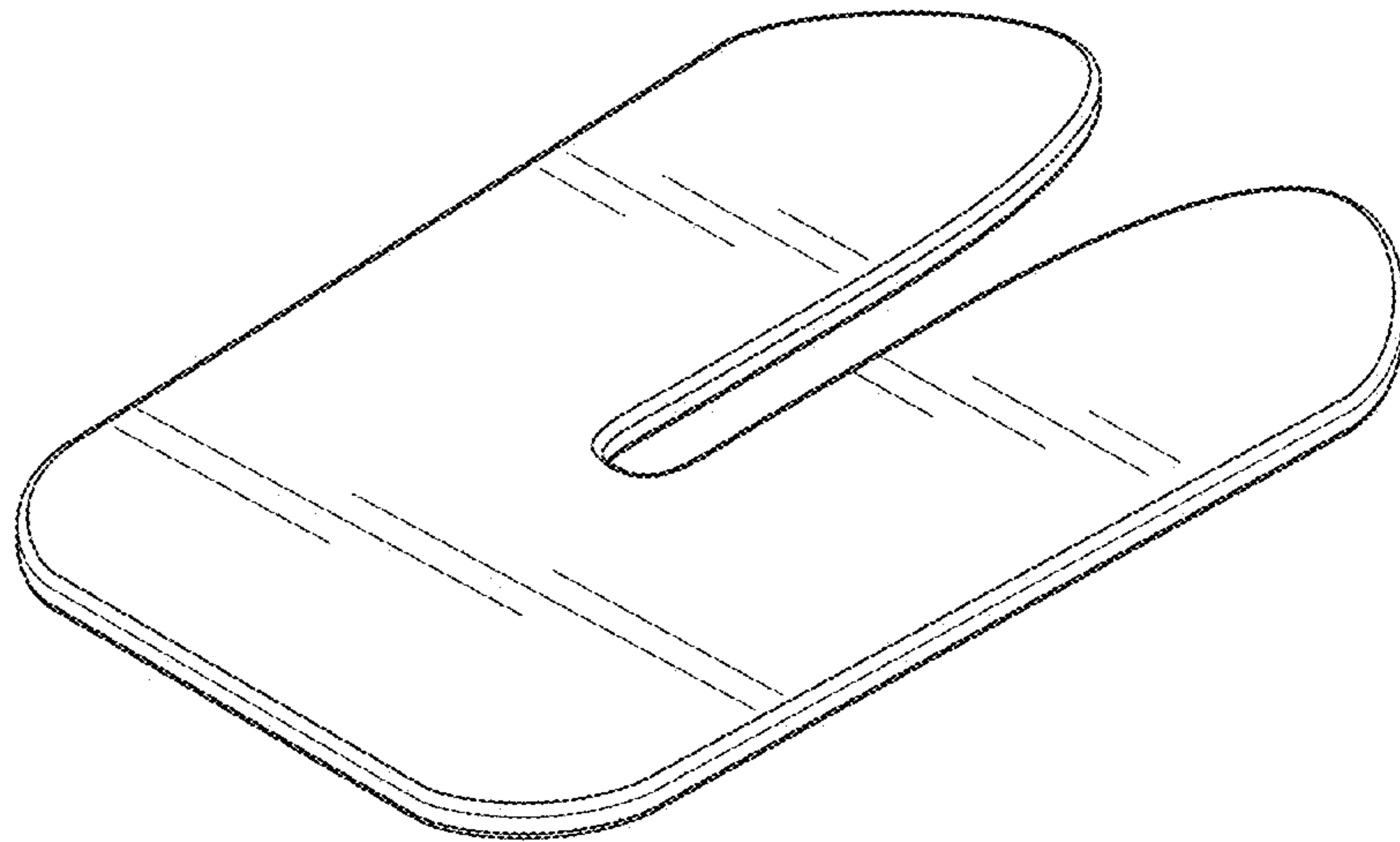


FIG. 1

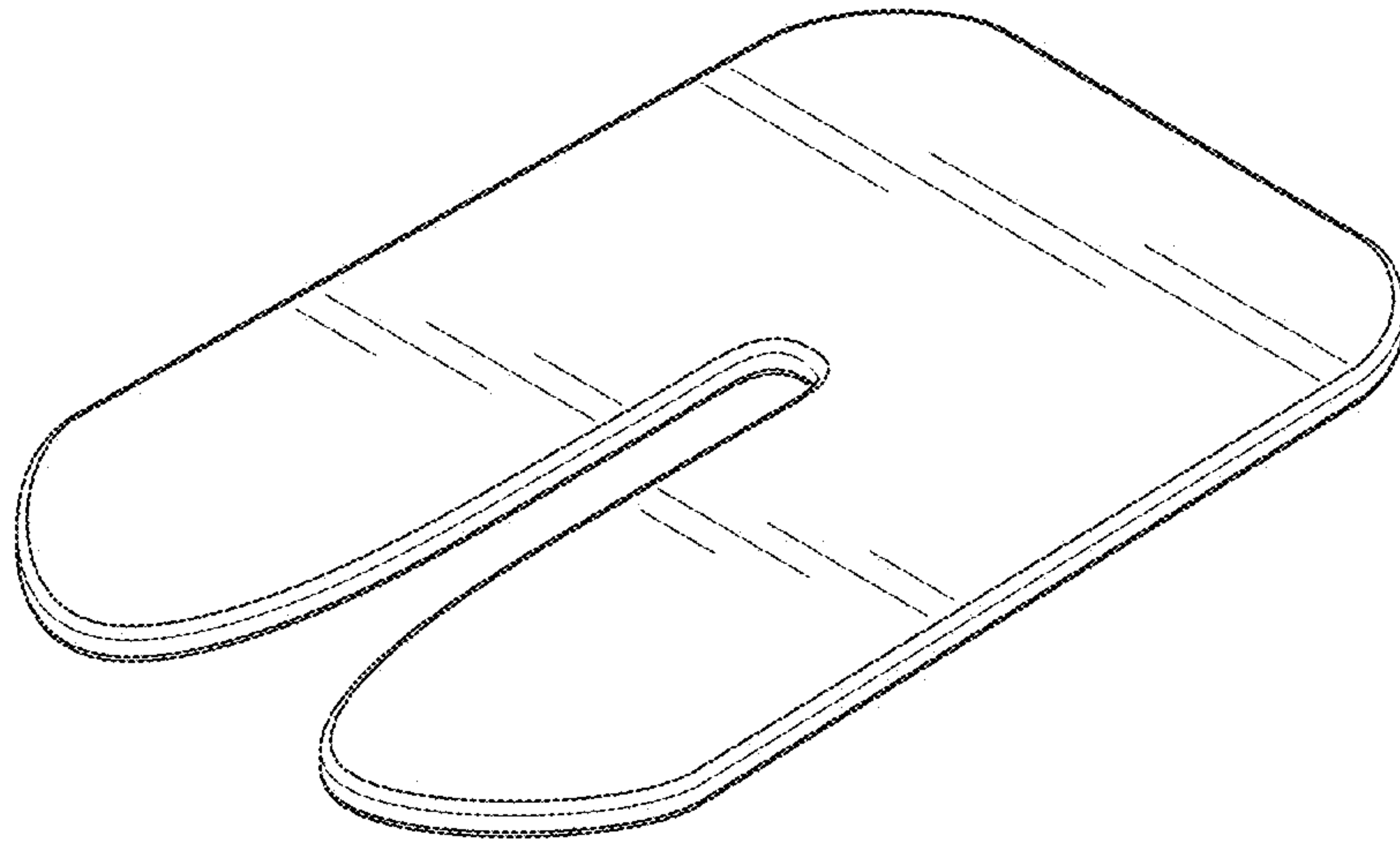


FIG. 2

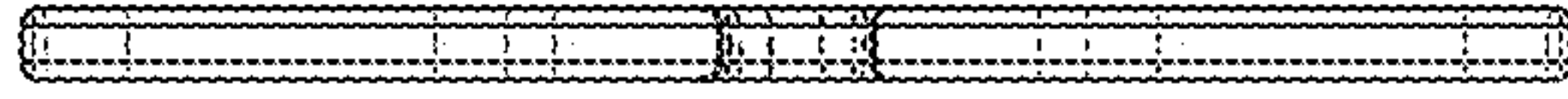


FIG. 3

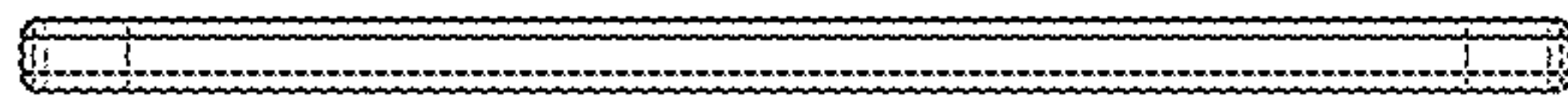


FIG. 4

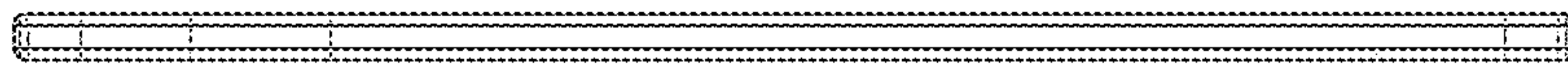


FIG. 5

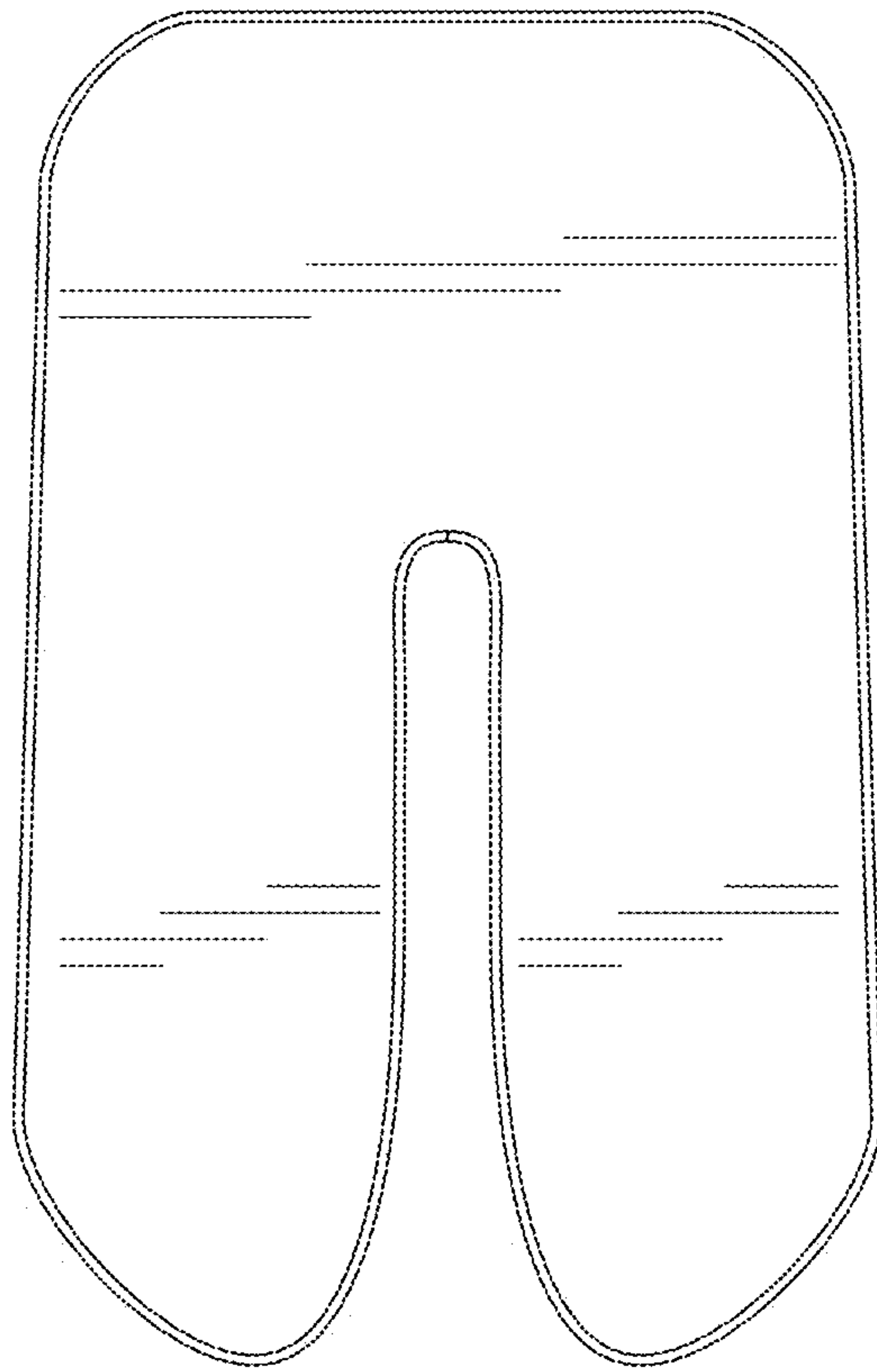


FIG. 6