



US00D943841S

(12) **United States Design Patent** (10) **Patent No.:** **US D943,841 S**  
**Fan** (45) **Date of Patent:** **\*\* Feb. 15, 2022**

(54) **CAT TOY**

(71) Applicant: **Funa Fan**, Guangdong (CN)

(72) Inventor: **Funa Fan**, Guangdong (CN)

(\*\*) Term: **15 Years**

(21) Appl. No.: **29/750,193**

(22) Filed: **Sep. 11, 2020**

(51) **LOC (13) Cl.** ..... **30-99**

(52) **U.S. Cl.**  
USPC ..... **D30/160**

(58) **Field of Classification Search**  
USPC ..... D30/160; D1/126, 128, 129, 199;  
D21/803-806  
CPC .. A01K 15/025; A01K 15/026; A01K 5/0114;  
A23K 50/40

See application file for complete search history.

(56) **References Cited**

**U.S. PATENT DOCUMENTS**

D544,655 S *	6/2007	Hass	.....	D30/160
D560,044 S *	1/2008	Roes	.....	D30/121
D579,157 S *	10/2008	Edwards	.....	D21/707
D728,868 S *	5/2015	Smith	.....	D30/160
D742,601 S *	11/2015	Holterhaus	.....	D30/160
D812,320 S *	3/2018	Stone	.....	D30/160
D850,025 S *	5/2019	Loibl	.....	D30/160
D881,483 S	4/2020	Lin		
D881,484 S	4/2020	Lin		
D888,351 S *	6/2020	Wolfe, Jr.	.....	D30/160
D890,455 S *	7/2020	Wolfe, Jr.	.....	D30/160
D891,008 S *	7/2020	Zeng	.....	D30/160
D922,004 S *	6/2021	Wang	.....	D30/160

**OTHER PUBLICATIONS**

Petstages Tower of Tracks Cat Toy, posted at chewy.com, earliest date reviewed on Apr. 30, 2016, [online], acquired on Aug. 27, 2021. Available from Internet, URL:https://www.chewy.com/petstages-tower-tracks-cat-toy/dp/126530 (Year: 2016).\*

Frisco Cat Tracks Butterfly Cat Toy, posted at chewy.com, earliest date reviewed on Aug. 11, 2021, [online], acquired on Aug. 27, 2021. Available from Internet, URL:https://www.chewy.com/frisco-cat-tracks-butterfly-cat-toy/dp/188519 (Year: 2019).\*

\* cited by examiner

*Primary Examiner* — Sheryl Lane

*Assistant Examiner* — Aula Soroush

(74) *Attorney, Agent, or Firm* — ScienBiziP, P.C.

(57) **CLAIM**

The ornamental design for a cat toy, as shown and described.

**DESCRIPTION**

FIG. 1 is a top perspective view of a cat toy, showing my design.

FIG. 2 is a front elevation view thereof.

FIG. 3 is a rear elevation view thereof.

FIG. 4 is a left side elevation view thereof.

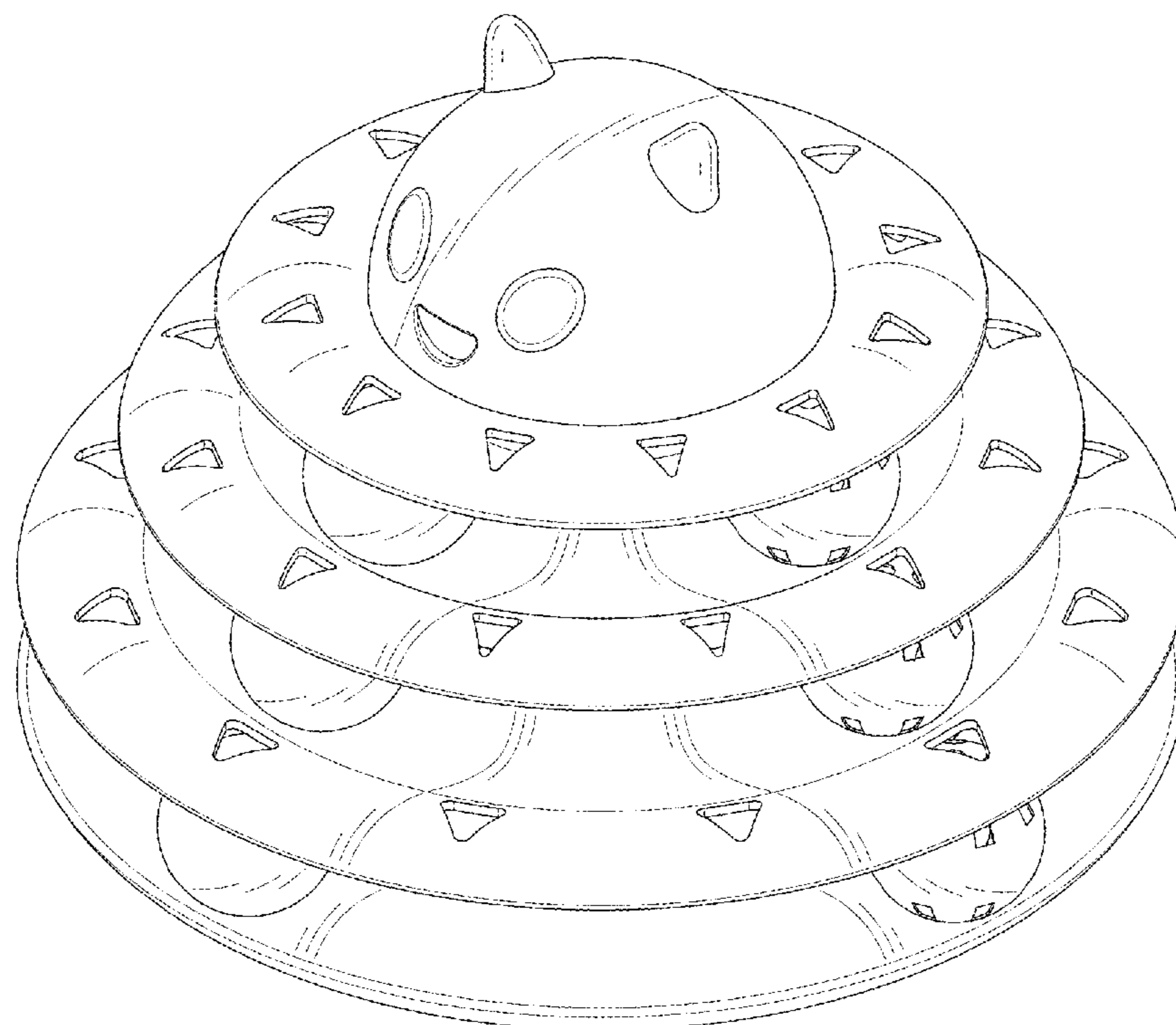
FIG. 5 is a right side elevation view thereof.

FIG. 6 is a top plan view thereof; and,

FIG. 7 is a bottom plan view thereof.

The broken lines in the drawings depict portions of the cat toy that form no part of the claimed design.

**1 Claim, 7 Drawing Sheets**



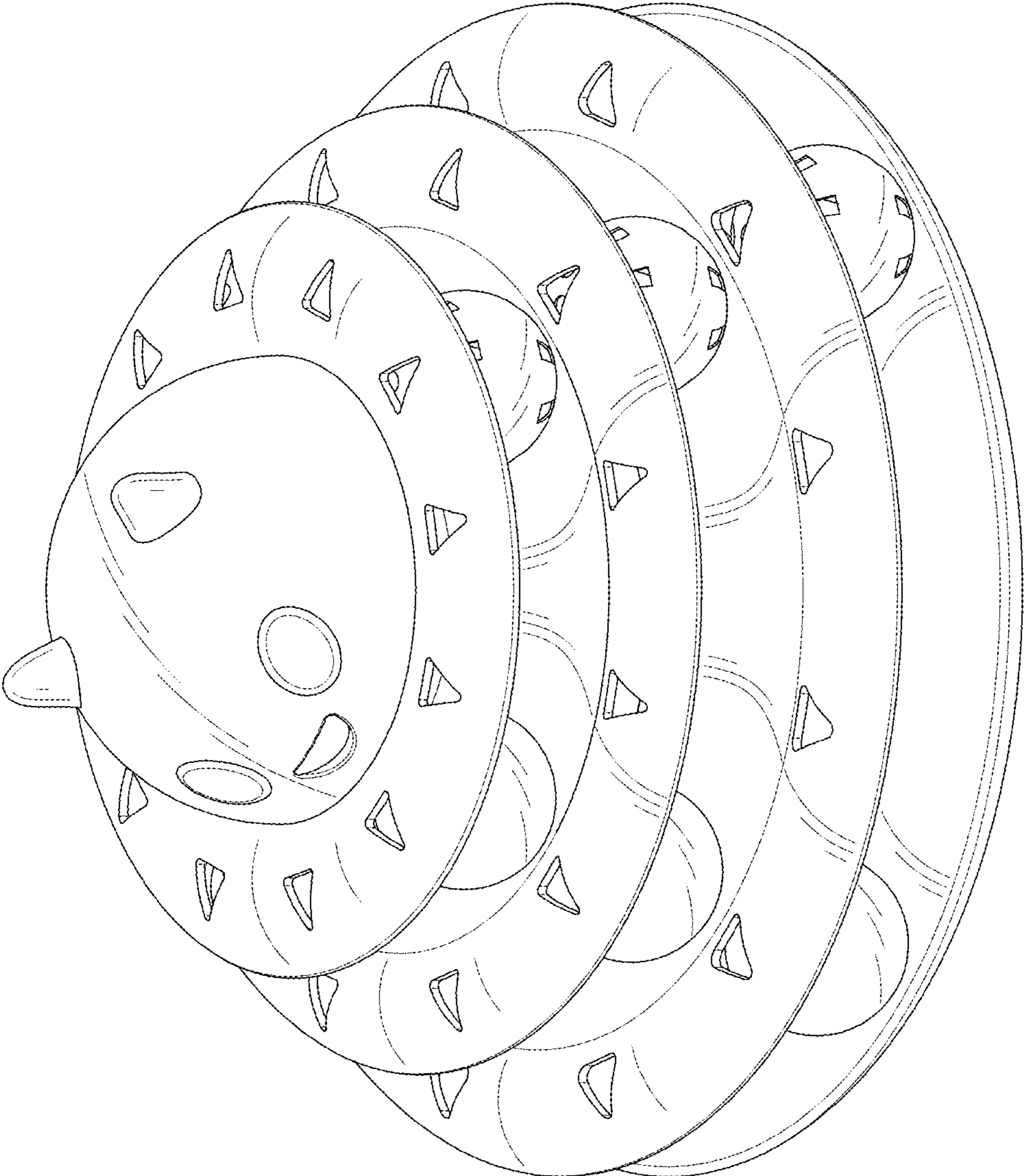


FIG.1

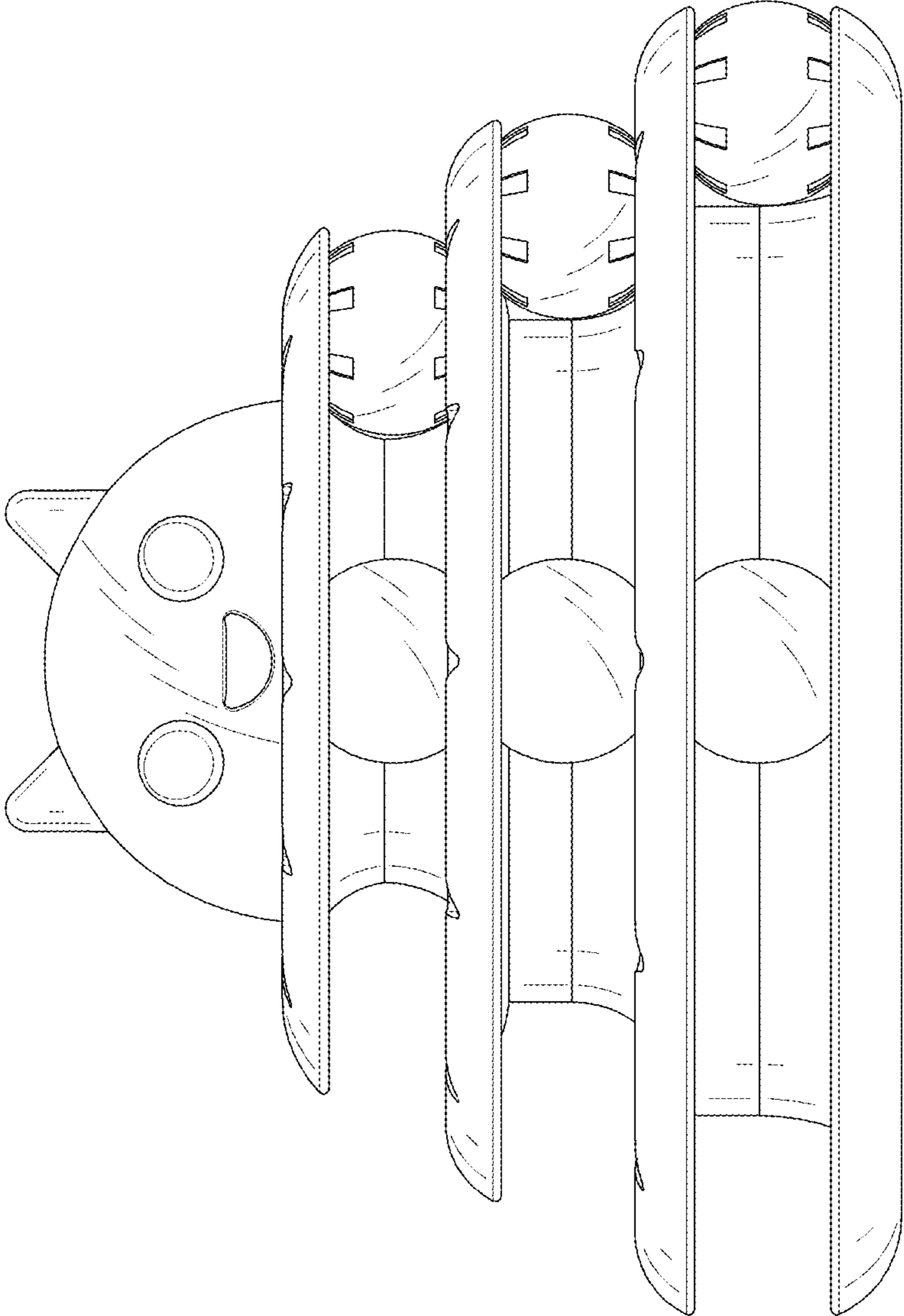


FIG.2

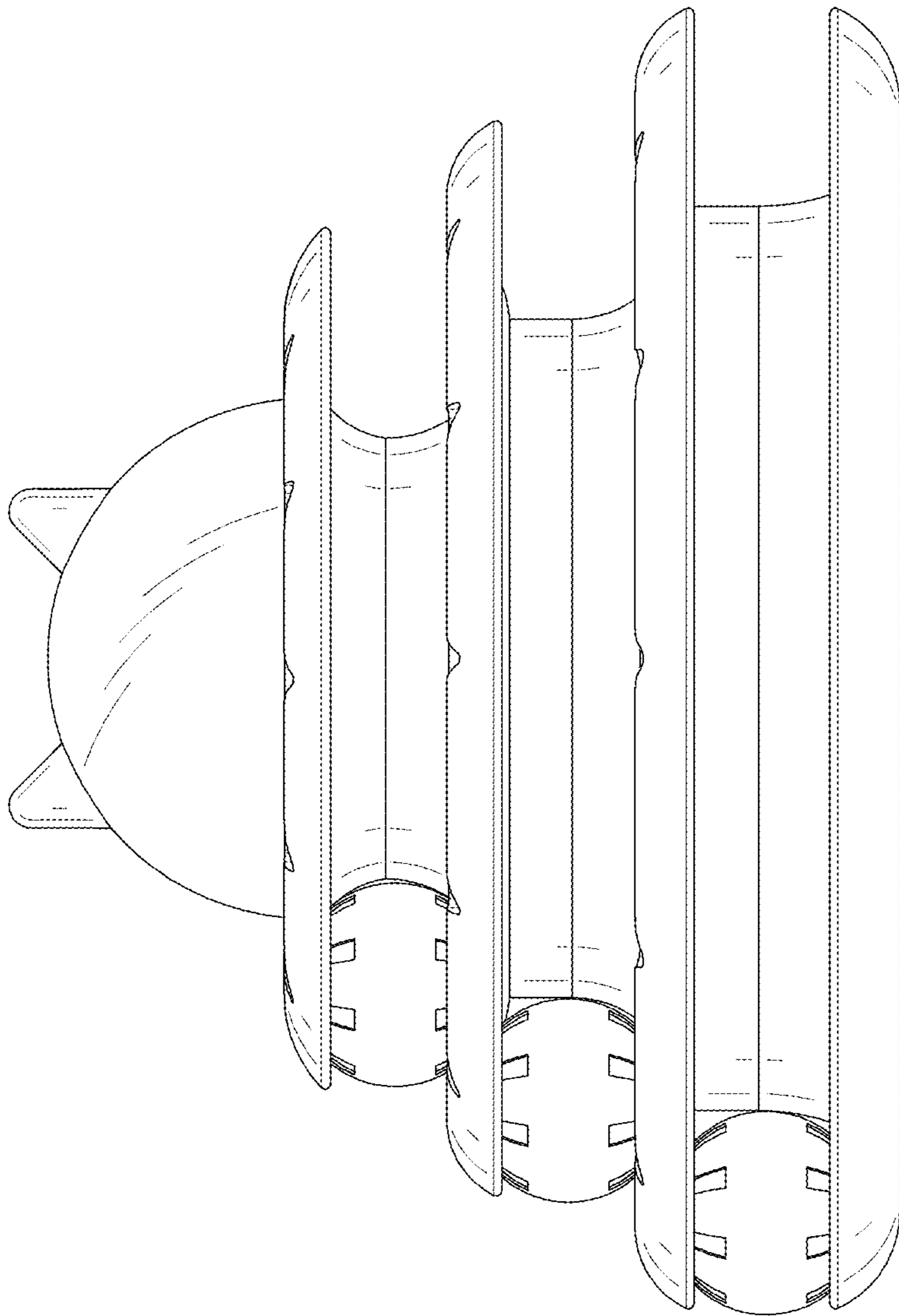


FIG.3

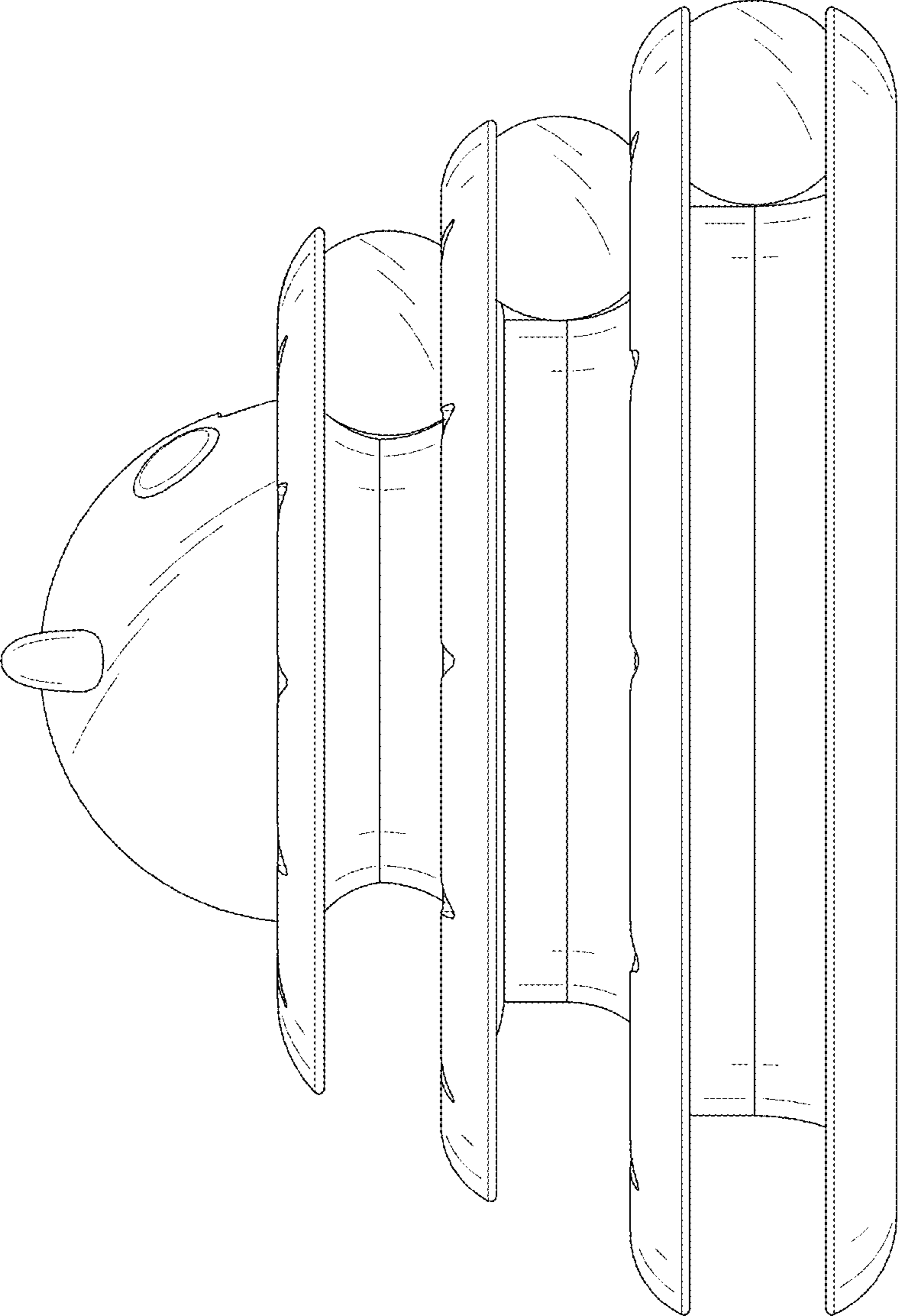


FIG.4

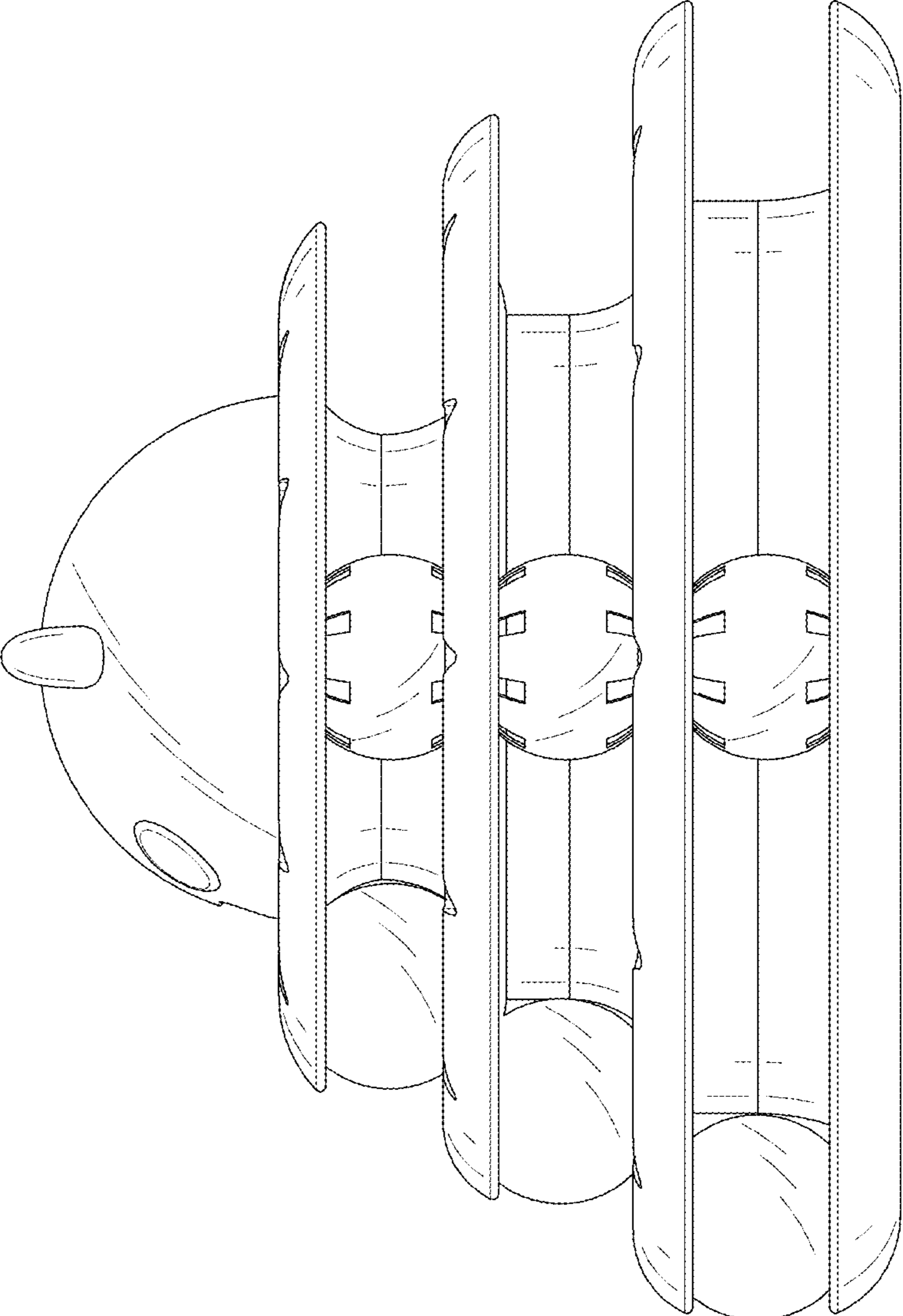


FIG.5

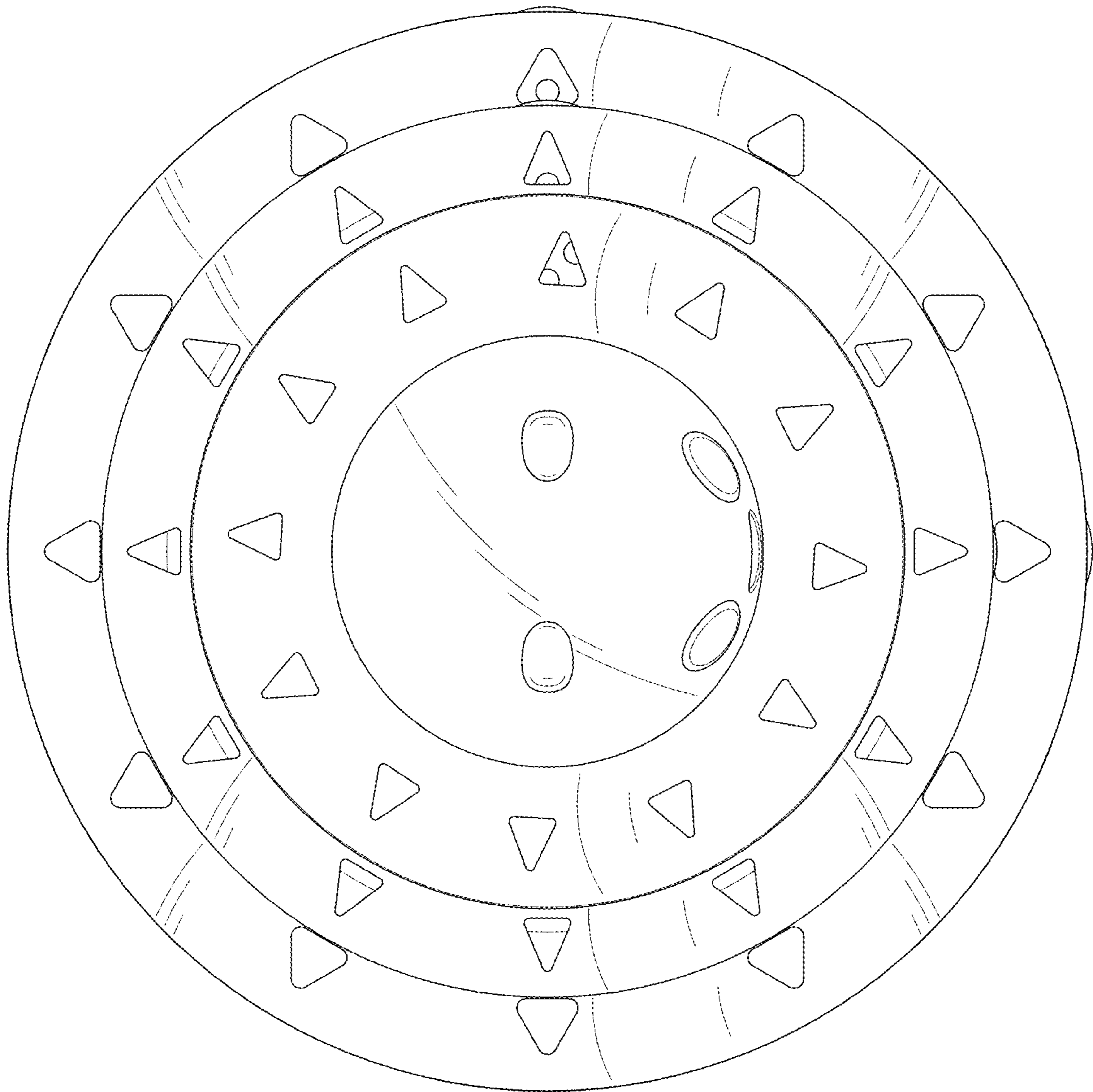


FIG.6

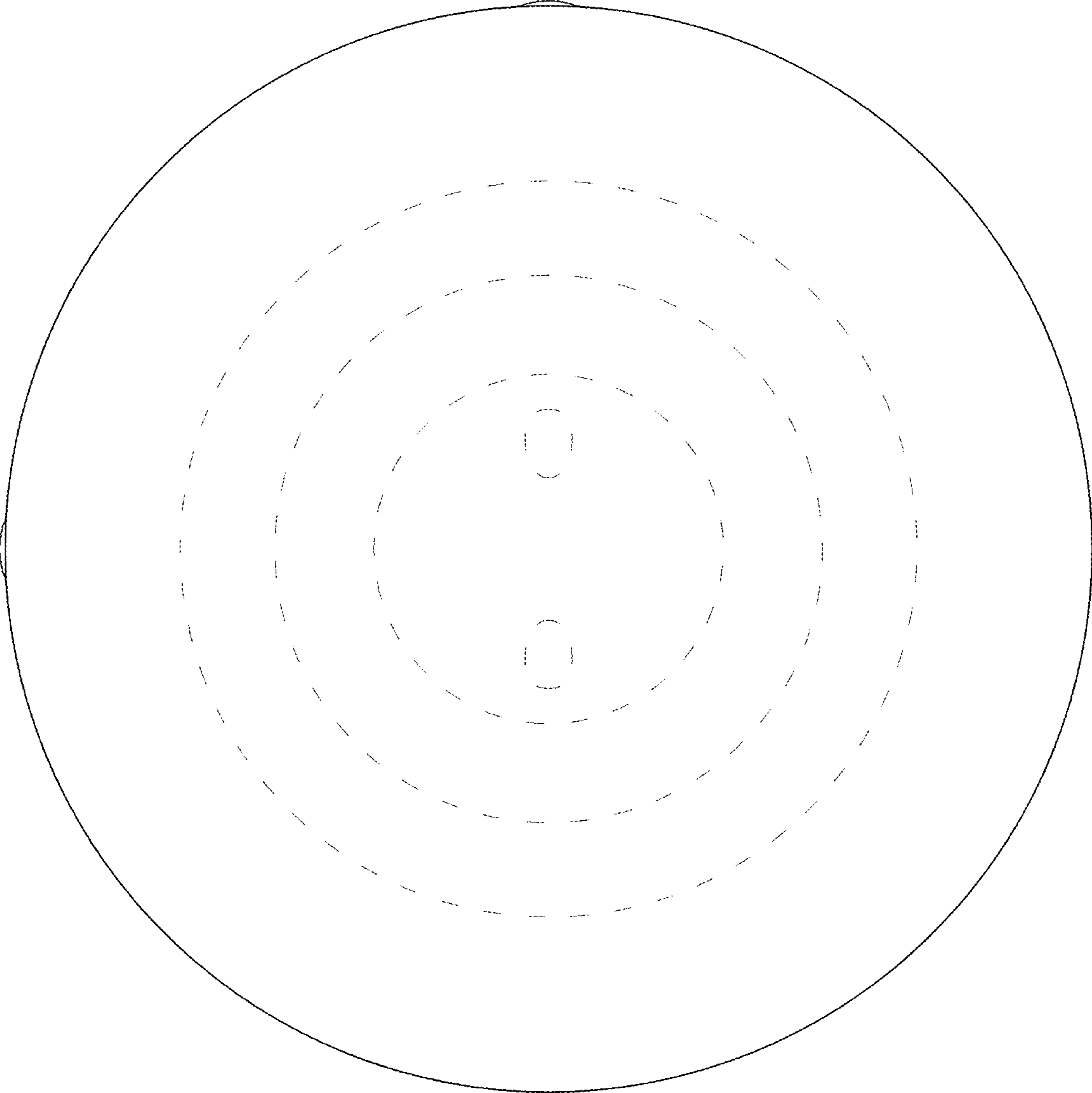
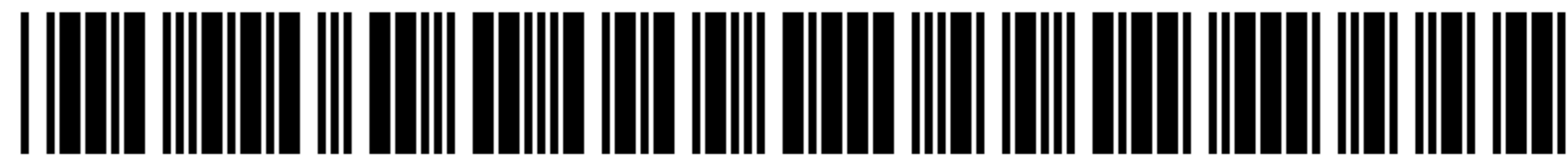


FIG. 7





US00D943841C1

(12) **EX PARTE REEXAMINATION CERTIFICATE** (12350th)  
**United States Patent**  
**Fan**

(10) **Number:** **US D943,841 C1**

(45) **Certificate Issued:** **Aug. 11, 2023**

(54) **CAT TOY**

(71) Applicant: **Funa Fan**, Guangdong (CN)

(72) Inventor: **Funa Fan**, Guangdong (CN)

**Reexamination Request:**

No. 90/015,142, Oct. 27, 2022

**Reexamination Certificate for:**

Patent No.: **Des. 943,841**

Issued: **Feb. 15, 2022**

Appl. No.: **29/750,193**

Filed: **Sep. 11, 2020**

(51) **LOC (14) Cl.** ..... **30-99**

(52) **U.S. Cl.**

USPC ..... **D30/160**

(58) **Field of Classification Search**

USPC ..... D30/160; D21/468, 488, 455, 456;

D1/126, 128, 129

CPC .. A01K 15/025; A01K 15/026; A01K 5/0114;

A23K 50/40

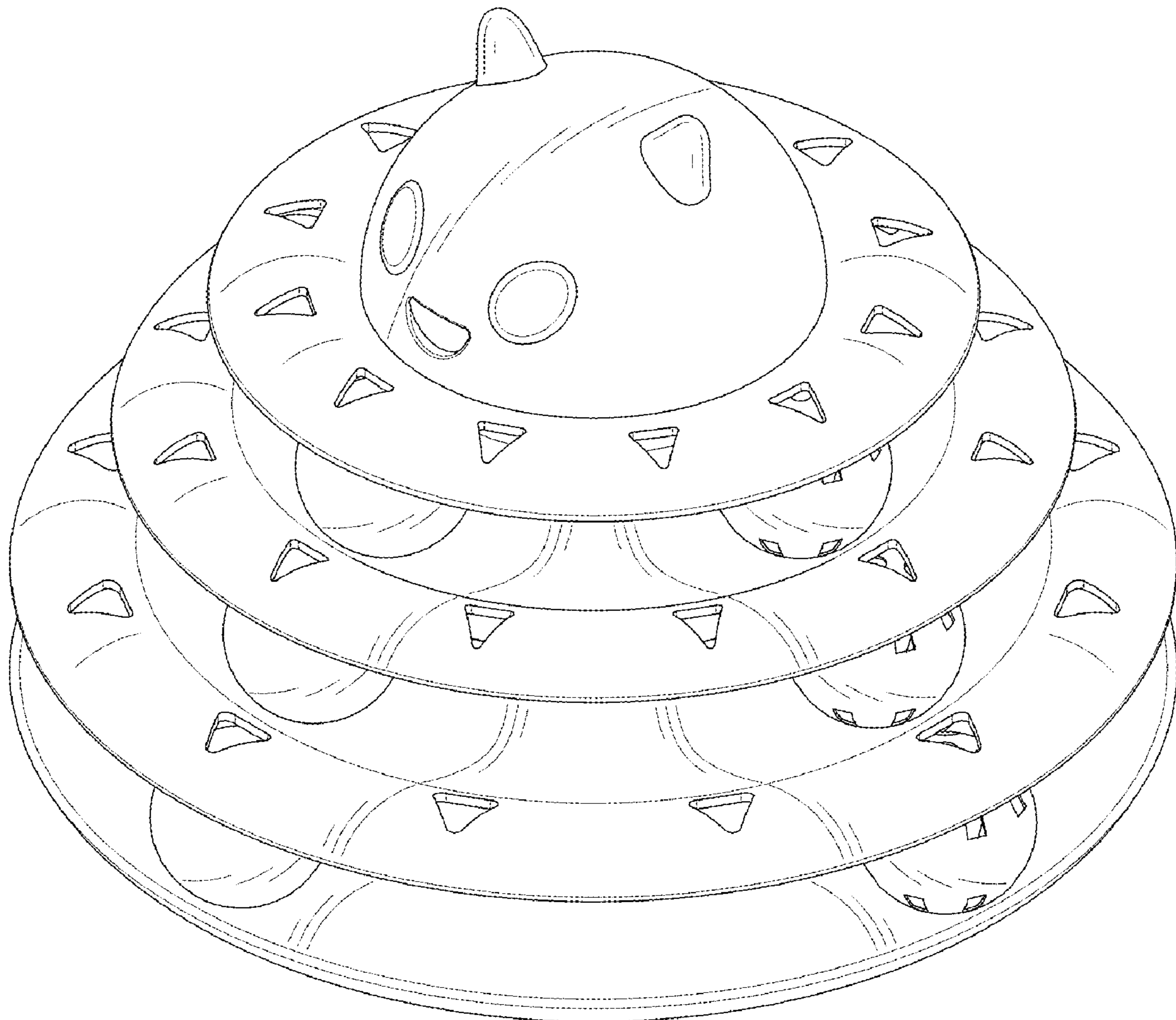
See application file for complete search history.

(56)

**References Cited**

To view the complete listing of prior art documents cited during the proceeding for Reexamination Control Number 90/015,142, please refer to the USPTO's Patent Electronic System.

*Primary Examiner* — Philip S Hyder



**1**  
**EX PARTE**  
**REEXAMINATION CERTIFICATE**

THE PATENT IS HEREBY AMENDED AS  
INDICATED BELOW.

5

AS A RESULT OF REEXAMINATION, IT HAS BEEN  
DETERMINED THAT:

The claim 1 is cancelled.

10

\* \* \* \* \*