



US00D943837S

(12) **United States Design Patent** (10) **Patent No.:** **US D943,837 S**
Lu (45) **Date of Patent:** **** Feb. 15, 2022**

(54) **PET FEEDER**

(71) Applicant: **Limei Lu**, Guangdong (CN)

(72) Inventor: **Limei Lu**, Guangdong (CN)

(**) Term: **15 Years**

(21) Appl. No.: **29/779,048**

(22) Filed: **Apr. 16, 2021**

(51) **LOC (13) Cl.** **30-03**

(52) **U.S. Cl.**
USPC **D30/130; D30/121; D30/133**

(58) **Field of Classification Search**

USPC D30/108, 118, 119, 120, 121, 122, 124,
D30/125, 128, 129, 130, 131, 132, 133;
119/51.01, 51.02, 51.03, 51.11, 51.12,
119/51.13, 51.5, 52.1, 57, 57.1, 57.92, 58,
119/60, 61.1, 61.5, 61.52, 61.54, 61.55,
119/61.57, 72, 72.5, 73, 74, 75, 78, 174
CPC A01K 1/0353; A01K 5/00; A01K 39/02;
A01K 39/04; A01K 39/0213
See application file for complete search history.

(56) **References Cited**

U.S. PATENT DOCUMENTS

D55,838 S *	7/1920	Badgley	D21/425
D293,947 S *	1/1988	Yunker	D30/130
D446,611 S *	8/2001	Gunter	119/51.01
D794,260 S	8/2017	Tanumihardja		
D820,536 S *	6/2018	Nishihara	D30/133
D830,647 S *	10/2018	Le	D30/133
D848,080 S *	5/2019	Qiao	D30/133
D903,209 S *	11/2020	Jiang	D30/133
D926,392 S *	7/2021	Peng	D30/133
D930,278 S *	9/2021	Su	D30/133
D935,705 S *	11/2021	Sun	D30/133

FOREIGN PATENT DOCUMENTS

CN	304538432	*	3/2018
CN	306924099	*	11/2021

OTHER PUBLICATIONS

“Raised Pet Bowl” available May 21, 2021, [online], [site visited Nov. 27, 2021]. Retrieved from Internet, URL:https://www.amazon.com/Raised-Adjustable-Elevated-Ceramic-Feeding/dp/B095LMXLV1/ref=sr_1_212 (Year: 2021).*
“Niubya Elevated Dog Bowls” available Oct. 10, 2021, [online], [site visited]. Retrieved from Internet, URL:https://www.amazon.com/Niubya-Elevated-Adjustable-Raised-Stainless/dp/B09GJJMB1Z/ref=sxin_14_pa_sp_search_thematic_sspa (Year: 2021).*
“X-Zone Pet Raised Pet Bowls” available Nov. 15, 2019, [online], [site visited Nov. 27, 2021]. Retrieved from Internet, URL:https://www.amazon.com/X-ZONE-PET-Adjustable-Elevated-Stainless/dp/B081KRHLTK/ref=sr_1_8 (Year: 2019).*
“BINGBING Raised Pet Bowl” available Apr. 2, 2020, [online], [site visited Nov. 27, 2021]. Retrieved from Internet, URL:https://www.amazon.com/BINGBING-Raised-Adjustable-Elevated-Stainless/dp/B086Q3LVHY/ref=sr_1_27 (Year: 2020).*

* cited by examiner

Primary Examiner — W. A. Teddy Falloway

Assistant Examiner — Katrina N Gonzalez

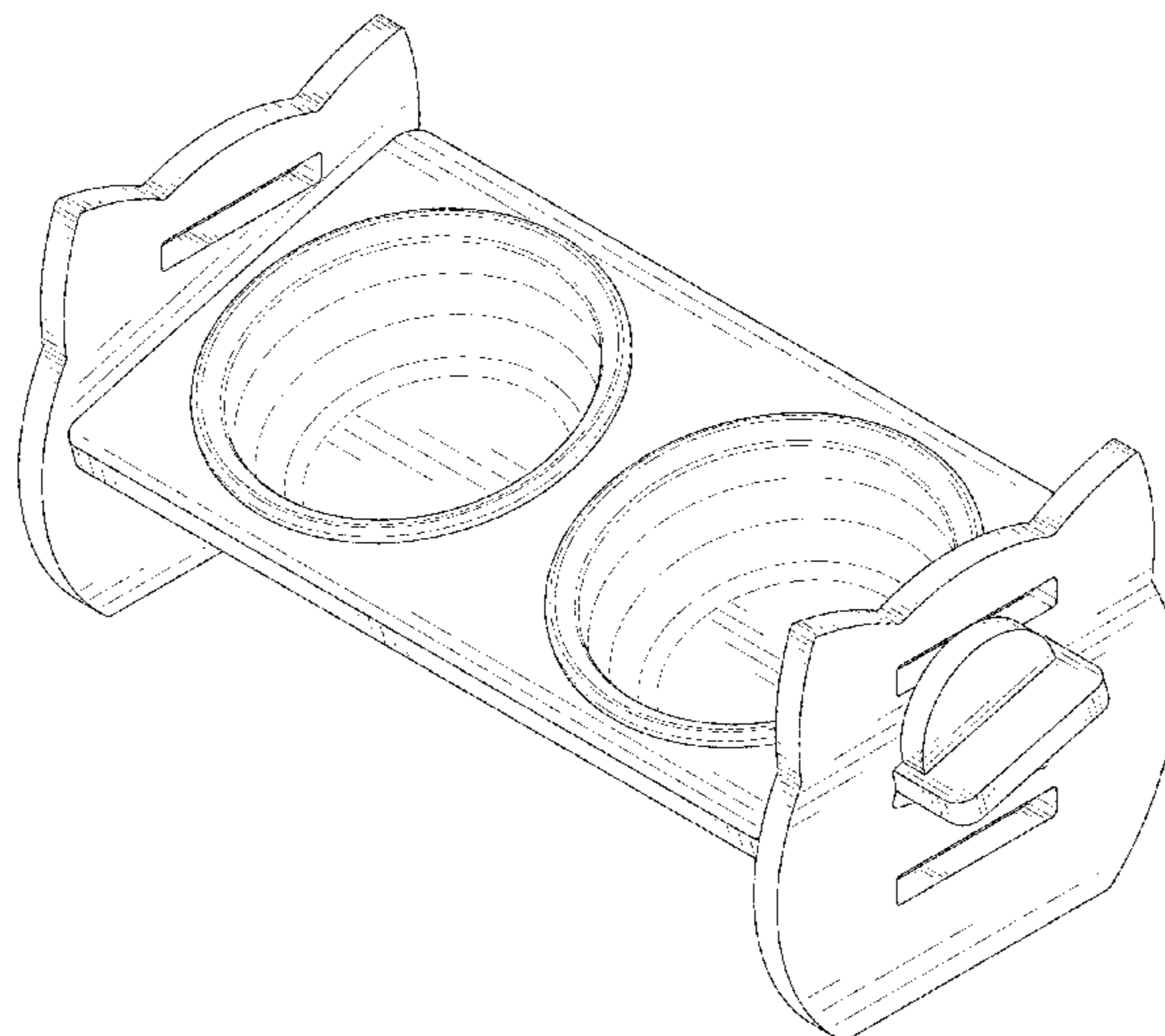
(57) **CLAIM**

The ornamental design for a pet feeder, as shown and described.

DESCRIPTION

FIG. 1 is a front and top perspective view of a pet, feeder, showing my new design;
FIG. 2 is a rear and bottom perspective view thereof;
FIG. 3 is a front elevation view thereof;
FIG. 4 is a rear elevation view thereof;
FIG. 5 is a left side elevation view thereof;
FIG. 6 is a right side elevation view thereof;
FIG. 7 is a top plan view thereof; and,
FIG. 8 is a bottom plan view thereof.

1 Claim, 8 Drawing Sheets



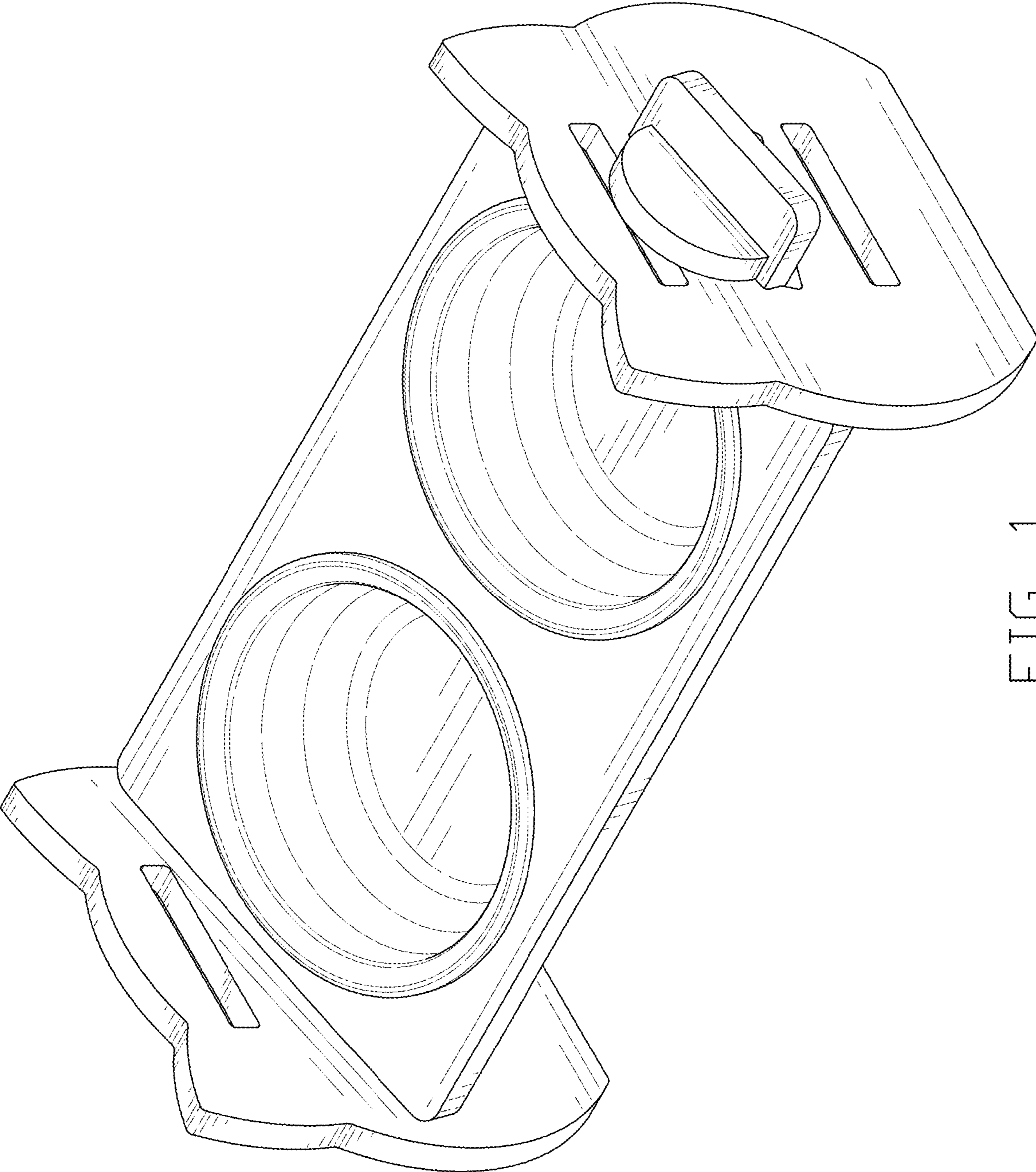


FIG. 1

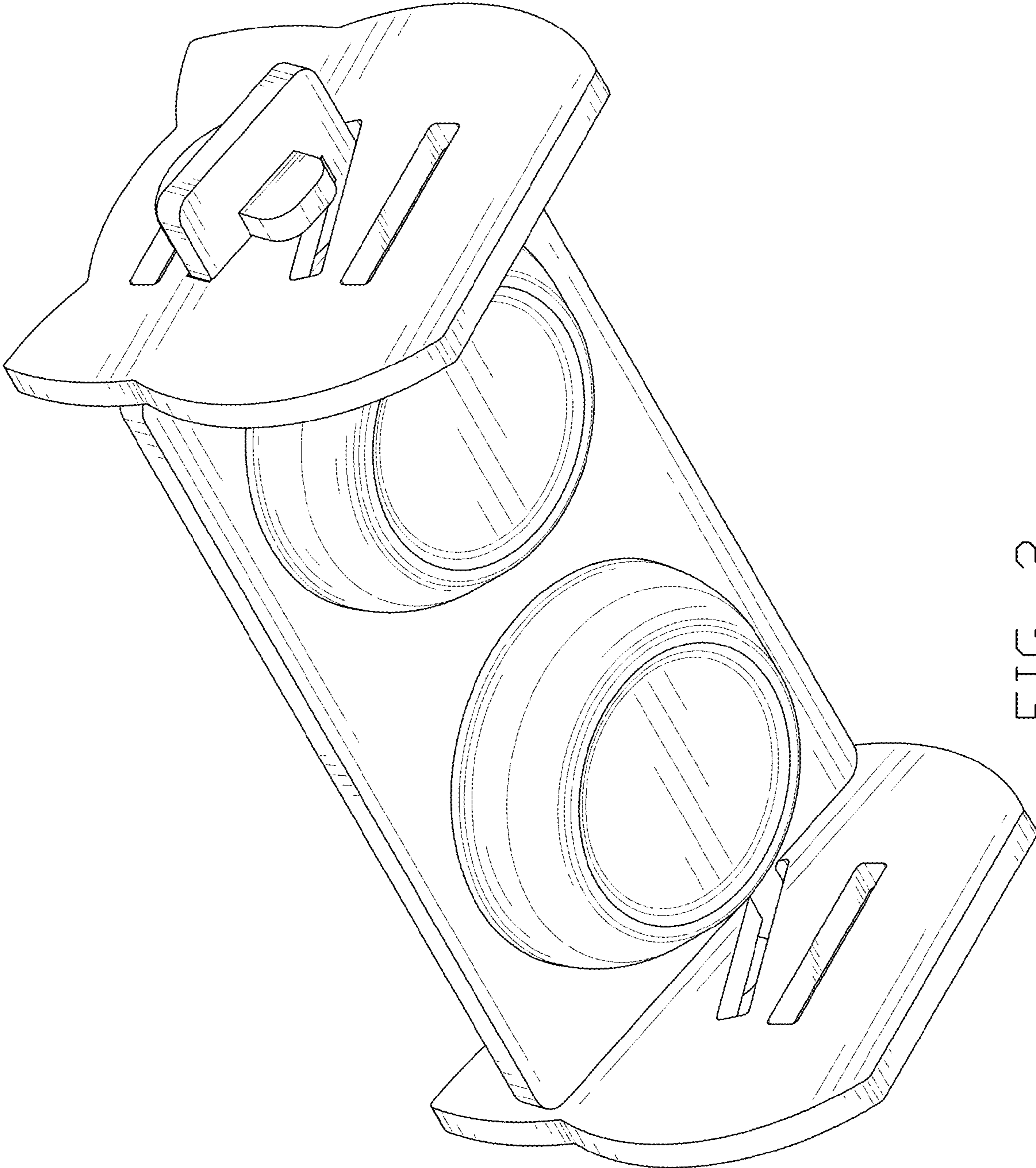


FIG. 2

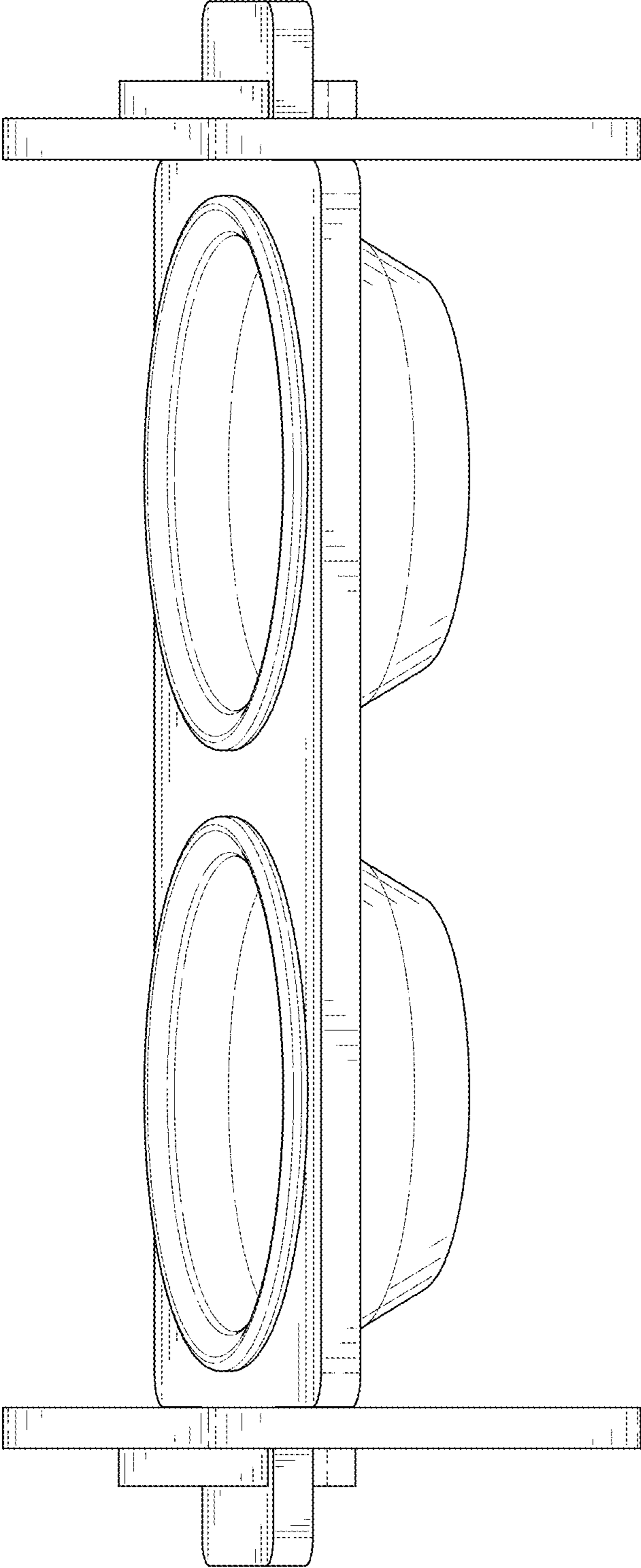


FIG. 3

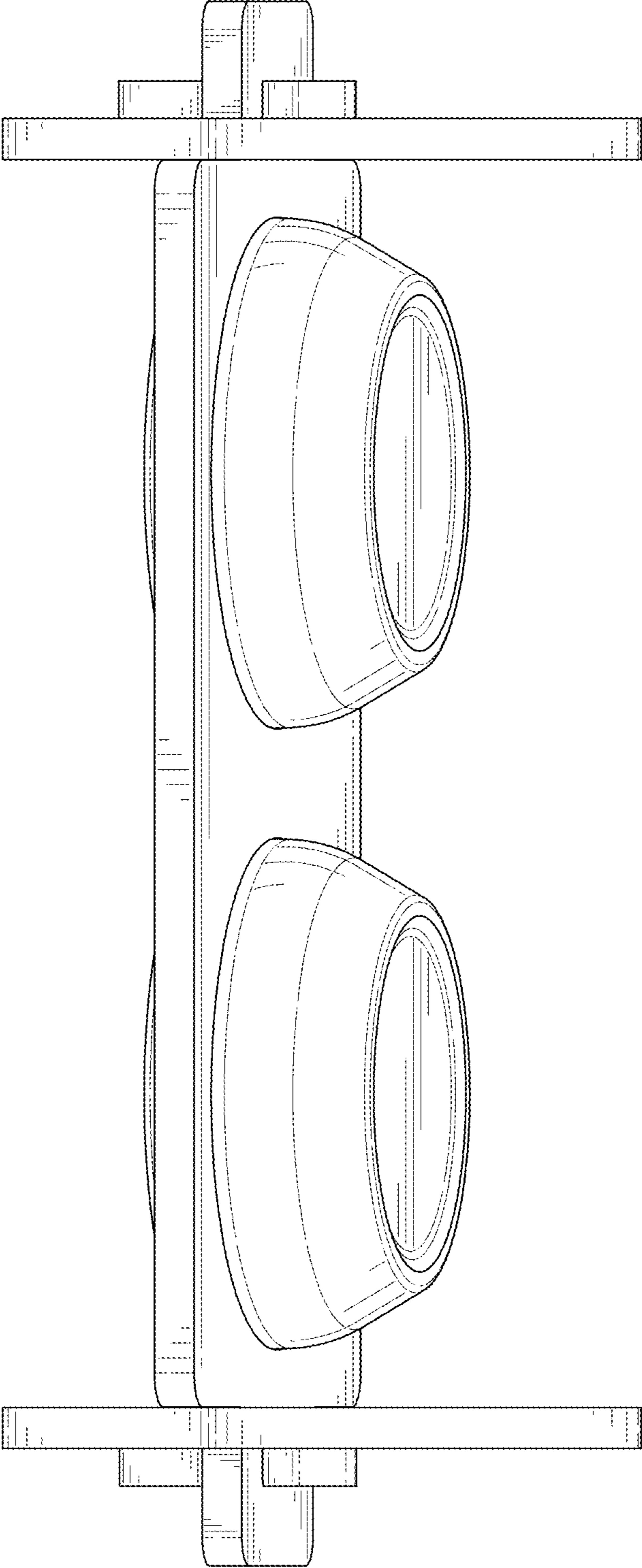


FIG. 4

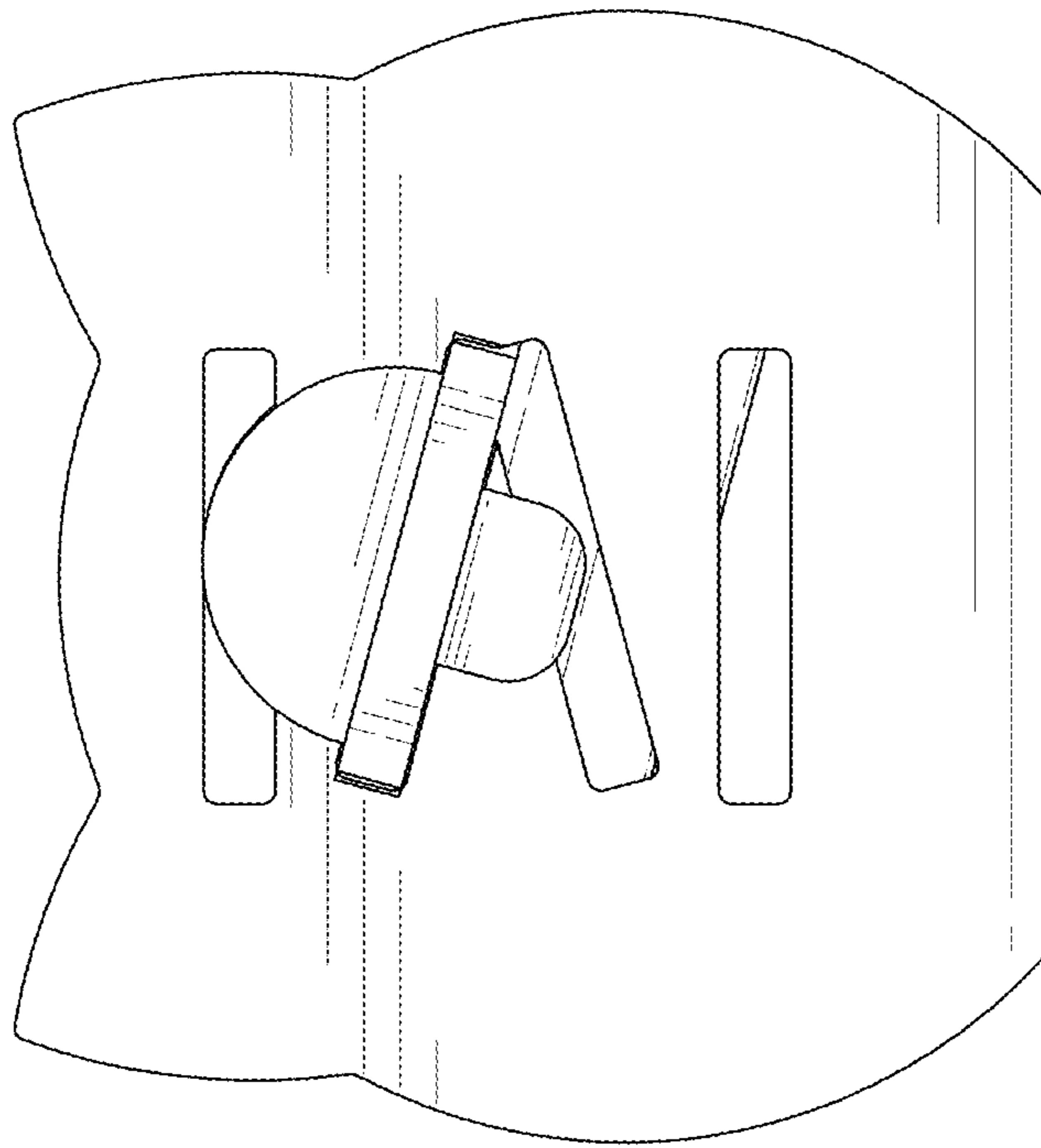


FIG. 5

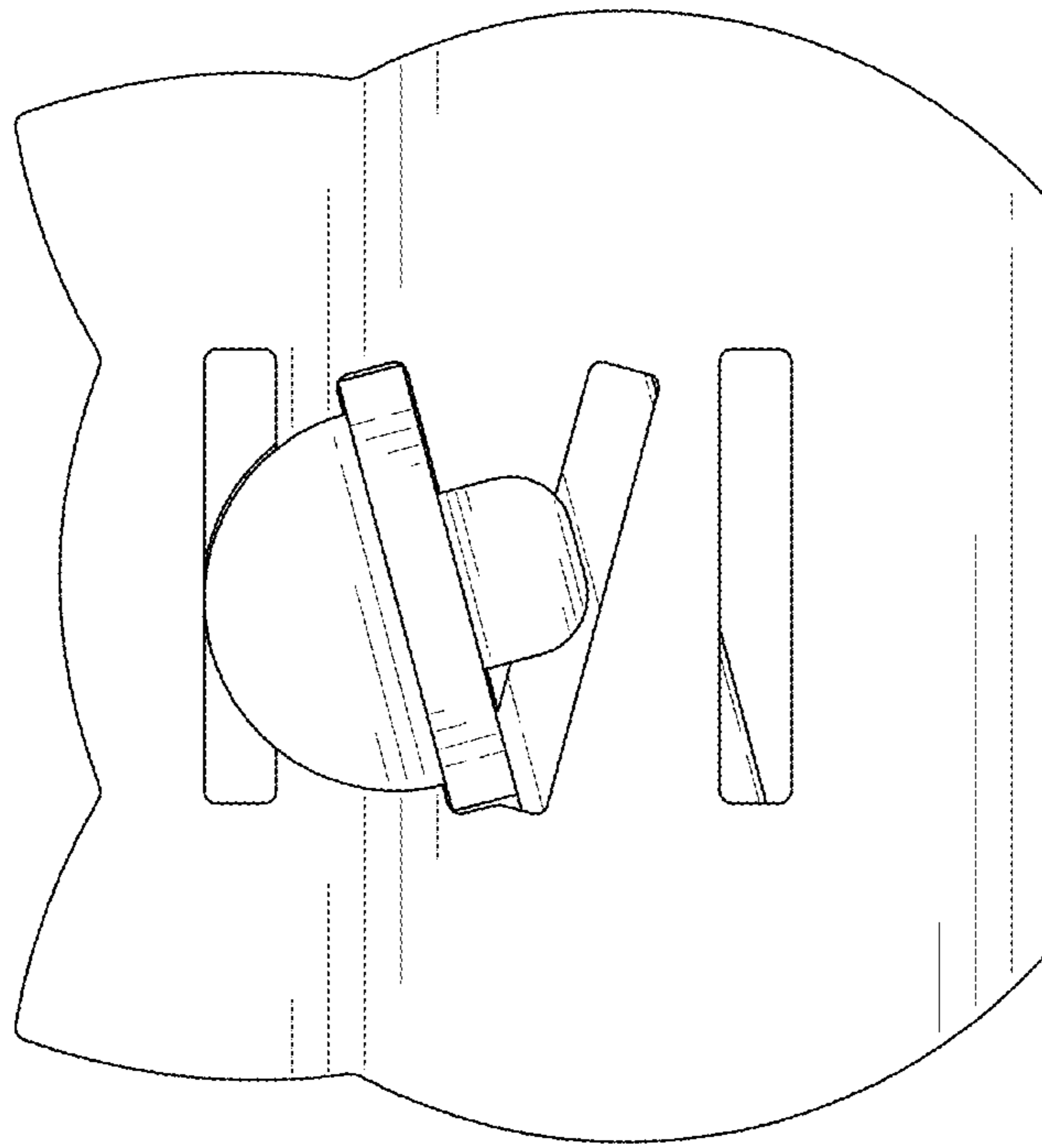


FIG. 6

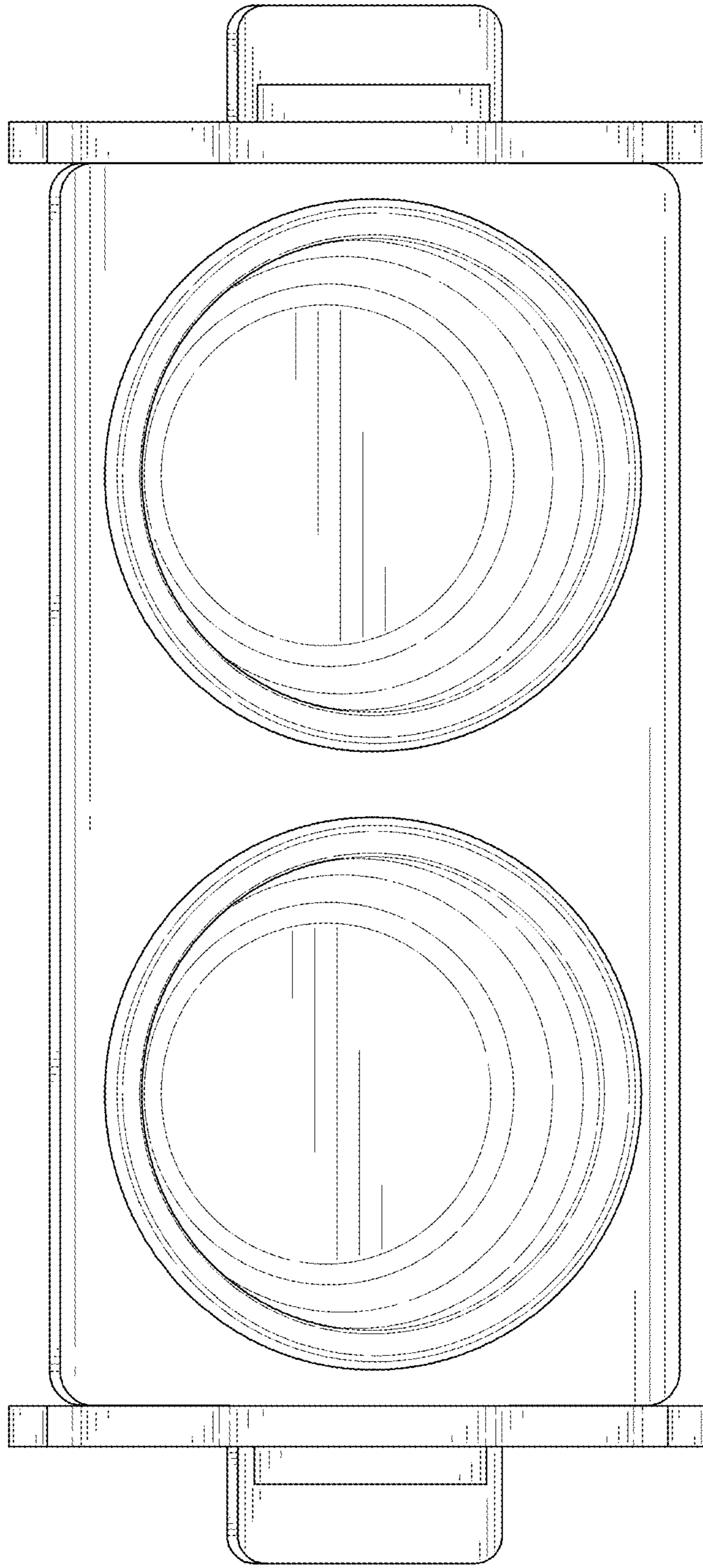


FIG. 7

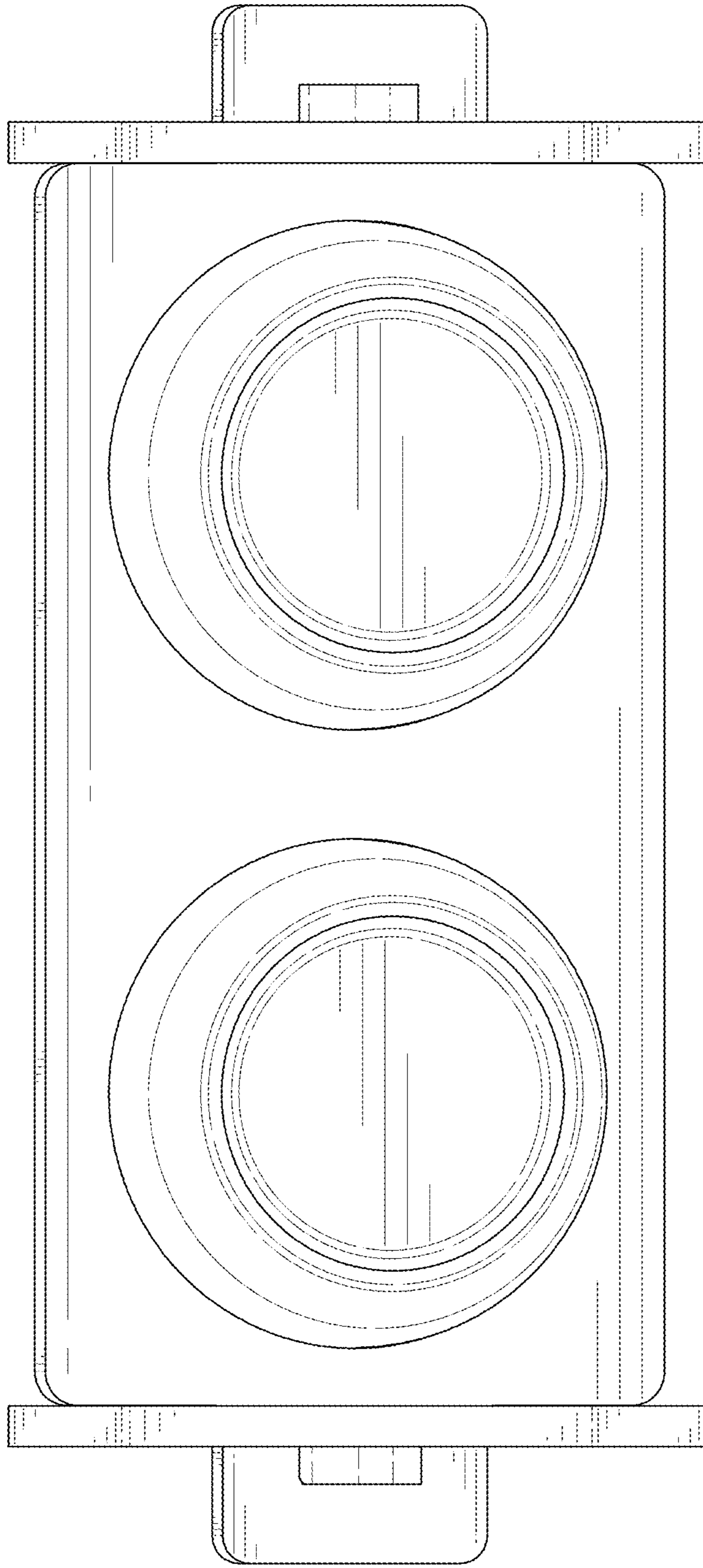


FIG. 8