



US00D943831S

(12) **United States Design Patent**  
**Ehrlich de Bruyn**

(10) **Patent No.:** **US D943,831 S**

(45) **Date of Patent:** **\*\* Feb. 15, 2022**

(54) **COMBINED DENTAL FLOSS AND BRUSH DEVICE**

(71) Applicant: **Paige Ehrlich de Bruyn**, Cedar Park, TX (US)

(72) Inventor: **Paige Ehrlich de Bruyn**, Cedar Park, TX (US)

(\*\*) Term: **15 Years**

(21) Appl. No.: **29/736,991**

(22) Filed: **Jun. 4, 2020**

(51) **LOC (13) Cl.** ..... **28-03**

(52) **U.S. Cl.**  
USPC ..... **D28/65**

(58) **Field of Classification Search**  
USPC ..... D28/65, 66–68, 31, 73; D24/152  
CPC ... A61C 15/041; A61C 15/042; A61C 15/046;  
A61C 15/048; A61C 15/02; A61C 15/00  
See application file for complete search history.

(56) **References Cited**

U.S. PATENT DOCUMENTS

D309,041 S	7/1990	Schneider	
D348,332 S	6/1994	Haggett-King et al.	
5,388,600 A	2/1995	Hart	
D374,311 S	10/1996	Dolan et al.	
D374,744 S	10/1996	Dolan et al.	
5,573,021 A	11/1996	Grofcisk et al.	
D412,043 S	7/1999	Dolan et al.	
5,975,296 A	11/1999	Dolan et al.	
D424,748 S	5/2000	Dolan et al.	
6,220,256 B1	4/2001	Dolan et al.	
D493,577 S	7/2004	Winkler	
D526,091 S	8/2006	Winkler et al.	
D531,757 S *	11/2006	Jansheski	D28/68
D532,159 S *	11/2006	Anlter	D28/66
D532,934 S *	11/2006	Crossman	D28/65
D578,254 S *	10/2008	Grendol	D28/66

D606,706 S *	12/2009	Chodorow	A61C 15/046 D28/65
D609,405 S *	2/2010	Jansheski	A61C 15/046 D28/66
D610,748 S	2/2010	Volpenhein et al.	
D618,396 S	6/2010	Volpenhein et al.	
D624,703 S *	9/2010	Misner	D28/68
D629,970 S	12/2010	Volpenhein et al.	
D649,713 S *	11/2011	Kollar	A61C 15/046 D28/66

(Continued)

OTHER PUBLICATIONS

Dental Flossers 2 per pack By: GUM Eez—found on line Jun. 5, 2021 [https://www.net32.com/ec/gum-eezthru-angled-flossers-2-per-48-d-133133?utm\\_source= Jun. 24, 2019.\\*](https://www.net32.com/ec/gum-eezthru-angled-flossers-2-per-48-d-133133?utm_source=Jun.24,2019.*)

(Continued)

*Primary Examiner* — Rebecca Tsehaye

(74) *Attorney, Agent, or Firm* — Howard & Howard Attorneys PLLC

(57) **CLAIM**

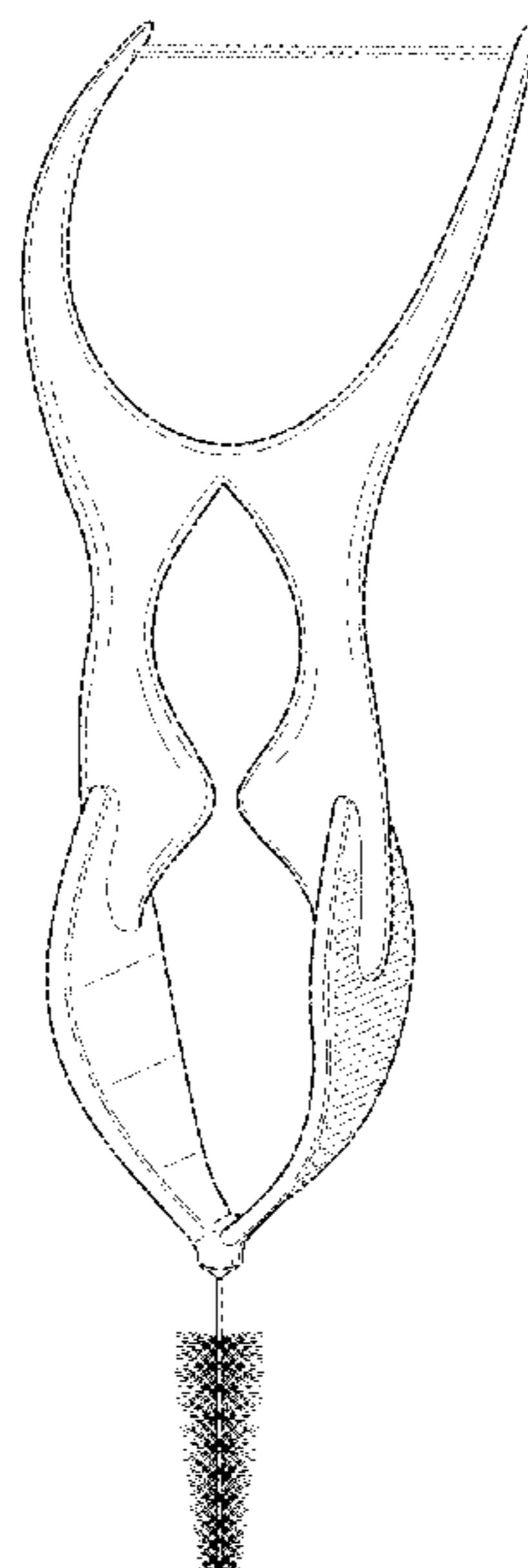
The ornamental design for a combined dental floss and brush device, as shown and described.

**DESCRIPTION**

FIG. 1 is a perspective view of a combined dental floss and brush device;  
FIG. 2 is a front view thereof;  
FIG. 3 is a back view thereof;  
FIG. 4 is a left-side view thereof;  
FIG. 5 is a right-side view thereof;  
FIG. 6 is a bottom view thereof; and,  
FIG. 7 is a top view thereof.

In the drawings, the broken lines represent unclaimed portions of the combined dental floss and brush device and form no part of the claimed design.

**1 Claim, 5 Drawing Sheets**



(56)

**References Cited**

U.S. PATENT DOCUMENTS

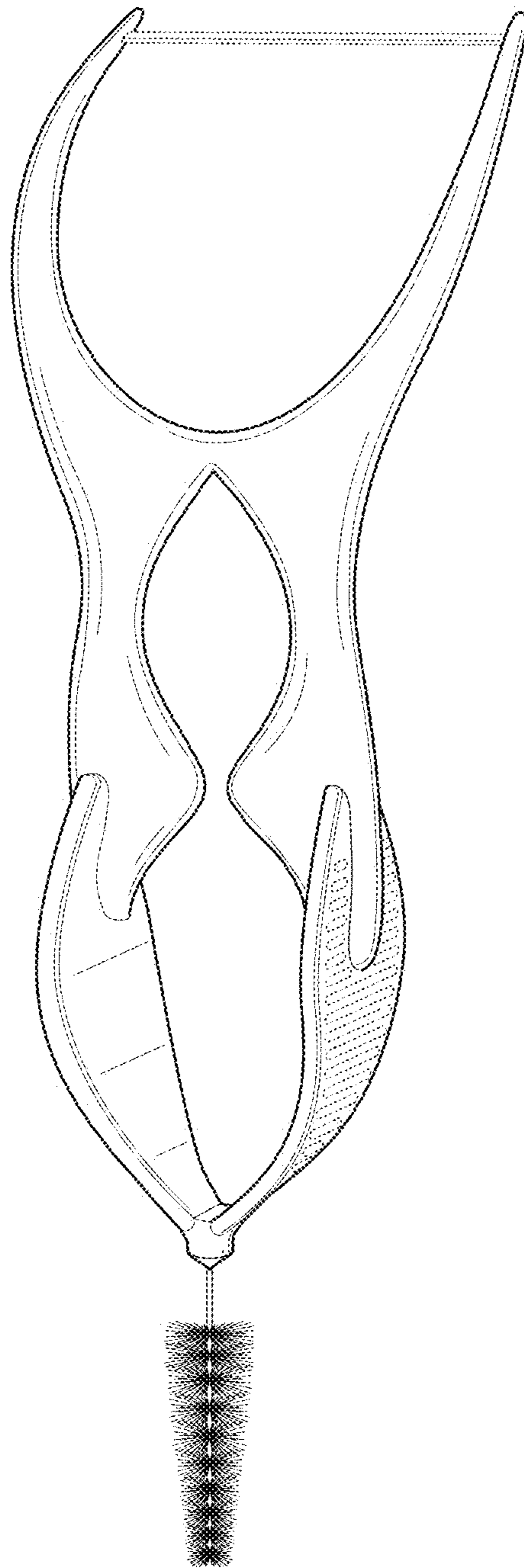
8,555,901 B2 \* 10/2013 Misner ..... A61C 15/046  
 132/323  
 D711,049 S \* 8/2014 Nanda ..... A61C 15/04  
 D28/65  
 D712,096 S \* 8/2014 Lee ..... A61C 15/04  
 D28/65  
 D812,816 S \* 3/2018 Hanson ..... D28/66  
 D828,959 S \* 9/2018 Martone ..... D28/68  
 D838,046 S \* 1/2019 Chen ..... D28/65  
 D845,548 S \* 4/2019 Misner ..... D28/66  
 D846,807 S \* 4/2019 Misner ..... D28/66  
 D847,434 S \* 4/2019 Misner ..... D28/66  
 D847,435 S \* 4/2019 Misner ..... D28/66  
 2010/0326463 A1 12/2010 Huang  
 2011/0073133 A1 \* 3/2011 Crossman ..... A61C 15/046  
 132/323  
 2013/0291889 A1 11/2013 Prokopchuk et al.

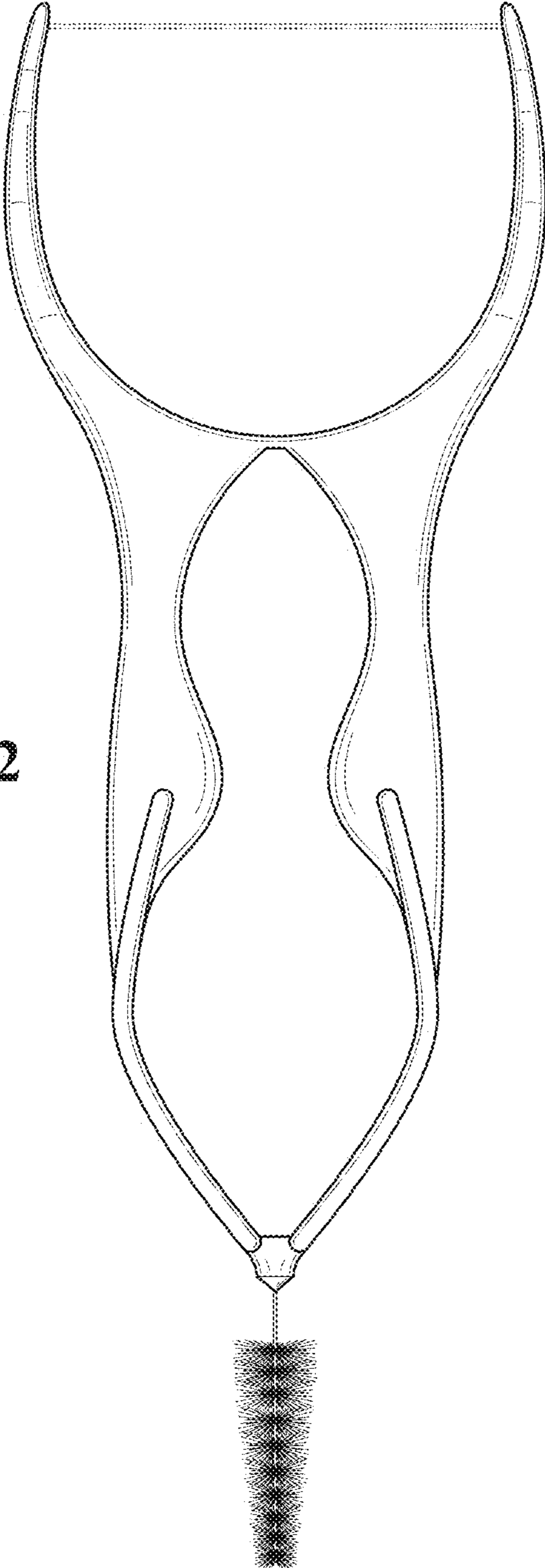
OTHER PUBLICATIONS

ORAL-B, "Glide Pro-Health Clinical Protection Floss Picks Webpage",  
 2020, <https://oralb.com/en-us/products/more-products/floss/glide-pro-health-clinical-protection-floss-picks/>, 3 pages.  
 Platypus Co., "Platypus Orthodontic Flosser Webpage", [https://www.platypusco.com/Platypus%C2%AE-Flosser-30ct-Bag\\_p\\_47.html](https://www.platypusco.com/Platypus%C2%AE-Flosser-30ct-Bag_p_47.html), 2008, 2 pages.  
 Dentek, "DenTek Complete Clean Easy Reach Floss Picks Webpage",  
<https://www.dentek.com/oral-care-products/advanced-clean/dentek-complete-clean-easy-reach-floss-picks>, 2021, 2 pages.

\* cited by examiner

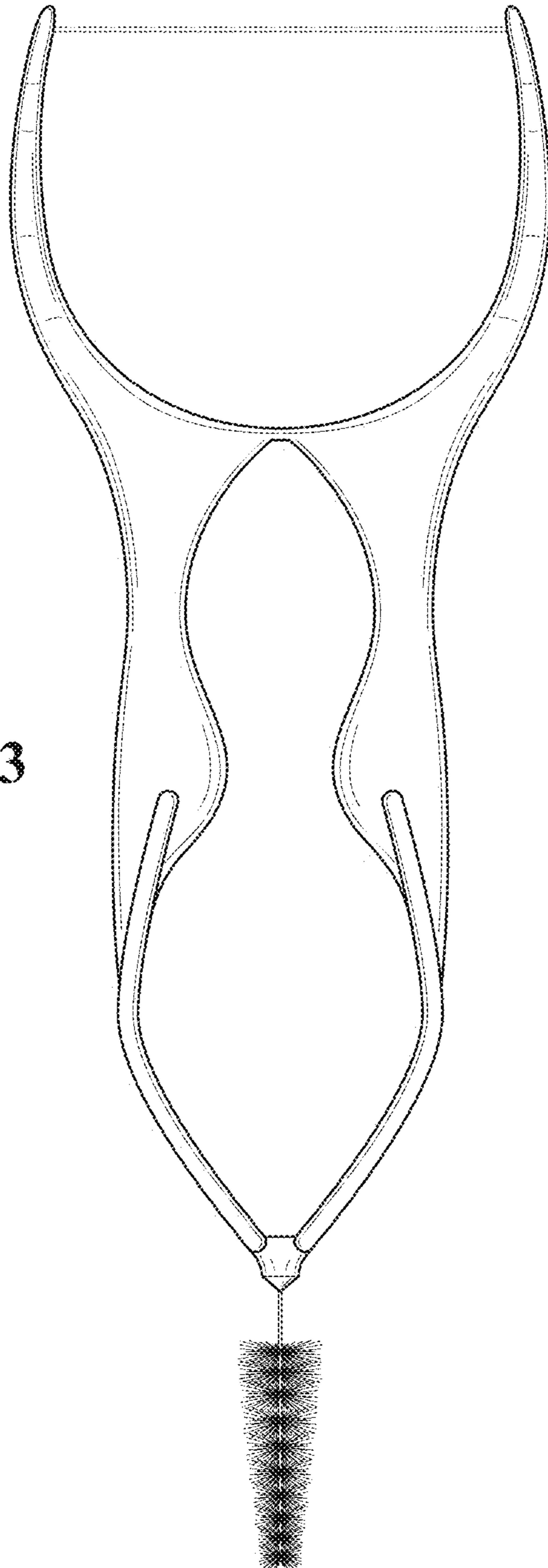
**FIG. 1**

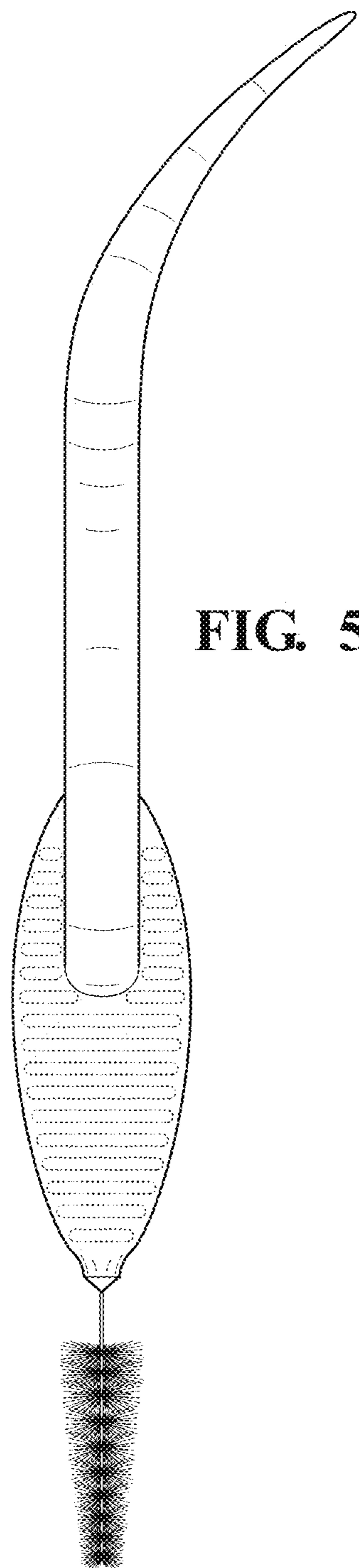
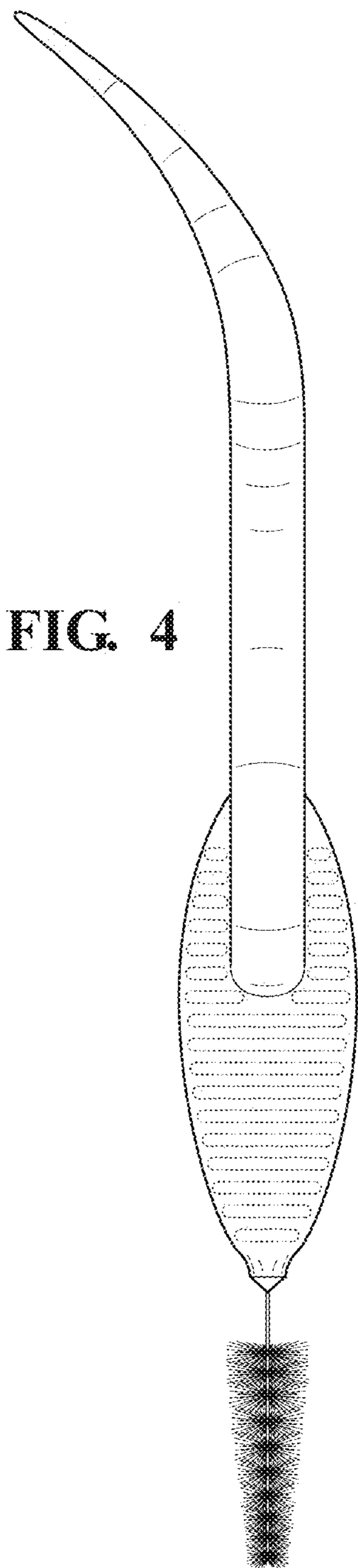


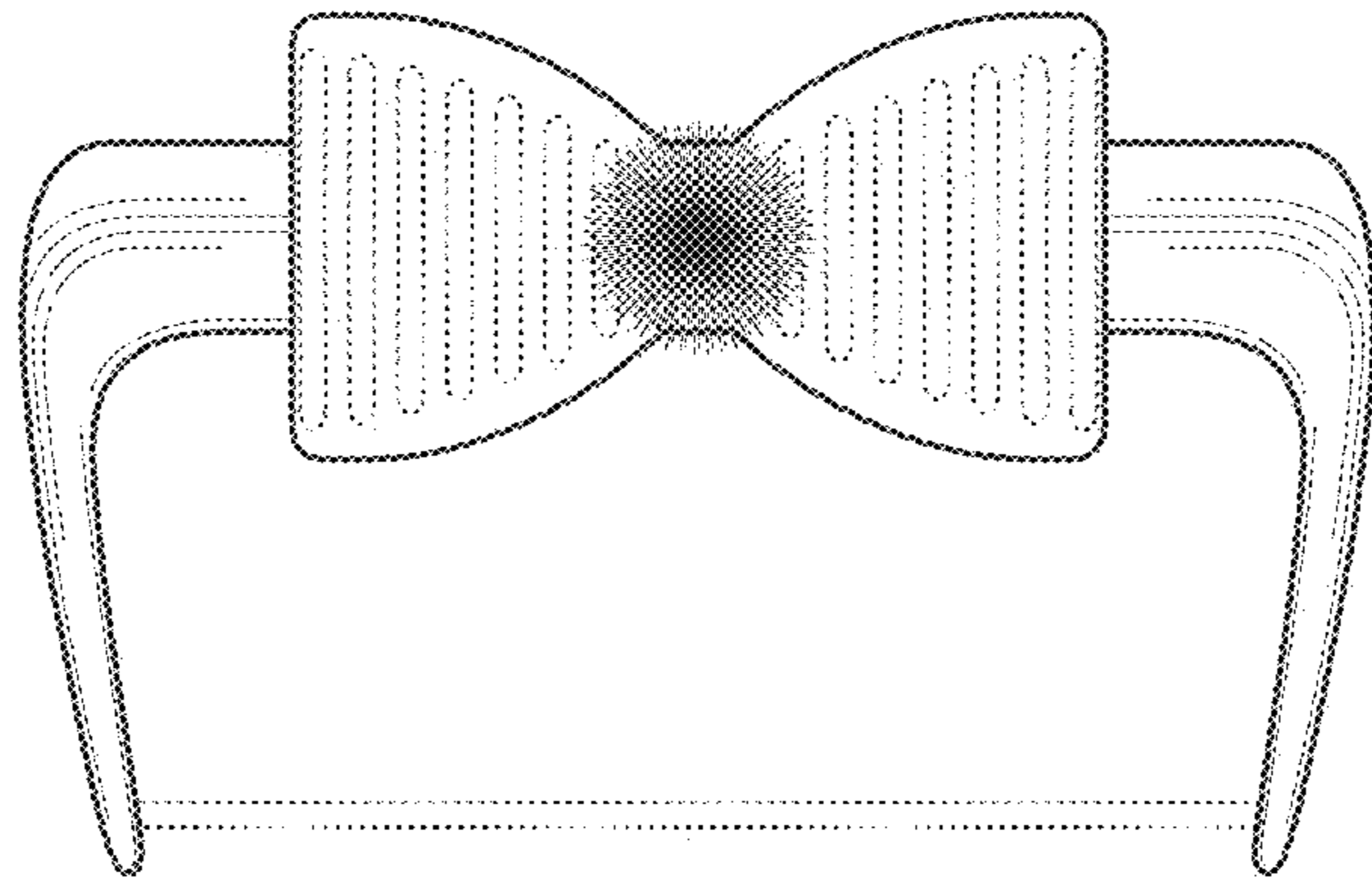


**FIG. 2**

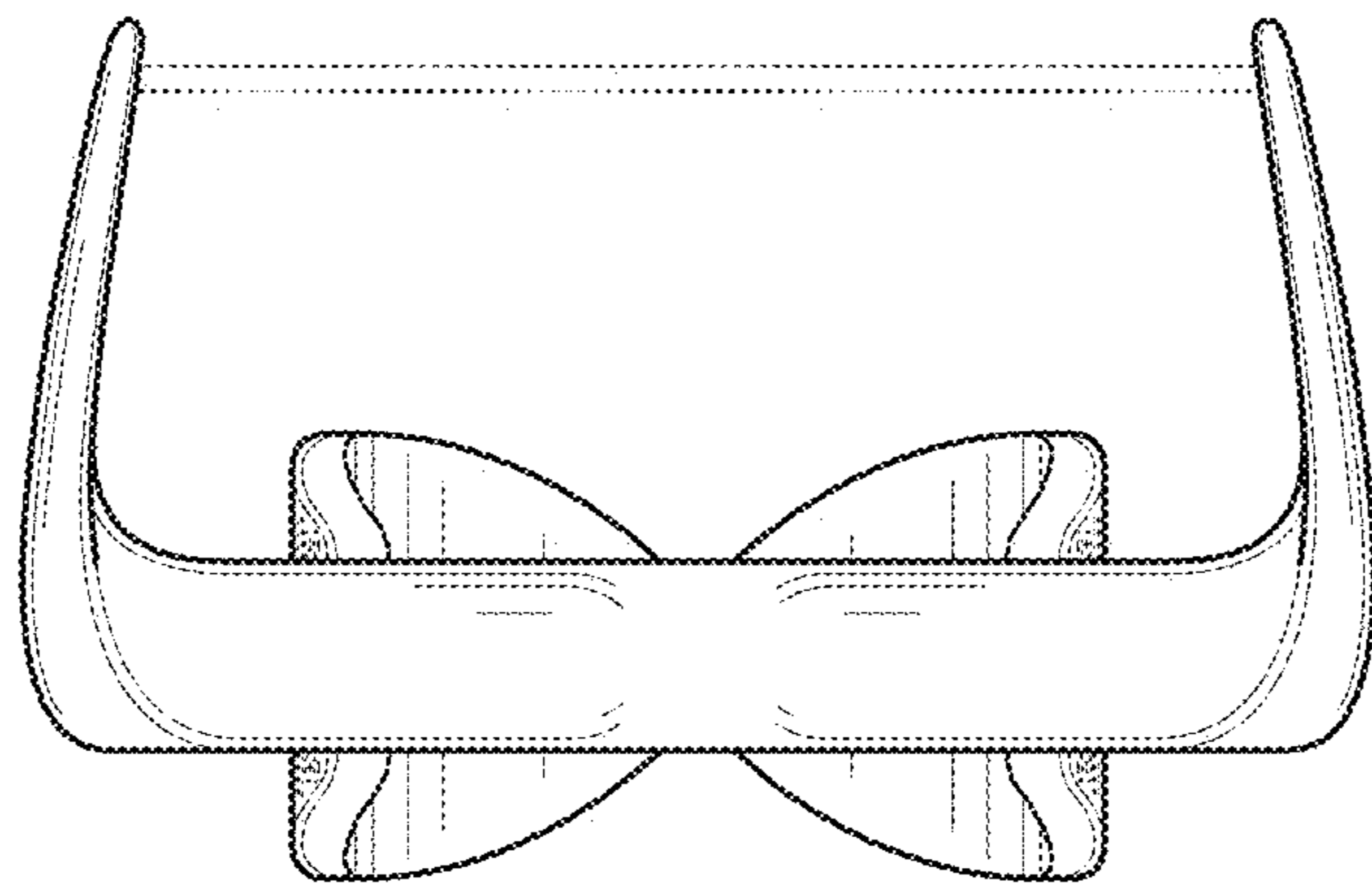
**FIG. 3**







**FIG. 6**



**FIG. 7**