



US00D943829S

(12) **United States Design Patent**
Bailey

(10) **Patent No.:** **US D943,829 S**

(45) **Date of Patent:** **** Feb. 15, 2022**

(54) **COMB**

(71) Applicant: **C Bailey Boys & Co. LLC**, Toledo, OH (US)

(72) Inventor: **Cynthia Bailey**, Toledo, OH (US)

(73) Assignee: **C Bailey Boys & Co. LLC**, Toledo, OH (US)

(**) Term: **15 Years**

(21) Appl. No.: **29/739,880**

(22) Filed: **Jun. 30, 2020**

(51) **LOC (13) Cl.** **28-03**

(52) **U.S. Cl.**
USPC **D28/21**

(58) **Field of Classification Search**
USPC D28/7, 20-34, 39, 43; D30/158, 159
CPC A45D 24/00; A45D 24/005; A45D 24/02;
A45D 24/04; A45D 24/06; A45D 24/14;
A45D 24/22

See application file for complete search history.

(56) **References Cited**

U.S. PATENT DOCUMENTS

2,474,212 A * 6/1949 Benco A45D 24/04
132/138
D169,792 S * 6/1953 Sklavenitis D28/29

D242,629 S * 12/1976 Cole D14/265
D367,728 S * 3/1996 Bozak D28/21
D405,228 S * 2/1999 Lucero D28/25
D796,740 S * 9/2017 Burton D28/21
D812,299 S * 3/2018 Suh D28/29
D834,250 S * 11/2018 Condon D28/21
2021/0145145 A1 * 5/2021 Wojczak A46D 1/0246

* cited by examiner

Primary Examiner — Zenia I Bennett

(74) *Attorney, Agent, or Firm* — MacMillan, Sobanski & Todd, LLC

(57) **CLAIM**

I claim the ornamental design for a comb, as shown and described.

DESCRIPTION

FIG. 1 is a left side front perspective view of an example comb showing my design.

FIG. 2 is a rear elevation view of the comb illustrated in FIG. 1. The front elevation view is identical to the rear elevation.

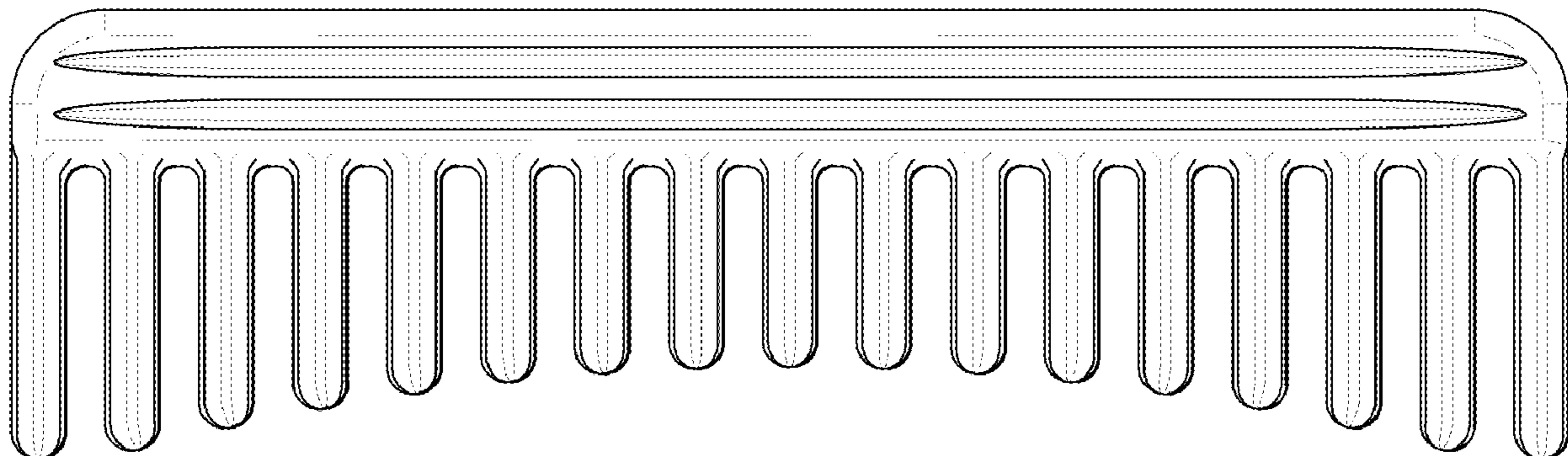
FIG. 3 is a top plan view of the comb illustrated in FIG. 1.

FIG. 4 is a bottom view of the comb illustrated in FIG. 1.

FIG. 5 is a right elevation view of the comb illustrated in FIG. 1; and,

FIG. 6 is a left elevation view of the comb illustrated in FIG. 1.

1 Claim, 2 Drawing Sheets



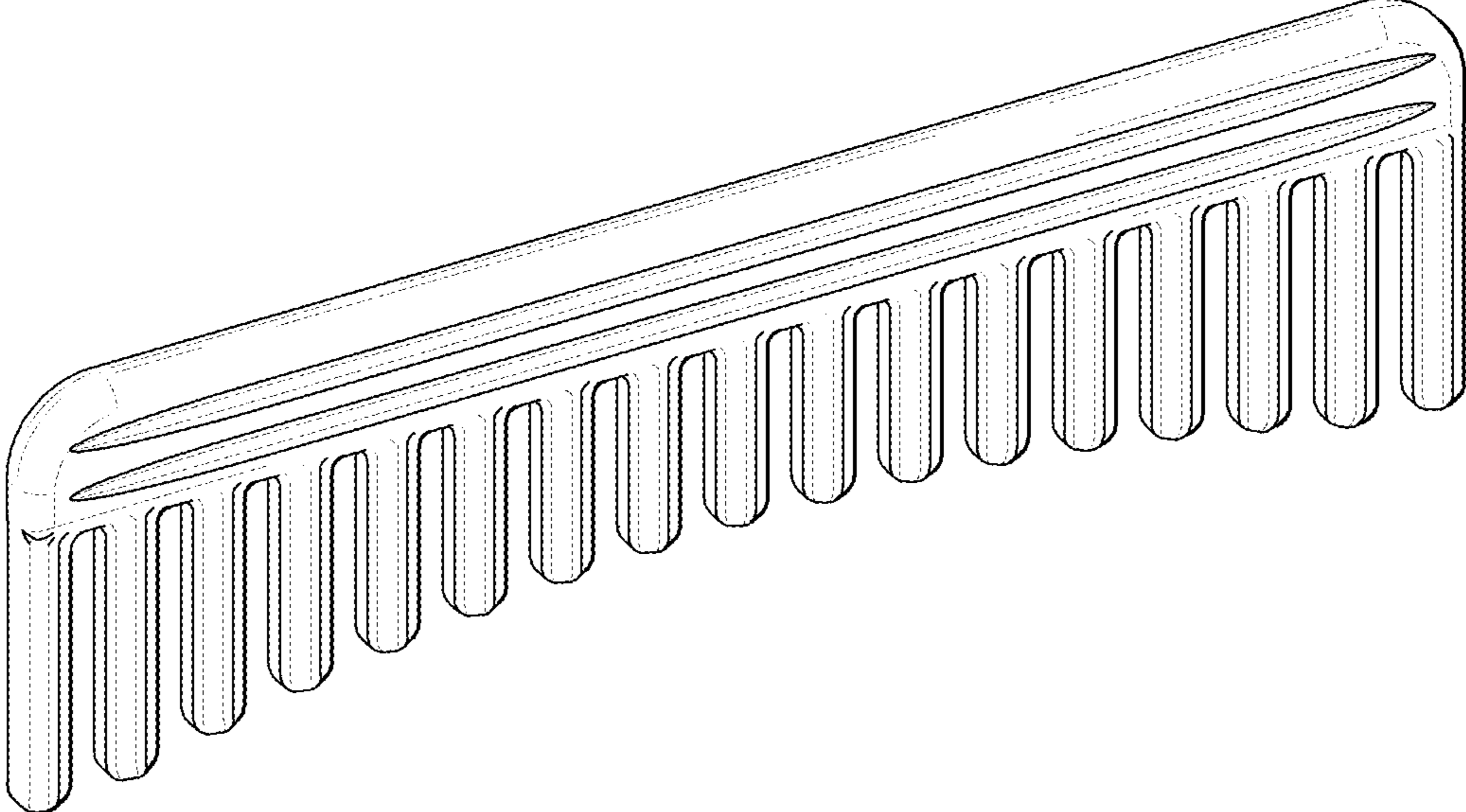


FIG. 1

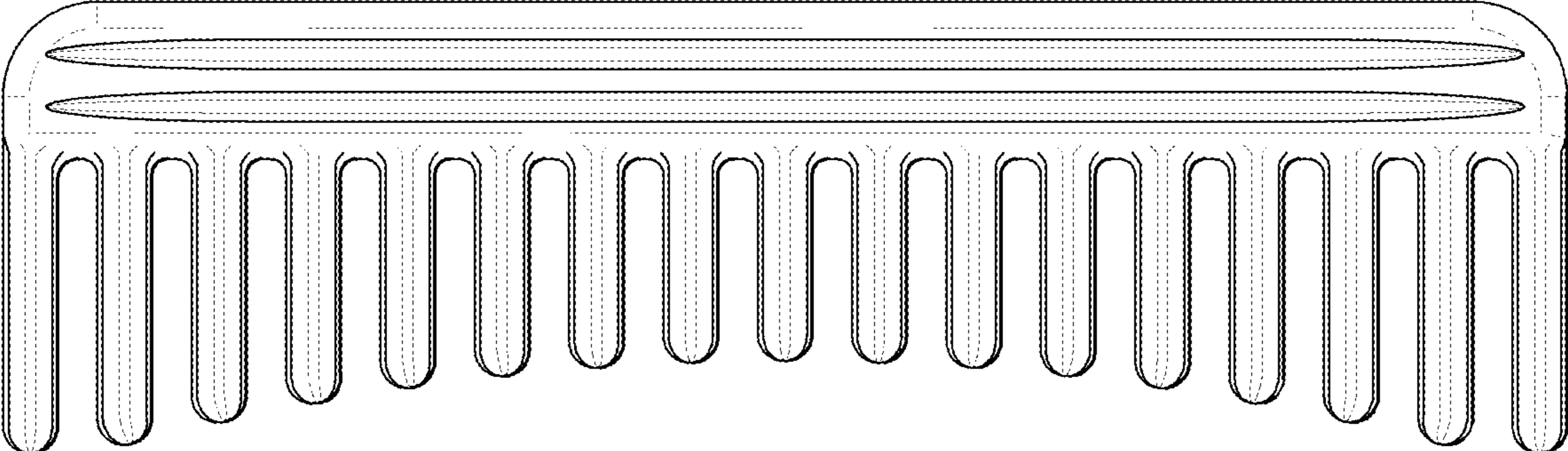


FIG. 2

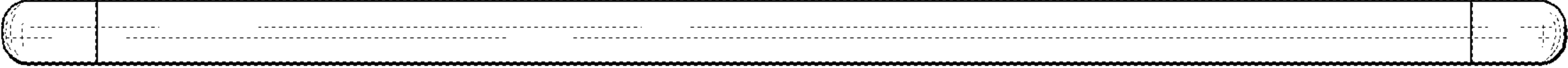


FIG. 3



FIG. 4

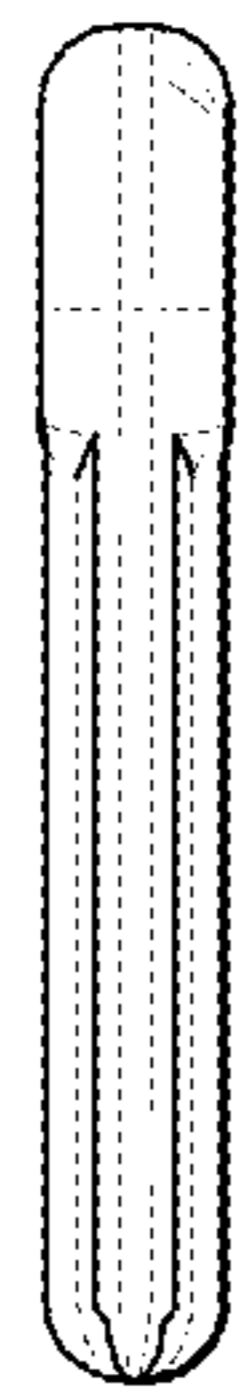


FIG. 5



FIG. 6