



US00D943828S

(12) **United States Design Patent** (10) **Patent No.:** **US D943,828 S**  
**Chandra et al.** (45) **Date of Patent:** **\*\* Feb. 15, 2022**

(54) **BLOW DRYER**  
(71) Applicant: **Helen of Troy Limited**, St. Michael (BB)  
(72) Inventors: **Aakriti Jojo Chandra**, Jersey City, NJ (US); **Yoon Jung Heo**, Fort Lee, NJ (US); **Mathieu Zastawny**, Jersey City, NJ (US); **William Fiebel**, Succasunna, NJ (US); **Luke Hillebrecht**, El Paso, TX (US)

D791,407 S 7/2017 Smith et al.  
D815,353 S \* 4/2018 Barbar ..... D28/13  
D829,378 S \* 9/2018 Parker ..... D28/13  
D850,717 S 6/2019 Huang  
D854,243 S \* 7/2019 Parodi ..... D28/13  
D865,284 S \* 10/2019 Janowick ..... D28/13  
D866,067 S 11/2019 Thompson et al.

(Continued)

FOREIGN PATENT DOCUMENTS

EM 003528843-004 12/2016  
EM 005522315-002 2/2018

(Continued)

OTHER PUBLICATIONS

Hair Dryer By: Red by Kiss found on line Jun. 19, 2021 <https://www.walmart.com/ip/Red-by-Kiss-1875-Pro-Watt-Ceramic-Tourmaline-Hair-Dryer-with-4-Additional-Styling-Attachments/43190593> Mar. 27, 2019.\*

*Primary Examiner* — Marissa J Cash  
*Assistant Examiner* — Rebecca Tsehaye  
(74) *Attorney, Agent, or Firm* — Rankin, Hill & Clark LLP

(57) **CLAIM**

The ornamental design for a blow dryer, as shown and described.

**DESCRIPTION**

FIG. 1 is a top, right side perspective view of a new, original and ornamental design for a blow dryer; FIG. 2 is a right side elevation view of FIG. 1; FIG. 3 is a left side elevation view of FIG. 1; FIG. 4 is a front elevation of FIG. 1; FIG. 5 is a rear elevation view of FIG. 1; FIG. 6 is a top plan view of FIG. 1; and, FIG. 7 is a bottom plan view of FIG. 1. The broken lines in the drawings depict portions of the blow dryer that form no part of the claimed design.

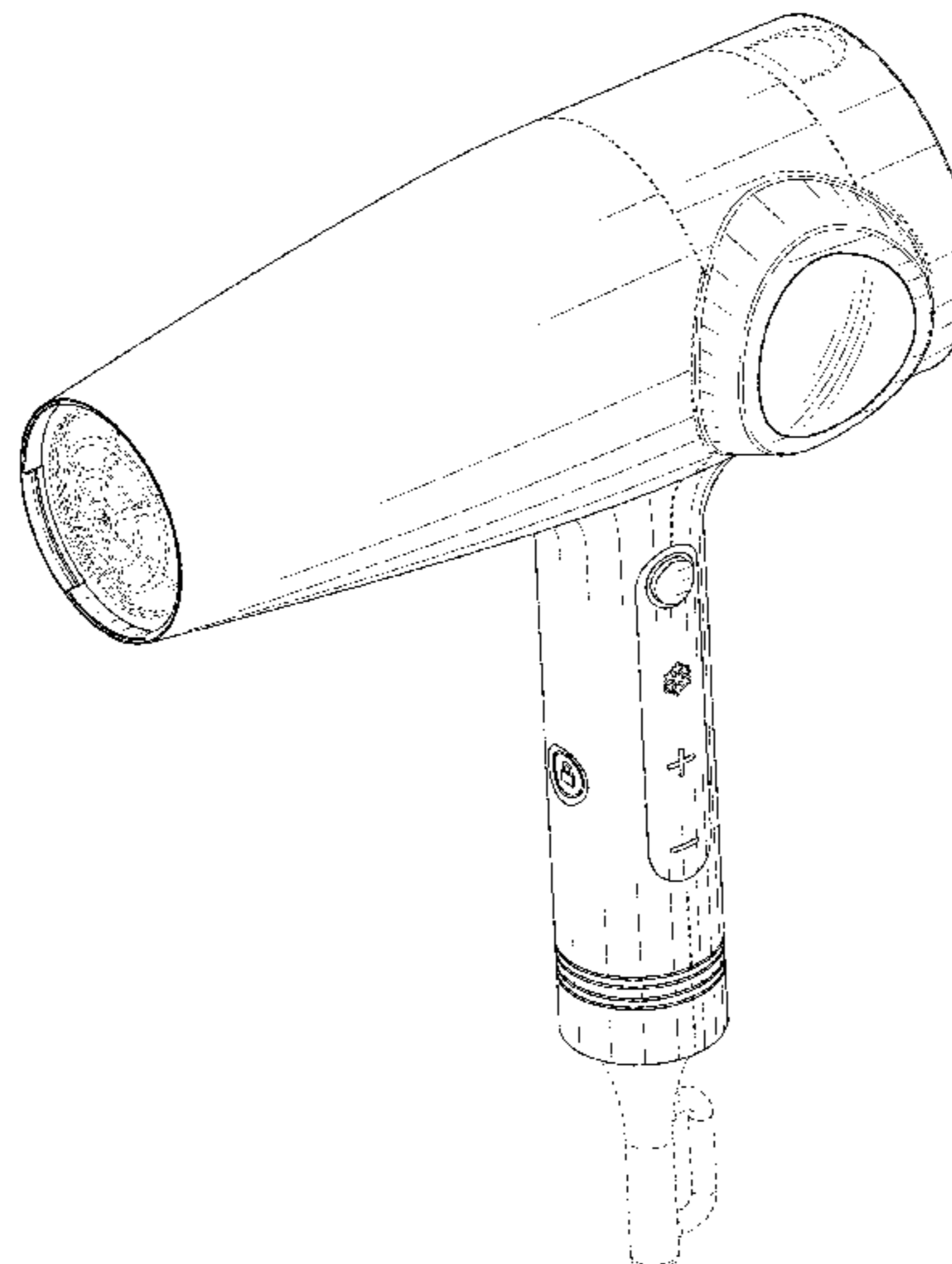
**1 Claim, 5 Drawing Sheets**

(73) Assignee: **Helen of Troy Limited**, St. Michael (BB)  
(\*\*) Term: **15 Years**  
(21) Appl. No.: **29/737,558**  
(22) Filed: **Jun. 10, 2020**  
(51) **LOC (13) Cl.** ..... **28-03**  
(52) **U.S. Cl.**  
USPC ..... **D28/13**  
(58) **Field of Classification Search**  
USPC ..... D28/13, 12, 10, 17, 18  
CPC ..... A45D 20/08; A45D 20/10; A45D 20/12; A45D 20/122; A45D 20/124; A45D 20/04; A45D 20/48; A45D 20/50; A45D 20/00; A45D 2020/128; A45D 2020/126; A24H 3/0423; A24H 3/00202; A24H 3/022; F24H 9/2071  
See application file for complete search history.

(56) **References Cited**

U.S. PATENT DOCUMENTS

D290,174 S 6/1987 Tsuji et al.  
D473,341 S \* 4/2003 Bokelman-Dumas ..... D28/13  
D606,247 S \* 12/2009 Yu ..... D28/13  
D651,341 S \* 12/2011 Schmitz ..... D28/13  
D716,492 S 10/2014 Dyson et al.  
9,267,735 B2 \* 2/2016 Funayama ..... F26B 7/00  
D758,012 S 5/2016 Bates et al.  
D758,657 S \* 6/2016 Hary ..... D28/13



(56)

**References Cited**

U.S. PATENT DOCUMENTS

D899,683 S \* 10/2020 Brady ..... D28/13  
D899,684 S \* 10/2020 Chen ..... D28/13  
D909,675 S \* 2/2021 Huang ..... D28/13  
D909,676 S \* 2/2021 Santos ..... D28/13  
D911,603 S \* 2/2021 Wang ..... D28/13

FOREIGN PATENT DOCUMENTS

EM 007271317-002 11/2019  
EM 007521901-001 1/2020

\* cited by examiner

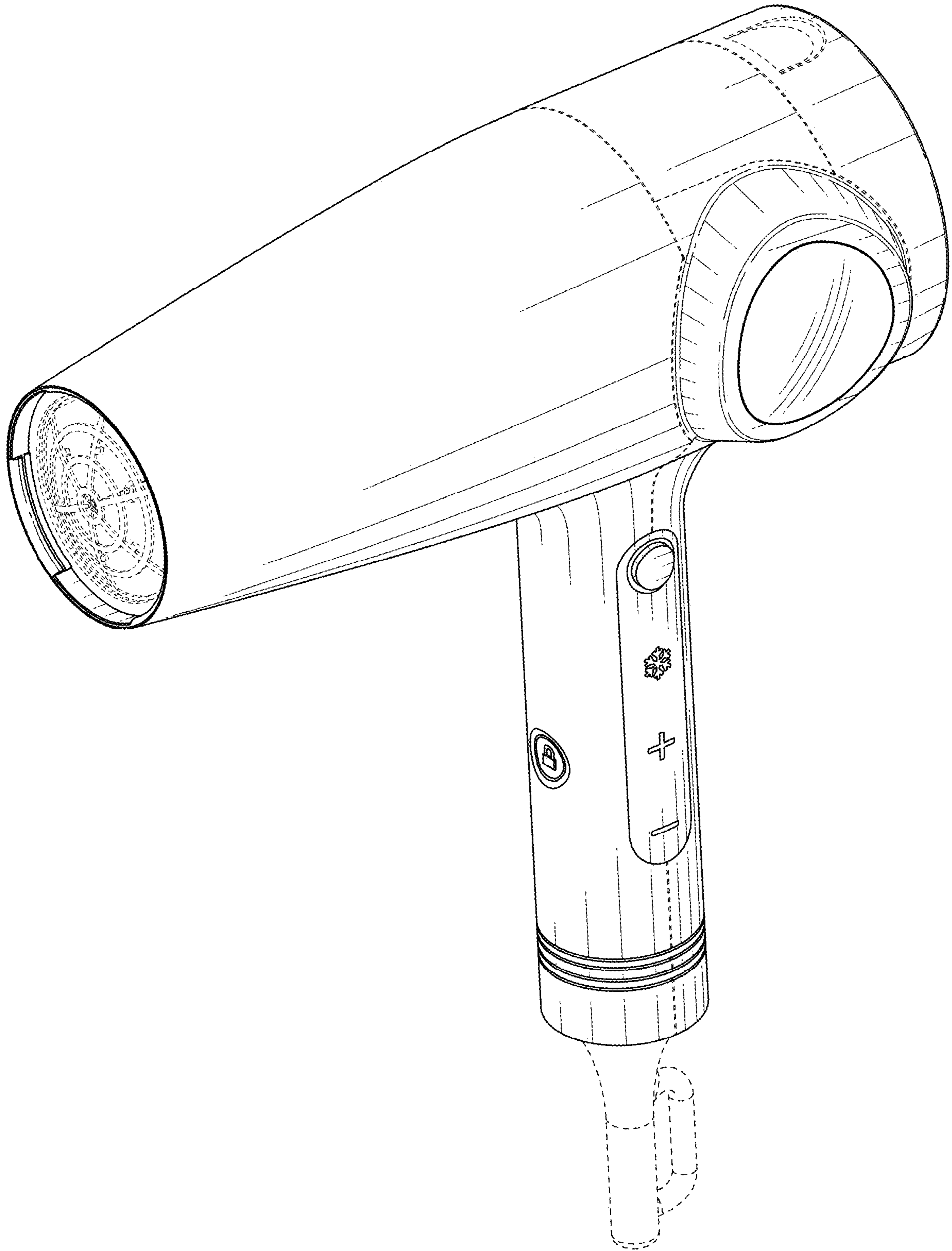


FIG. 1

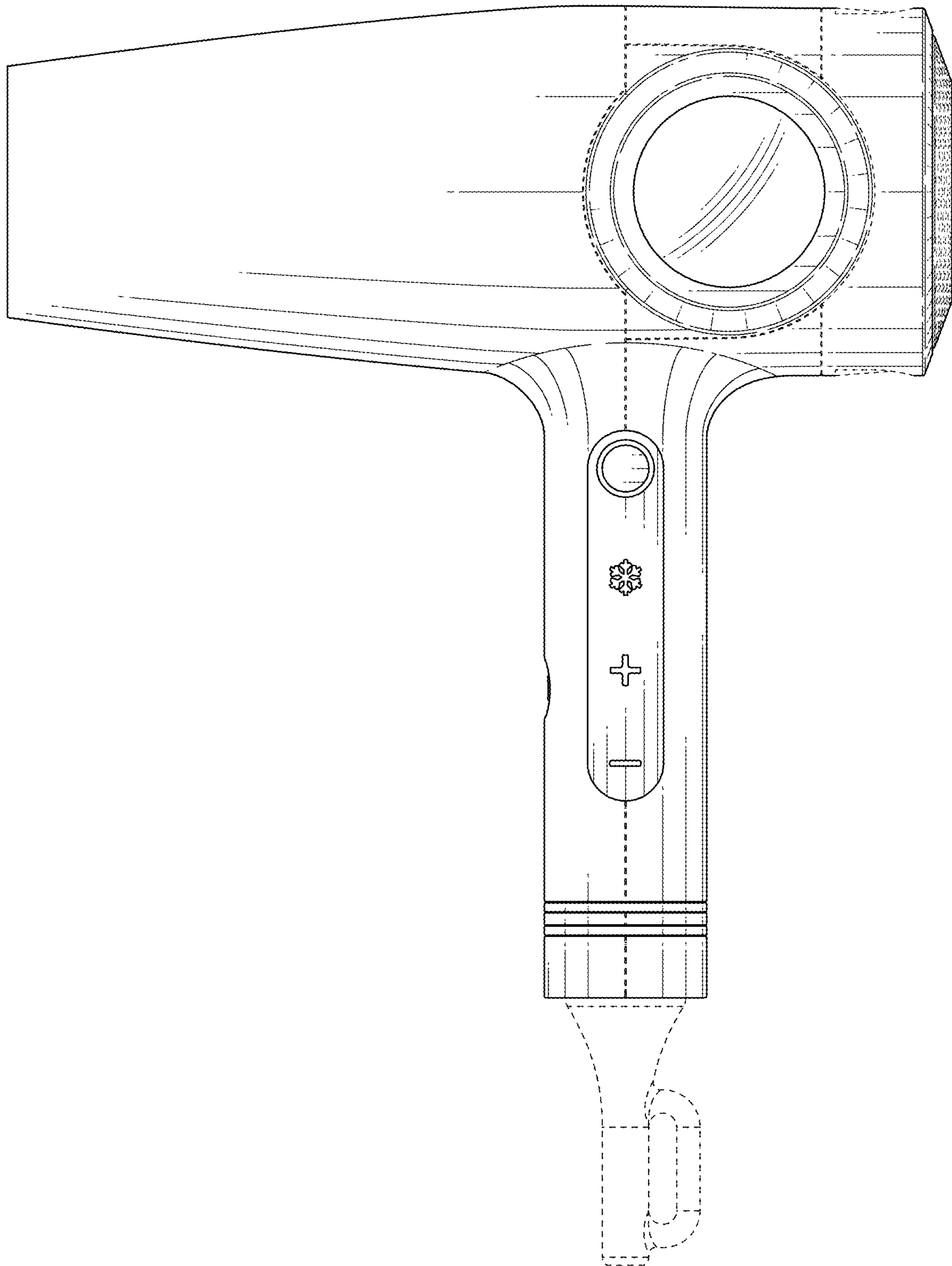


FIG. 2

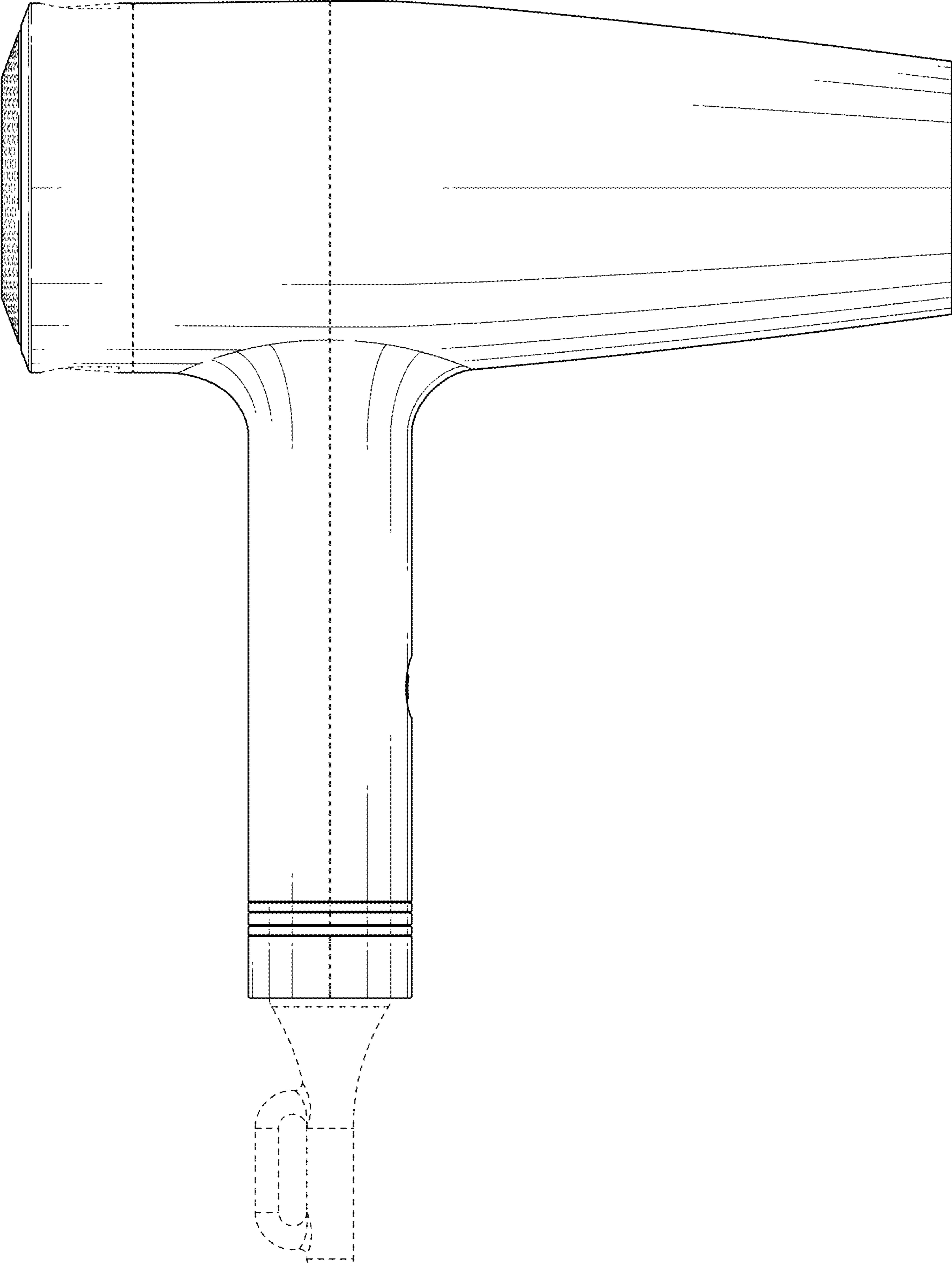


FIG. 3

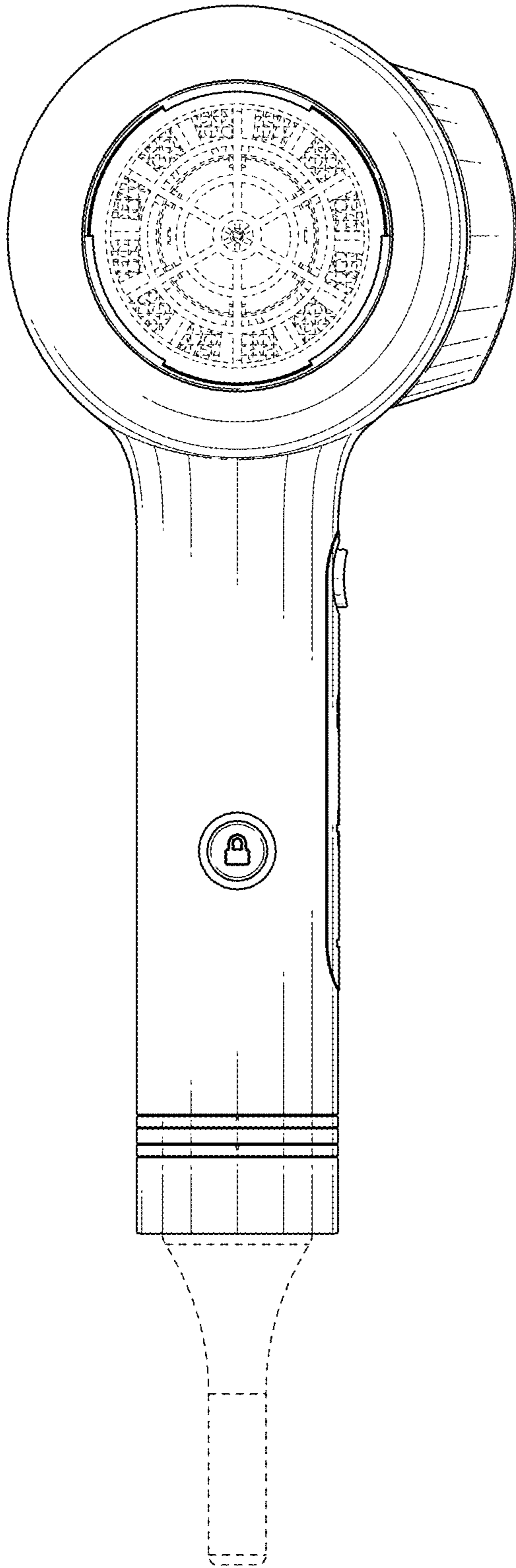


FIG. 4

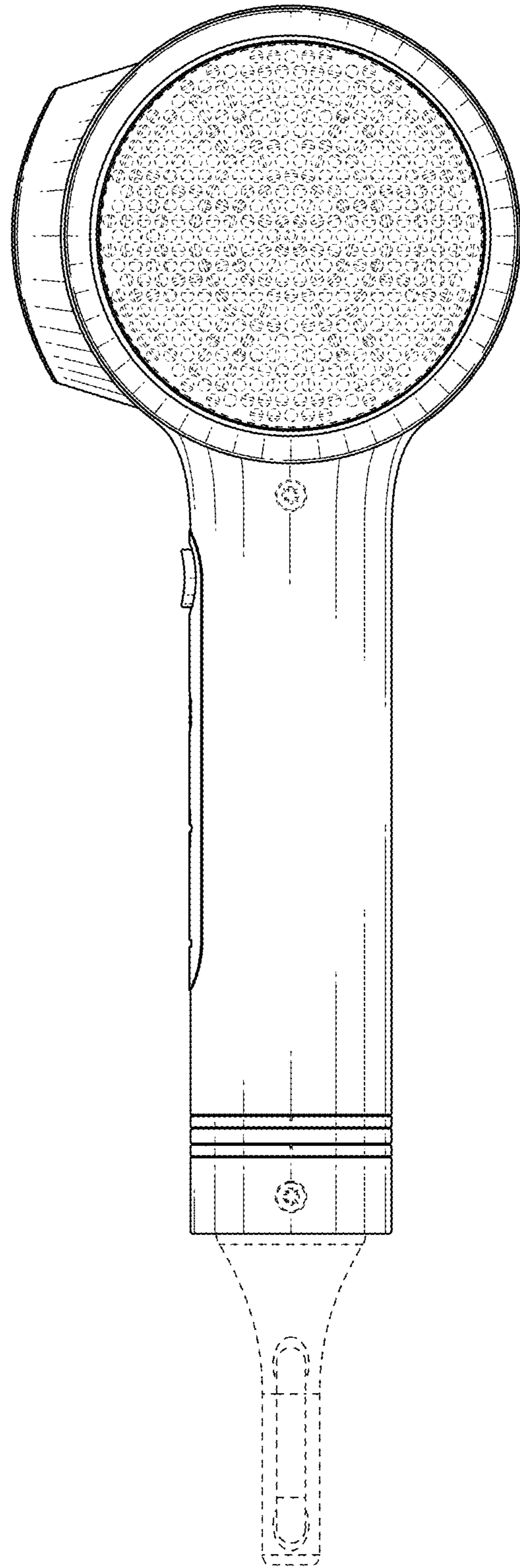


FIG. 5

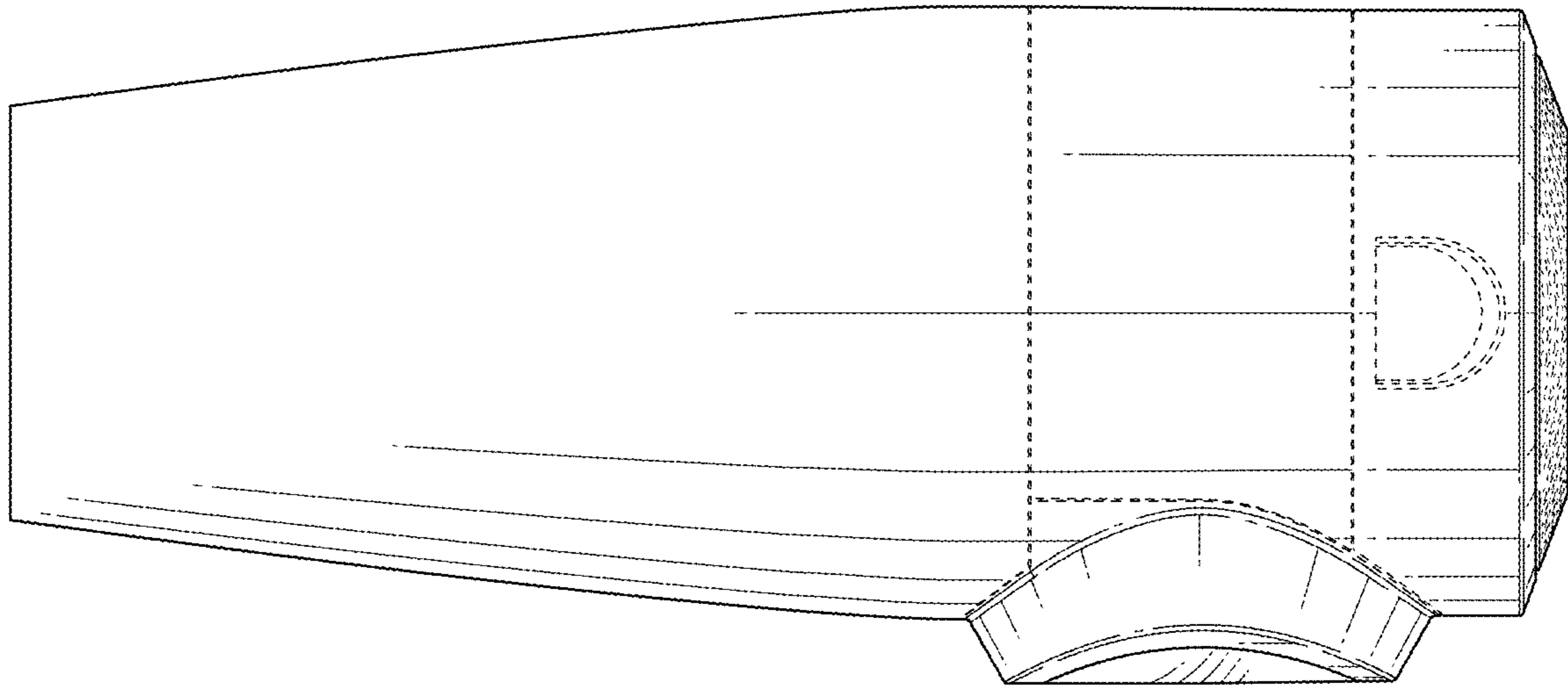


FIG. 6

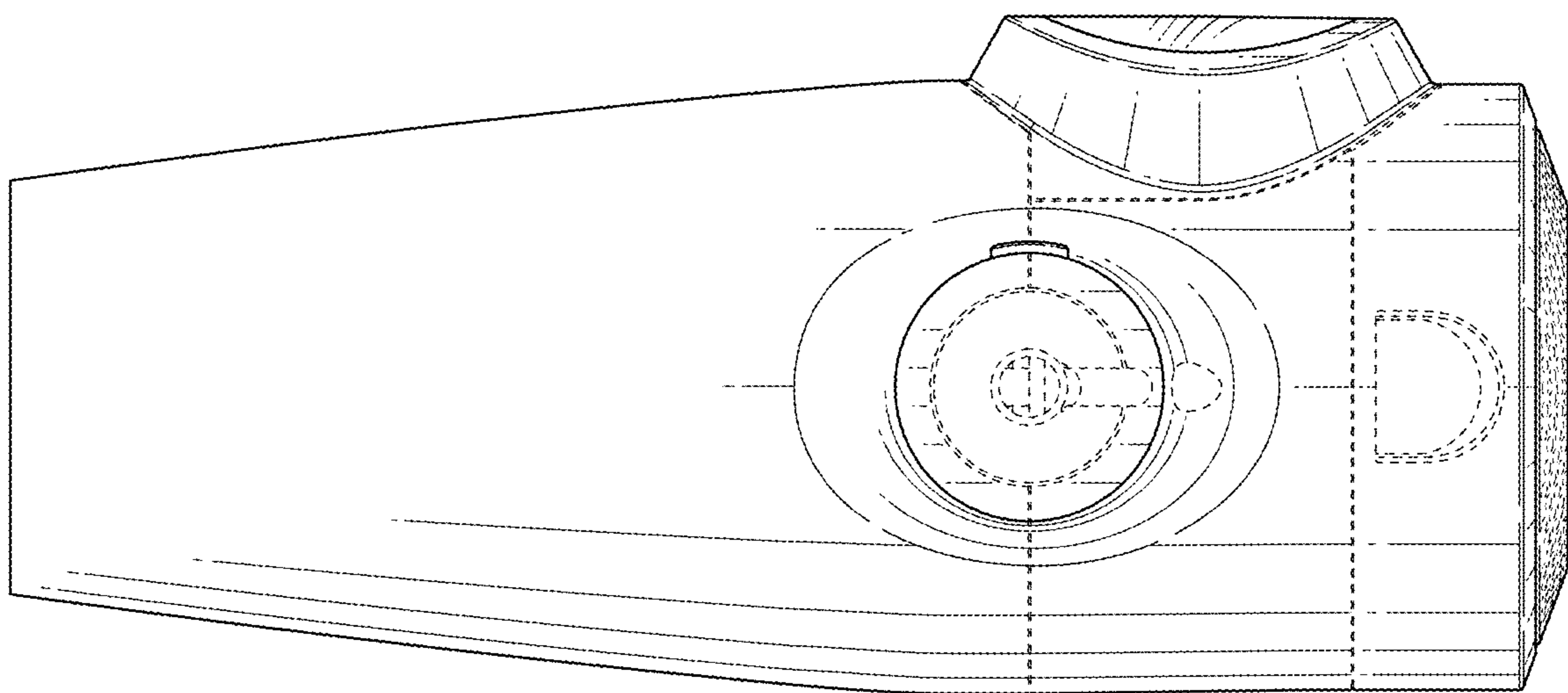


FIG. 7