



US00D943827S

(12) **United States Design Patent**
Gerhards

(10) **Patent No.:** **US D943,827 S**

(45) **Date of Patent:** **** Feb. 15, 2022**

- (54) **TABLET**
- (71) Applicant: **Henkel AG & Co. KGaA**, Duesseldorf (DE)
- (72) Inventor: **Katja Gerhards**, Duesseldorf (DE)
- (73) Assignee: **Henkel AG & Co. KGaA**, Duesseldorf (DE)
- (**) Term: **15 Years**
- (21) Appl. No.: **29/773,342**
- (22) Filed: **Mar. 9, 2021**

| | | | | | | |
|-----------|----|---|---------|-----------|-------|-------------------------|
| D566,893 | S | * | 4/2008 | McCarthy | | D28/8.1 |
| D612,478 | S | * | 3/2010 | Karolak | | D24/101 |
| 8,168,581 | B2 | * | 5/2012 | Wiedemann | | C11D 17/0078 510/446 |
| D681,271 | S | * | 4/2013 | Davis | | D28/8.1 |
| D681,272 | S | * | 4/2013 | Davis | | D28/8.1 |
| D687,182 | S | * | 7/2013 | Gordon | | D28/8.1 |
| D768,923 | S | * | 10/2016 | Dietvorst | | D28/8.1 |
| D812,812 | S | * | 3/2018 | Zuckerman | | D28/8.1 |
| D814,015 | S | * | 3/2018 | Heineck | | D24/101 |
| D814,108 | S | * | 3/2018 | Zuckerman | | D28/8.1 |
| D821,643 | S | * | 6/2018 | Hartman | | D28/8.1 |
| D844,894 | S | * | 4/2019 | Gerhards | | D28/8.1 |
| D846,190 | S | * | 4/2019 | Zuckerman | | D28/8.1 |
| D846,191 | S | * | 4/2019 | Zuckerman | | D28/8.1 |
| D848,061 | S | * | 5/2019 | Zuckerman | | D28/8.1 |
| D898,584 | S | * | 10/2020 | Mowbray | | D9/707 |
| D913,585 | S | * | 3/2021 | Gerhards | | D28/8.1 |
| D921,287 | S | * | 6/2021 | de Boer | | D28/8.1 |
| D924,482 | S | * | 7/2021 | Cronk | | D28/8.1 |

Related U.S. Application Data

- (62) Division of application No. 29/680,733, filed on Feb. 19, 2019, now Pat. No. Des. 913,585, which is a division of application No. 29/591,078, filed on Jan. 17, 2017, now Pat. No. Des. 844,894.
- (51) **LOC (13) Cl.** **28-02**
- (52) **U.S. Cl.**
USPC **D28/8.1; D24/101**
- (58) **Field of Classification Search**
USPC D9/421, 424-426, 430-432, 414-416,
D9/428, 702-714, 759; D28/4, 8.1-8.2;
D24/100-104
CPC C11D 17/0065-0095; C11D 17/00-0039;
C11D 17/04-047
See application file for complete search history.

* cited by examiner

Primary Examiner — Jennifer Rivard

(74) *Attorney, Agent, or Firm* — Bojuan Deng

(57) **CLAIM**

The ornamental design for the tablet, as shown and described.

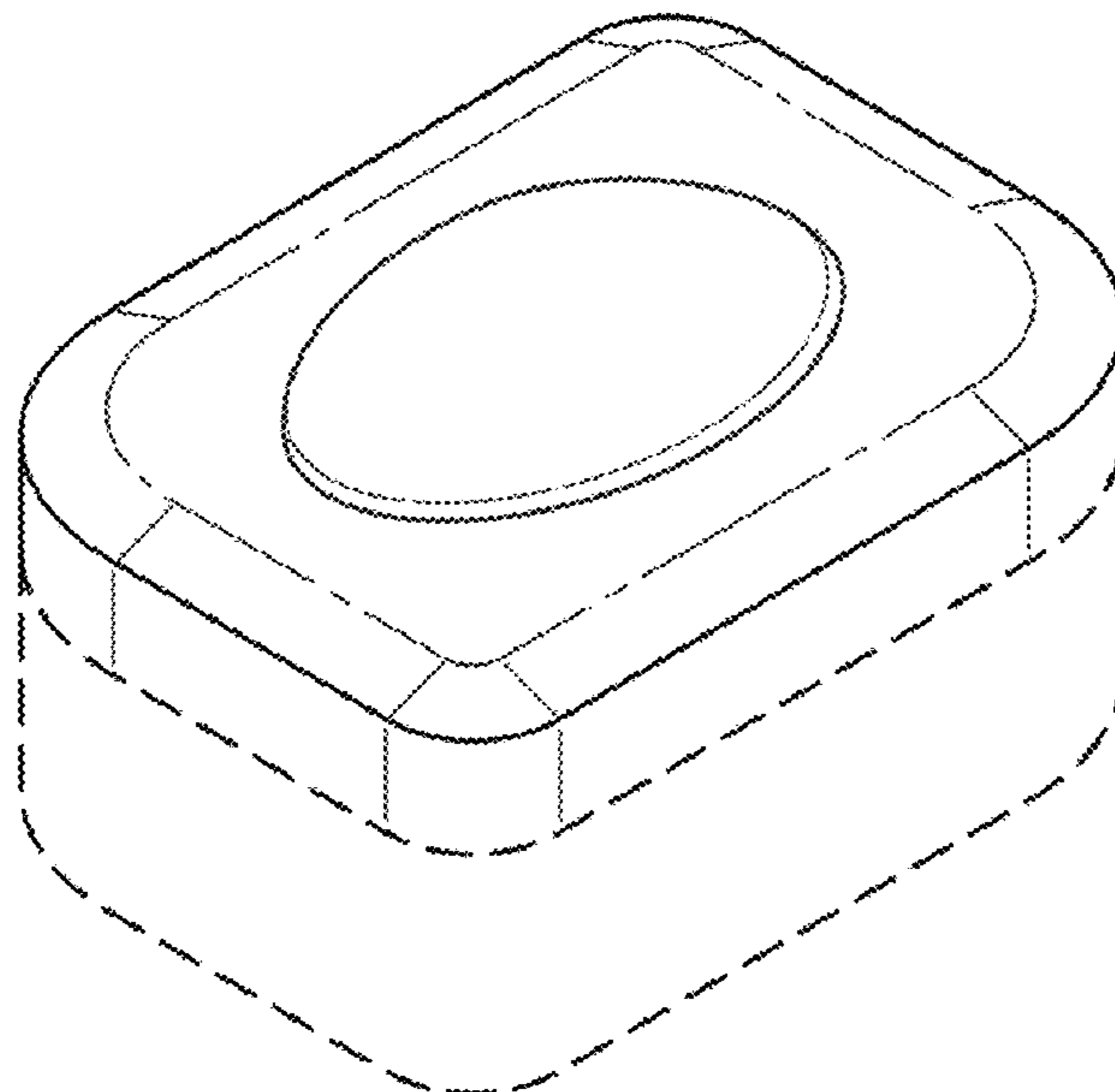
DESCRIPTION

FIG. 1 is a front perspective view of a tablet embodying the new design;
 FIG. 2 is a front side elevation view thereof;
 FIG. 3 is a rear side elevation view thereof;
 FIG. 4 is a right side elevation view thereof;
 FIG. 5 is a left side elevation view thereof;
 FIG. 6 is a top plan view thereof; and,
 FIG. 7 is a bottom plan view thereof.
 The broken lines shown in the drawings depict portions of the tablet that form no part of the claimed design.

(56) **References Cited**
 U.S. PATENT DOCUMENTS

| | | | | | | |
|-----------|----|---|---------|-------------|-------|-------------------------|
| D260,301 | S | * | 8/1981 | O'Connor | | D28/8.1 |
| D347,084 | S | * | 5/1994 | Crawford | | D28/8.1 |
| D443,108 | S | * | 5/2001 | Friesenhahn | | D28/8.1 |
| 7,144,851 | B2 | * | 12/2006 | Kosub | | C11D 17/0078 510/446 |

1 Claim, 3 Drawing Sheets



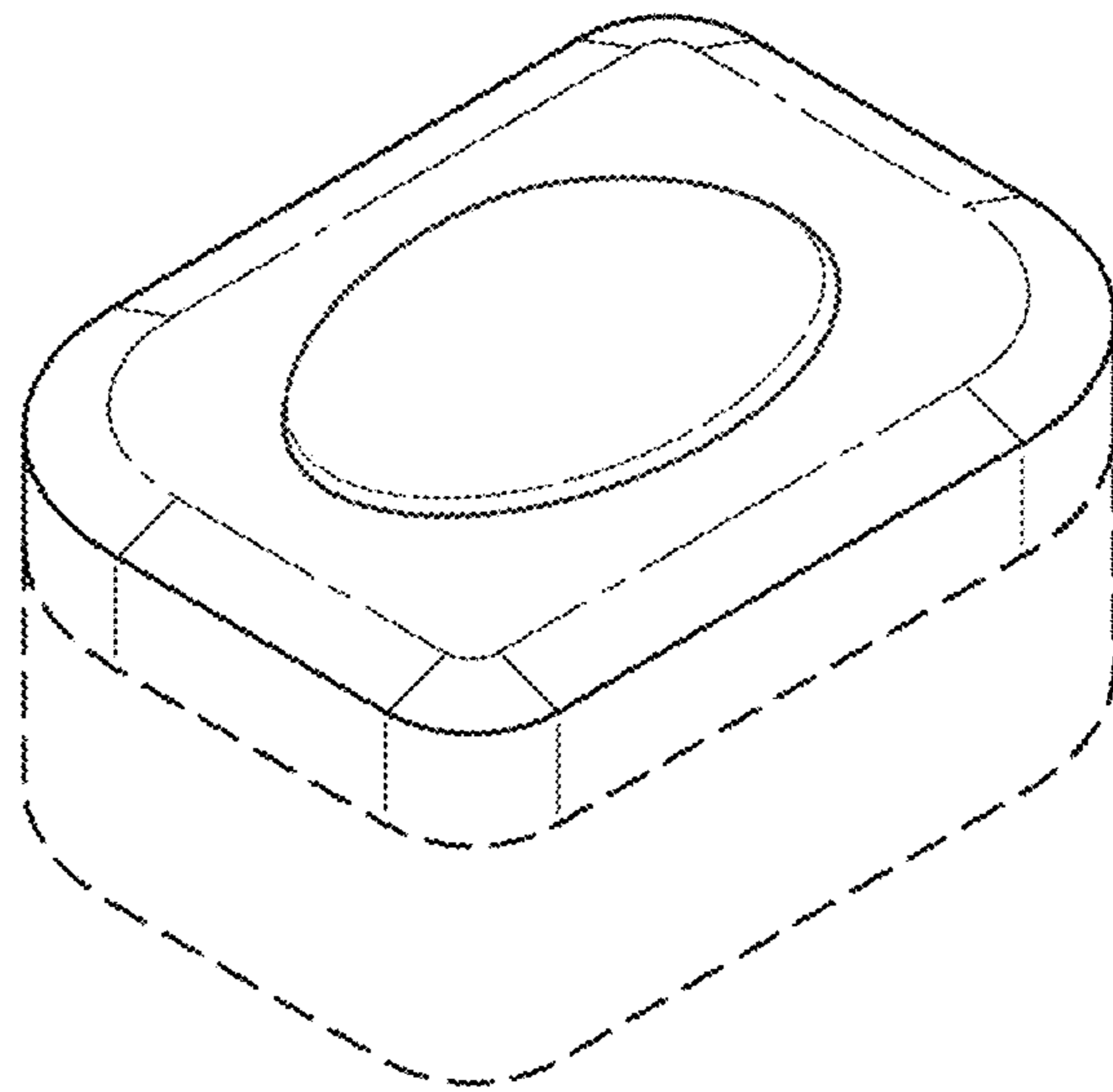


FIG. 1

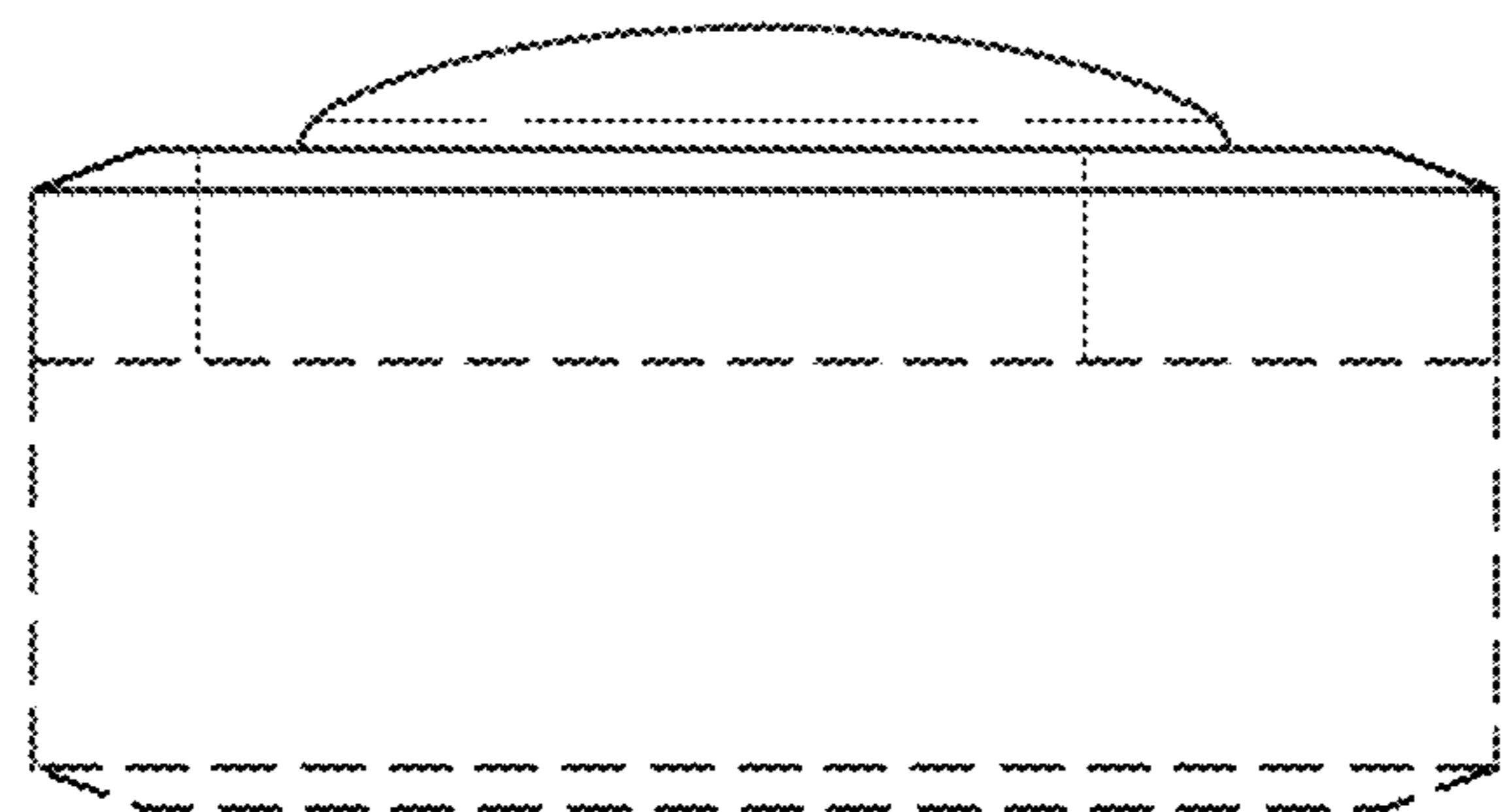


FIG. 2

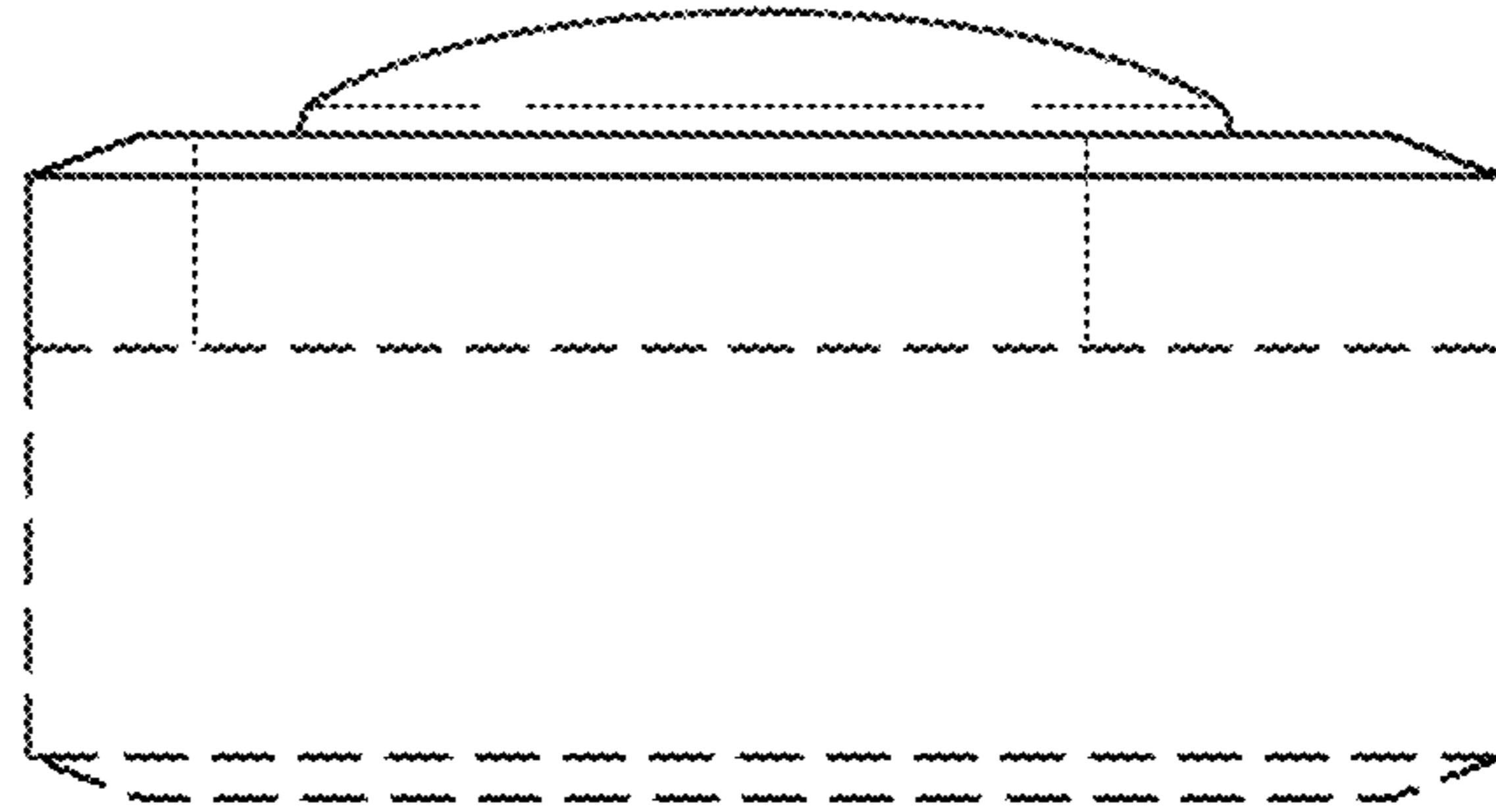


FIG. 3

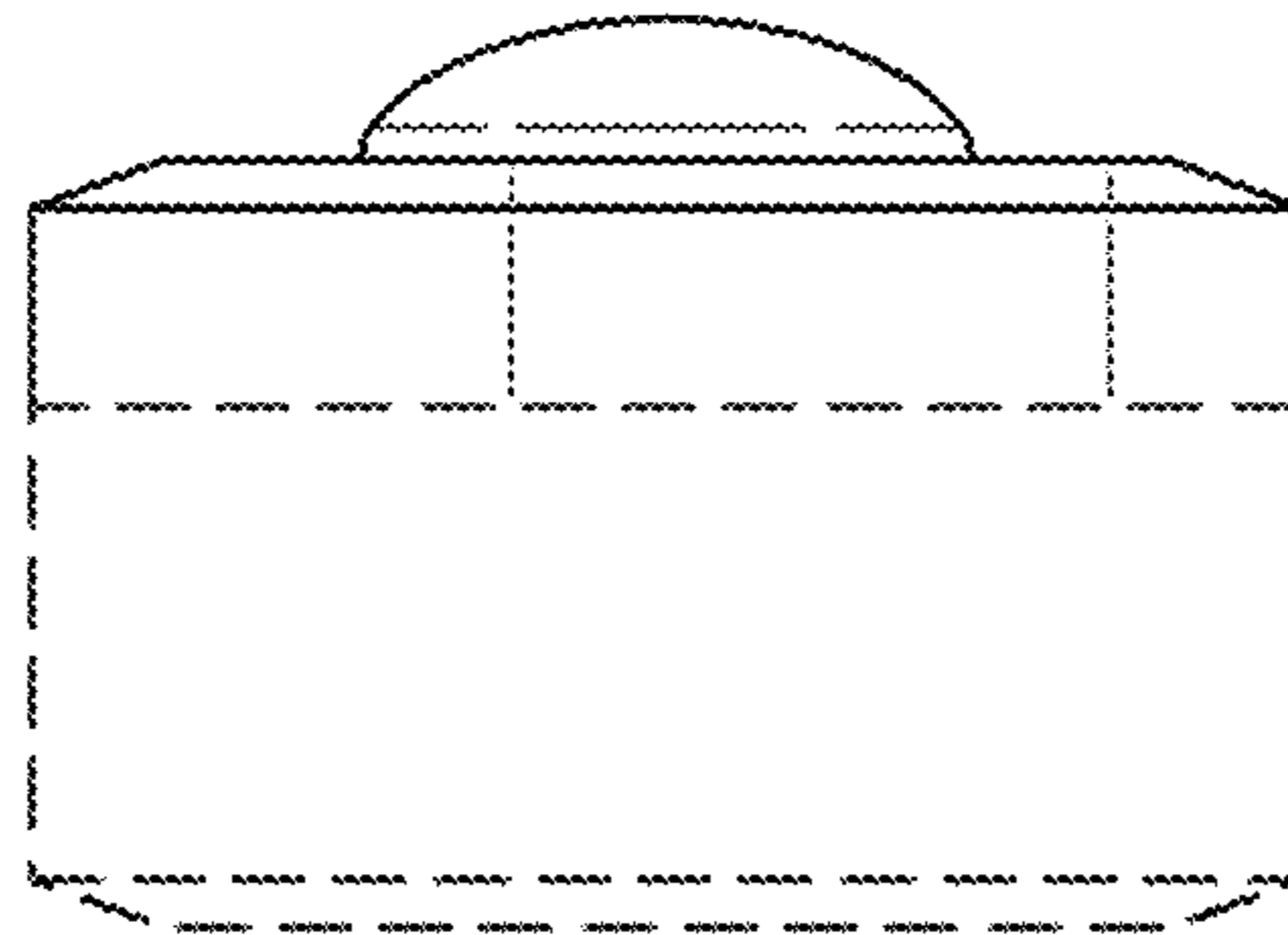


FIG. 4

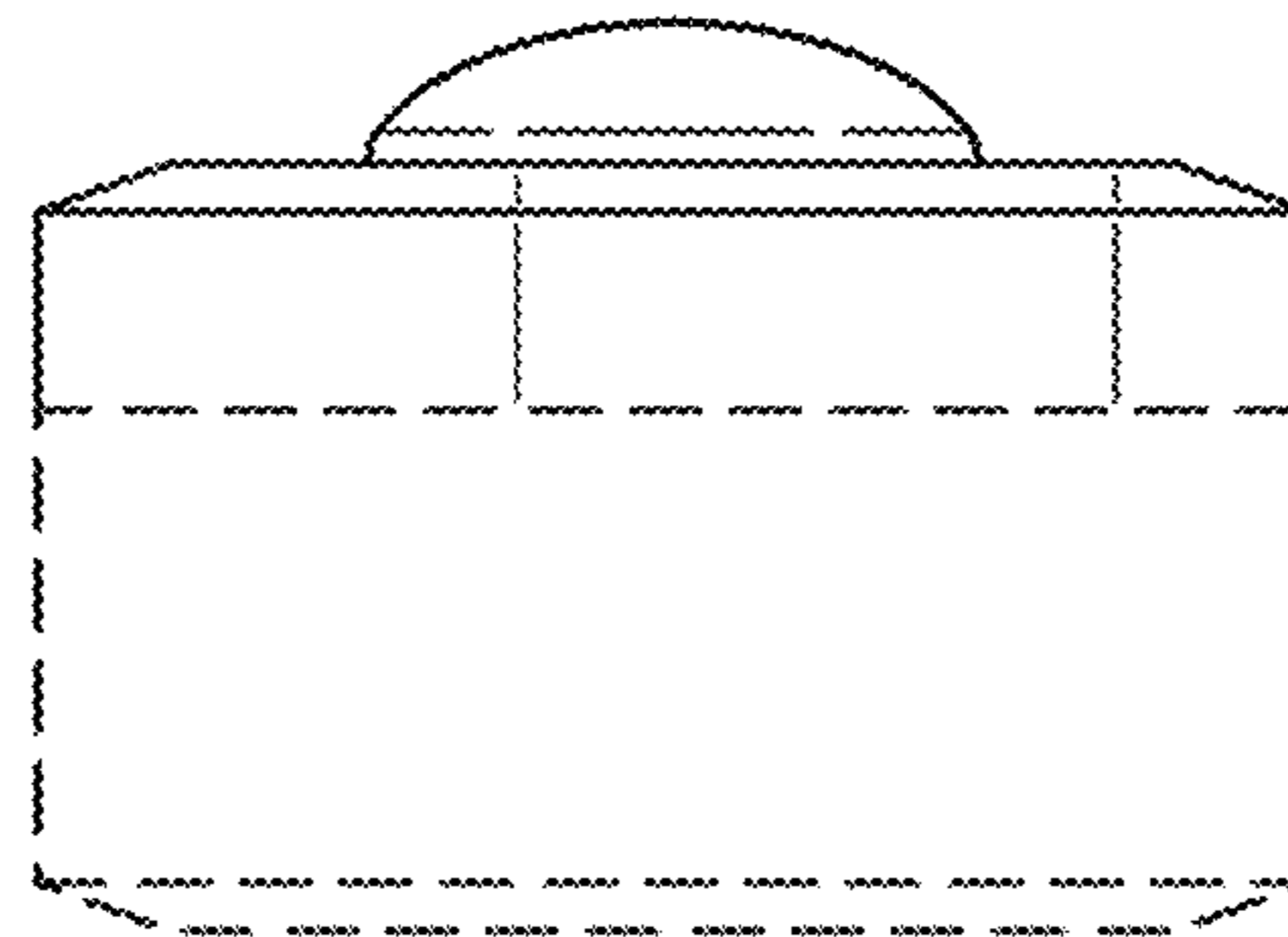


FIG. 5

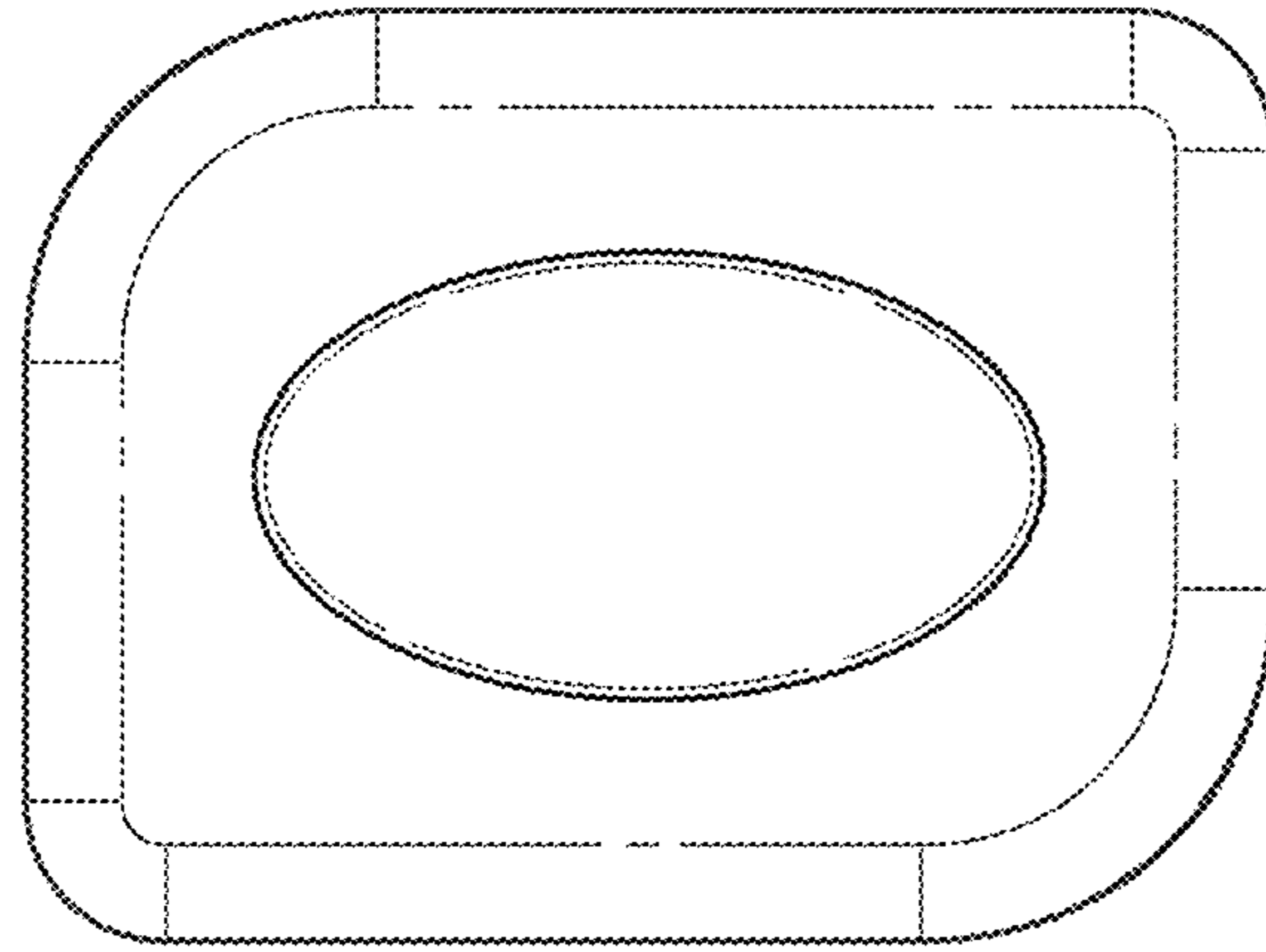


FIG. 6

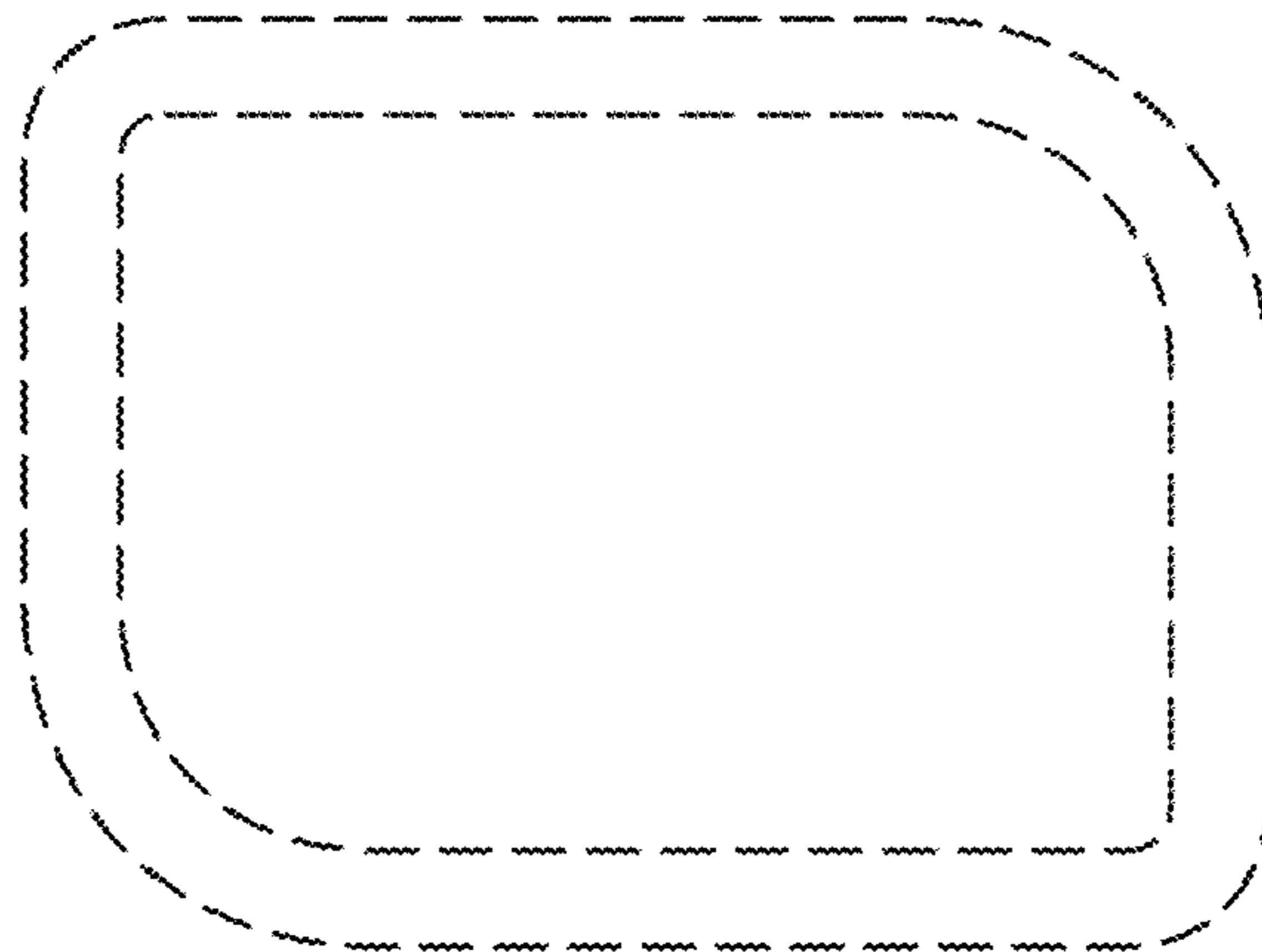


FIG. 7