



US00D943826S

(12) **United States Design Patent** (10) **Patent No.:** **US D943,826 S**
Vennemeyer et al. (45) **Date of Patent:** **** Feb. 15, 2022**

(54) **COSMETIC APPLICATOR**
(71) Applicant: **The Procter & Gamble Company**,
Cincinnati, OH (US)
(72) Inventors: **Marilyn Anne Vennemeyer**, Cincinnati,
OH (US); **James Douglas Still**, Cleves,
OH (US); **William Dale Murdock**,
Cheviot, OH (US); **Mikah Coffindaffer**,
Mason, OH (US); **Kendrick Jon**
Hughes, Cincinnati, OH (US);
Christopher Paul Turner, Parker, CO
(US)

D439,019 S * 3/2001 Motosko D28/76
6,241,978 B1 6/2001 Schlaeger
D455,235 S * 4/2002 Braaten D28/78
D457,986 S 5/2002 Rodriguez et al.
D503,831 S * 4/2005 Ames D28/78
7,156,885 B2 1/2007 Kennedy
D599,958 S * 9/2009 Washington D28/82
D600,855 S * 9/2009 Krohn D28/83
D629,201 S * 12/2010 Demarco D28/83
8,091,559 B2 1/2012 Lund
8,132,570 B2 3/2012 Glenn, Jr.
8,132,574 B2 3/2012 Baker

(Continued)

OTHER PUBLICATIONS

(73) Assignee: **The Procter and Gamble Company**,
Cincinnati, OH (US)

All final and non-final office actions for U.S. Appl. No. 29/567,379.
(Continued)

(**) Term: **15 Years**

Primary Examiner — April Rivas

(21) Appl. No.: **29/731,978**

(74) *Attorney, Agent, or Firm* — Linda M. Sivik

(22) Filed: **Apr. 20, 2020**

(57) **CLAIM**

The ornamental design for a cosmetic applicator, as shown
and described.

Related U.S. Application Data

(62) Division of application No. 29/667,072, filed on Oct.
18, 2018, now Pat. No. Des. 912,891.

DESCRIPTION

(51) **LOC (13) Cl.** **28-03**
(52) **U.S. Cl.**
USPC **D28/7; D28/78**
(58) **Field of Classification Search**
USPC D28/7, 77, 78, 82, 83
CPC A45D 40/22; A45D 40/18; A45D 19/16
See application file for complete search history.

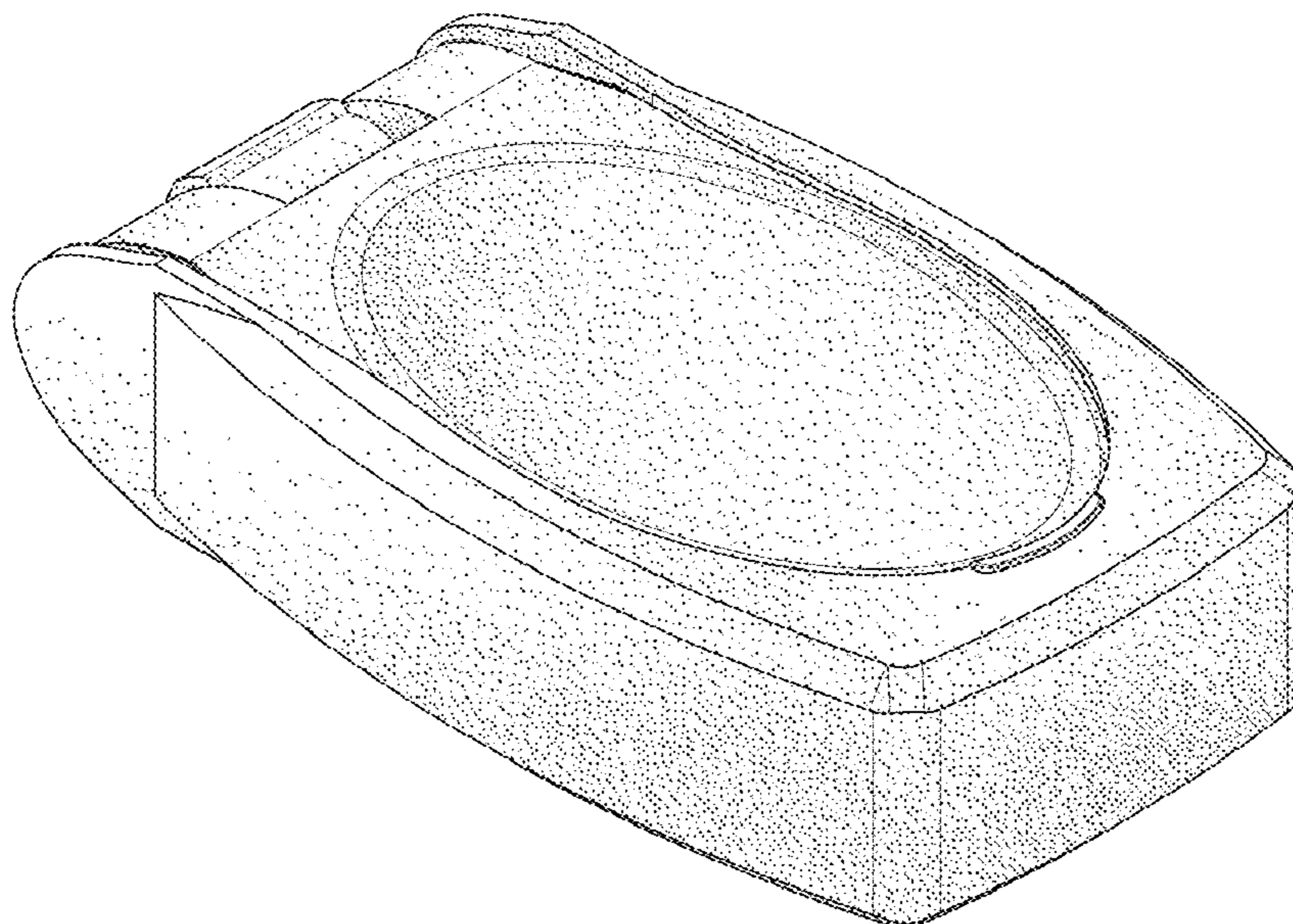
FIG. 1 is a perspective view of a cosmetic applicator,
embodying our new design;
FIG. 2 is a front view of the cosmetic applicator of FIG. 1;
FIG. 3 is a right side view of the cosmetic container of FIG.
1;
FIG. 4 is a back view of the cosmetic applicator of FIG. 1;
FIG. 5 is a left side view of the cosmetic container of FIG.
1;
FIG. 6 is a top view of the cosmetic applicator of FIG. 1;
and,
FIG. 7 is a bottom view of the cosmetic applicator of FIG.
1.

(56) **References Cited**

U.S. PATENT DOCUMENTS

D122,007 S 8/1940 Bottham
D350,836 S 9/1994 Chevassus
5,715,688 A 2/1998 Jones, III

1 Claim, 2 Drawing Sheets



(56)

References Cited

U.S. PATENT DOCUMENTS

8,186,363 B2 5/2012 Smith
 D663,943 S 7/2012 Walsh et al.
 8,353,304 B2 1/2013 Smith
 8,418,882 B2 4/2013 Stern
 8,499,770 B2 8/2013 Smith
 8,505,554 B2 8/2013 Smith
 8,550,095 B2 10/2013 Glenn, Jr.
 8,573,232 B2 11/2013 Glenn, Jr.
 8,701,683 B2 4/2014 Glenn, Jr.
 D708,850 S * 7/2014 Morine D3/294
 8,826,920 B2 9/2014 Baker
 8,826,921 B2 9/2014 Smith
 8,997,760 B2 4/2015 Glenn, Jr.
 D731,793 S * 6/2015 Houghton D3/294
 D744,698 S 12/2015 Kalyanpur et al.
 D782,110 S * 3/2017 Coffindaffer D28/7
 D848,059 S * 5/2019 Vennemeyer D28/7

D869,273 S 12/2019 Kim et al.
 D912,891 S * 3/2021 Vennemeyer D28/7
 2003/0010351 A1 1/2003 De Laforcade
 2006/0207036 A1 9/2006 Kennedy
 2008/0087293 A1 4/2008 Glenn
 2008/0099038 A1 * 5/2008 Washington A45D 33/24
 132/300
 2009/0223531 A1 9/2009 Lund
 2010/0101595 A1 4/2010 Glenn, Jr.
 2013/0153461 A1 6/2013 Hein
 2014/0026918 A1 1/2014 Glenn, Jr.
 2014/0048095 A1 2/2014 Curry
 2015/0296953 A1 10/2015 Murdock

OTHER PUBLICATIONS

All final and non-final office actions for U.S. Appl. No. 29/667,072.
 All final and non-final office actions for U.S. Appl. No. 29/731,976.
 All final and non-final office actions for U.S. Appl. No. 29/488,686.

* cited by examiner

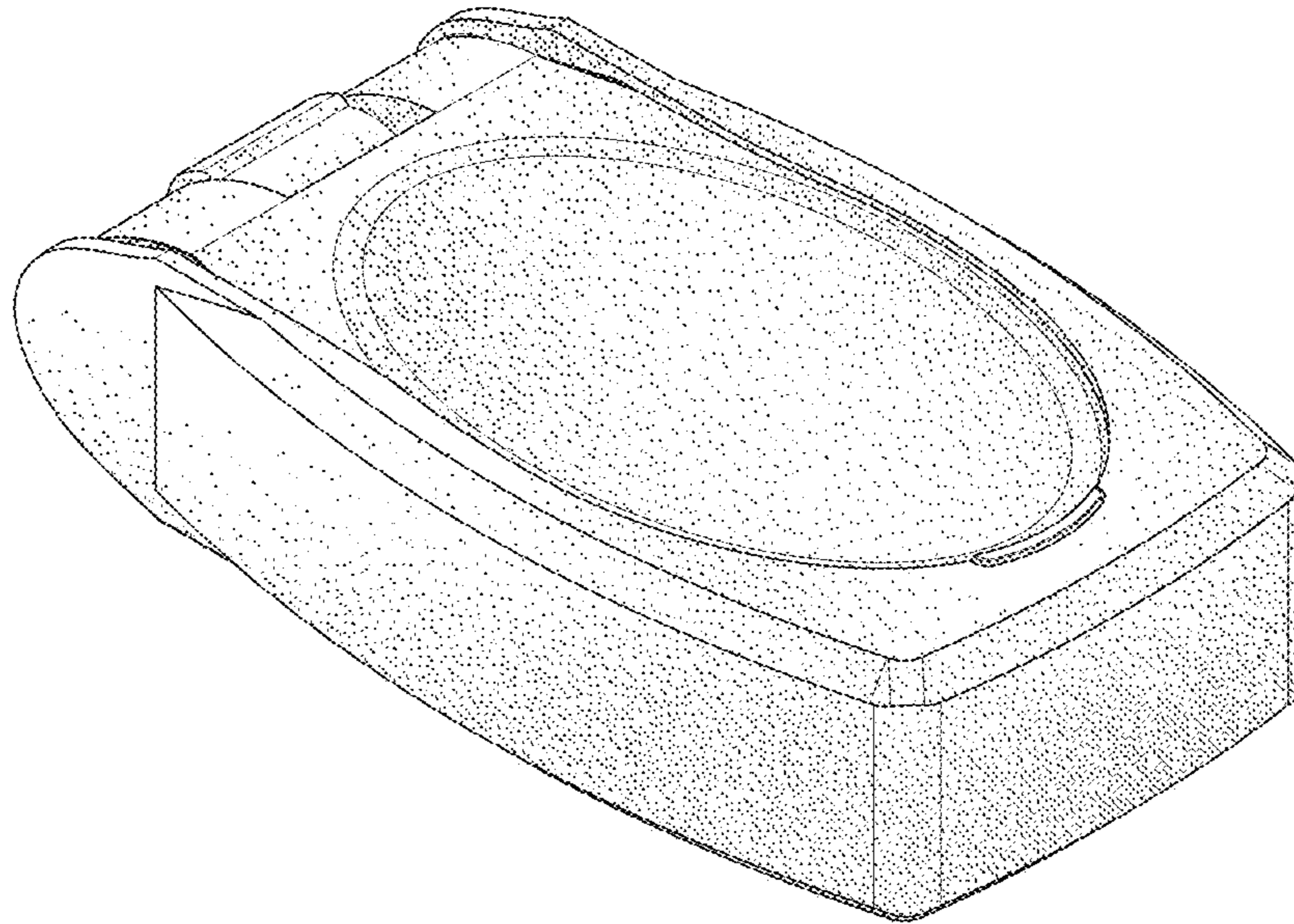


FIG. 1

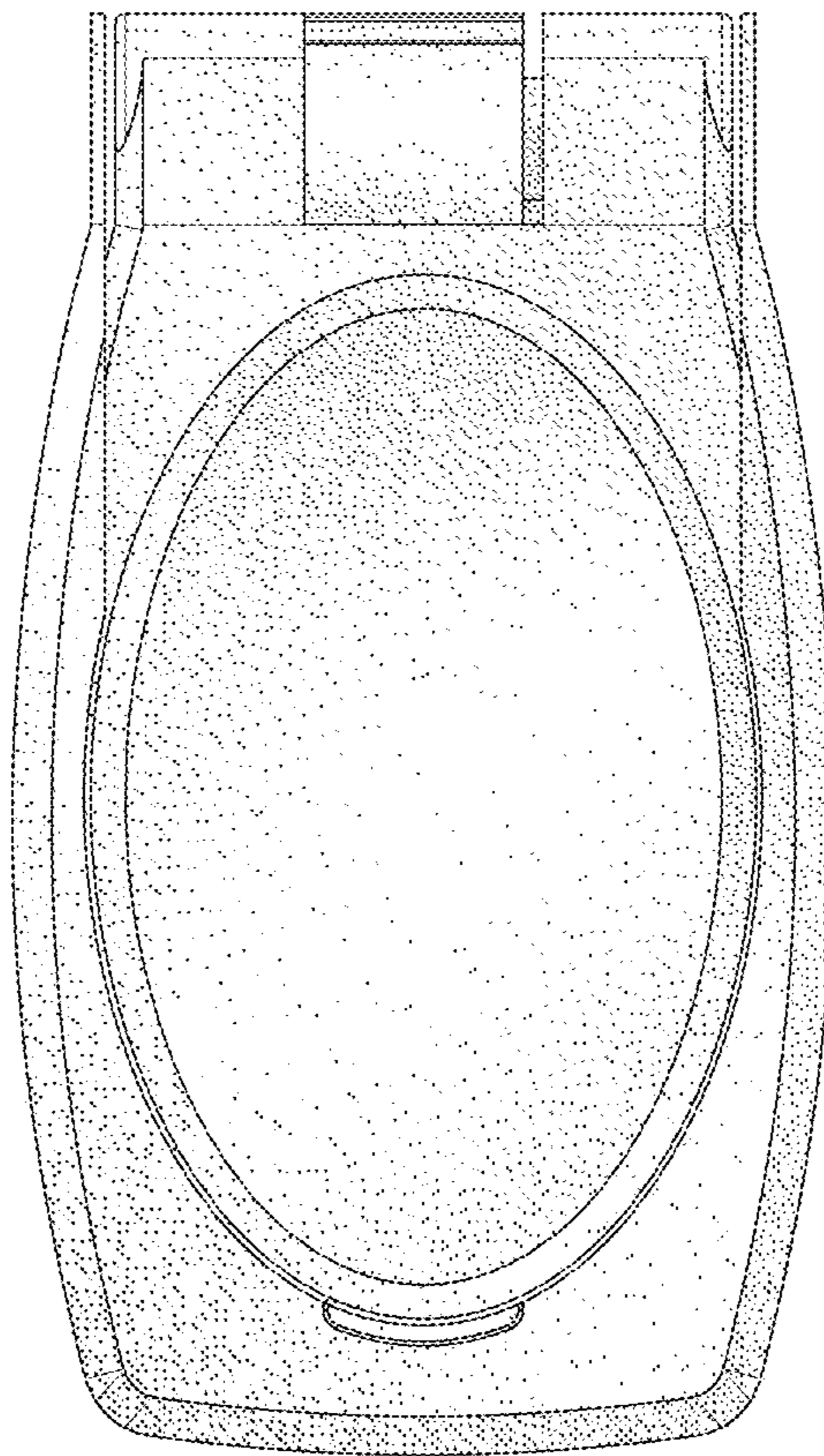


FIG. 2

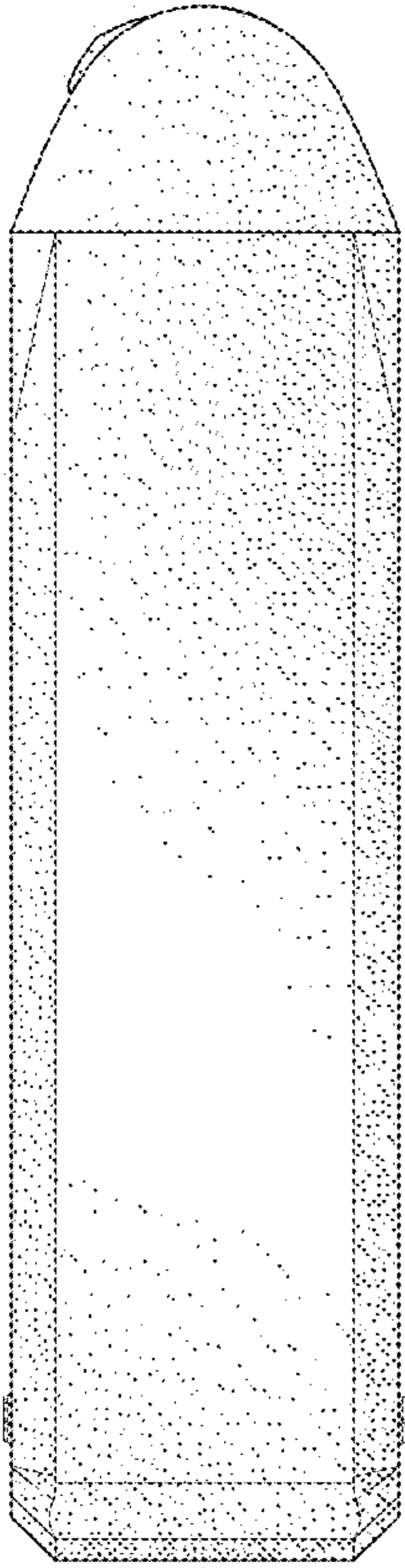


FIG. 3

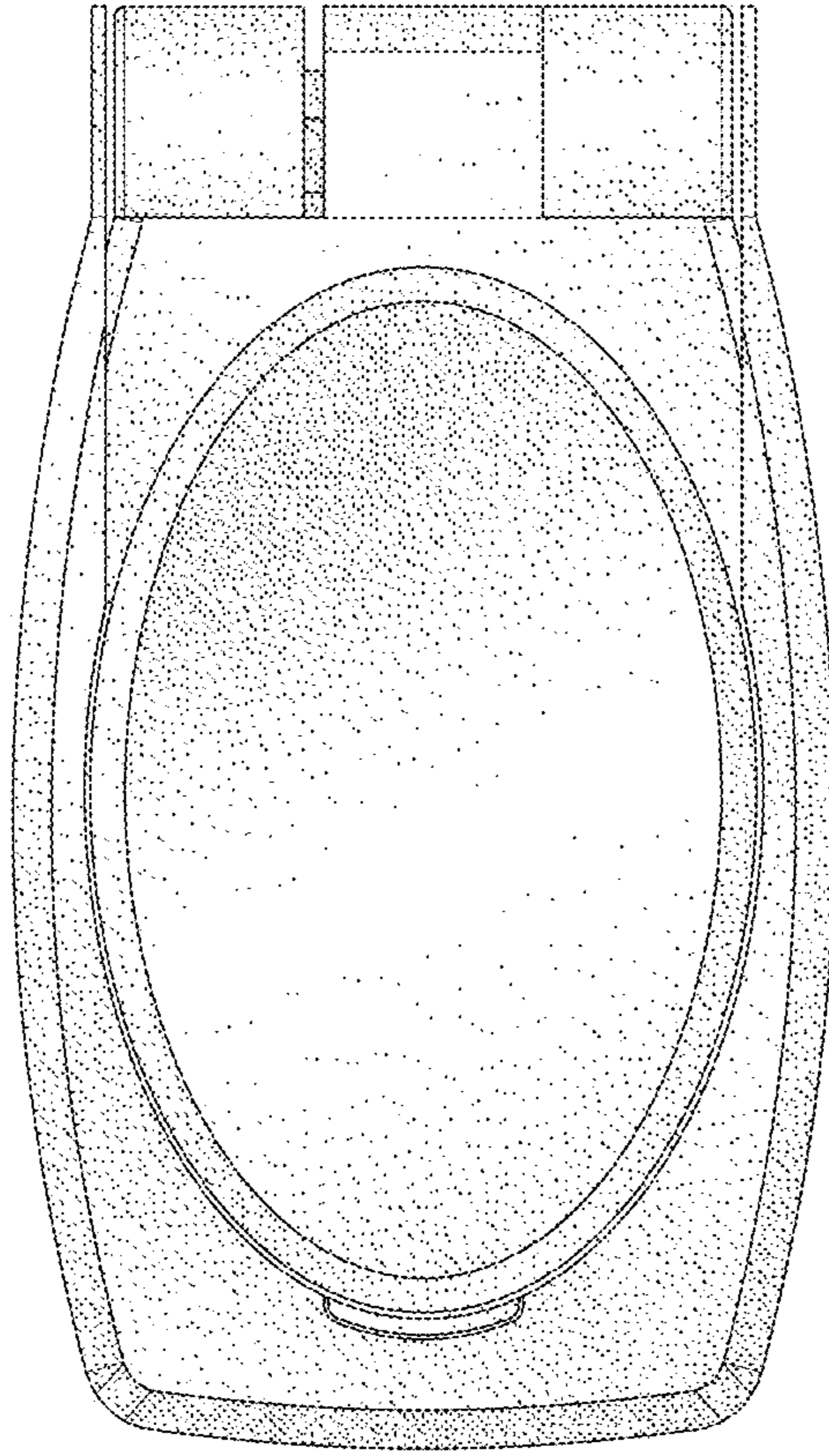


FIG. 4

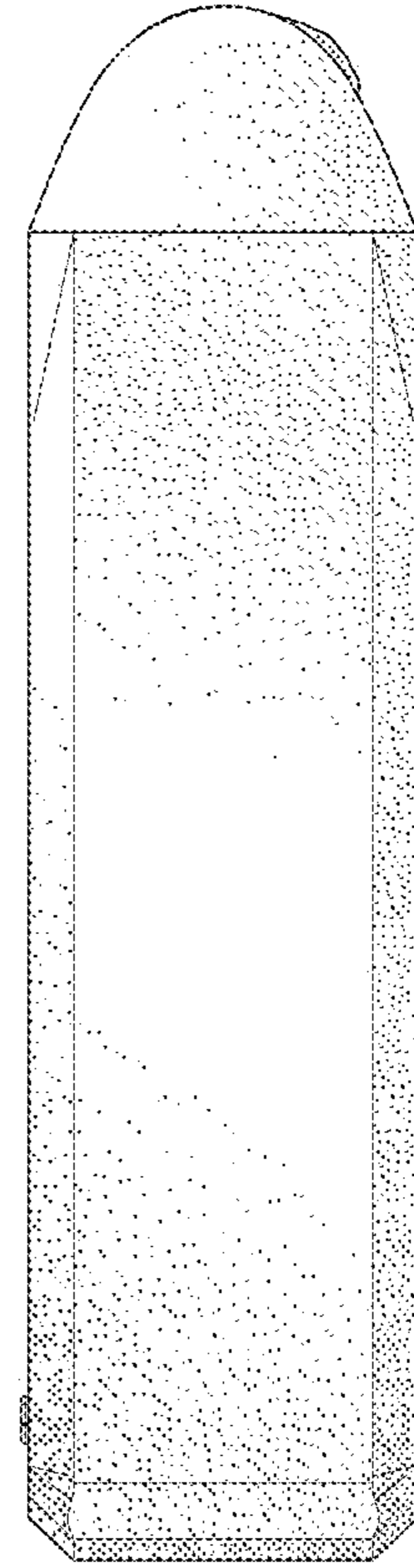


FIG. 5

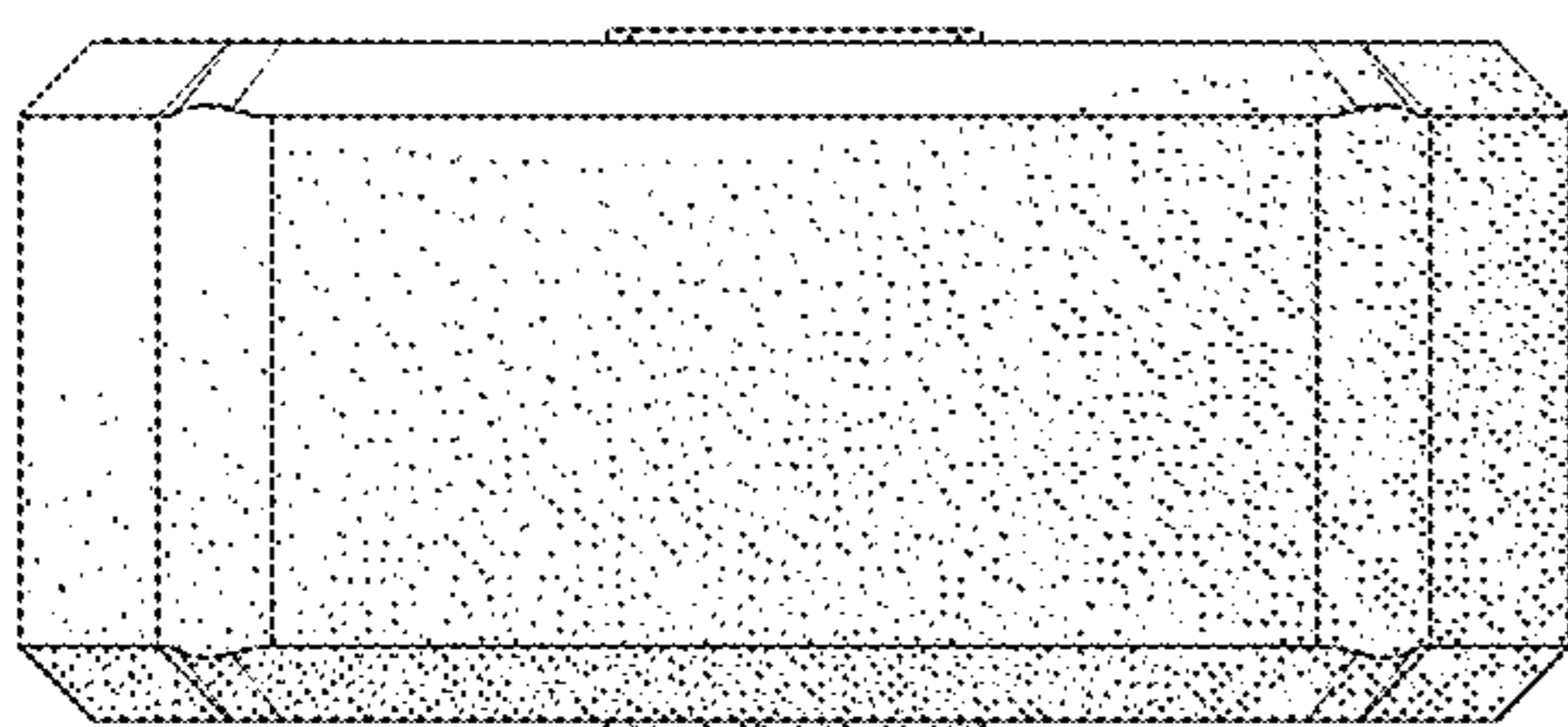


FIG. 6

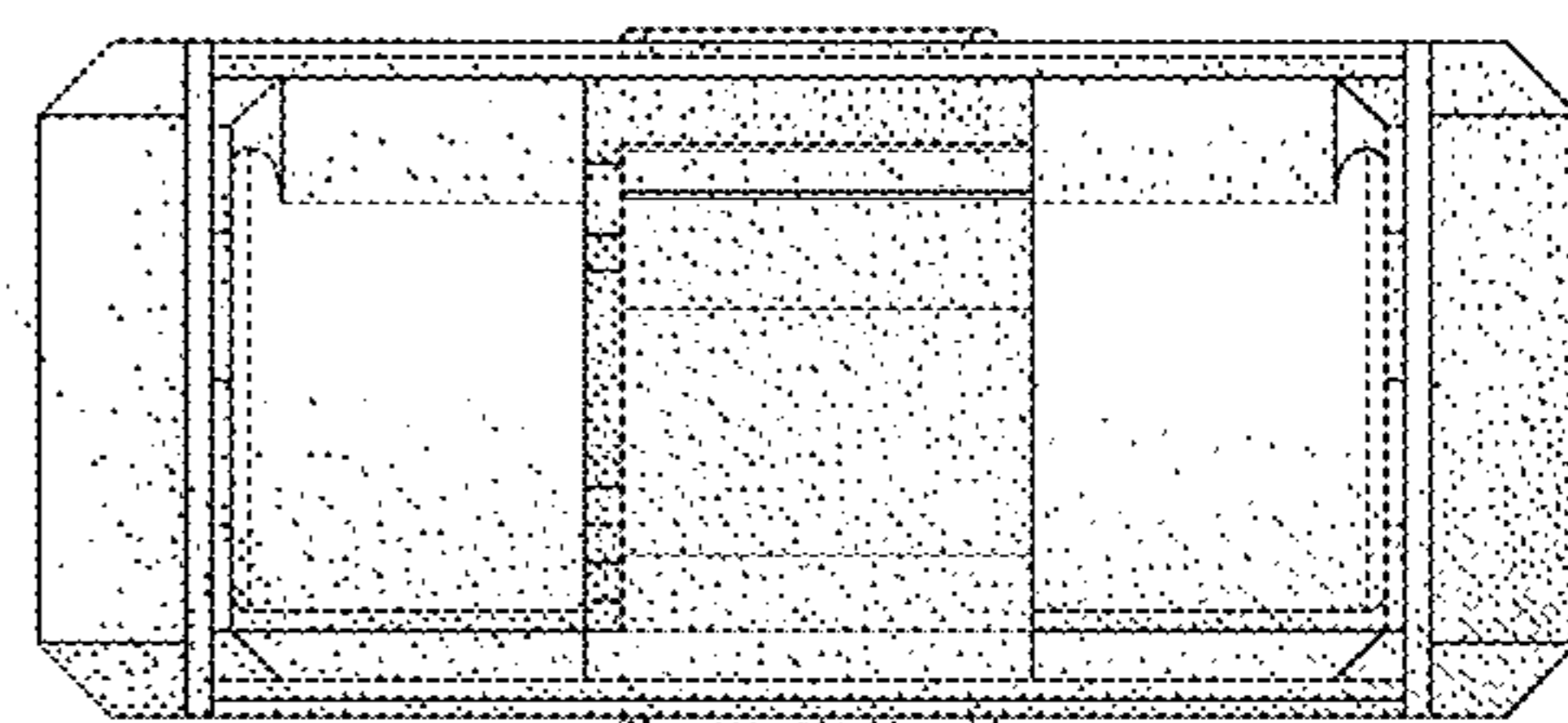


FIG. 7