



US00D943825S

(12) **United States Design Patent** (10) **Patent No.:** **US D943,825 S**
Vennemeyer et al. (45) **Date of Patent:** **** Feb. 15, 2022**

(54) **COSMETIC APPLICATOR**
(71) Applicant: **The Procter & Gamble Company**,
Cincinnati, OH (US)
(72) Inventors: **Marilyn Anne Vennemeyer**, Cincinnati,
OH (US); **James Douglas Still**, Cleves,
OH (US); **William Dale Murdock**,
Cheviot, OH (US); **Mikah Coffindaffer**,
Mason, OH (US); **Kendrick Jon**
Hughes, Cincinnati, OH (US);
Christopher Paul Turner, Parker, CO
(US)

D455,235 S * 4/2002 Braaten D28/78
D457,986 S 5/2002 Rodriguez et al.
D503,831 S * 4/2005 Ames D28/78
7,156,885 B2 1/2007 Kennedy
D599,958 S * 9/2009 Washington D28/82
D600,855 S * 9/2009 Krohn D28/83
D629,201 S * 12/2010 Demarco D28/83
8,091,559 B2 1/2012 Lund
8,132,570 B2 3/2012 Glenn, Jr.
8,132,574 B2 3/2012 Baker
8,186,363 B2 5/2012 Smith
D663,943 S 7/2012 Walsh et al.

(Continued)

OTHER PUBLICATIONS

(73) Assignee: **The Procter and Gamble Company**,
Cincinnati, OH (US)

All final and non-final office actions for U.S. Appl. No. 29/567,379.
(Continued)

(**) Term: **15 Years**

Primary Examiner — April Rivas

(21) Appl. No.: **29/731,976**

(74) *Attorney, Agent, or Firm* — Linda M. Sivik

(22) Filed: **Apr. 20, 2020**

(57) **CLAIM**

The ornamental design for a cosmetic applicator, as shown
and described.

Related U.S. Application Data

DESCRIPTION

(62) Division of application No. 29/667,072, filed on Oct.
18, 2018, now Pat. No. Des. 912,891.

(51) **LOC (13) Cl.** **28-03**

(52) **U.S. Cl.**
USPC **D28/7; D28/78**

(58) **Field of Classification Search**
USPC D28/7, 77, 78, 82, 83
CPC A45D 40/22; A45D 40/18; A45D 19/16
See application file for complete search history.

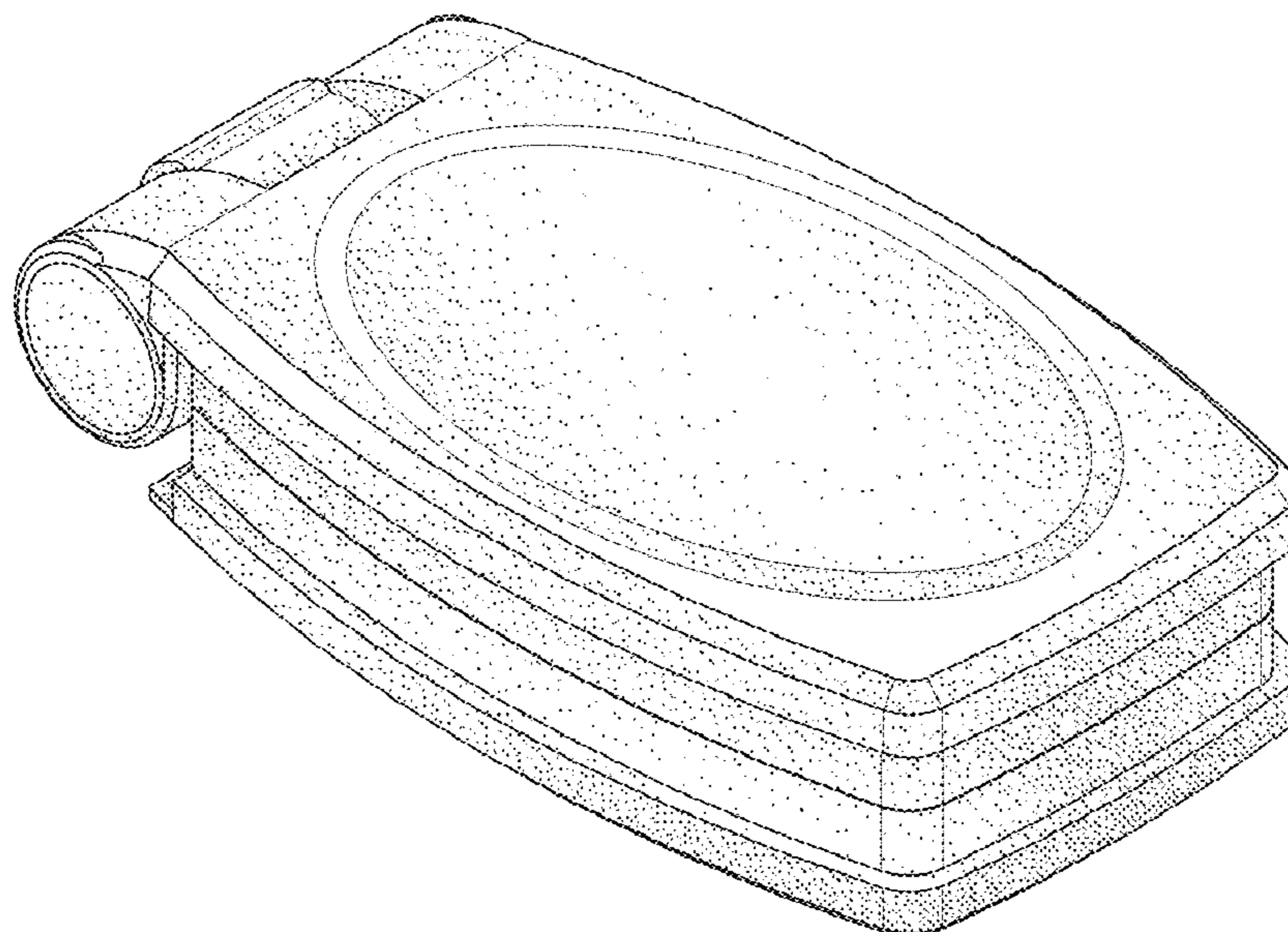
FIG. 1 is a perspective view of a cosmetic applicator,
embodying our new design;
FIG. 2 is a front view of the cosmetic applicator of FIG. 1;
FIG. 3 is a right side view of the cosmetic container of FIG.
1;
FIG. 4 is a back view of the cosmetic applicator of FIG. 1;
FIG. 5 is a left side view of the cosmetic container of FIG.
1;
FIG. 6 is a top view of the cosmetic applicator of FIG. 1;
and,
FIG. 7 is a bottom view of the cosmetic applicator of FIG.
1.

(56) **References Cited**

U.S. PATENT DOCUMENTS

D122,007 S 8/1940 Bottham
D350,836 S 9/1994 Chevassus
D439,019 S * 3/2001 Motosko D28/76

1 Claim, 2 Drawing Sheets



(56)

References Cited

U.S. PATENT DOCUMENTS

8,353,304	B2	1/2013	Smith	
8,418,882	B2	4/2013	Stern	
8,499,770	B2	8/2013	Smith	
8,505,554	B2	8/2013	Smith	
8,550,095	B2	10/2013	Glenn, Jr.	
8,573,232	B2	11/2013	Glenn, Jr.	
8,701,683	B2	4/2014	Glenn, Jr.	
D708,850	S *	7/2014	Morine D3/294
8,826,920	B2	9/2014	Baker	
8,826,921	B2	9/2014	Smith	
8,997,760	B2	4/2015	Glenn, Jr.	
D731,793	S *	6/2015	Houghton D3/294
D744,698	S	12/2015	Kalyanpur et al.	
D782,110	S *	3/2017	Coffindaffer D28/7
D848,059	S *	5/2019	Vennemeyer D28/7
D869,273	S	12/2019	Kim et al.	
D912,891	S *	3/2021	Vennemeyer D28/7
2003/0010351	A1	1/2003	De	
2006/0207036	A1	9/2006	Kennedy	
2008/0087293	A1	4/2008	Glenn	
2008/0099038	A1 *	5/2008	Washington A45D 33/24 132/300
2009/0223531	A1	9/2009	Lund	
2010/0101595	A1	4/2010	Glenn, Jr.	
2013/0153461	A1	6/2013	Hein	
2014/0026918	A1	1/2014	Glenn, Jr.	
2014/0048095	A1	2/2014	Curry	
2015/0296953	A1	10/2015	Murdock	

OTHER PUBLICATIONS

All final and non-final office actions for U.S. Appl. No. 29/667,072.
 All final and non-final office actions for U.S. Appl. No. 29/731,978.
 All final and non-final office actions for U.S. Appl. No. 29/488,686.

* cited by examiner

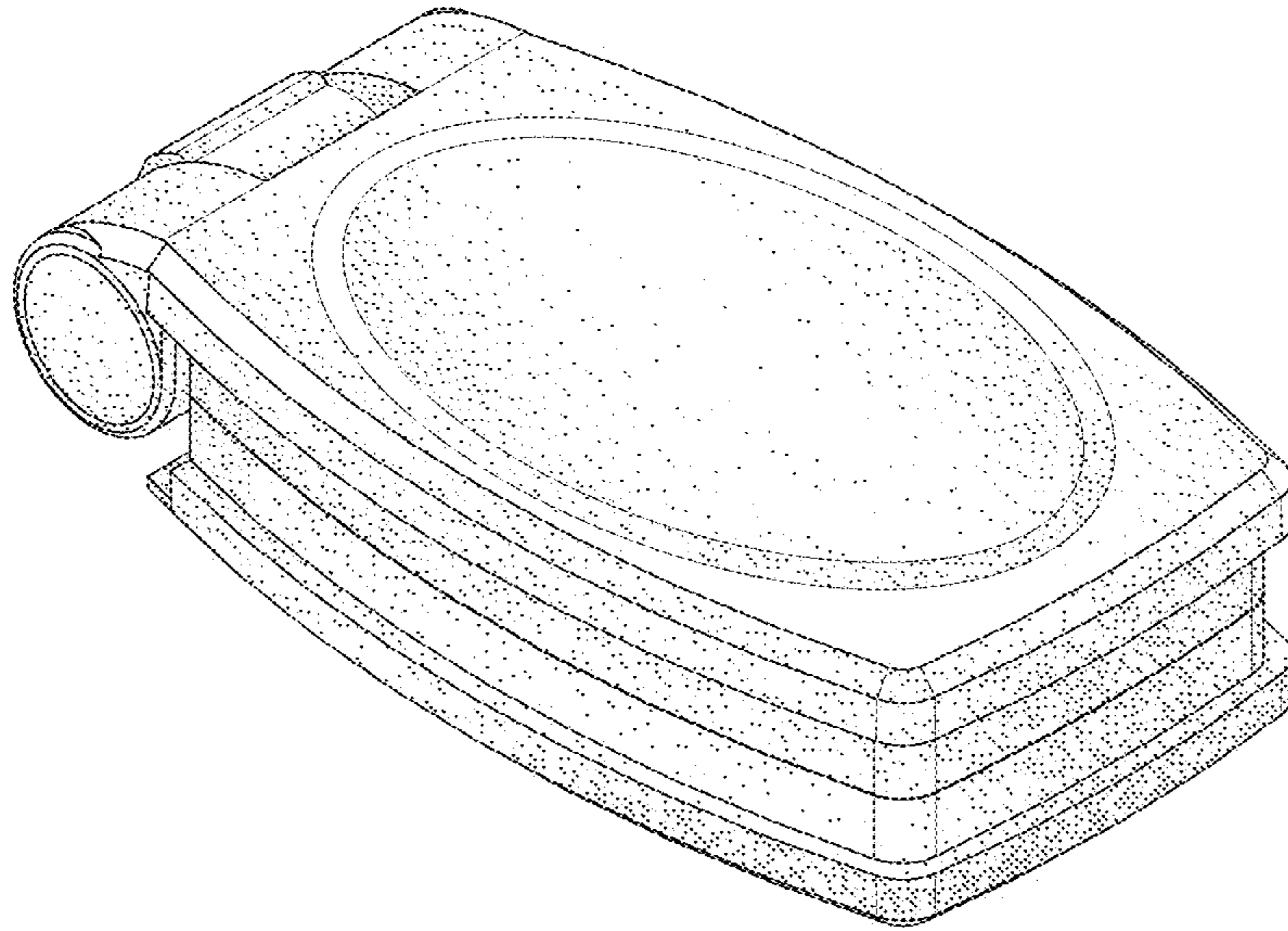


FIG. 1

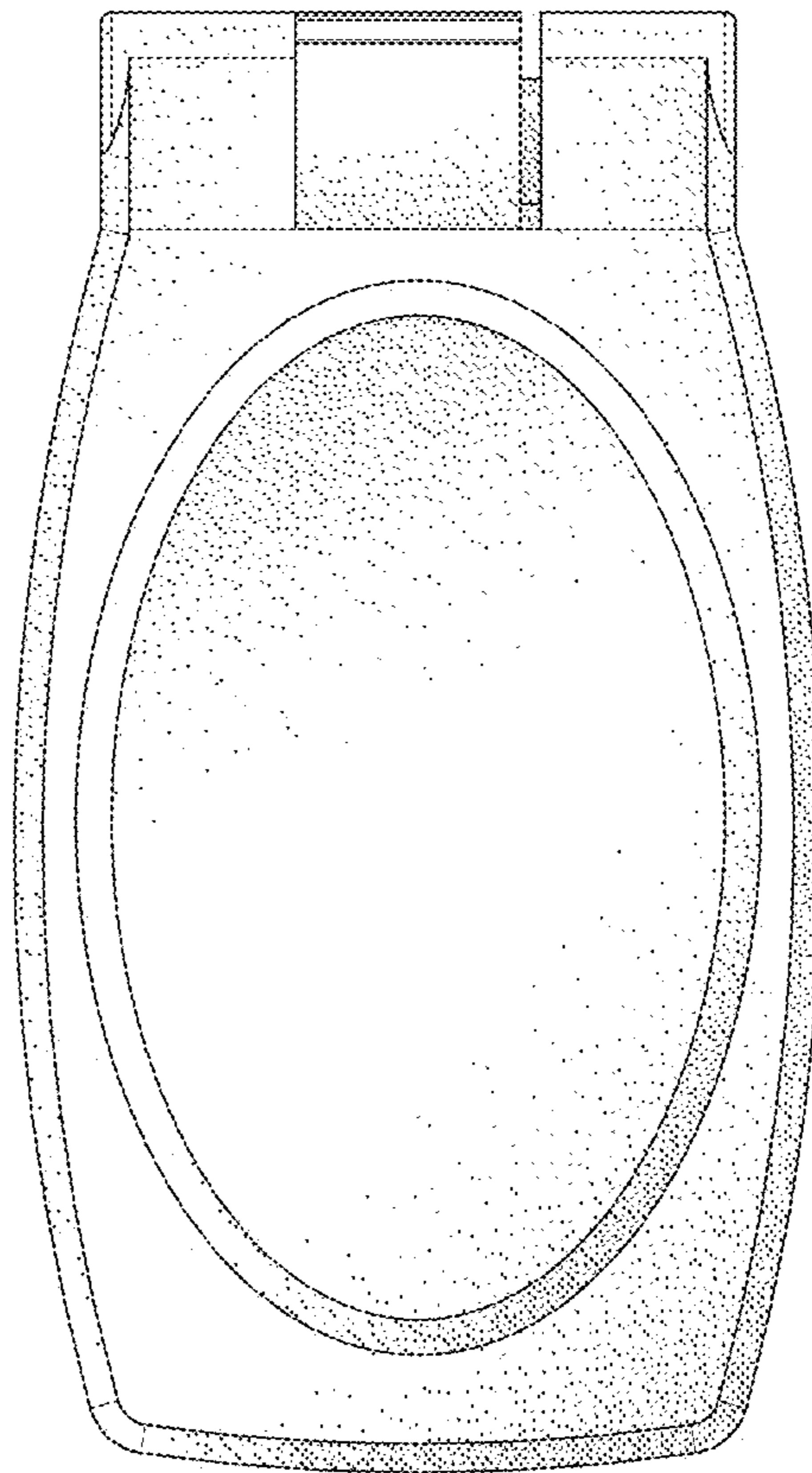


FIG. 2

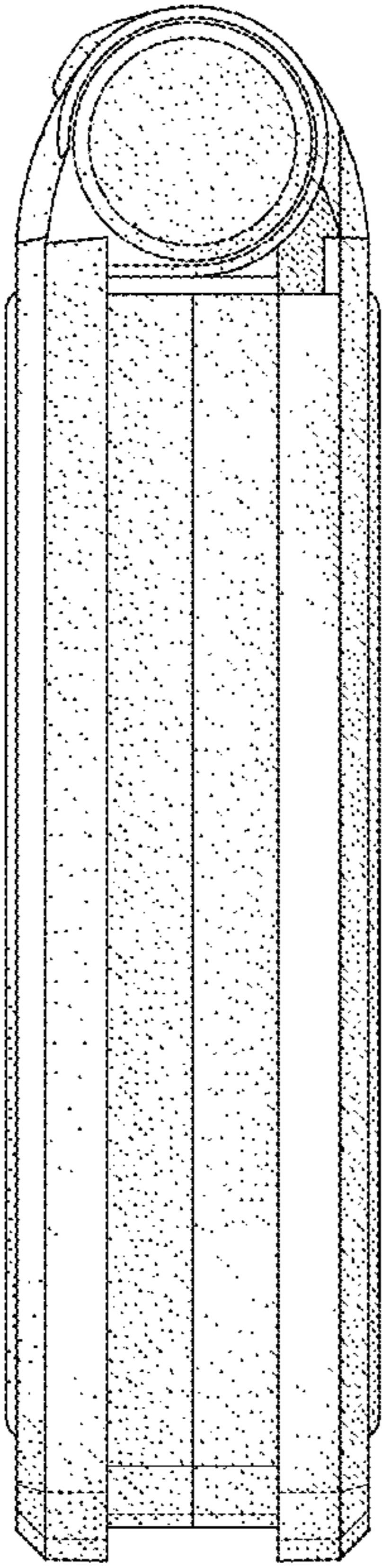


FIG. 3

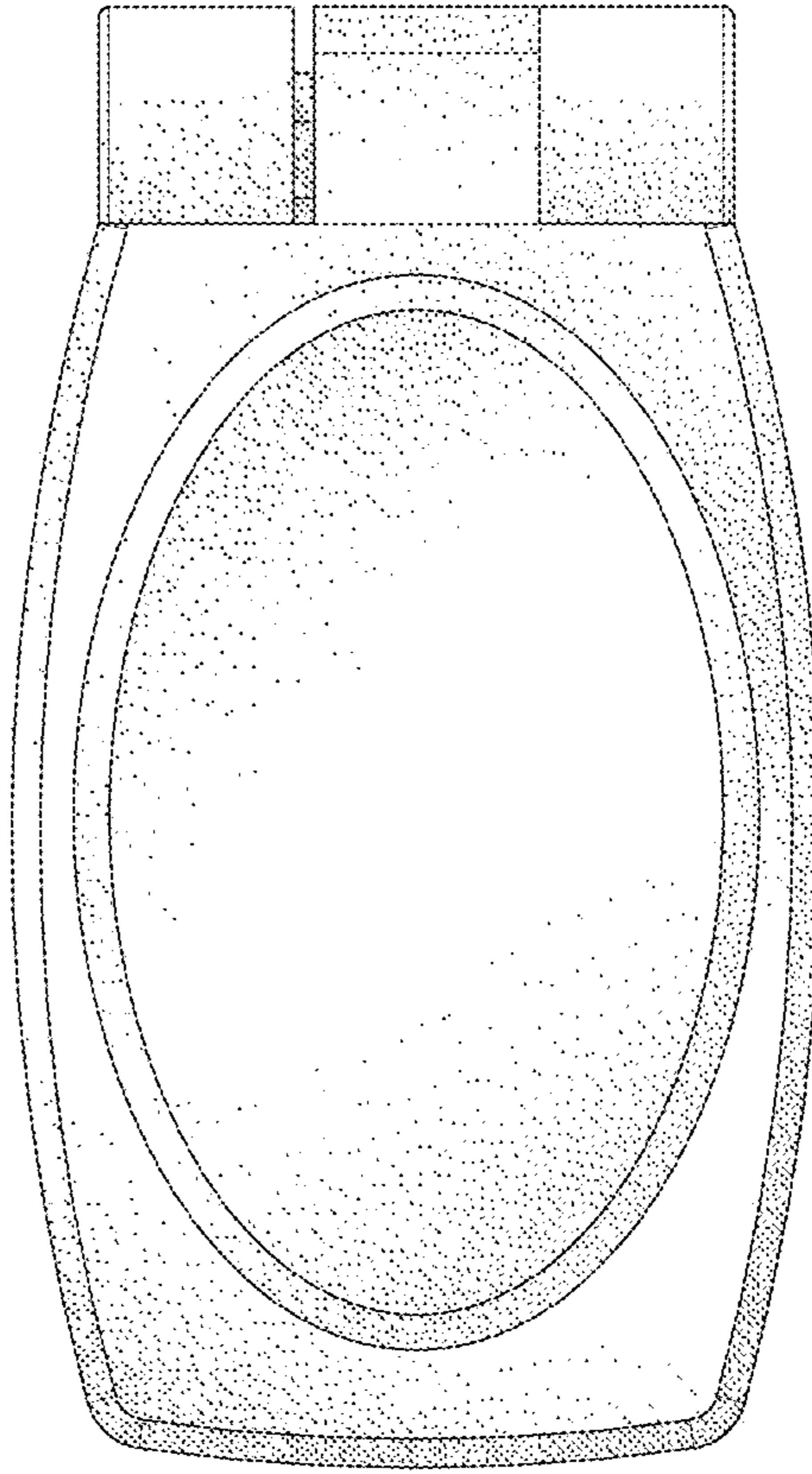


FIG. 4

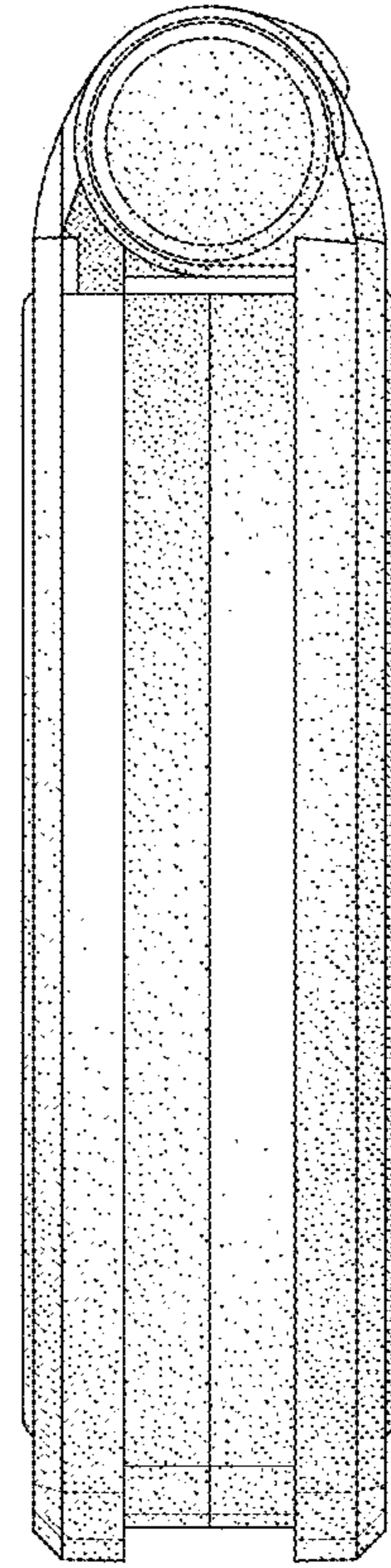


FIG. 5

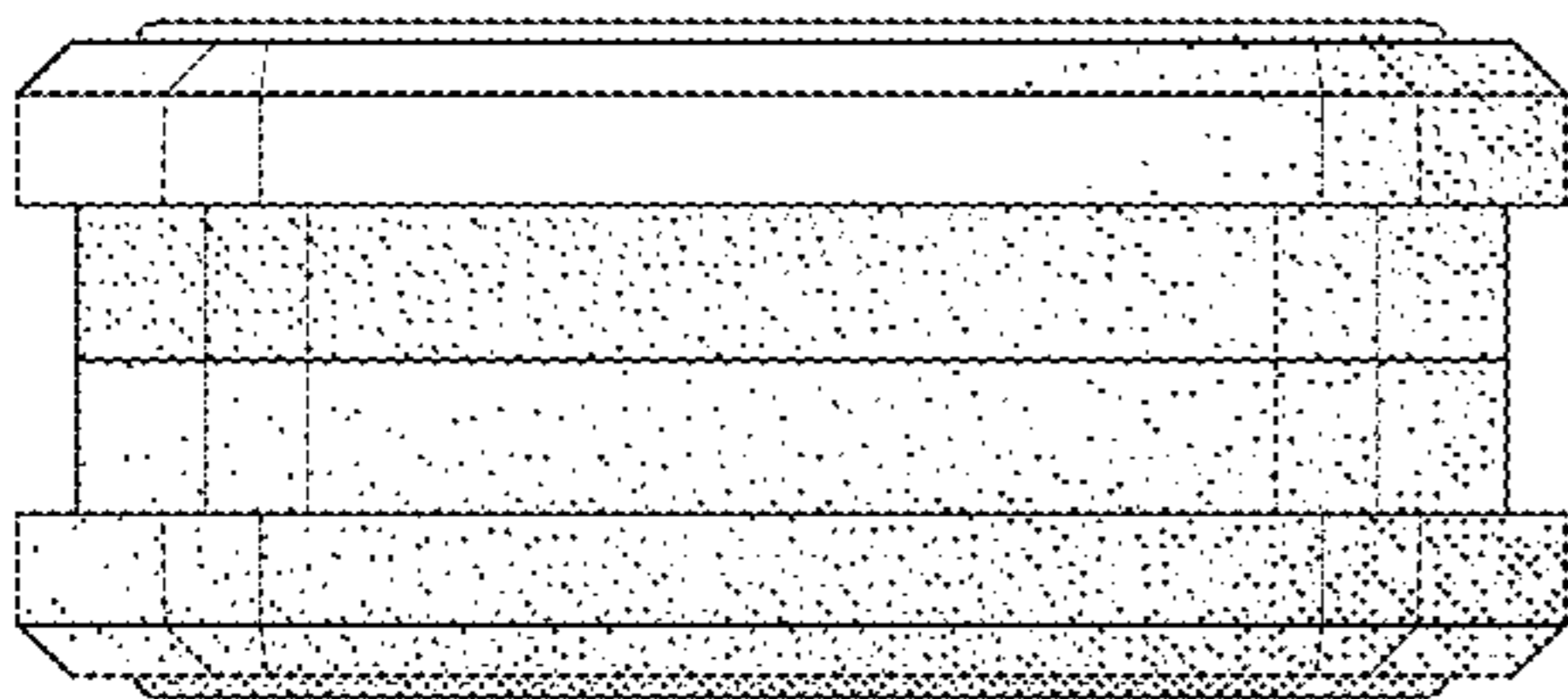


FIG. 6

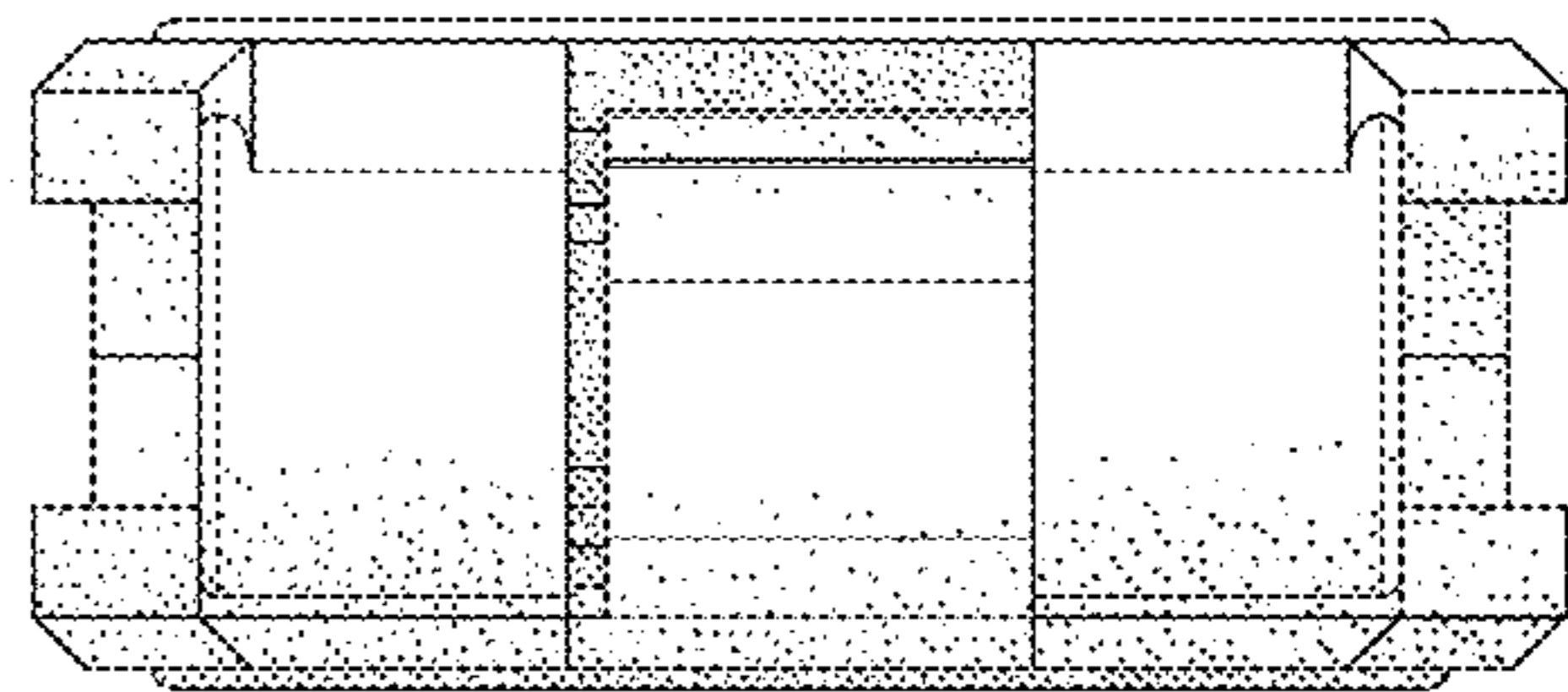


FIG. 7