



US00D943824S

(12) **United States Design Patent** (10) **Patent No.:** **US D943,824 S**
Murphy (45) **Date of Patent:** **** Feb. 15, 2022**

(54) **LIQUID DERMATOLOGICAL AGENT DISPENSING DEVICE**

(71) Applicant: **RLM Group Ltd.**, Mt. Kisco, NY (US)

(72) Inventor: **Robert L. Murphy**, Mt. Kisco, NY (US)

(73) Assignee: **RLM GROUP LTD.**, Mt. Kisco, NY (US)

(**) Term: **15 Years**

(21) Appl. No.: **29/626,362**

(22) Filed: **Nov. 16, 2017**

(51) **LOC (13) Cl.** **28-02**

(52) **U.S. Cl.**
USPC **D28/7**

(58) **Field of Classification Search**
USPC D28/7, 4-6, 82, 76, 78, 73; 208/823, 208/828, 277, 438; 132/317, 318
CPC A45D 40/0068; A45D 40/0075; A45D 40/00; A45D 2040/0093; A45D 2040/0006

See application file for complete search history.

(56) **References Cited**

U.S. PATENT DOCUMENTS

D266,311	S *	9/1982	Mattheis	D9/446
4,752,015	A *	6/1988	Schumacher	B65D 47/2018 215/228
5,914,116	A	6/1999	Suares et al.		
6,270,277	B1 *	8/2001	Ogino	A46B 11/0013 401/262
6,457,891	B1	10/2002	Bredacts		
D481,165	S *	10/2003	Angeletta	D28/7
D506,027	S *	6/2005	Angeletta	D28/7
D536,481	S *	2/2007	Angeletta	D28/7
7,226,227	B2	6/2007	Gueret		
D582,603	S *	12/2008	Dibnah	D28/7

7,686,528	B2	3/2010	Gueret		
7,743,775	B2	6/2010	Thiebaut		
7,845,871	B2	12/2010	Thiebaut		
8,123,426	B2	2/2012	Byun		
D698,078	S *	1/2014	Purizhansky	D28/7
9,096,352	B2 *	8/2015	Murphy	B65D 35/44
9,296,525	B2 *	3/2016	Murphy	B65D 35/44
D764,106	S *	8/2016	Teller	D28/82
D786,498	S *	5/2017	Medioni	D28/7
10,117,497	B1 *	11/2018	Murphy	A45D 34/00
D852,647	S *	7/2019	Burditt	D9/746
10,758,023	B1 *	9/2020	Cha	A45D 33/003
D923,875	S *	6/2021	Cha	D28/76
2004/0069677	A1 *	4/2004	Baudin	A45D 40/0068 206/581
2004/0190974	A1	9/2004	Cantone et al.		
2004/0234321	A1	11/2004	Breidenbach et al.		

(Continued)

Primary Examiner — Rebecca Tshaye

(74) *Attorney, Agent, or Firm* — K&L Gates LLP

(57) **CLAIM**

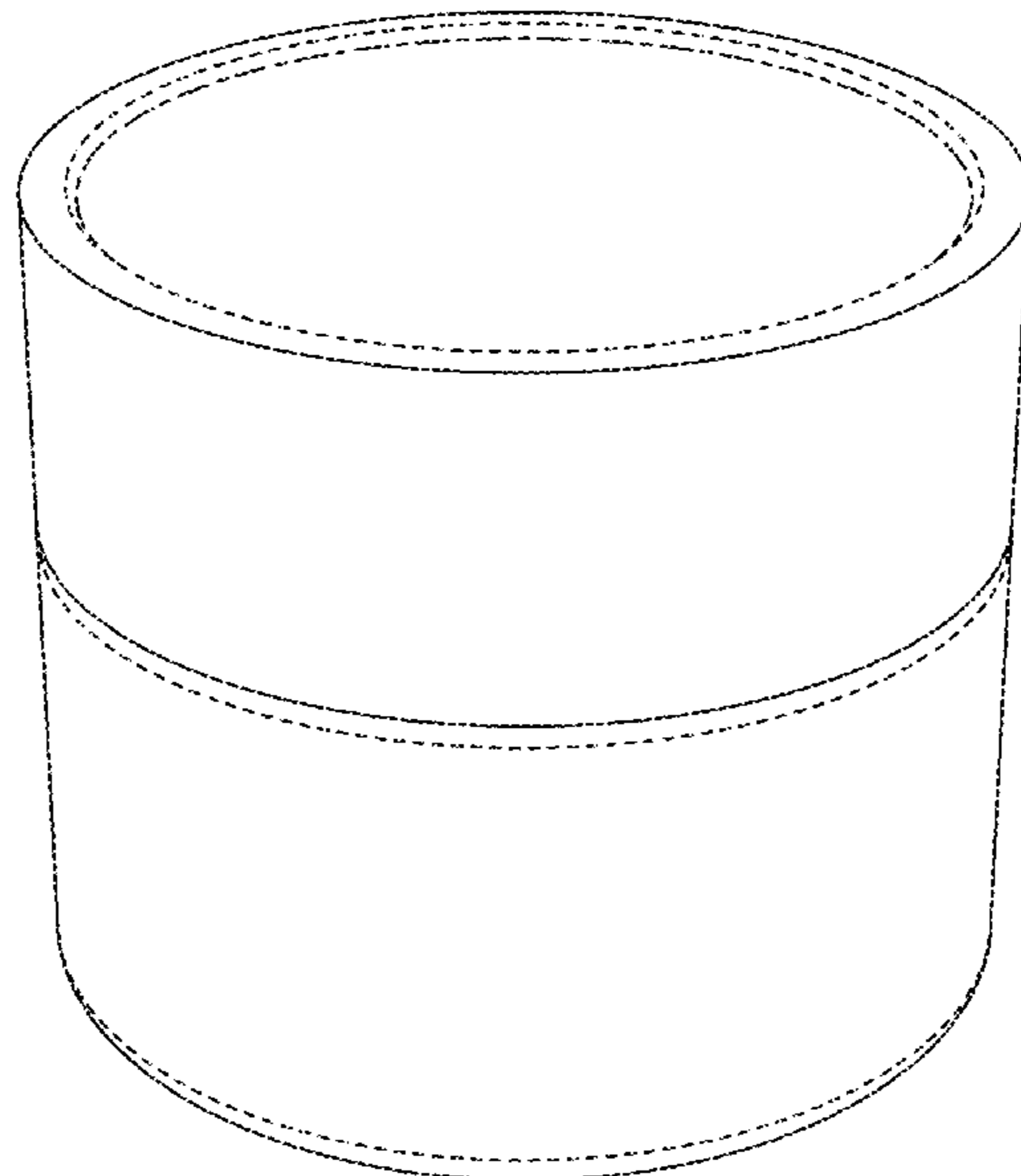
The ornamental design for a liquid dermatological agent dispensing device, as shown and described.

DESCRIPTION

FIG. 1 is a front elevation view of a liquid dermatological agent dispensing device showing my new design; FIG. 2 is a top plan view thereof; FIG. 3 is a bottom plan view thereof; FIG. 4 is a front perspective view thereof; FIG. 5 is a first partial front exploded perspective view thereof; and, FIG. 6 is a second partial front exploded perspective view thereof.

In the drawings, the evenly spaced broken lines depict parts of the liquid dermatological agent dispensing device that form no part of the claimed design. The dash-dot-dash broken lines depict the boundary of the claimed invention and form no part thereof.

1 Claim, 6 Drawing Sheets



(56)

References Cited

U.S. PATENT DOCUMENTS

2011/0210039 A1 9/2011 Alongi et al.
2016/0011965 A1* 1/2016 Murphy G06F 12/0246
711/103
2017/0202342 A1* 7/2017 Won A45D 40/24
2019/0075908 A1* 3/2019 Schlatter A45D 34/04

* cited by examiner

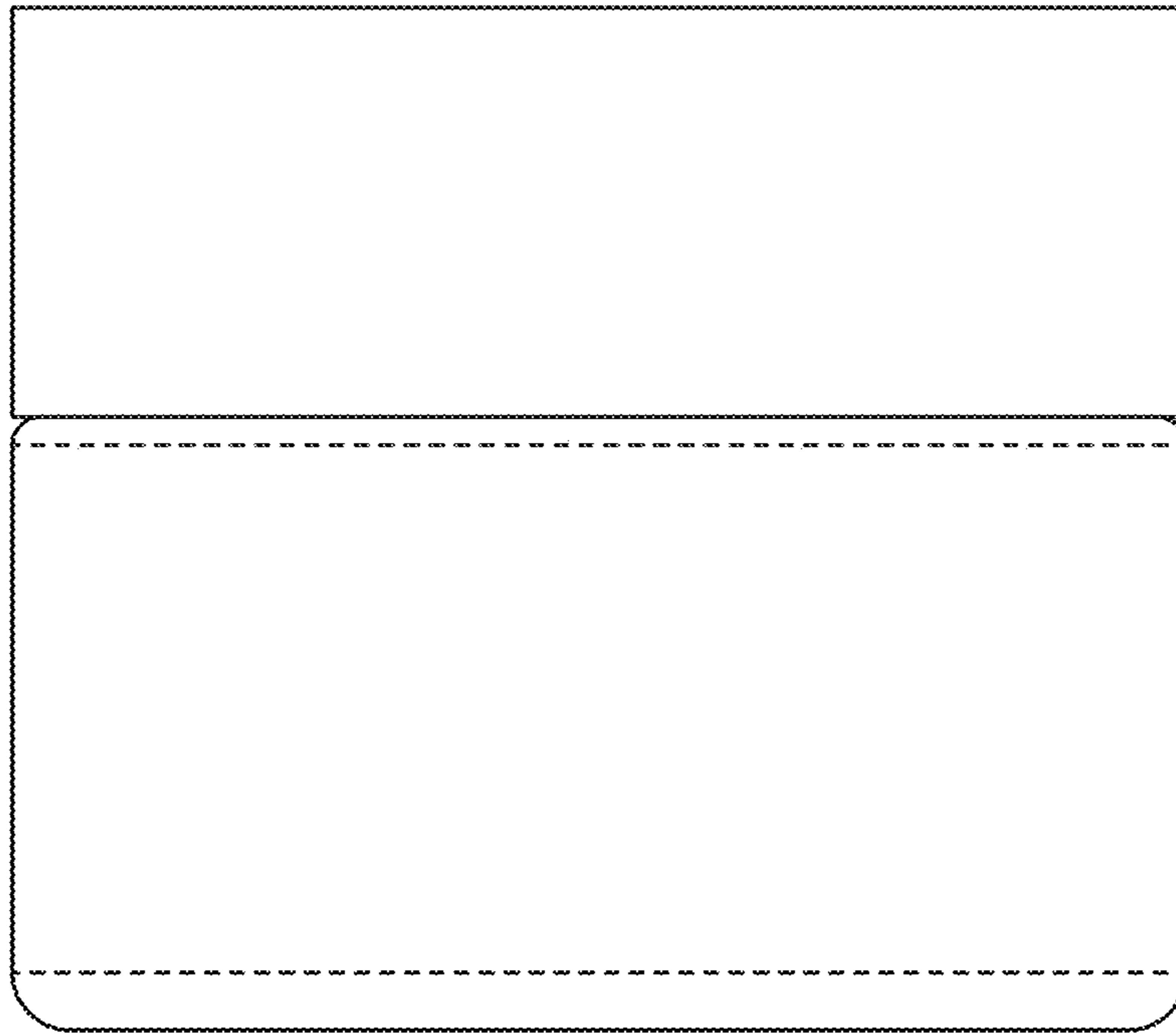


FIG. 1

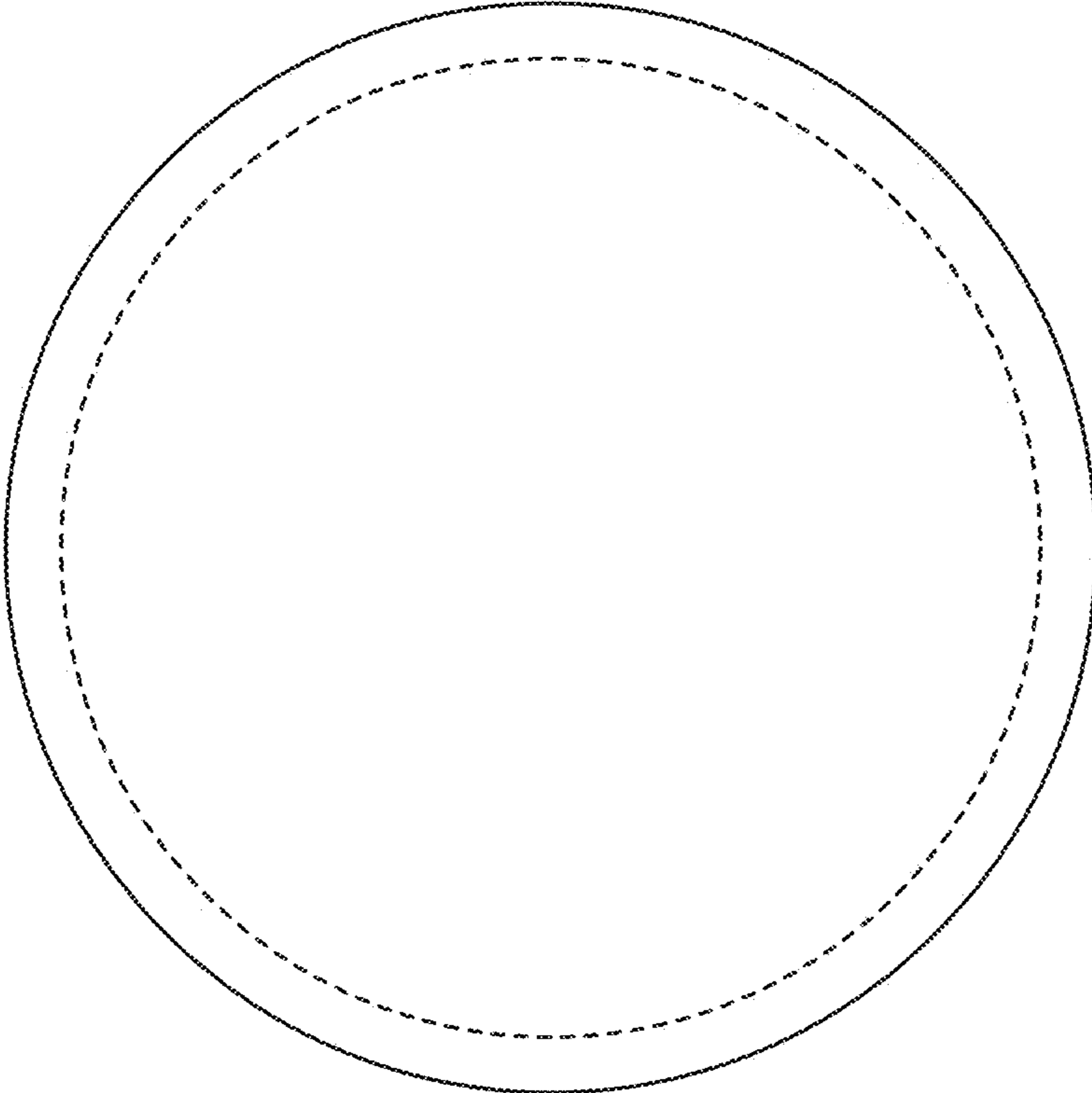


FIG. 2

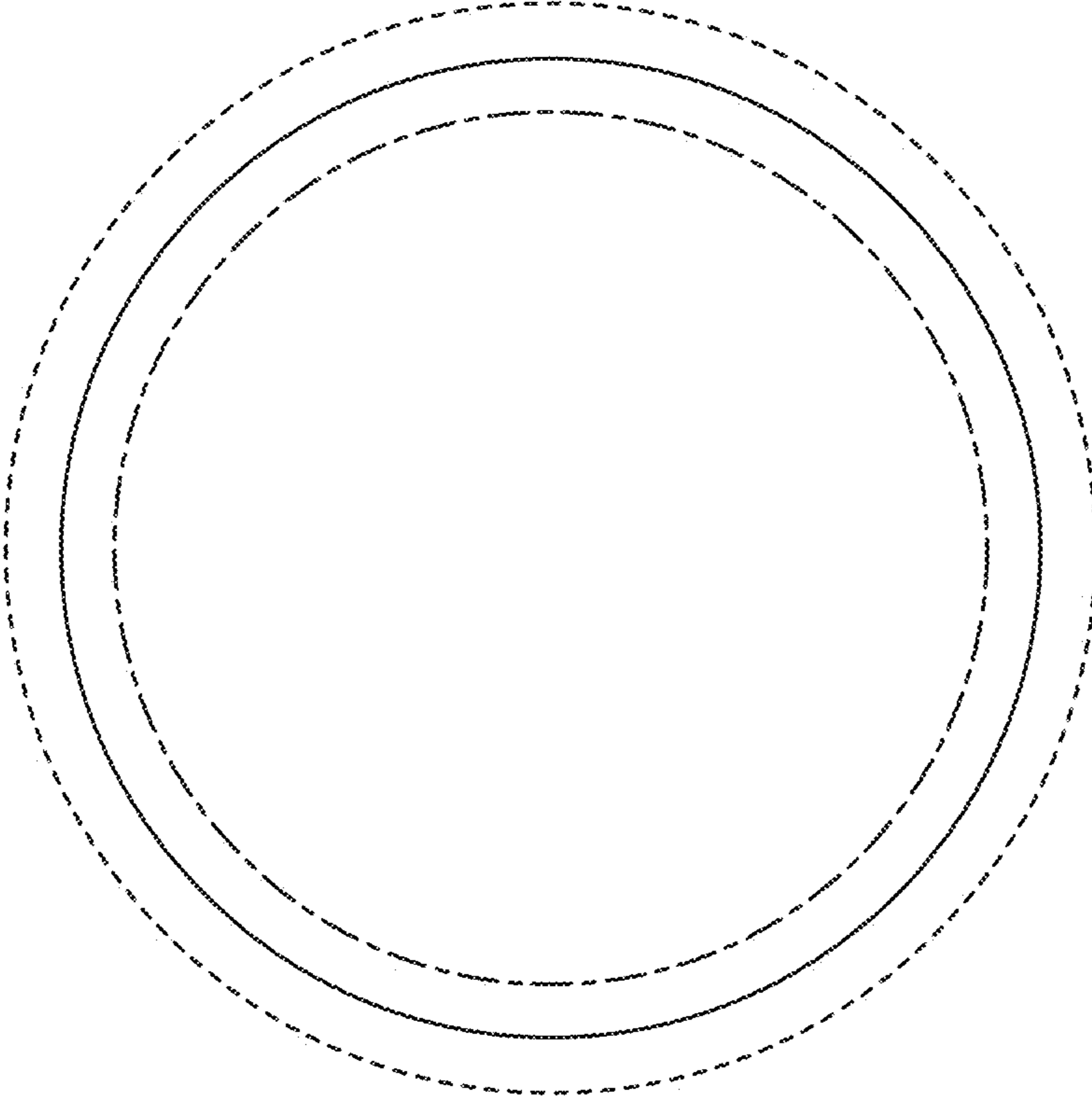


FIG. 3

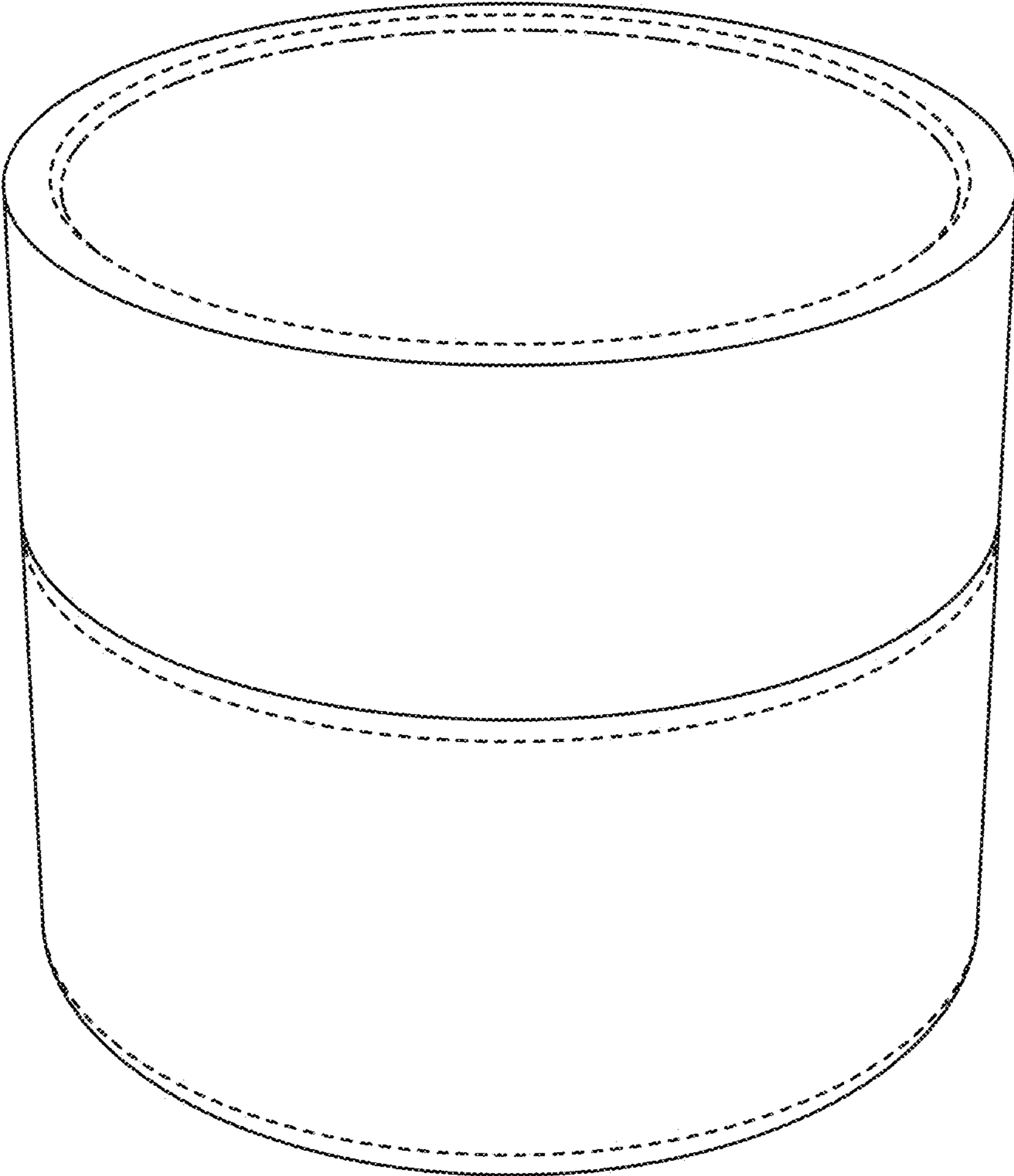


FIG. 4

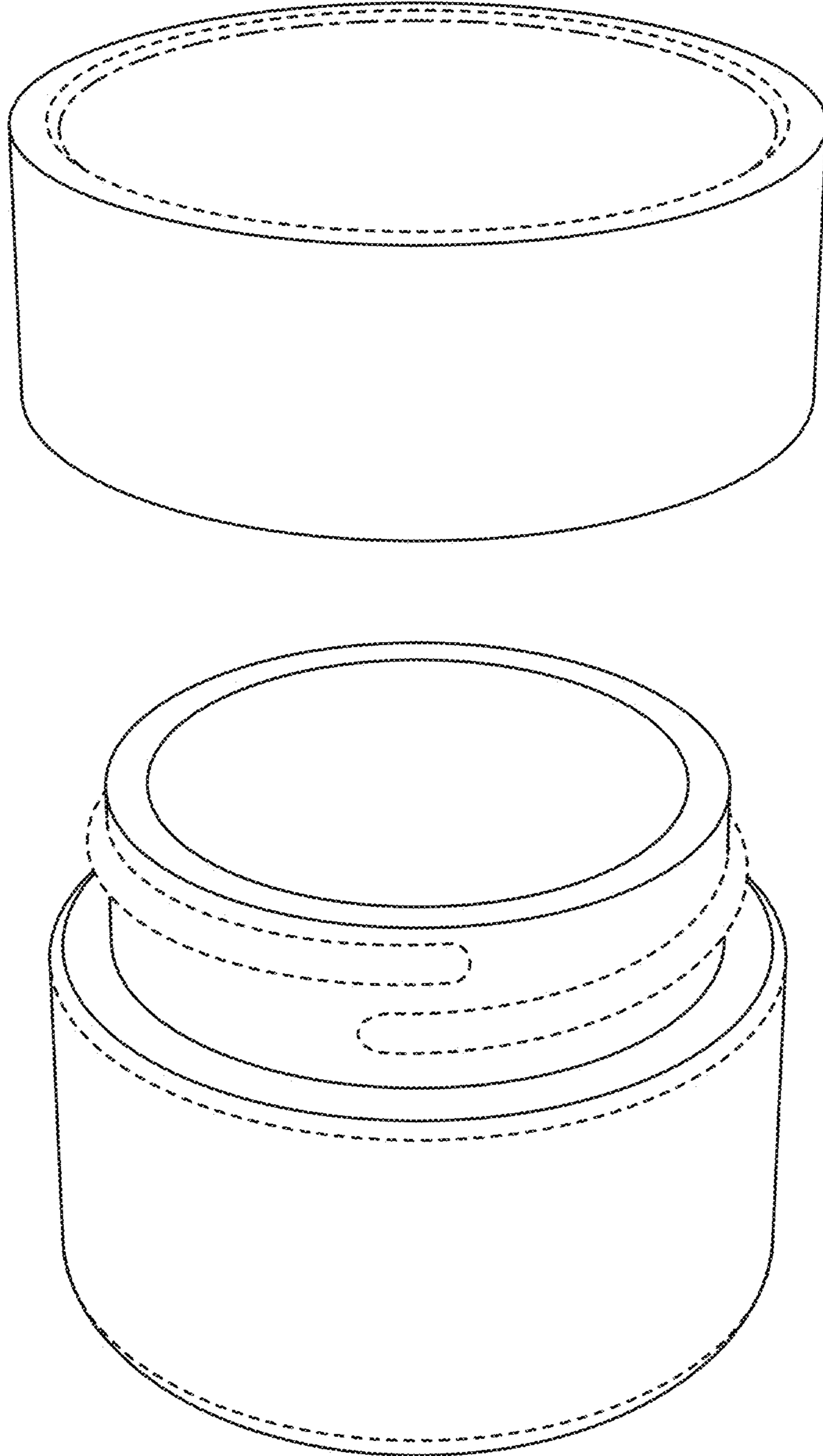


FIG. 5

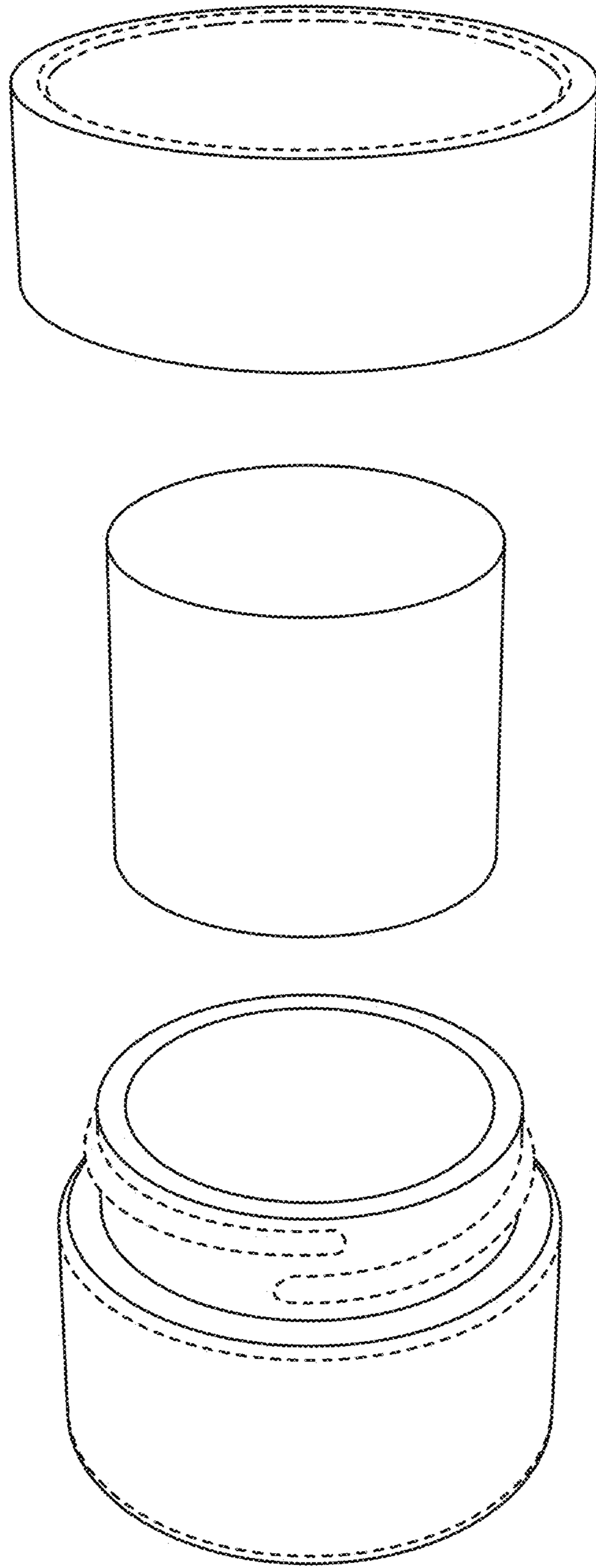


FIG. 6