

US00D943823S

(12) **United States Design Patent**  
**Yang**

(10) **Patent No.:** **US D943,823 S**

(45) **Date of Patent:** **\*\* Feb. 15, 2022**

(54) **CIGAR HUMIDOR**

(71) Applicant: **Li Yang**, GuiZhou Province (CN)

(72) Inventor: **Li Yang**, GuiZhou Province (CN)

(\*\*) Term: **15 Years**

(21) Appl. No.: **29/778,339**

(22) Filed: **Apr. 13, 2021**

(51) **LOC (13) Cl.** ..... **27-06**

(52) **U.S. Cl.**  
USPC ..... **D27/189**

(58) **Field of Classification Search**  
USPC ..... D27/127, 186-189, 183, 172; D3/295,  
D3/294, 201, 203.1, 205, 211  
CPC ..... A24F 25/02; A24F 25/00  
See application file for complete search history.

(56) **References Cited**

**U.S. PATENT DOCUMENTS**

5,607,051	A *	3/1997	Espinosa	.....	B65D 85/12 206/213.1
D398,715	S *	9/1998	Descalzo	.....	D27/186
D399,598	S *	10/1998	Perkins	.....	D27/189
D409,329	S *	5/1999	Bucher	.....	D27/189
D467,731	S *	12/2002	Pratt	.....	D3/273
D612,095	S	3/2010	Brown	.....	
D716,649	S *	11/2014	McAdam	.....	D9/418
D761,023	S *	7/2016	Tramontana	.....	D3/294
D832,696	S *	11/2018	Balanevsky	.....	D9/423
D910,912	S *	2/2021	Slate	.....	D27/189
2020/0037661	A1 *	2/2020	Slate	.....	A24F 25/02

**OTHER PUBLICATIONS**

Cigar Humidor By: Orleans Group found on Amazon (Nov. 20, 2021) <https://www.amazon.com/Orleans-Group-Bally-Cigar-Humidor/dp/B001EDSD6A> (Aug. 19, 2019).\*

\* cited by examiner

*Primary Examiner* — Marissa J Cash  
*Assistant Examiner* — Rebecca Tsehaye

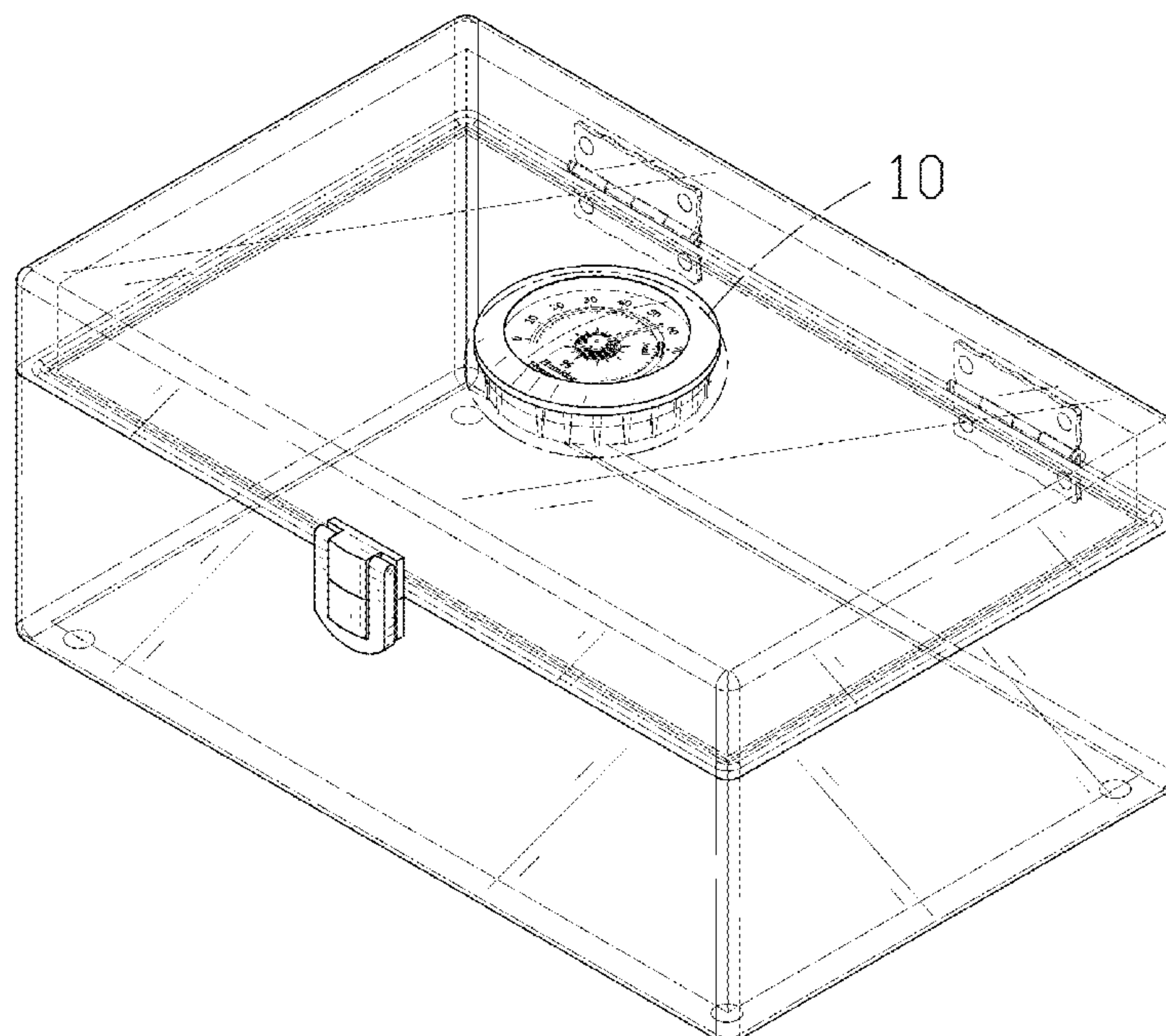
(57) **CLAIM**

The ornamental design for a cigar humidor, as shown and described.

**DESCRIPTION**

FIG. 1 is a front and top perspective view of a cigar humidor, showing my new design;  
FIG. 2 is a rear and bottom perspective view thereof;  
FIG. 3 is a front elevation view thereof;  
FIG. 4 is a rear elevation view thereof;  
FIG. 5 is a left side elevation view thereof;  
FIG. 6 is a right side elevation view thereof;  
FIG. 7 is a top plan view thereof;  
FIG. 8 is a bottom plan view thereof;  
FIG. 9 is another perspective view thereof, shown in an alternative position;  
FIG. 10 is an enlarged view of a portion indicated with numeric 10 in FIG. 1; and,  
FIG. 11 is an enlarged view of a portion indicated with numeric 11 in FIG. 2.  
The broken lines in the figures illustrate portions of the cigar humidor that form no part of the claimed design. The dash dot dash lines in FIGS. 1, 2, 10 and 11 are for the purpose of depicting the cut line of the enlarged view and form no part of the claim.

**1 Claim, 11 Drawing Sheets**



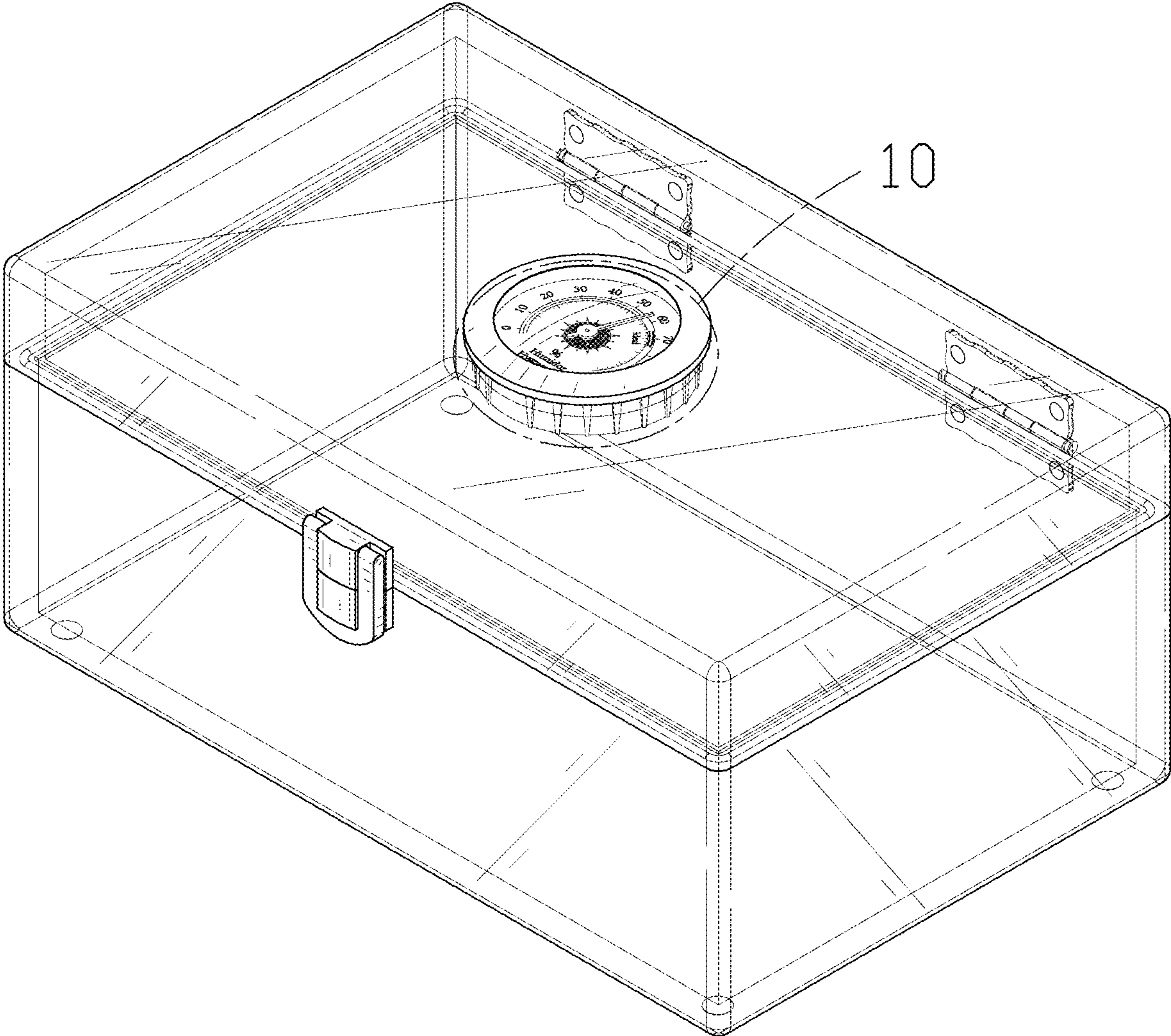


FIG. 1



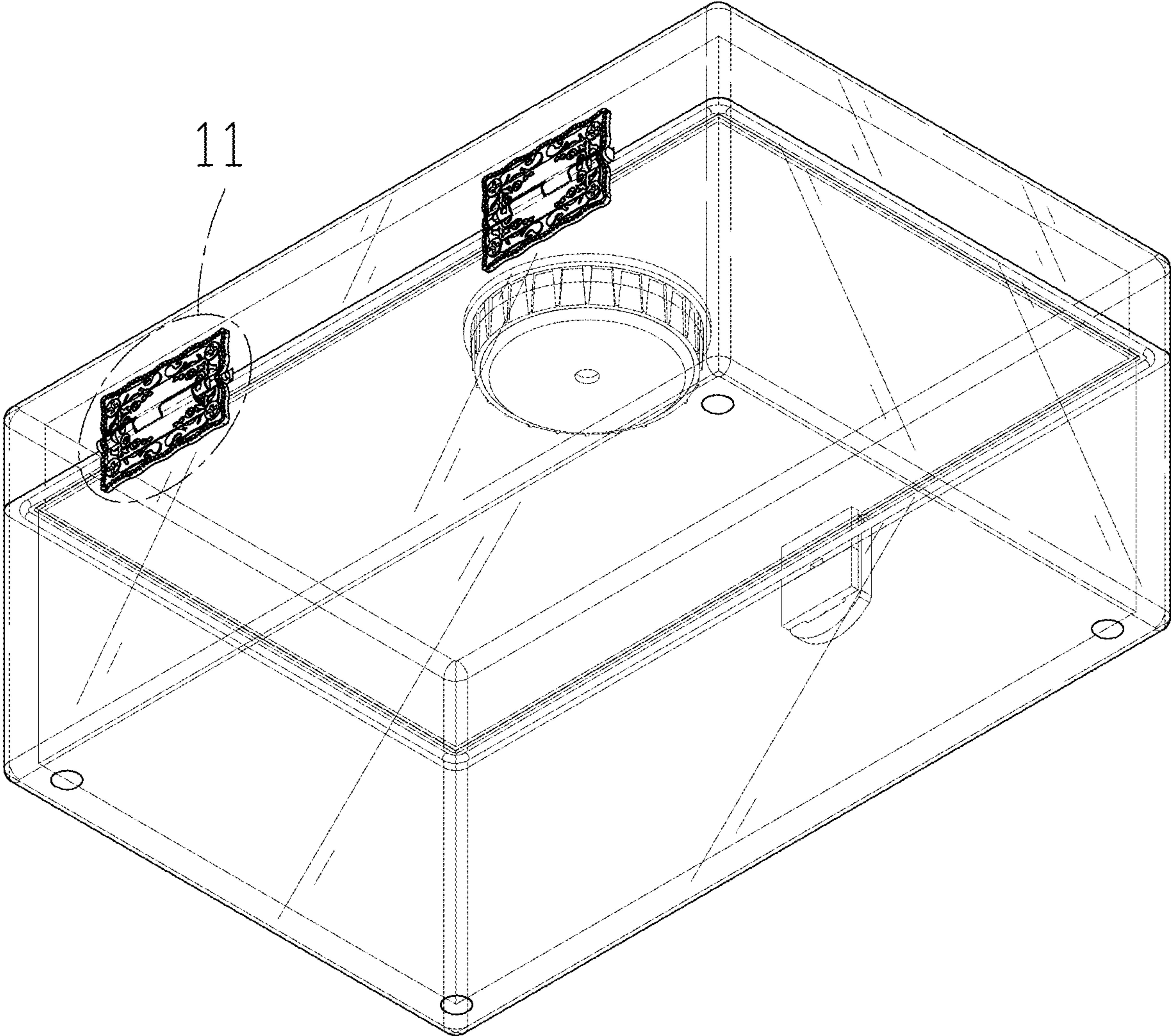


FIG. 2

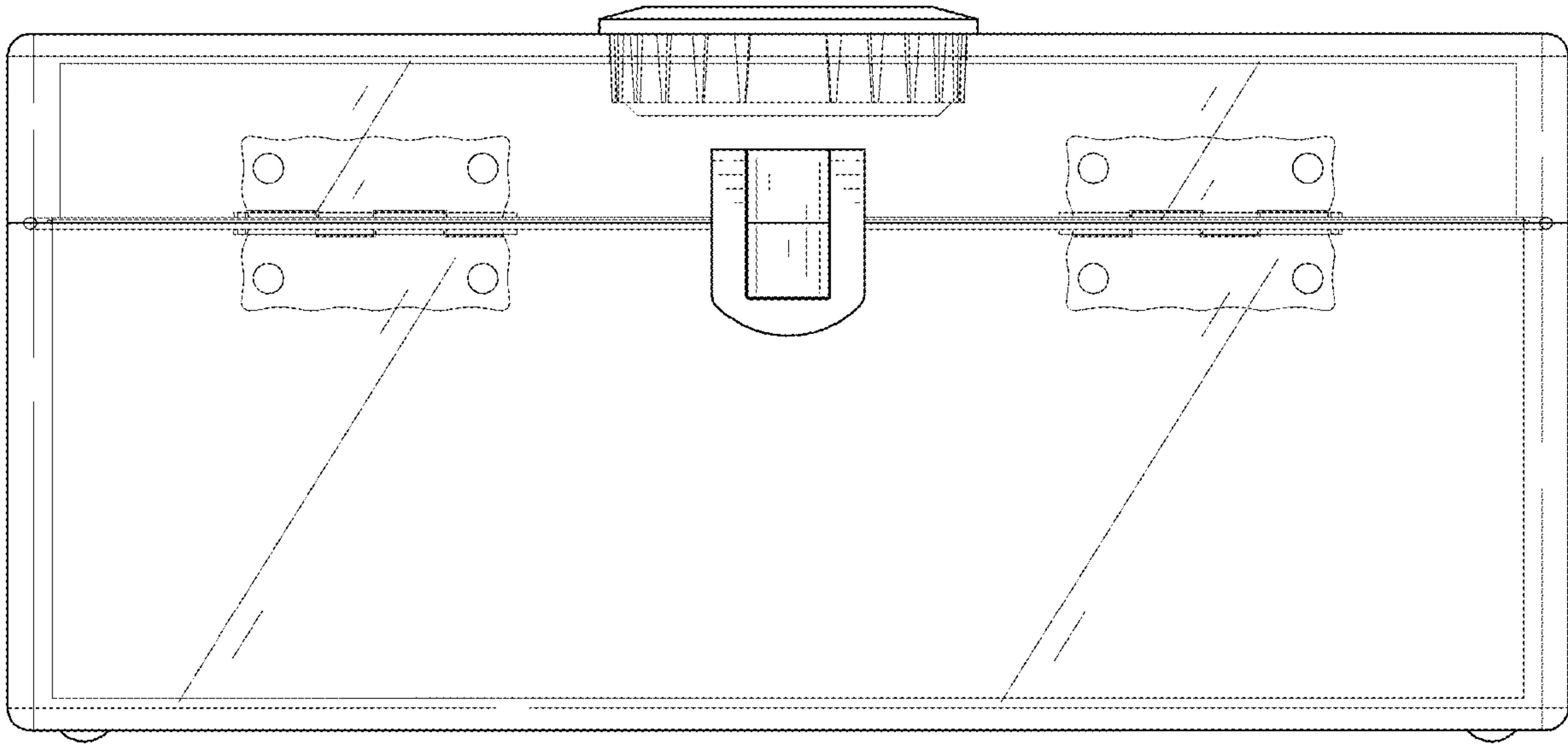


FIG. 3

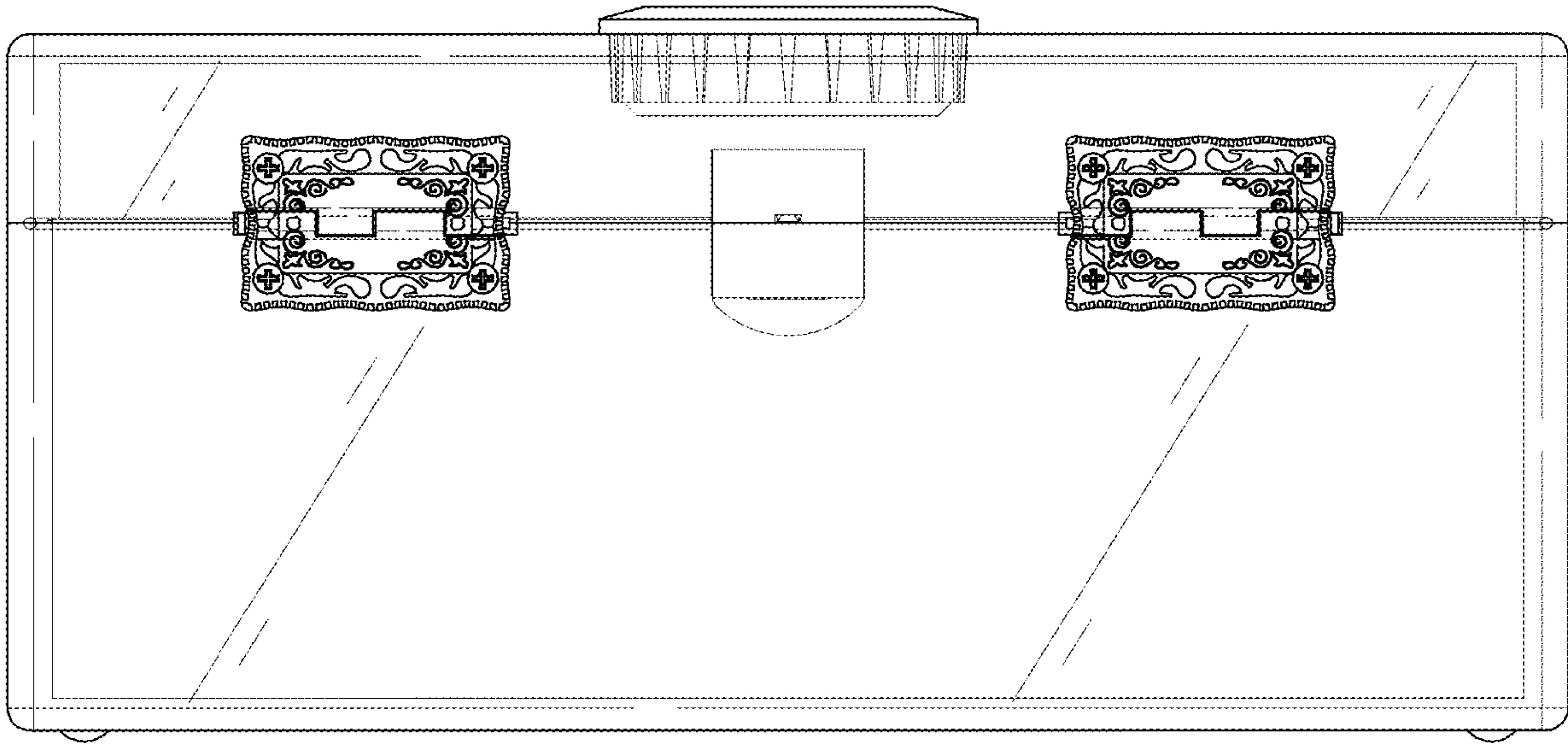


FIG. 4

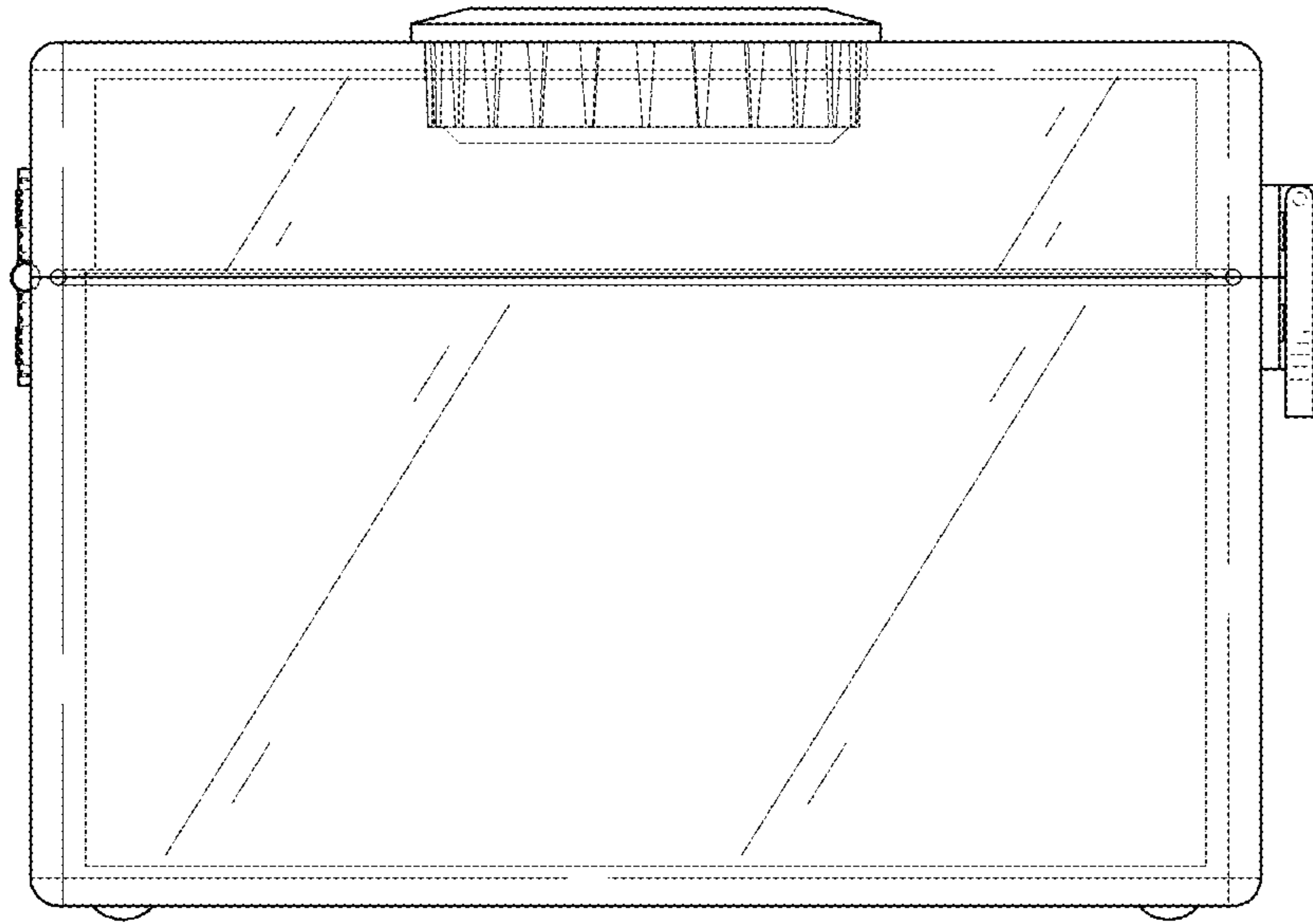


FIG. 5

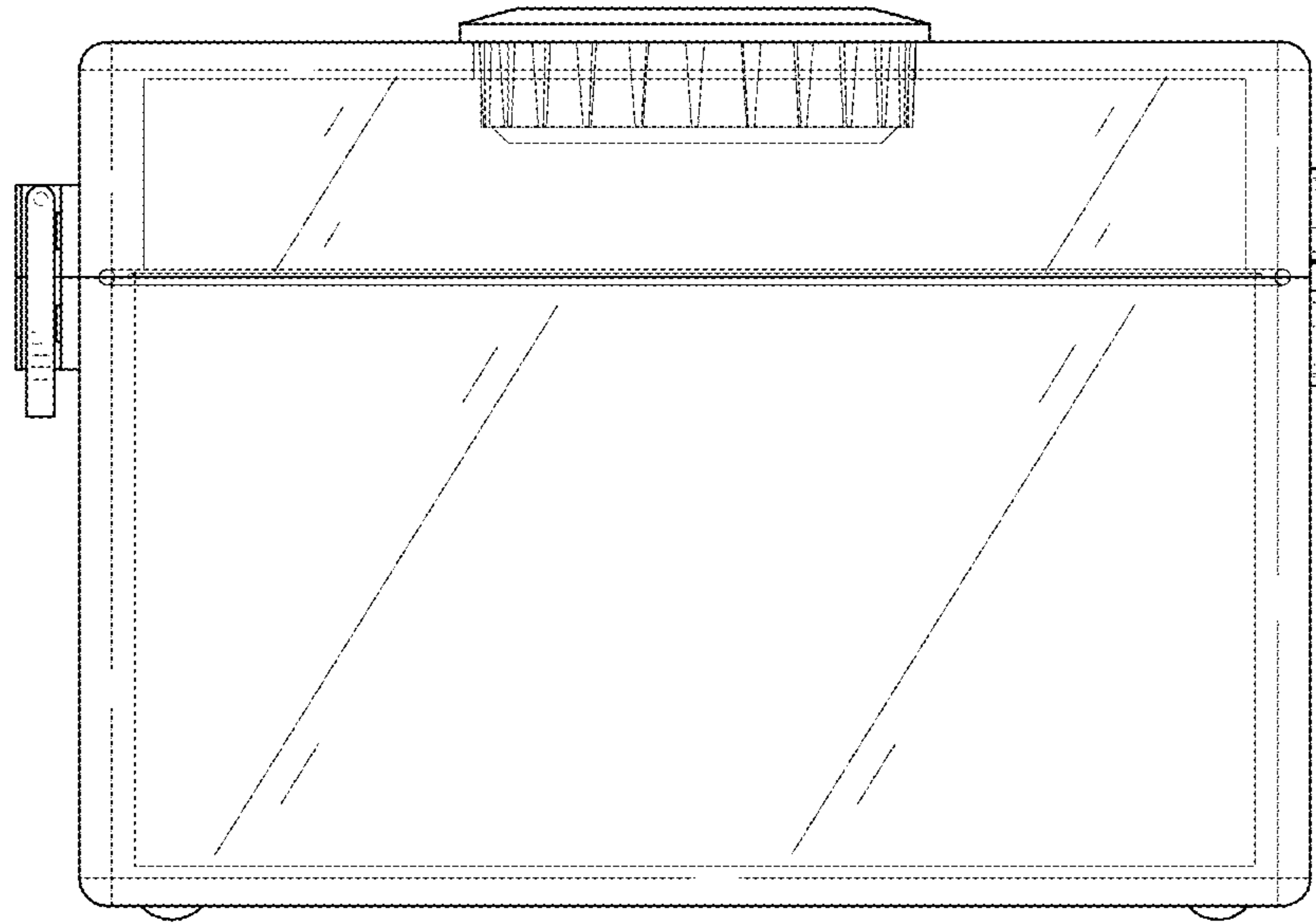


FIG. 6

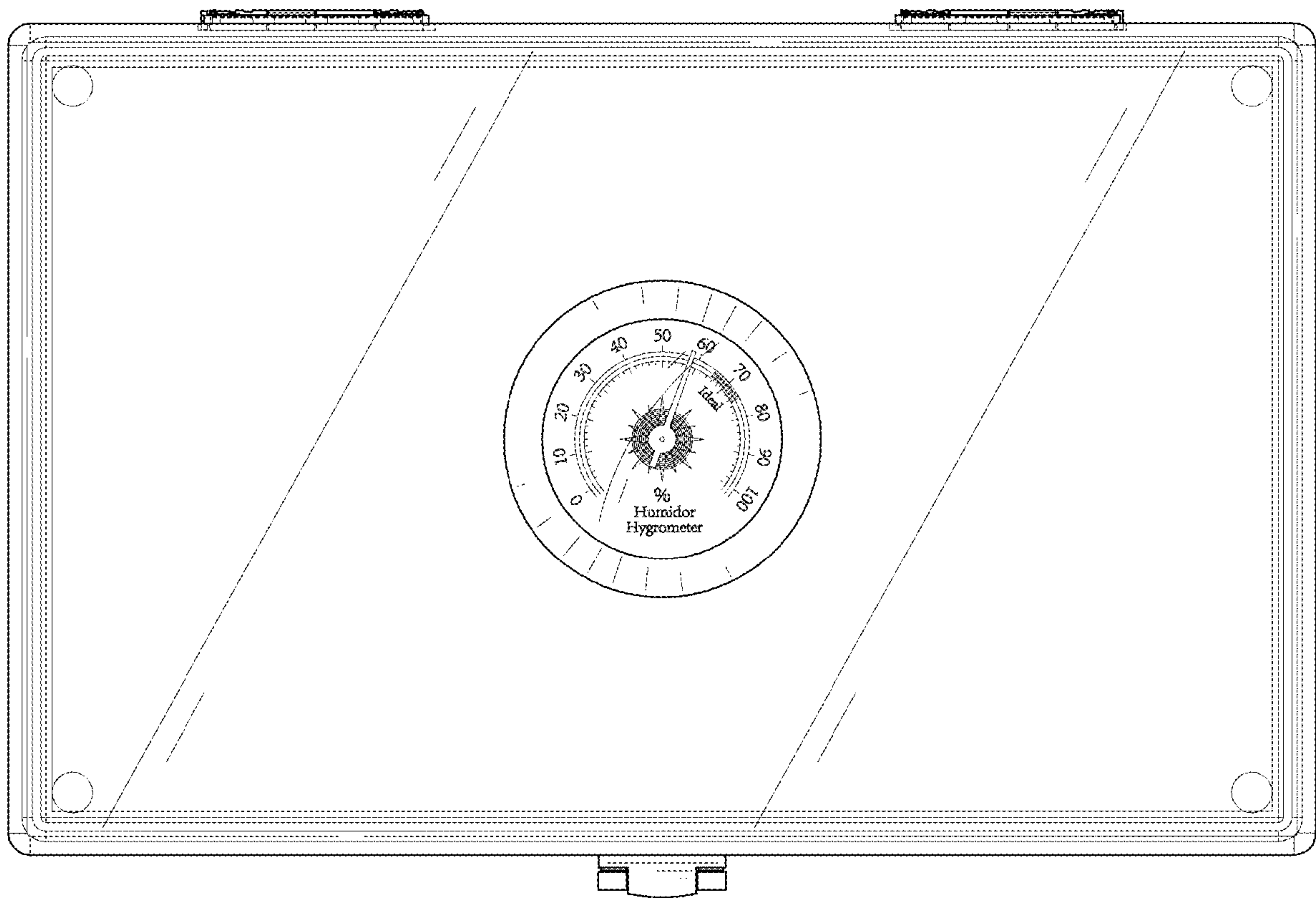


FIG. 7



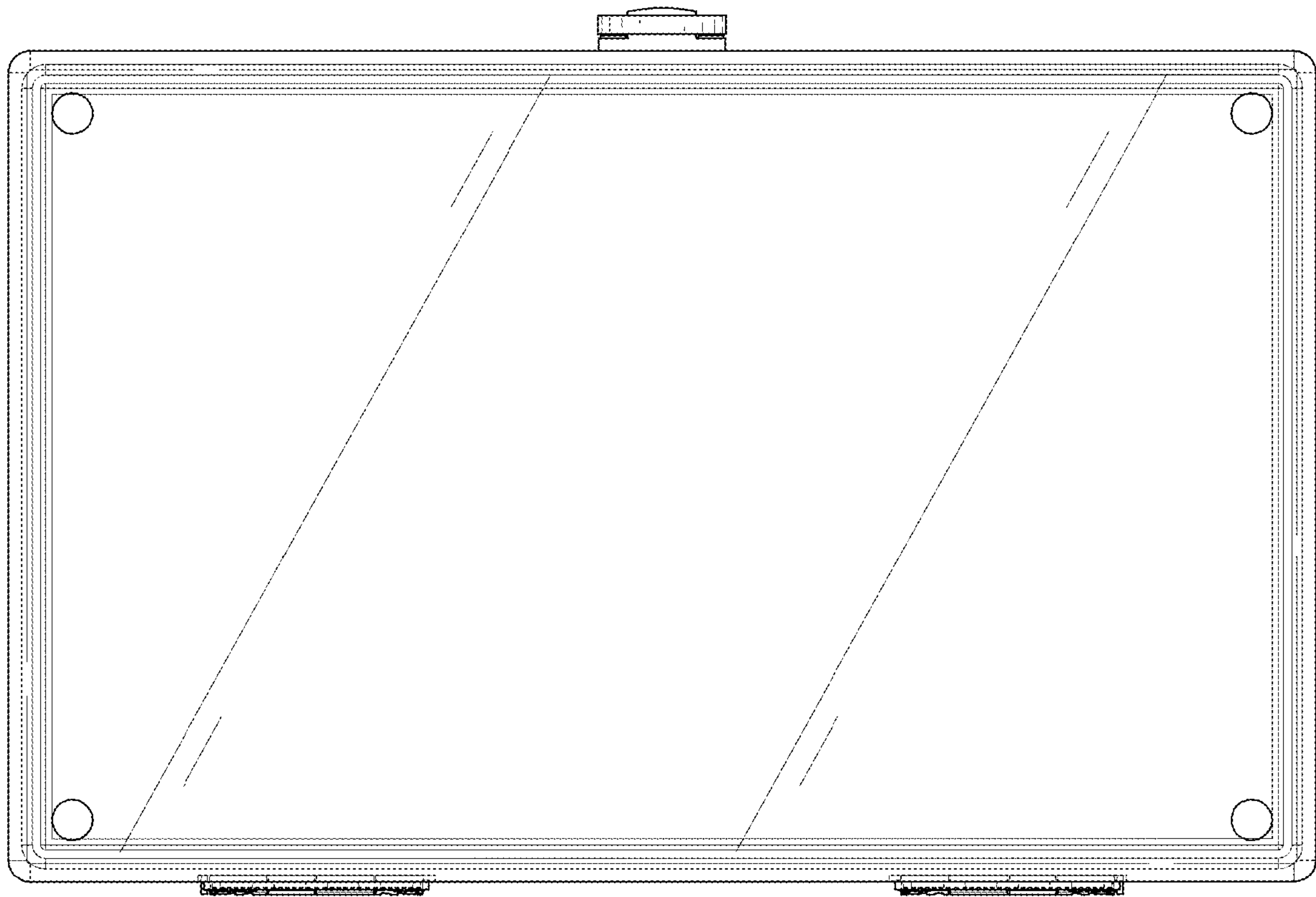


FIG. 8

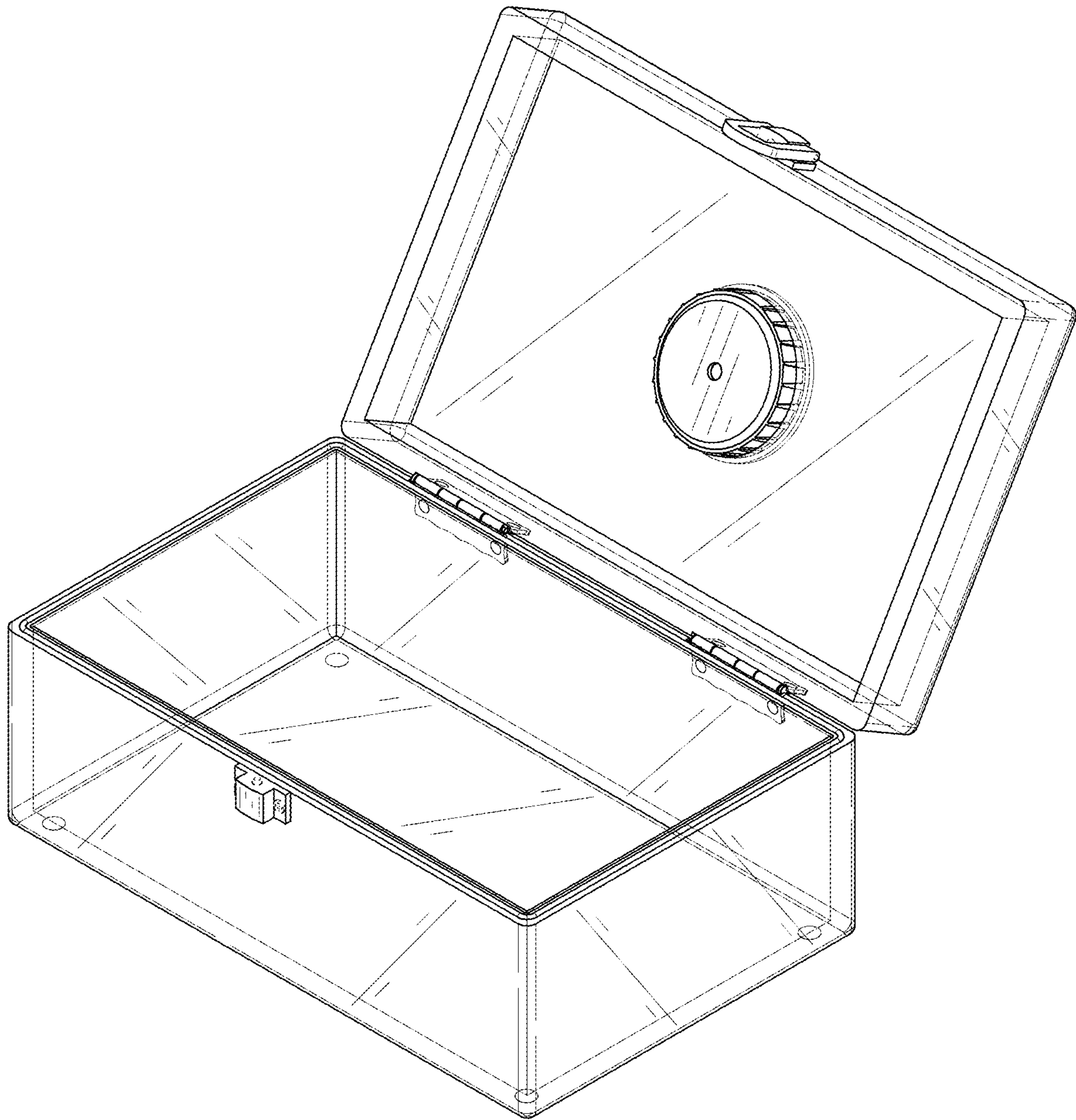


FIG. 9

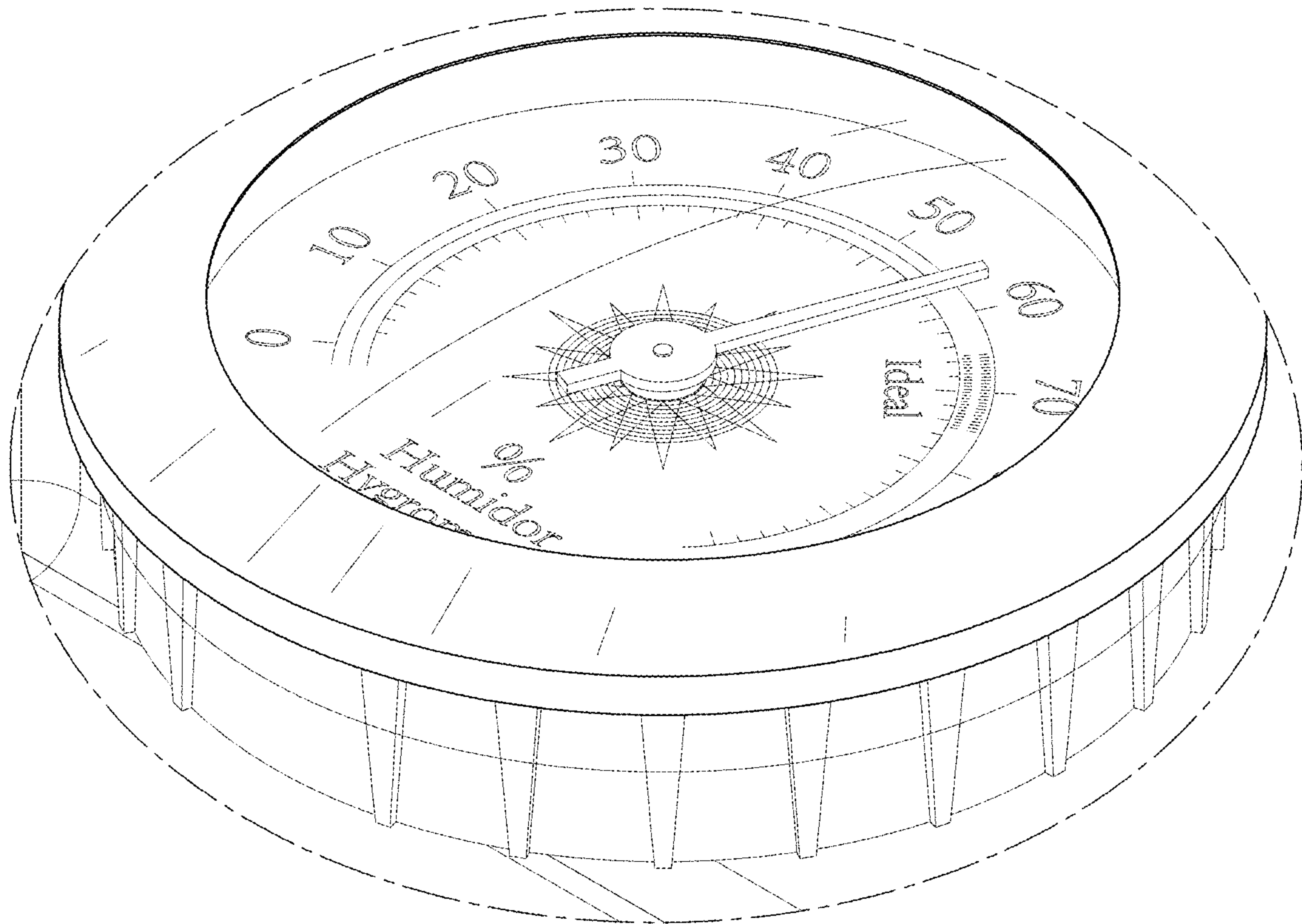


FIG. 10

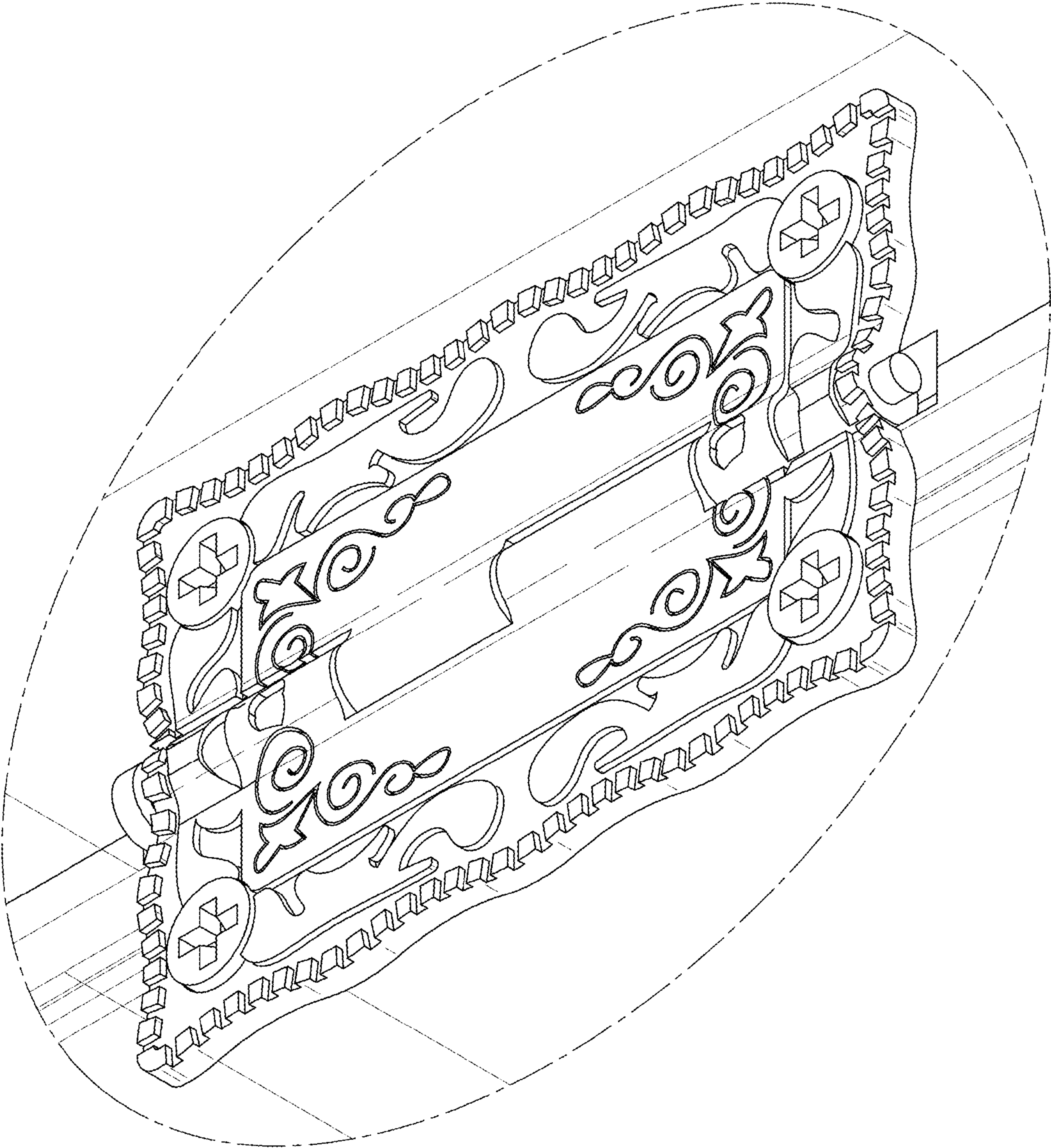


FIG. 11