



US00D943822S

(12) **United States Design Patent**  
**Heim**

(10) **Patent No.:** **US D943,822 S**

(45) **Date of Patent:** **\*\* Feb. 15, 2022**

(54) **COMBINED CIGARETTE PACK AND LIGHTER HOLDER**

(71) Applicant: **Casey Heim**, Hoxie, KS (US)

(72) Inventor: **Casey Heim**, Hoxie, KS (US)

(\*\*) Term: **15 Years**

(21) Appl. No.: **29/729,159**

(22) Filed: **Mar. 24, 2020**

(51) **LOC (13) Cl.** ..... **27-06**

(52) **U.S. Cl.**  
USPC ..... **D27/185**

(58) **Field of Classification Search**  
USPC ..... D27/101, 141, 144, 153, 161, 172, 174,  
D27/175, 183, 186, 187, 189, 191;  
D3/203.2, 303; D9/702-709, 414, 432,  
D9/434, 442, 443, 499; D24/108, 118,  
D24/110, 110.5

CPC ..... A24F 15/18; A24F 15/00; A24F 15/02;  
A24F 15/12; B65B 19/00; B65B 19/34

See application file for complete search history.

(56) **References Cited**

**U.S. PATENT DOCUMENTS**

- 4,588,076 A \* 5/1986 Caputo ..... A24F 15/18  
206/86
- D435,691 S \* 12/2000 Reynolds ..... D27/143
- D457,262 S \* 5/2002 Smith ..... D27/143
- D519,673 S \* 4/2006 Bray ..... D27/189
- D617,495 S \* 6/2010 LoRe ..... D27/172

- D617,942 S \* 6/2010 LoRe ..... D27/172
- D618,392 S \* 6/2010 LoRe ..... D27/172
- D680,263 S \* 4/2013 Braley ..... D27/181
- D718,493 S \* 11/2014 Stern ..... D27/189
- D758,653 S \* 6/2016 Ayoub ..... D27/161
- D799,743 S \* 10/2017 Qiu ..... D27/101
- 9,888,717 B2 \* 2/2018 Liu ..... A24F 15/10
- D839,094 S \* 1/2019 Giraud ..... D9/499
- D870,564 S \* 12/2019 Kinas ..... D9/705

\* cited by examiner

*Primary Examiner* — Rebecca Tsehaye

(74) *Attorney, Agent, or Firm* — Barry Choobin; Patent  
360

(57) **CLAIM**

An ornamental design for a combined cigarette pack and lighter holder, as shown and described herein.

**DESCRIPTION**

FIG. 1 is a perspective view of the combined cigarette pack and lighter holder, showing my new design.

FIG. 2 is a front view thereof;

FIG. 3 is a rear view thereof;

FIG. 4 is a right-side view thereof;

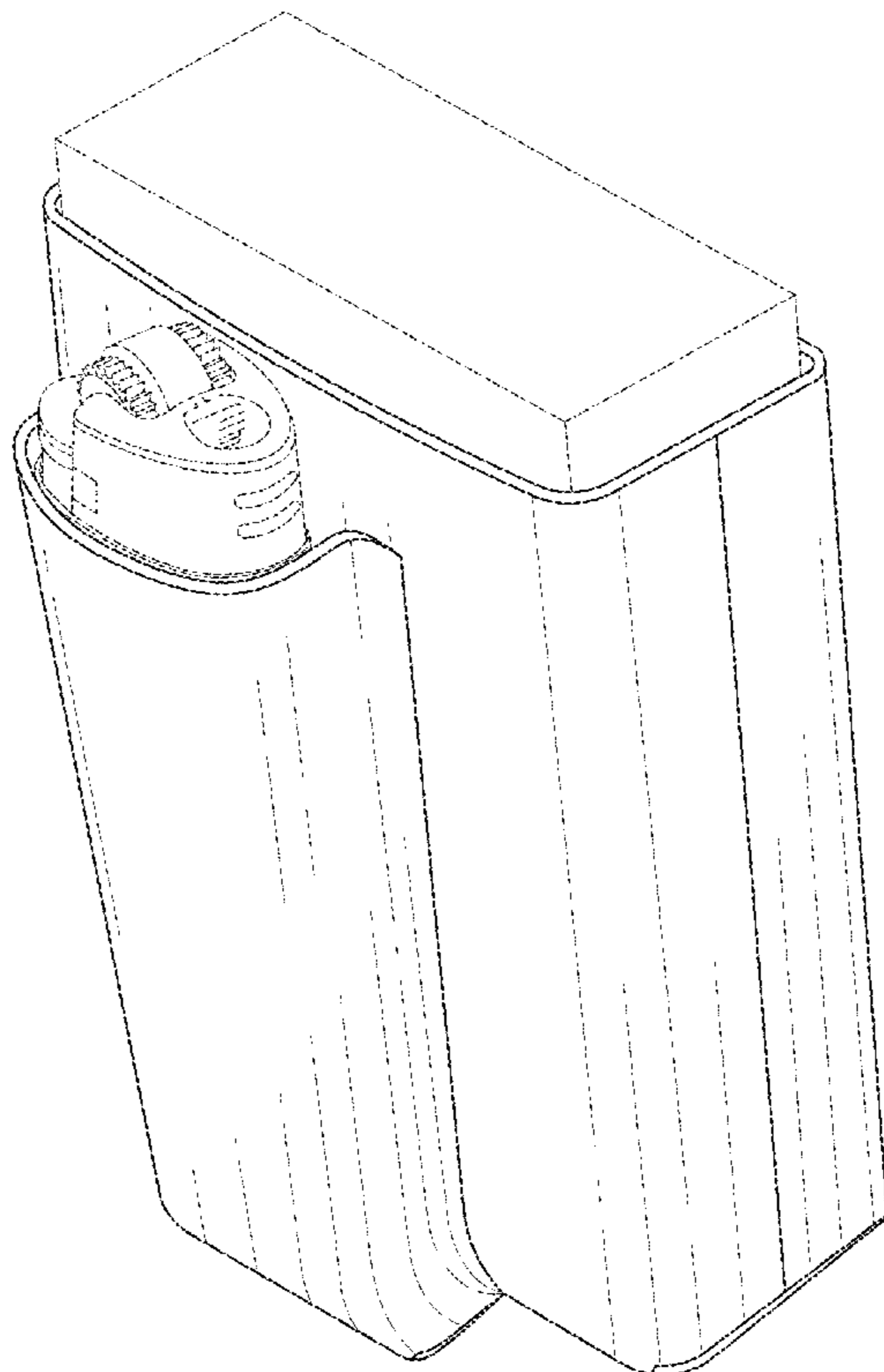
FIG. 5 is a left-side view thereof;

FIG. 6 is a top view thereof; and,

FIG. 7 is a bottom view thereof.

The broken lines in the drawings depict portions of the combined cigarette pack and lighter holder that form no part of the claimed design.

**1 Claim, 7 Drawing Sheets**



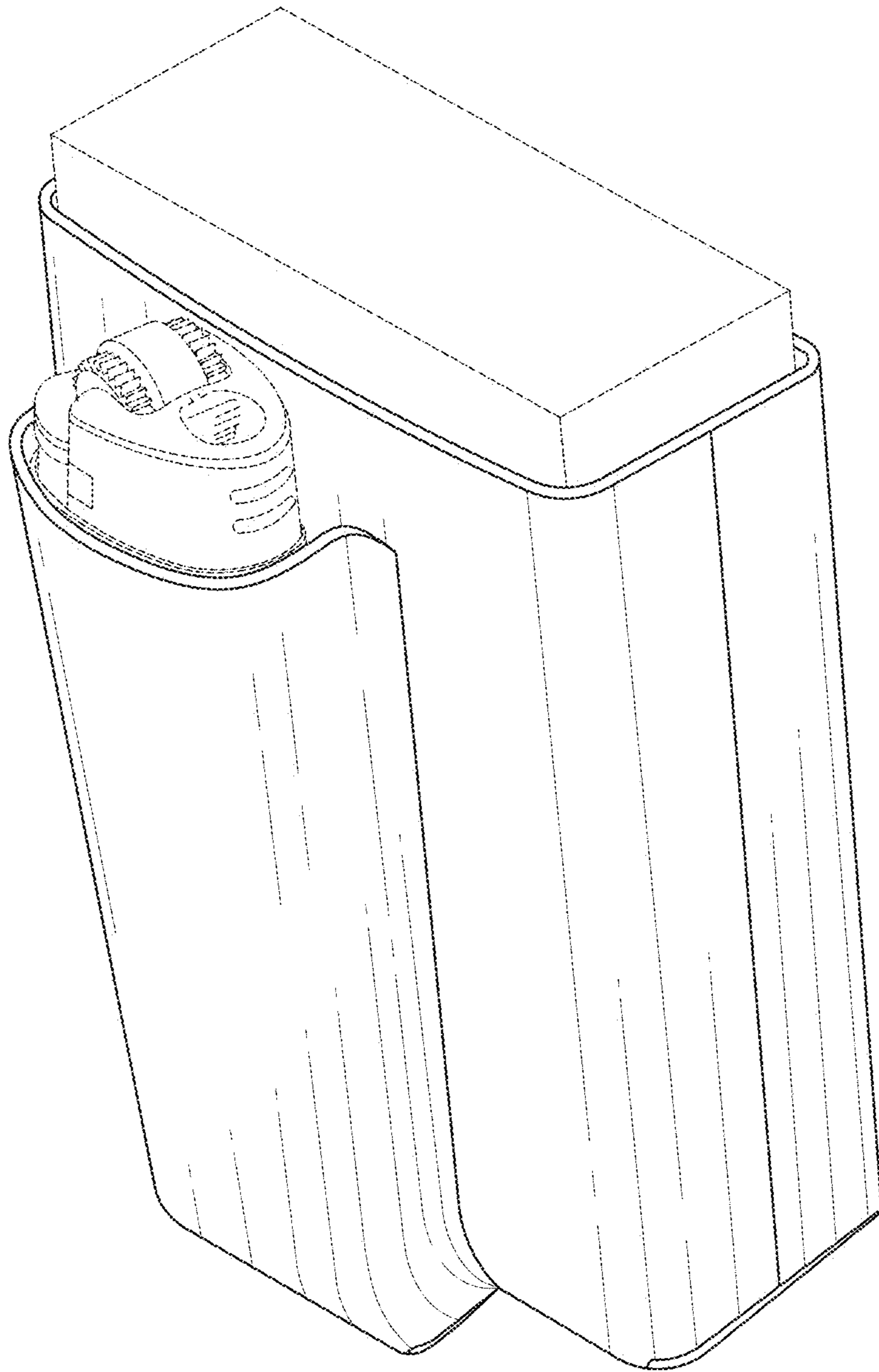


FIG. 1

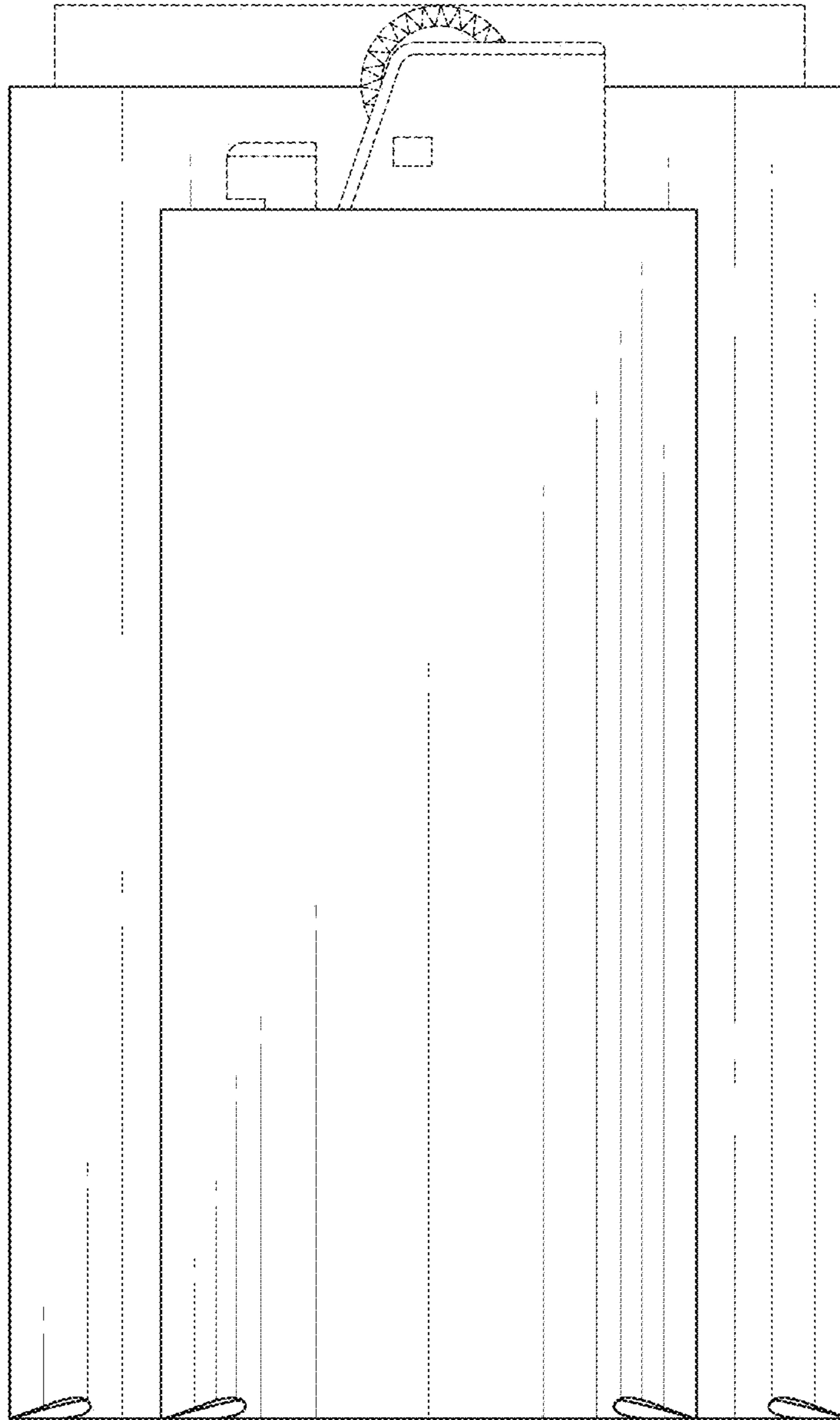


FIG. 2

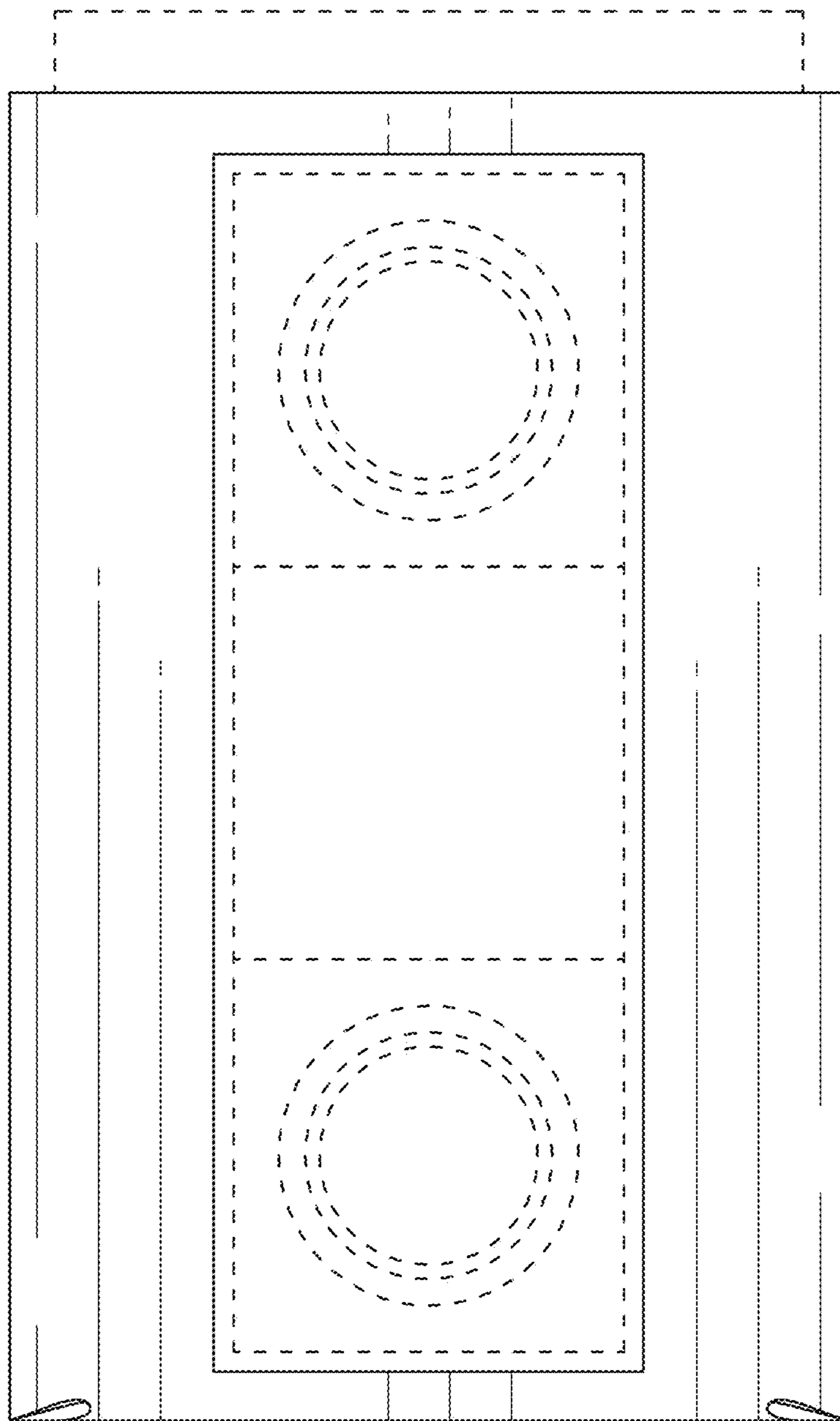


FIG. 3

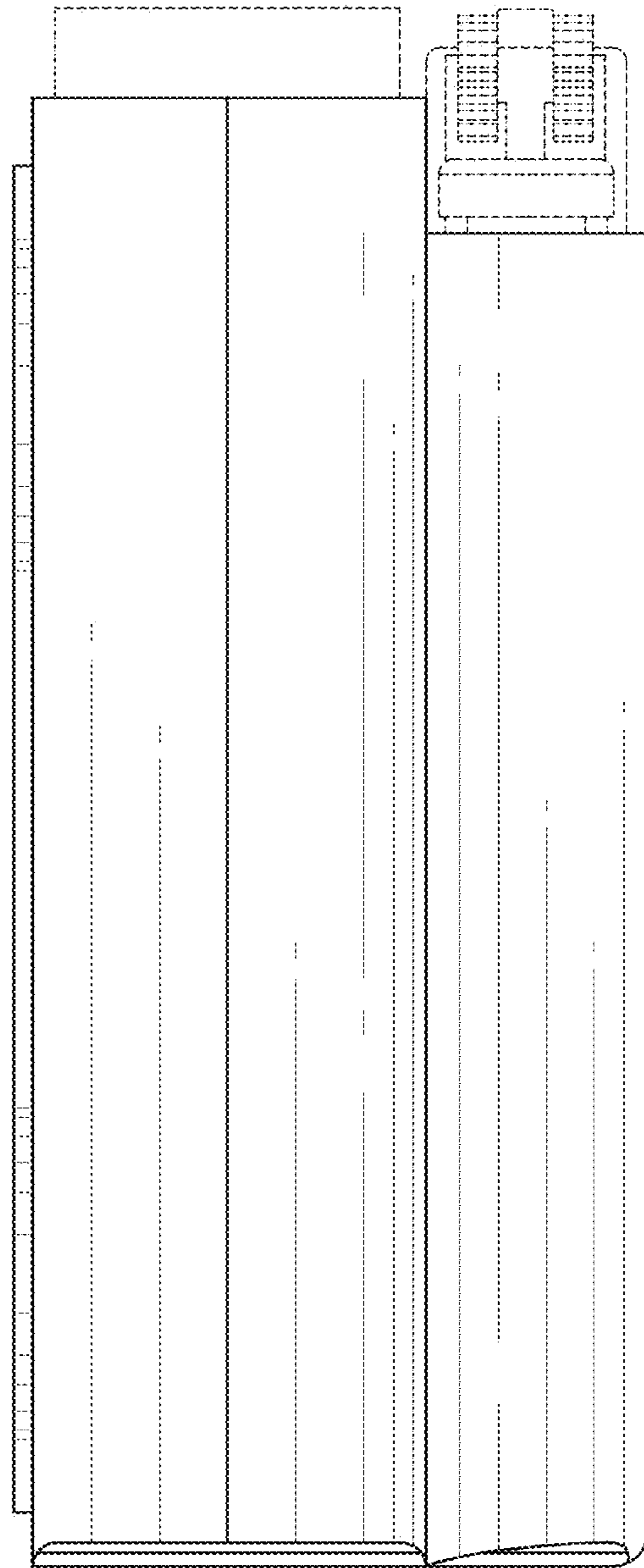


FIG. 4

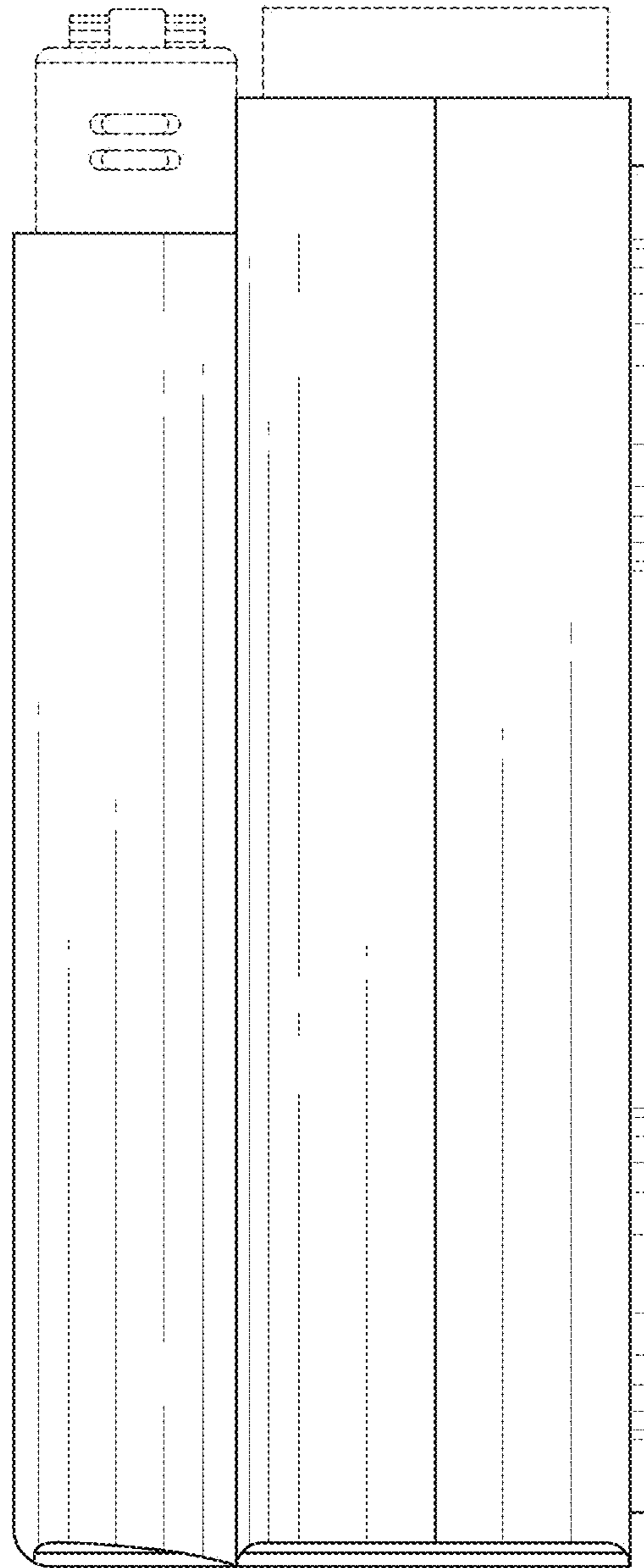


FIG. 5

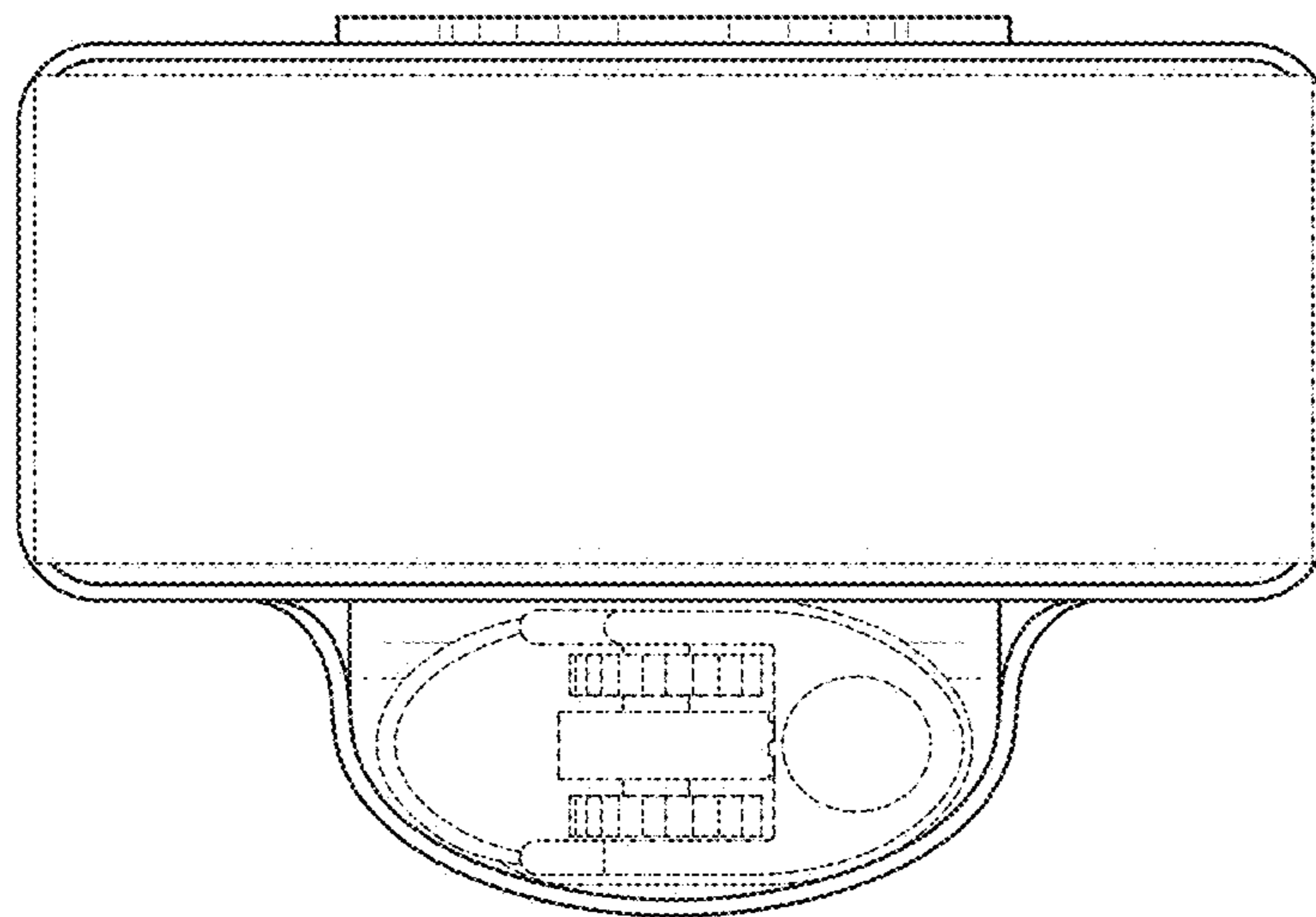


FIG. 6

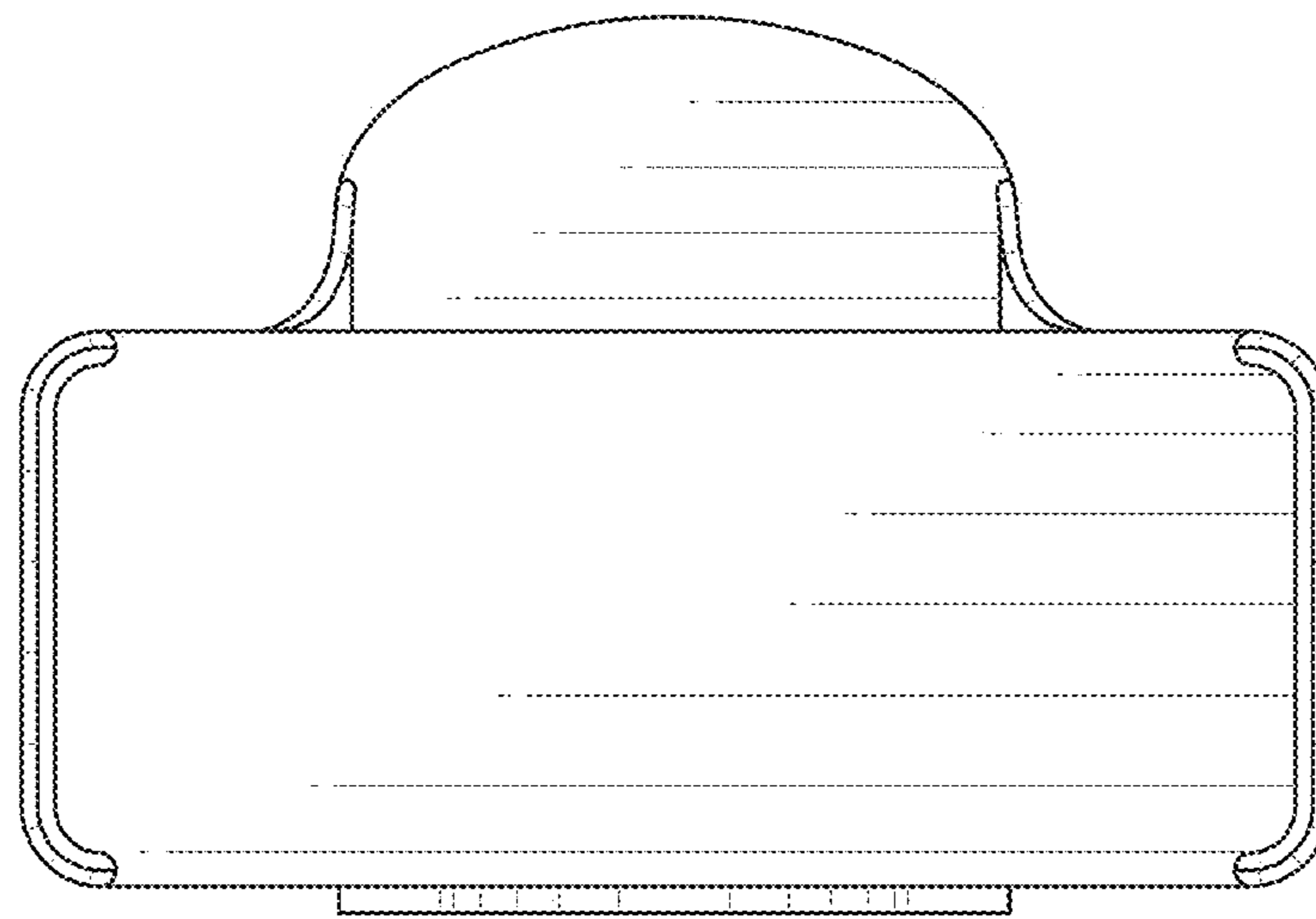


FIG. 7