



US00D943821S

(12) **United States Design Patent**  
**Pummill**

(10) **Patent No.:** **US D943,821 S**

(45) **Date of Patent:** **\*\* \*Feb. 15, 2022**

(54) **CIGAR SHAPED SMOKING HOLDER**

(71) Applicant: **Kent Pummill**, Kansas City, MO (US)

(72) Inventor: **Kent Pummill**, Kansas City, MO (US)

(\*) Notice: This patent is subject to a terminal disclaimer.

(\*\*) Term: **15 Years**

(21) Appl. No.: **29/704,736**

(22) Filed: **Sep. 6, 2019**

(51) **LOC (13) Cl.** ..... **24-06**

(52) **U.S. Cl.**  
USPC ..... **D27/183**

(58) **Field of Classification Search**

USPC ..... D27/102, 136, 137, 163, 167, 172, 173,  
D27/174, 175, 176, 177, 178, 179, 180,  
D27/181, 182, 183, 184, 185, 186, 187,  
D27/188, 189, 190, 191, 192, 193, 194,  
D27/195, 196; D19/77, 81

CPC ..... A24F 13/22; A24F 13/02; A24F 13/06;  
A24F 13/08; A24F 15/00; A24F 15/18;  
A24F 15/20; A24F 7/04; A24F 13/04;  
A24F 13/16; A24F 7/00; A24F 15/12;  
A24F 13/10; A24F 13/24; A24F 15/10;  
A24F 19/0035; A24F 19/0064; A24F  
47/00; A24F 47/008; A24F 19/10; A24F  
19/14

See application file for complete search history.

(56) **References Cited**

**U.S. PATENT DOCUMENTS**

3,978,981 A \* 9/1976 Musick ..... A24F 13/22  
206/276  
4,809,715 A \* 3/1989 Musetti ..... A24F 13/18  
131/235.1  
5,002,073 A \* 3/1991 Chiang ..... A24F 13/18  
131/178  
5,345,953 A \* 9/1994 Taylor ..... A24F 13/18  
131/256  
D406,386 S \* 3/1999 Kuniansky ..... D27/183

D408,097 S \* 4/1999 Heydt ..... D27/183  
6,341,609 B1 \* 1/2002 Morris ..... A24F 13/22  
131/187  
D626,285 S \* 10/2010 Adame ..... D27/183  
D693,053 S \* 11/2013 Chen ..... D27/101  
D799,750 S \* 10/2017 Parcevaux ..... D27/194  
D825,844 S \* 8/2018 Verleur ..... D27/167

(Continued)

**FOREIGN PATENT DOCUMENTS**

CN 201930701549.7 \* 5/2020  
EM 008052666-0001 \* 8/2020

*Primary Examiner* — Lakiya G Rogers

*Assistant Examiner* — William B Melliar

(74) *Attorney, Agent, or Firm* — Arthur K. Shaffer;  
Intellectual Property Center, LLC

(57) **CLAIM**

The ornamental design for a cigar shaped smoking holder, as shown and described.

**DESCRIPTION**

FIG. 1 is side perspective view of a cigar shaped smoking holder in accordance with an embodiment of the present invention;

FIG. 2 is a rear elevation of the cigar shaped smoking holder of FIG. 1;

FIG. 3 is a front elevation of the cigar shaped smoking holder of FIG. 1;

FIG. 4 is a right-side elevation of the cigar shaped smoking holder of FIG. 1;

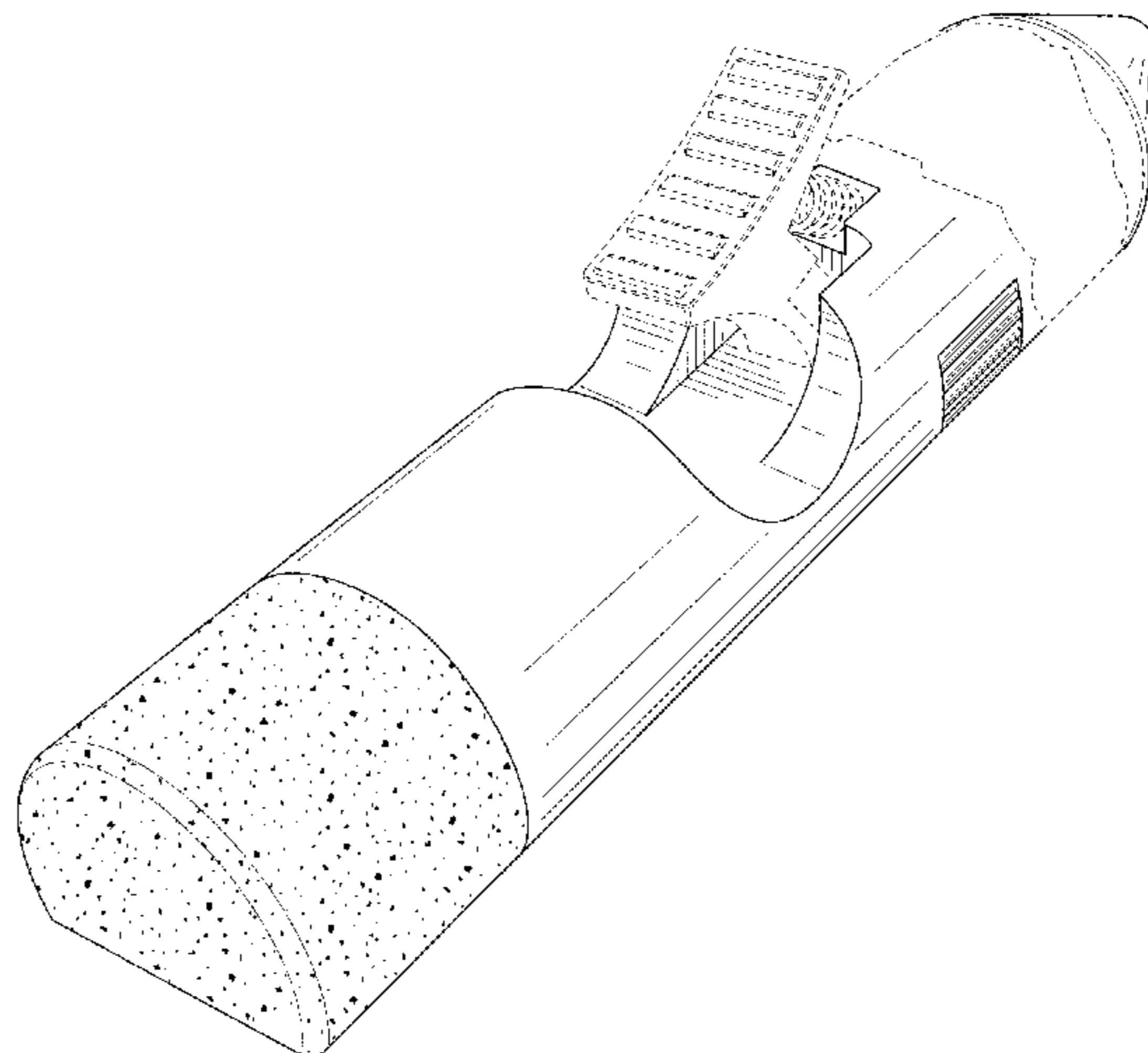
FIG. 5 is a left-side elevation of the cigar shaped smoking holder of FIG. 1;

FIG. 6 is a top plan view of the cigar shaped smoking holder of FIG. 1; and,

FIG. 7 is a bottom plan view of the cigar shaped smoking holder of FIG. 1.

The broken lines show portions of the cigar shaped smoking holder that form no part of the claimed design.

**1 Claim, 6 Drawing Sheets**



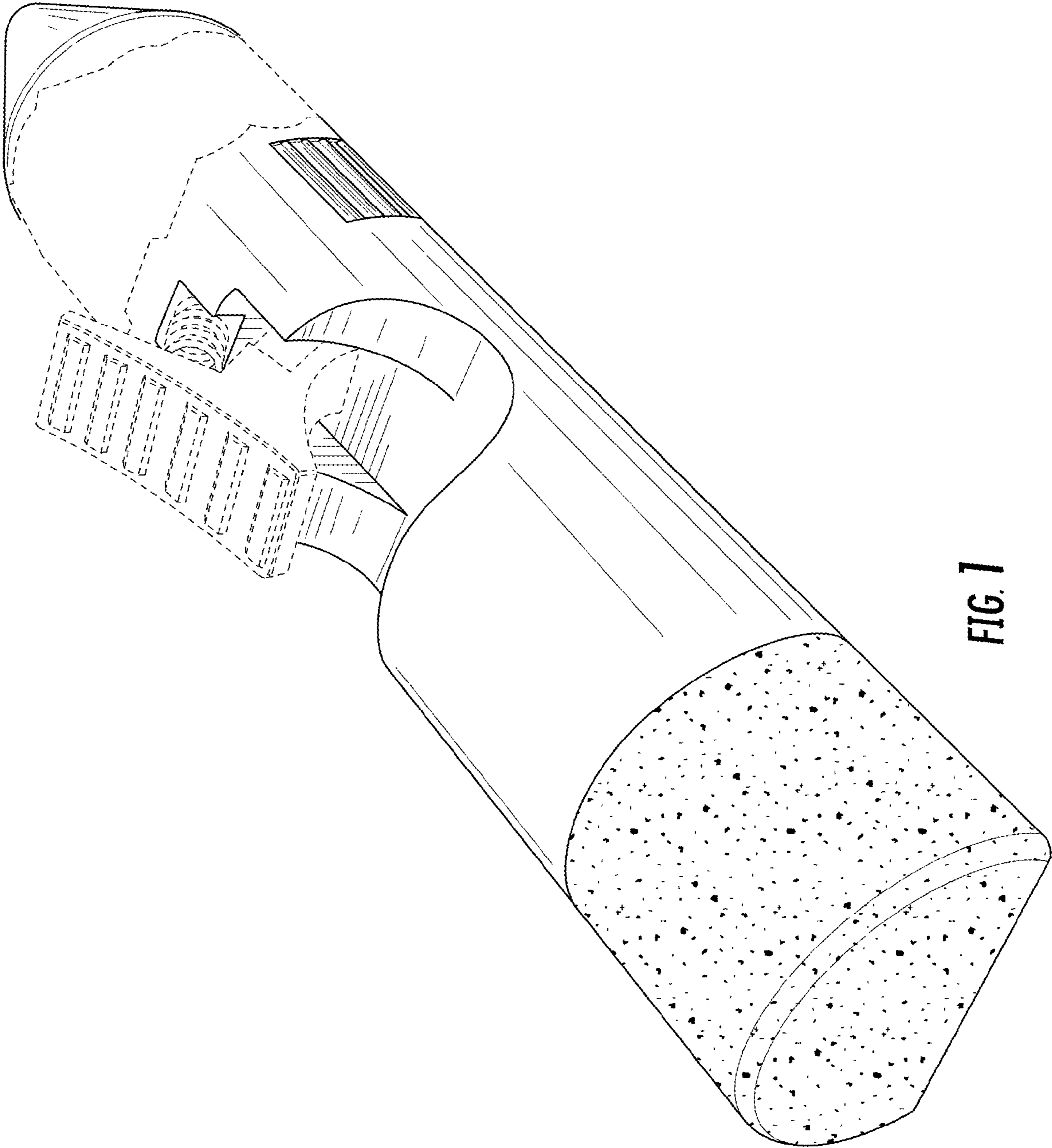
(56)

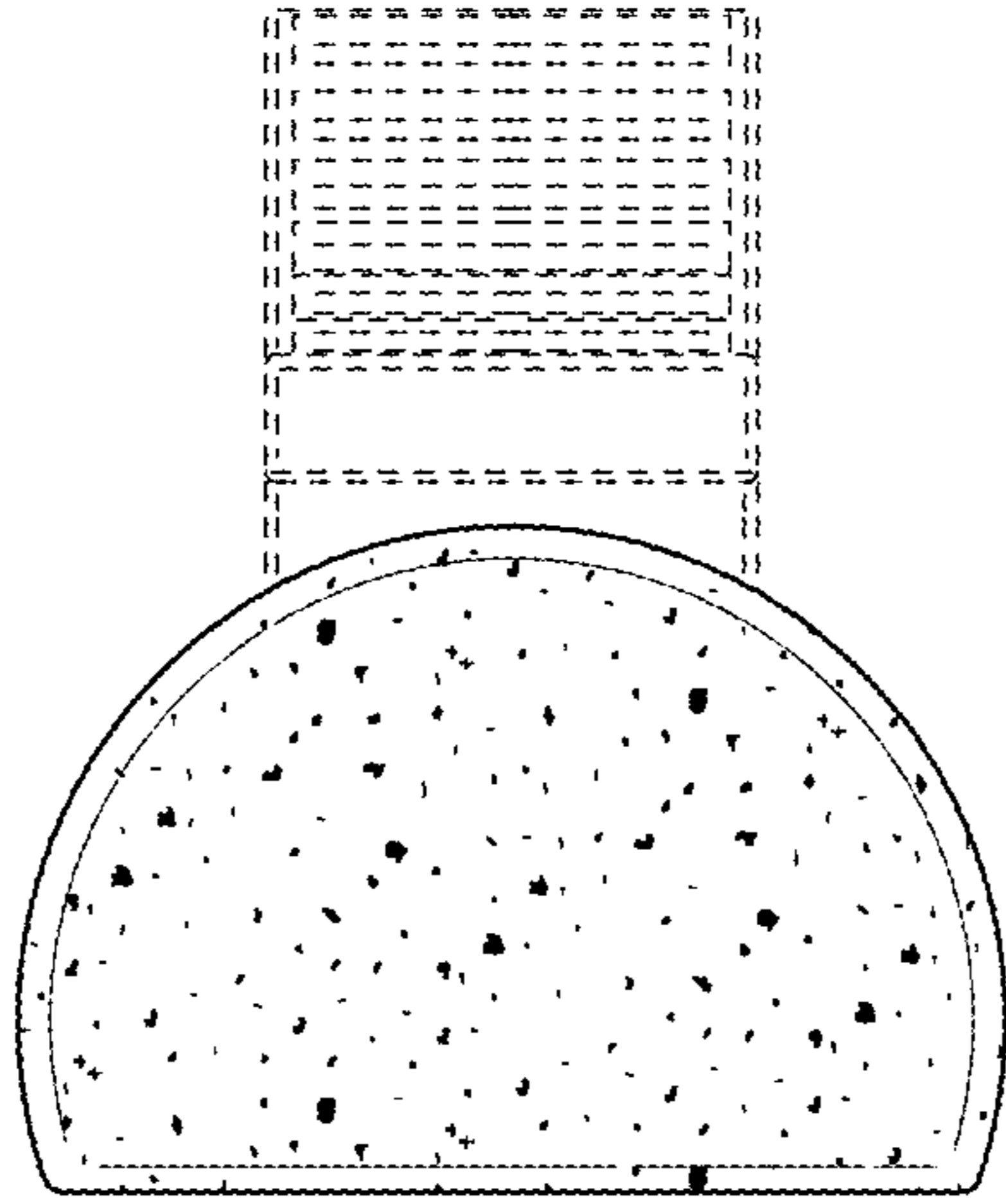
**References Cited**

U.S. PATENT DOCUMENTS

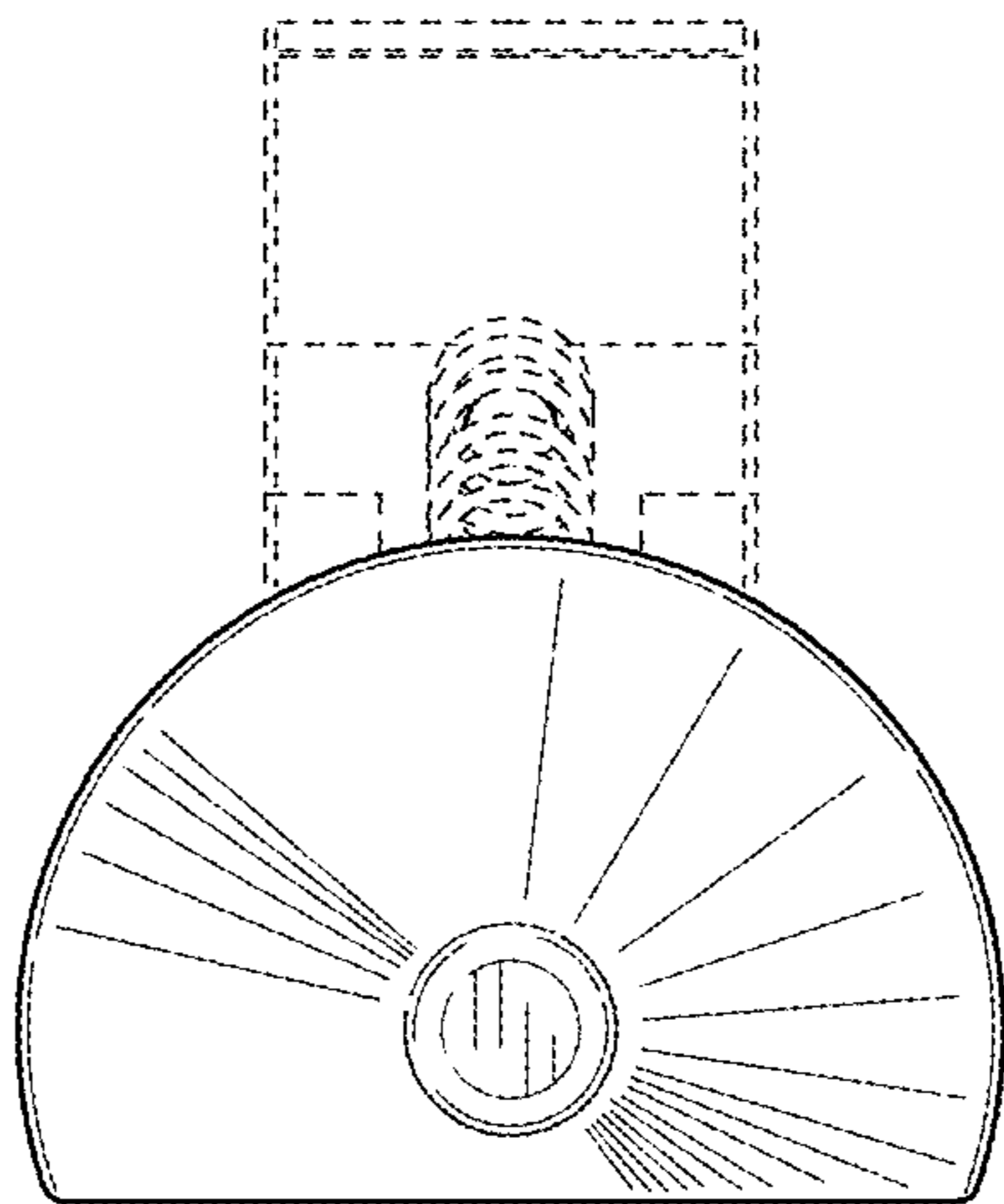
2017/0319009 A1\* 11/2017 Seckel ..... B02C 18/2216  
2018/0153220 A1\* 6/2018 Verleur ..... A24F 40/40  
2019/0183172 A1\* 6/2019 Chipman ..... A24F 15/12

\* cited by examiner





**FIG. 2**



**FIG. 3**

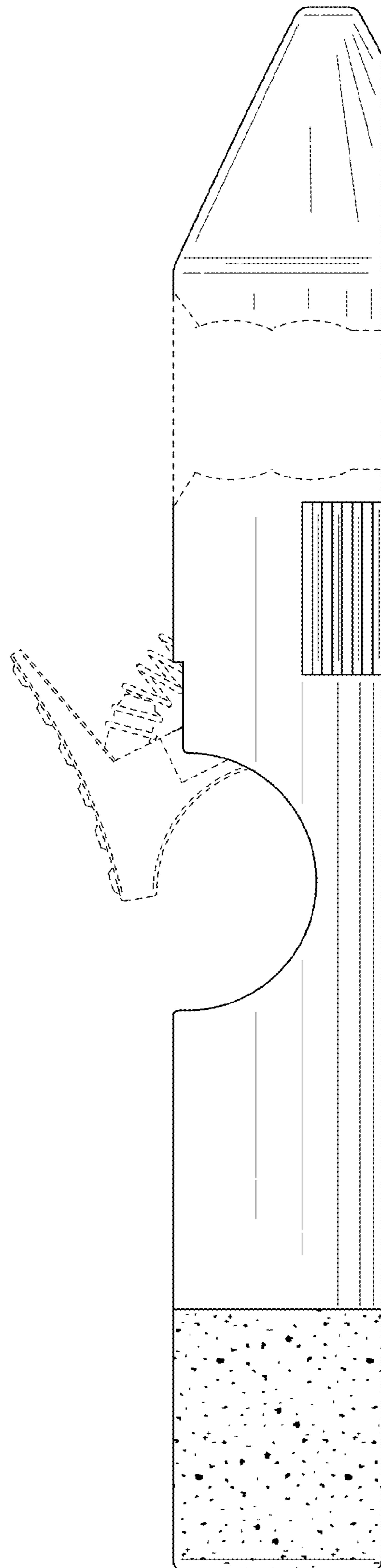


FIG. 4

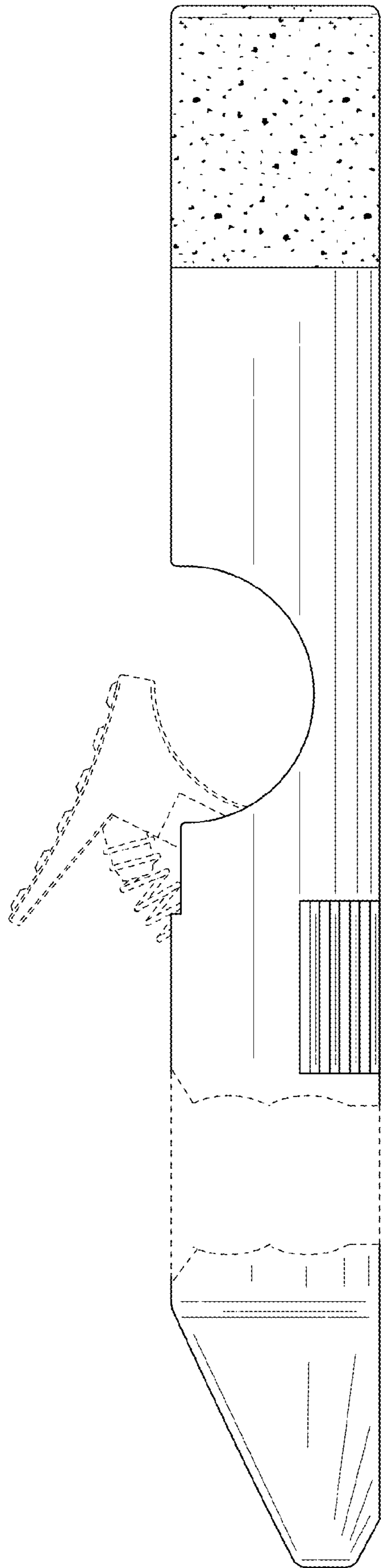


FIG. 5

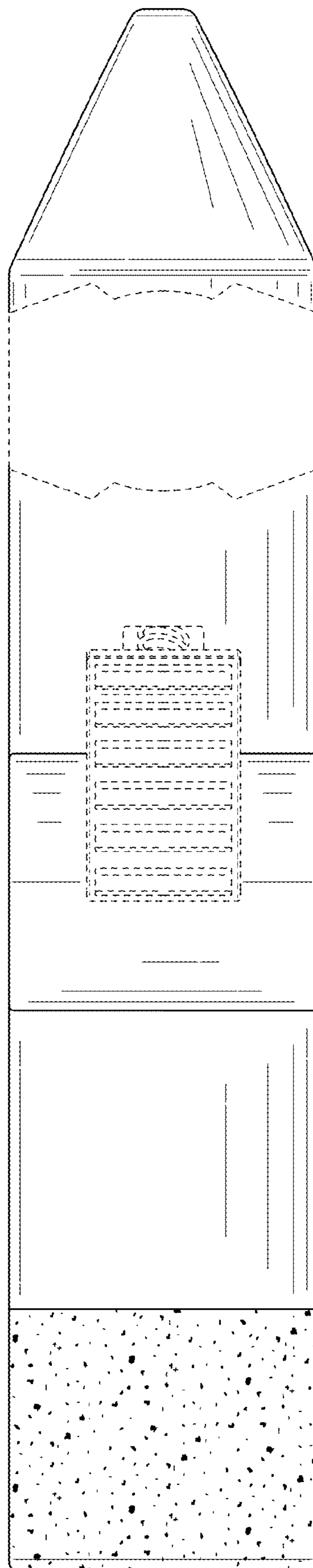
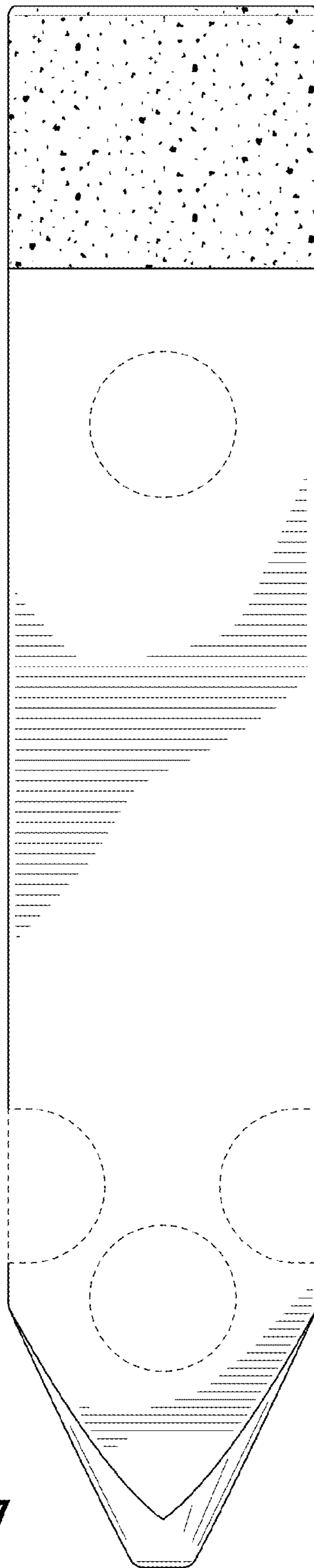


FIG. 6



**FIG. 7**