



US00D943819S

(12) **United States Design Patent** (10) **Patent No.:** **US D943,819 S**
Pinto (45) **Date of Patent:** **** Feb. 15, 2022**

(54) **CARTRIDGE FOR ELECTRONIC CIGARETTE LIQUID**
(71) Applicant: **SS Group Holding Limited**, Hong Kong (CN)
(72) Inventor: **Victor Shelton Sanna Pinto**, Sao Paulo (BR)
(73) Assignee: **SS GROUP HOLDING LIMITED**, Wan Chai (HK)
(**) Term: **15 Years**
(21) Appl. No.: **29/764,274**
(22) Filed: **Dec. 29, 2020**
(51) **LOC (13) Cl.** **27-02**
(52) **U.S. Cl.**
USPC **D27/162**
(58) **Field of Classification Search**
USPC D27/100, 101, 163-165, 167, 172, 183, D27/185-194; D13/103, 107; D23/356, D23/360, 366; D24/110, 100.5; D9/503-505, 516, 549, 558, 454, 715, D9/719
CPC A24F 47/00; A24F 47/02; A24F 47/04; A24F 47/08; A61M 15/06
See application file for complete search history.

(56) **References Cited**

U.S. PATENT DOCUMENTS

D677,832 S * 3/2013 Fastuca D27/189
D737,149 S * 8/2015 Son D9/688
D743,622 S * 11/2015 Alima D27/167
D823,537 S * 7/2018 Beaver D27/191
D823,689 S * 7/2018 Durand D9/503
D826,470 S * 8/2018 Huang D27/167
D834,694 S * 11/2018 Walter D23/366

D836,833 S * 12/2018 Simon D27/189
D847,323 S * 4/2019 Gan D23/356
D860,522 S * 9/2019 Zhan D27/167
D870,872 S * 12/2019 Takano D23/356
D879,274 S * 3/2020 Hu D23/356
D881,367 S * 4/2020 Kihm D23/366
D886,268 S * 6/2020 Montagnino D23/356
D916,262 S * 4/2021 Wang D23/356
D917,292 S * 4/2021 Blomberg D9/504
D919,064 S * 5/2021 Wang D23/356
2018/0332892 A1* 11/2018 Beaver B65D 25/02

* cited by examiner

Primary Examiner — Marissa J Cash
Assistant Examiner — Rebecca Tsehaye

(74) *Attorney, Agent, or Firm* — Gurr Brande & Spendlove, PLLC; Robert A. Gurr

(57) **CLAIM**

The ornamental design for a cartridge for electronic cigarette liquid, as shown and described.

DESCRIPTION

FIG. 1 is a top, front perspective view of the cartridge for electronic cigarette liquid;
FIG. 2 is a front elevation view of the cartridge for electronic cigarette liquid, the rear being a mirror image thereof;
FIG. 3 is a right, side elevation view of the cartridge for electronic cigarette liquid, the left side being a mirror image thereof;
FIG. 4 is a top plan view of the cartridge for electronic cigarette liquid; and,
FIG. 5 is a bottom plan view of the cartridge for electronic cigarette liquid.
The broken lines shown in the drawings are for the purpose of illustrating portions of the cartridge for electronic cigarette liquid that form no part of the claimed design.

1 Claim, 3 Drawing Sheets

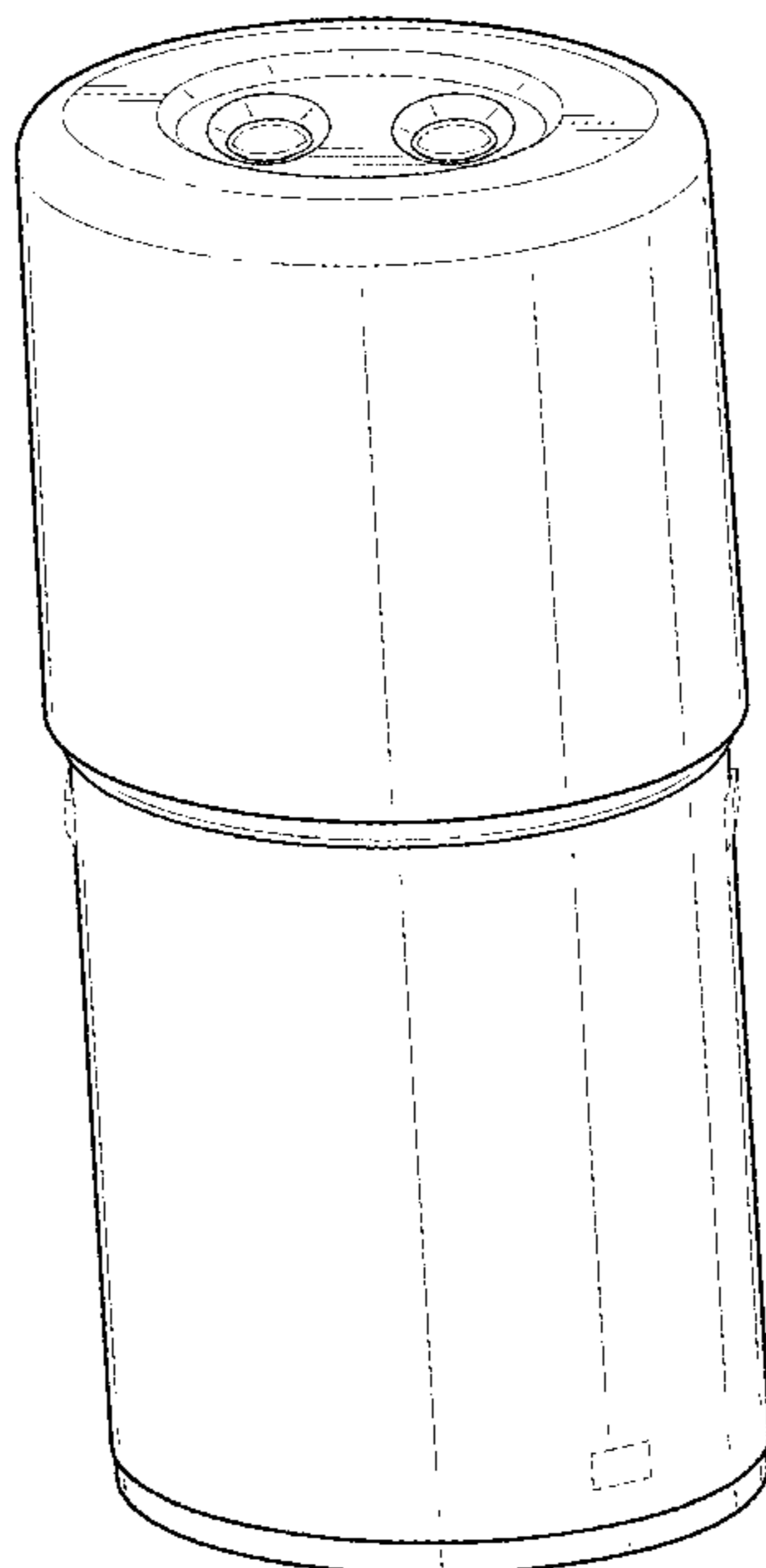


FIG. 1

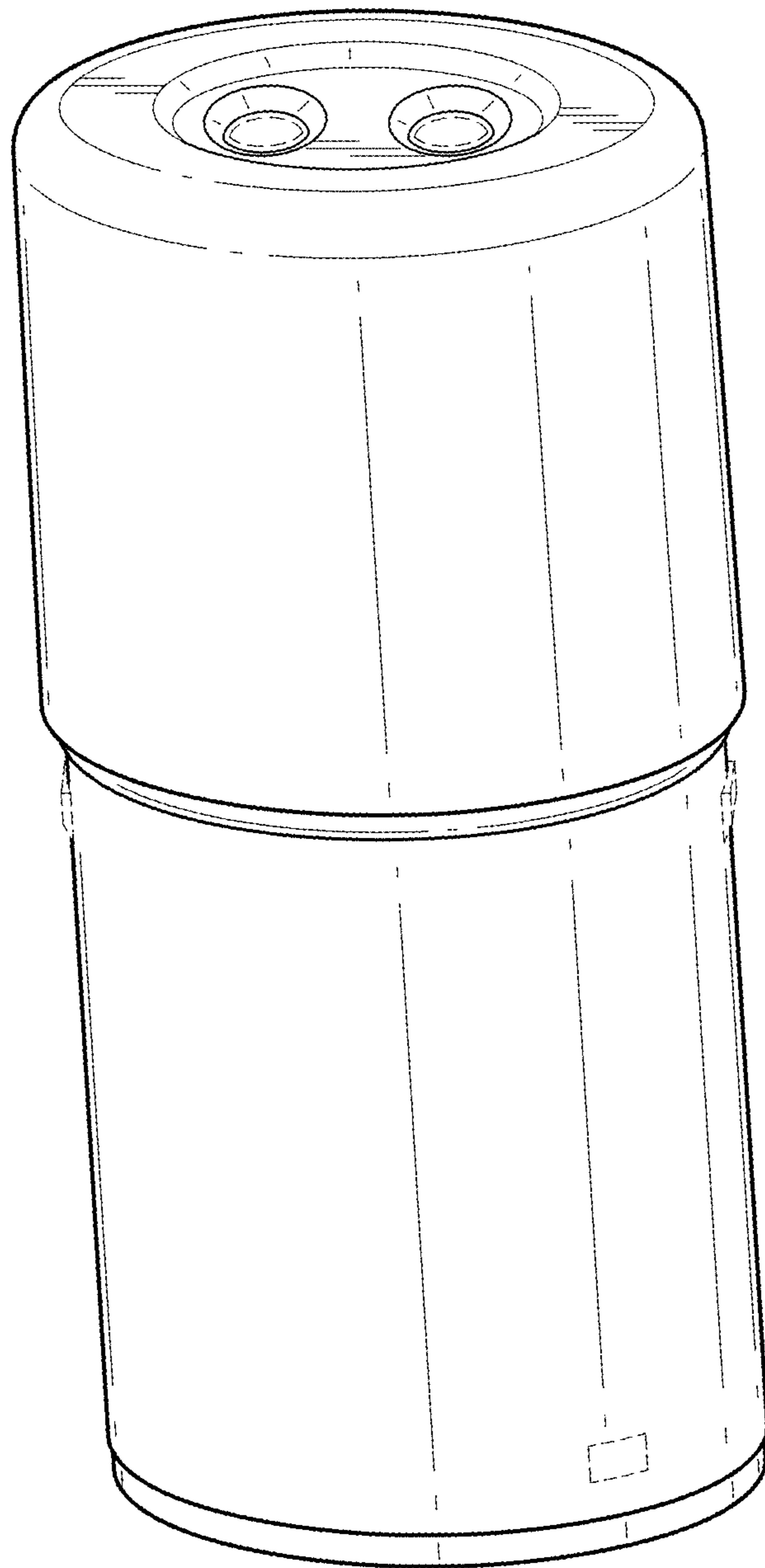


FIG. 2

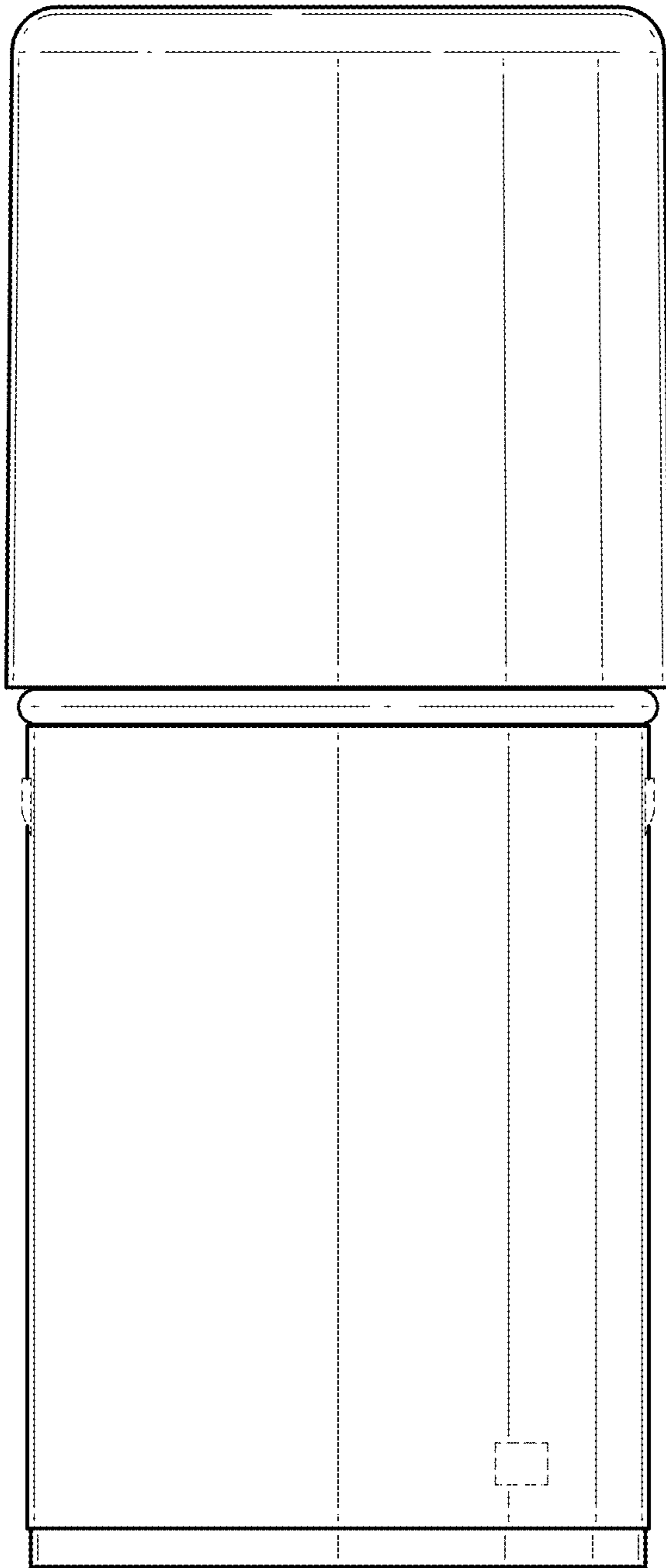


FIG. 3

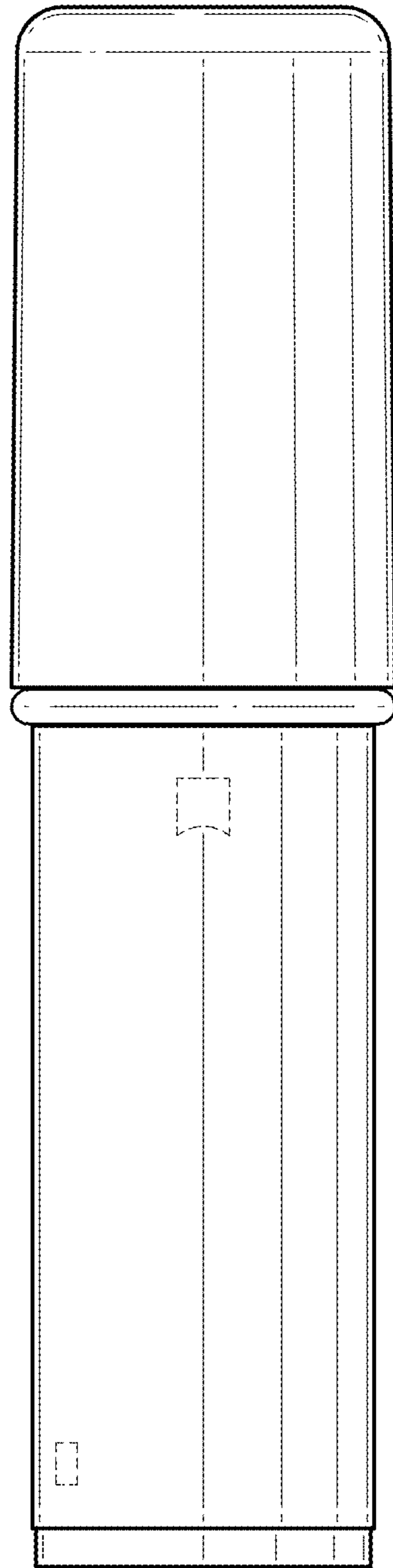


FIG. 4

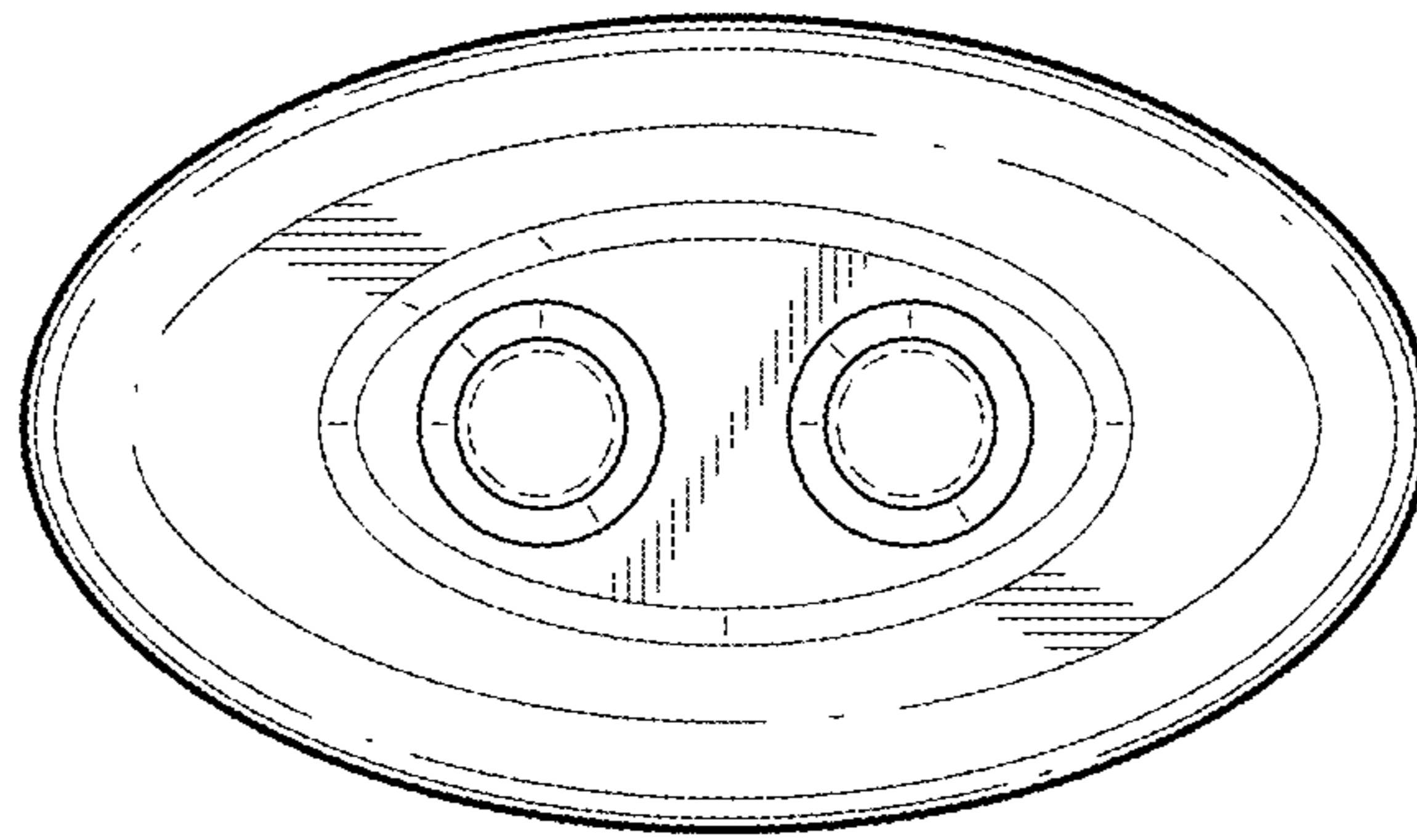
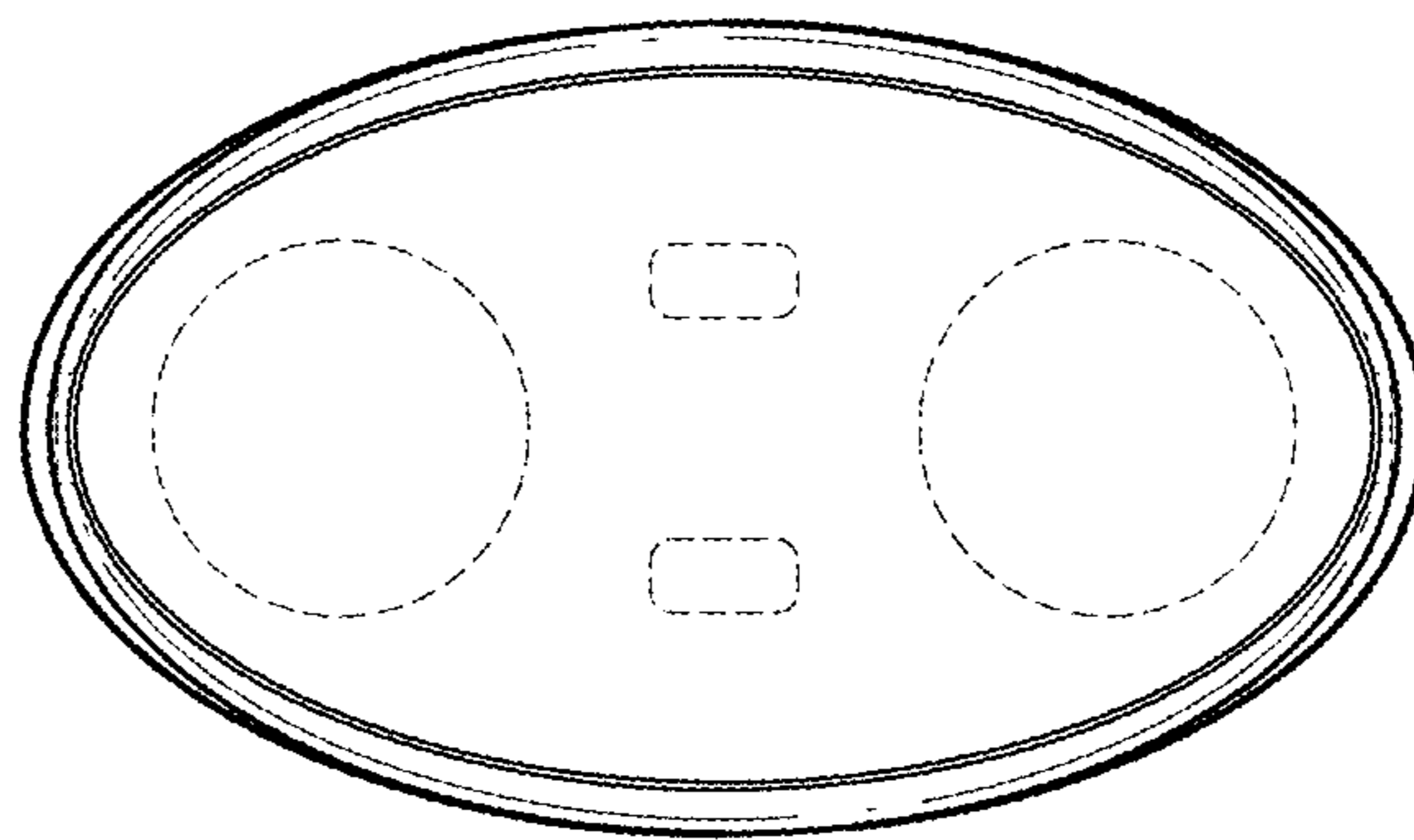


FIG. 5



UNITED STATES PATENT AND TRADEMARK OFFICE
CERTIFICATE OF CORRECTION

PATENT NO. : D943,819 S
APPLICATION NO. : 29/764274
DATED : February 15, 2022
INVENTOR(S) : Victor Shelton Sanna Pinto et al.

Page 1 of 1

It is certified that error appears in the above-identified patent and that said Letters Patent is hereby corrected as shown below:

On the Title Page

Under Item (12):

Pinto

Should read:

Pinto et al.

Inventor, Item (72) currently reads:

Victor Shelton Sanna Pinto,

Sao Paulo, BR

Should now read:

Victor Shelton Sanna Pinto,

Sao Paulo, BR

Lipei Tan

Guangming Shenzhen City, CN

Signed and Sealed this

Sixth Day of June, 2023



Katherine Kelly Vidal

Director of the United States Patent and Trademark Office