



US00D943817S

(12) **United States Design Patent**
Rule et al.

(10) **Patent No.:** **US D943,817 S**

(45) **Date of Patent:** **** Feb. 15, 2022**

(54) **HOOKAH**

(71) Applicant: **STUNDENGLASS TECHNOLOGIES, LLC**, Los Angeles, CA (US)

(72) Inventors: **Christiaan Rule**, New York, NY (US); **David Vuong**, New York, NY (US); **Christopher Folkerts**, Santa Monica, CA (US); **Gabriel Alvarez**, Guaynabo, PR (US); **Tracey Huston**, Georgetown, TX (US); **Michael Trzeciecki**, Toronto (CA)

(73) Assignee: **GS Holistic, LLC**, Los Angeles, CA (US)

(**) Term: **15 Years**

(21) Appl. No.: **29/749,087**

(22) Filed: **Sep. 2, 2020**

(51) **LOC (13) Cl.** **27-02**

(52) **U.S. Cl.**
USPC **D27/162**

(58) **Field of Classification Search**
USPC D27/162, 100, 103, 163–165, 167, 169, D27/180, 183, 194; D23/360, 366; D7/300, 314
CPC A24F 1/30; A24F 1/02; A24F 1/00; A24F 47/008; A24F 47/002; A61M 11/00
See application file for complete search history.

(56) **References Cited**

U.S. PATENT DOCUMENTS

D614,755 S * 4/2010 Brewster D23/366
D720,499 S * 12/2014 Alima D27/167
10,342,255 B2 * 7/2019 Huston A24F 1/30
D872,244 S * 1/2020 Peng D23/360
D880,055 S * 3/2020 Luo D27/162

D908,954 S * 1/2021 Chen D27/162
D918,465 S * 5/2021 Van Den Bergh D27/162
D932,098 S * 9/2021 Liu D27/162
2013/0319438 A1 * 12/2013 Liu A24F 40/485
131/329
2016/0360782 A1 * 12/2016 Barrantes A47G 19/2227
2021/0289843 A1 * 9/2021 Trzeciecki A24F 1/14

OTHER PUBLICATIONS

Metal Gravity Infuser By: STUNDENGLASS found on Amazon Sep. 30, 2021 <https://www.amazon.com/St%C3%BCndenglass-Gravity-Hookah-Complete-Rotating/dp/B08M39K7ZY/ref=sr> (Jan. 18, 2021).*

* cited by examiner

Primary Examiner — Marissa J Cash
Assistant Examiner — Rebecca Tsehaye

(74) *Attorney, Agent, or Firm* — Kevin Schraven; Anooj Patel; Hankin Patent Law, APC

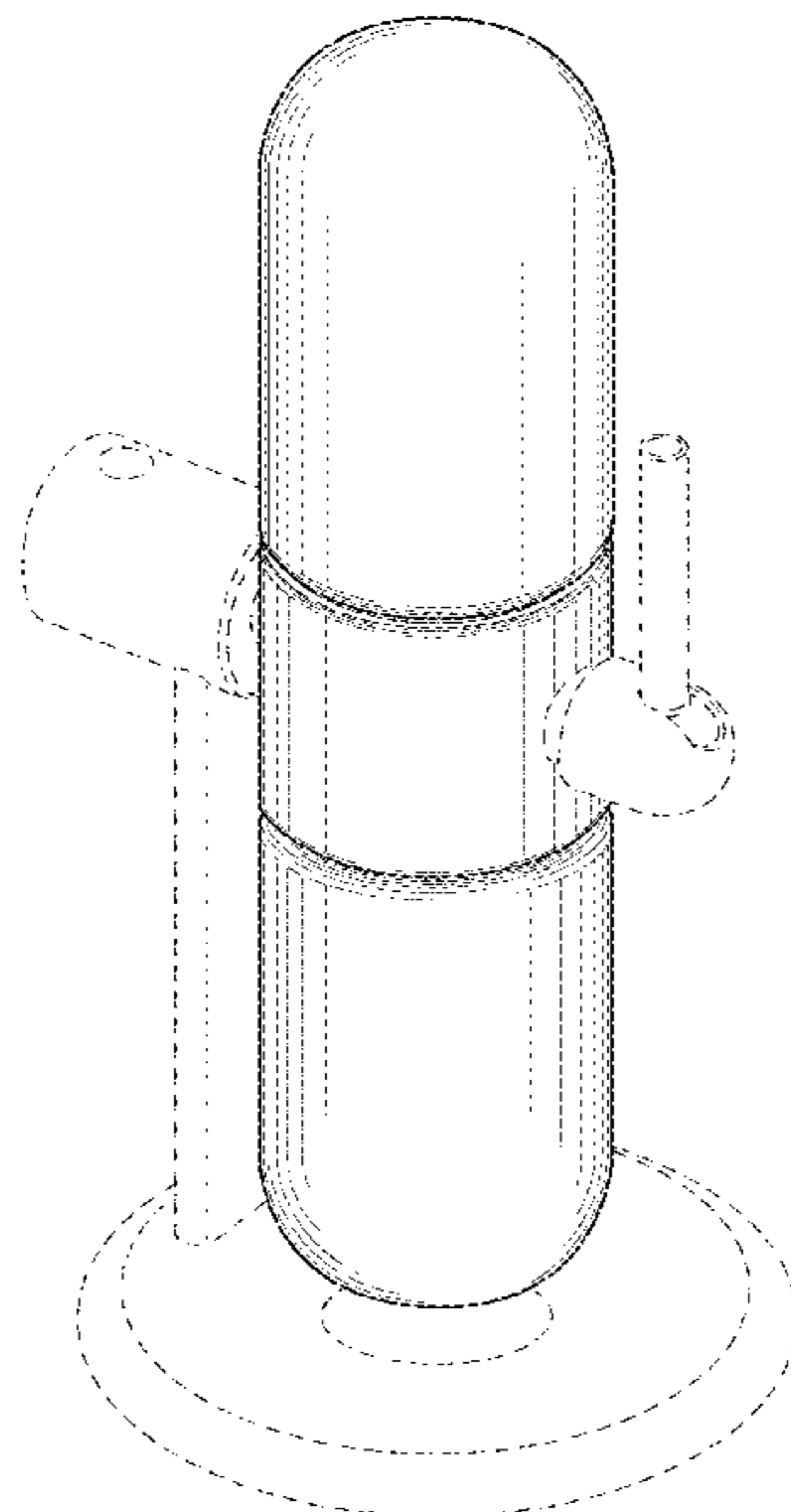
(57) **CLAIM**

The ornamental design for a hookah, as shown and described.

DESCRIPTION

FIG. 1 is top perspective view of an embodiment of a hookah, showing our new design.
FIG. 2 is a bottom perspective view thereof.
FIG. 3 is a left side elevational view thereof.
FIG. 4 is a right side elevational view thereof.
FIG. 5 is a front elevational view thereof.
FIG. 6 is a rear elevational view thereof.
FIG. 7 is a top plan view thereof; and,
FIG. 8 is a bottom plan view thereof.
The broken lines in the drawings depict portions of the hookah that form no part of the claimed design.

1 Claim, 8 Drawing Sheets



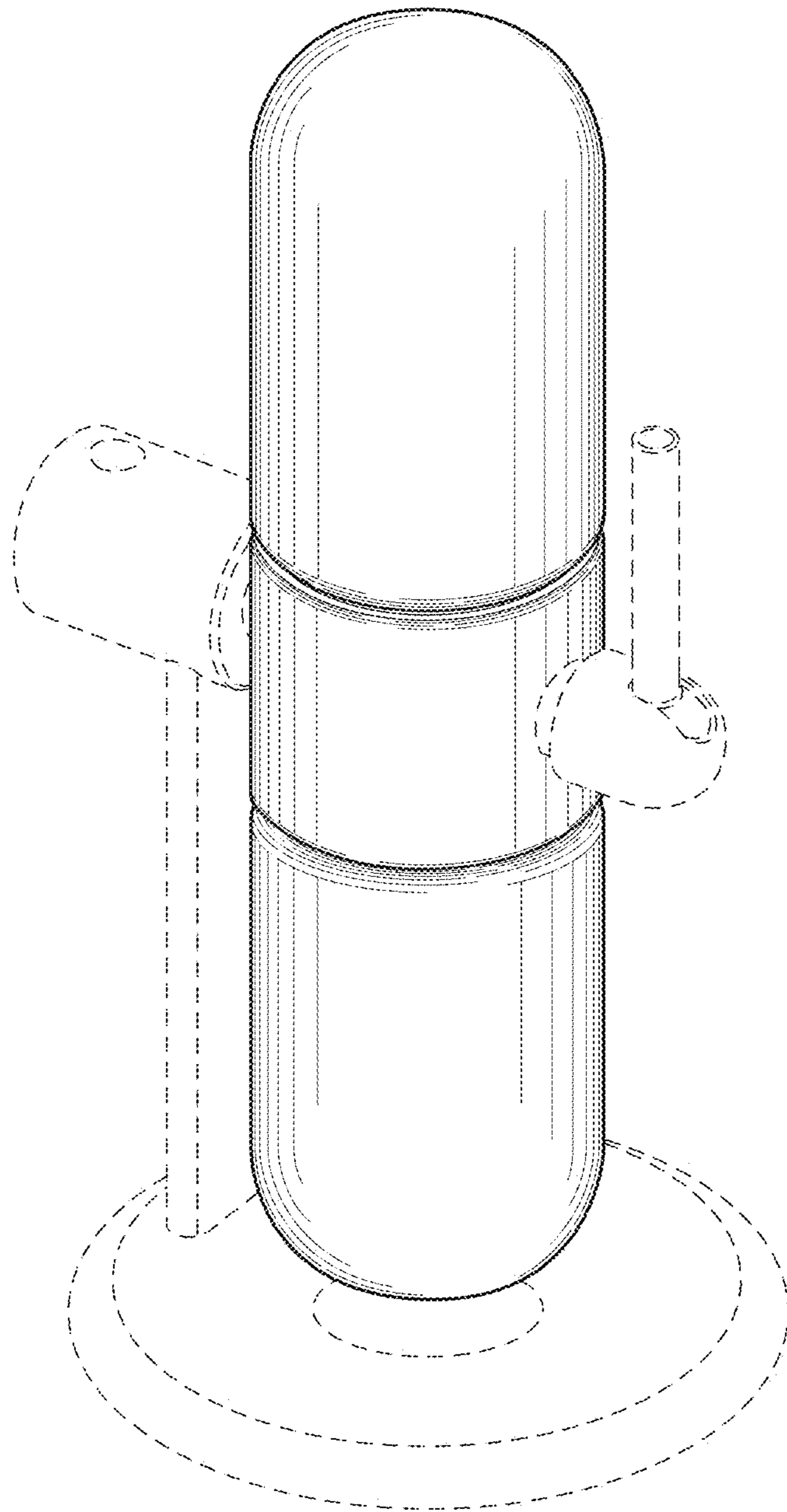


Fig. 1

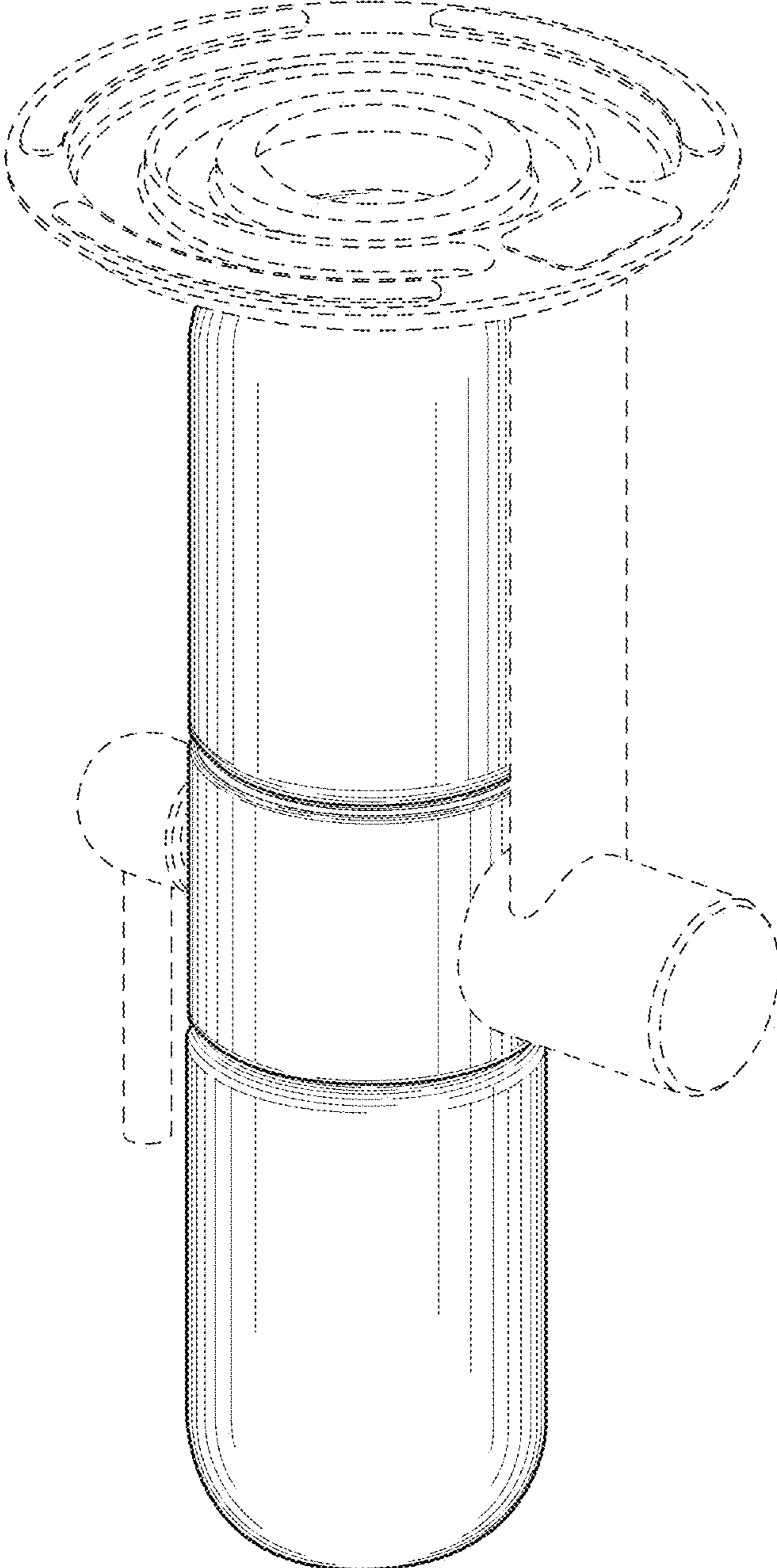


Fig.2

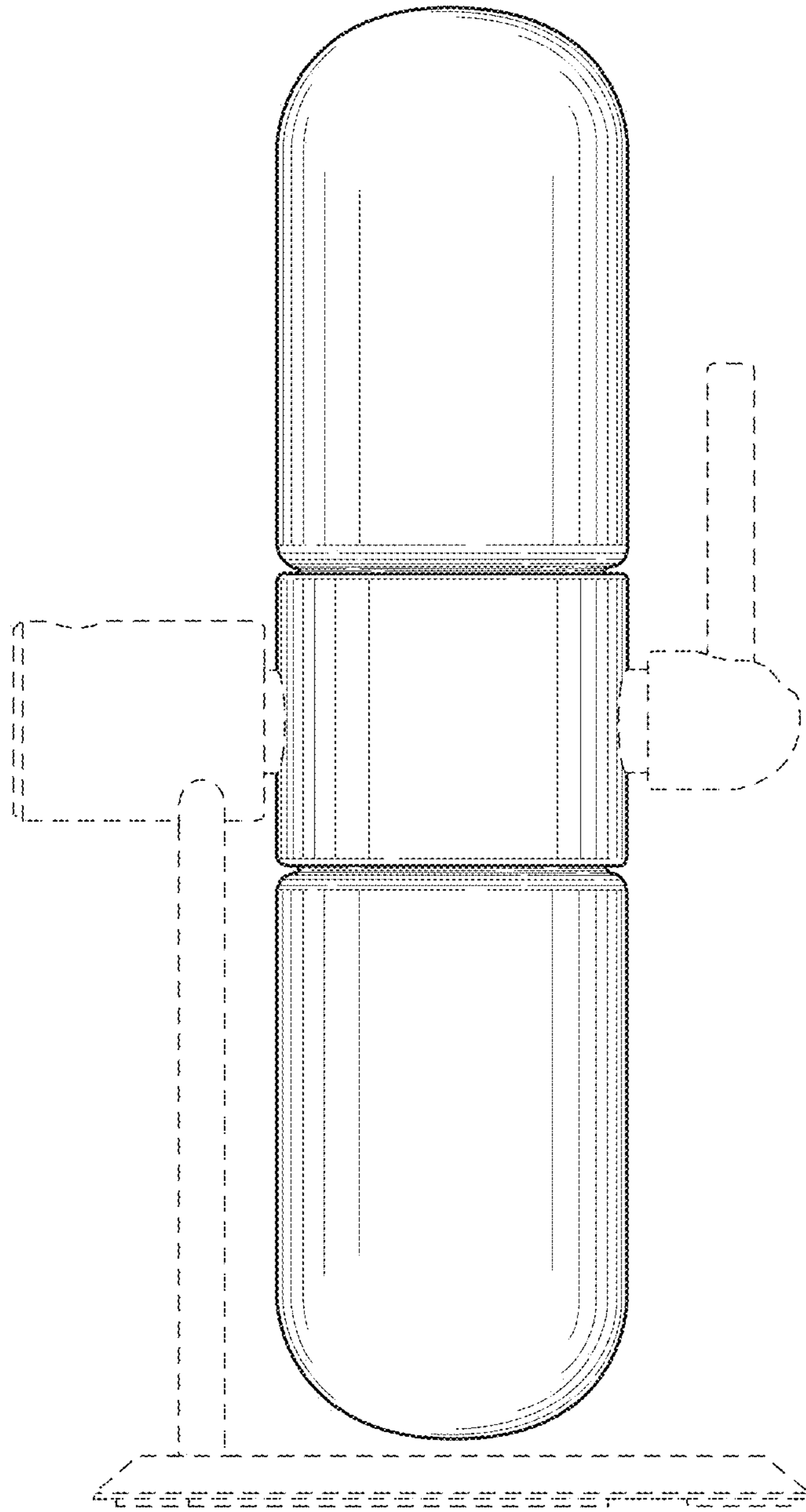


Fig.3

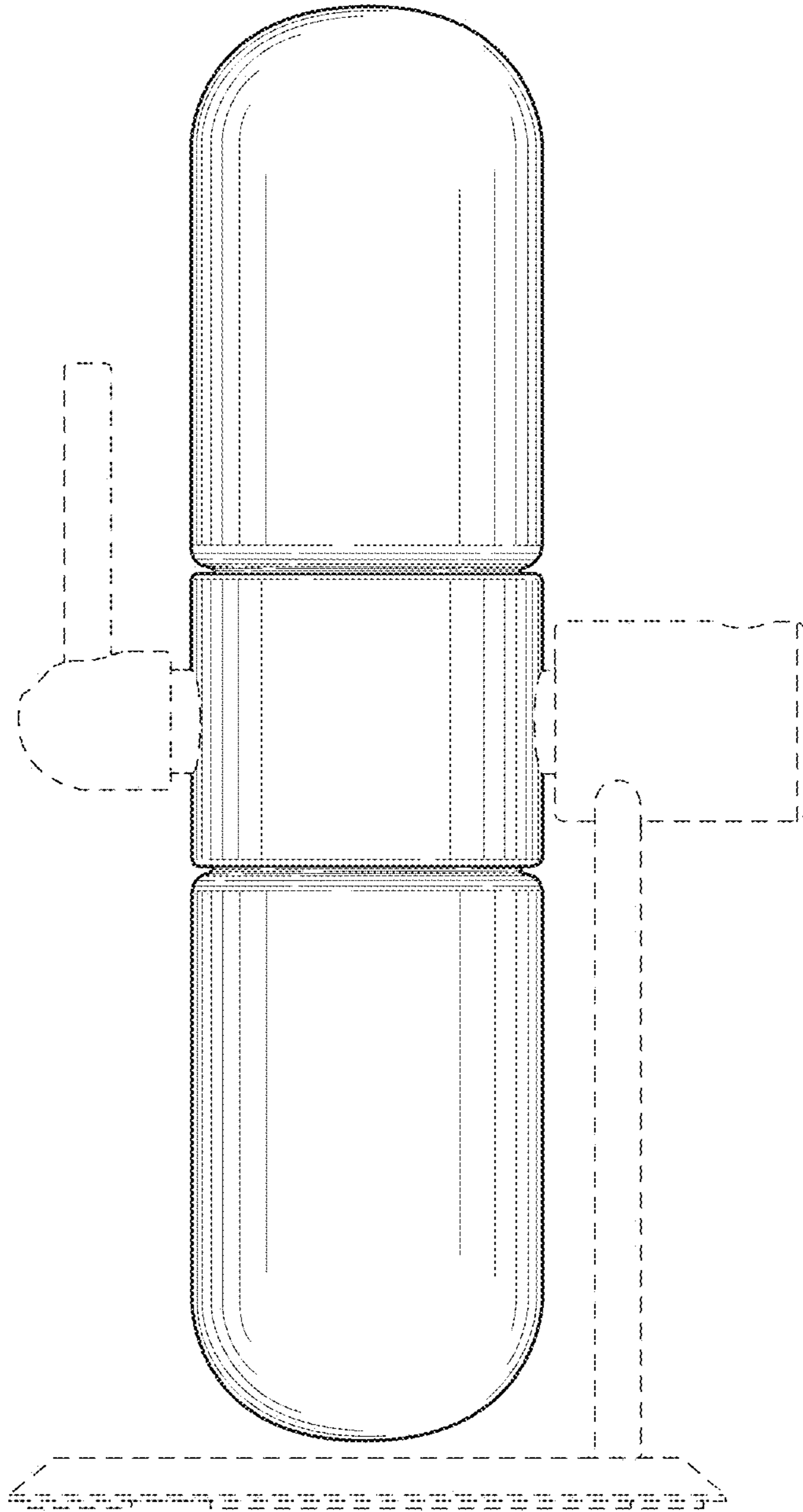


Fig.4

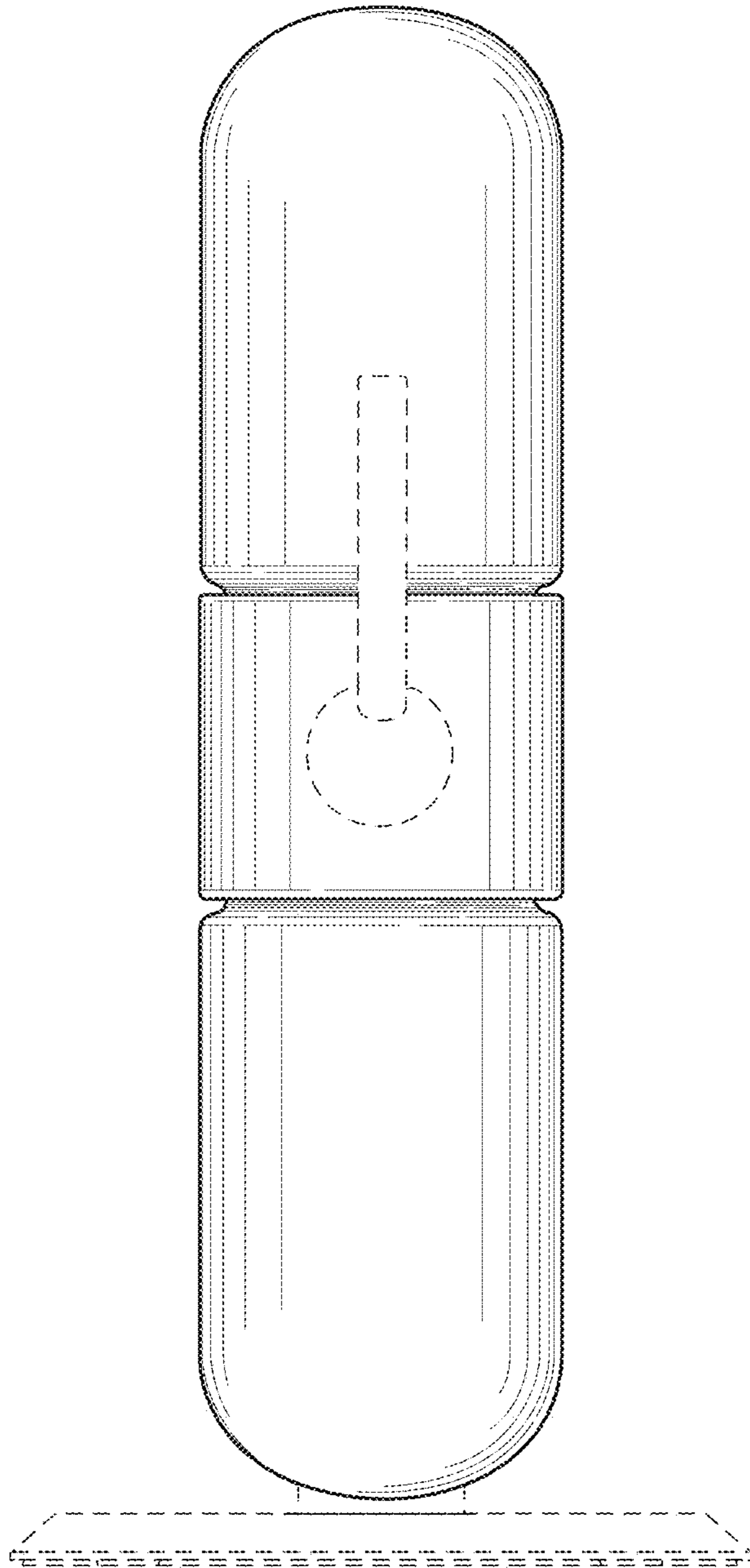


Fig.5

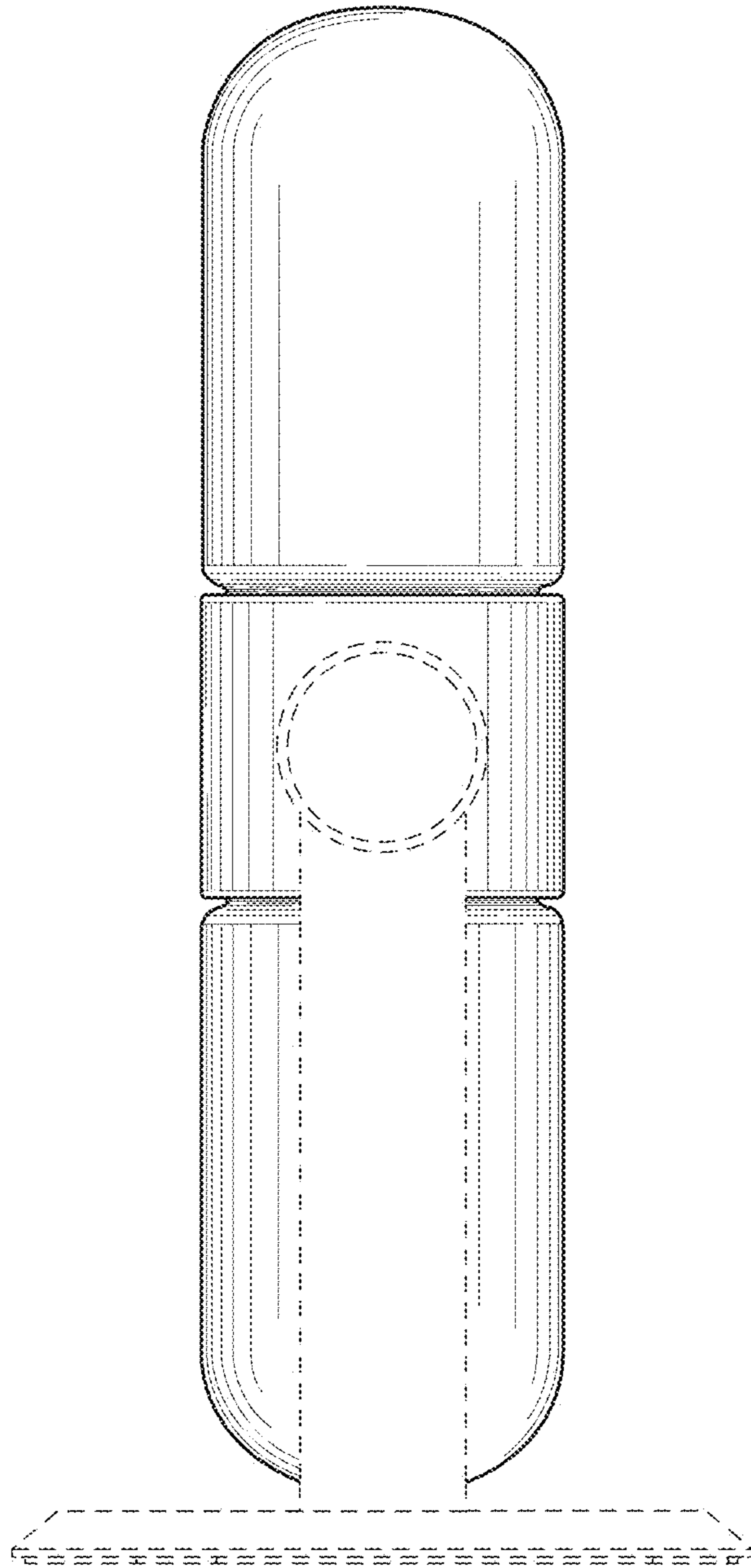


Fig.6

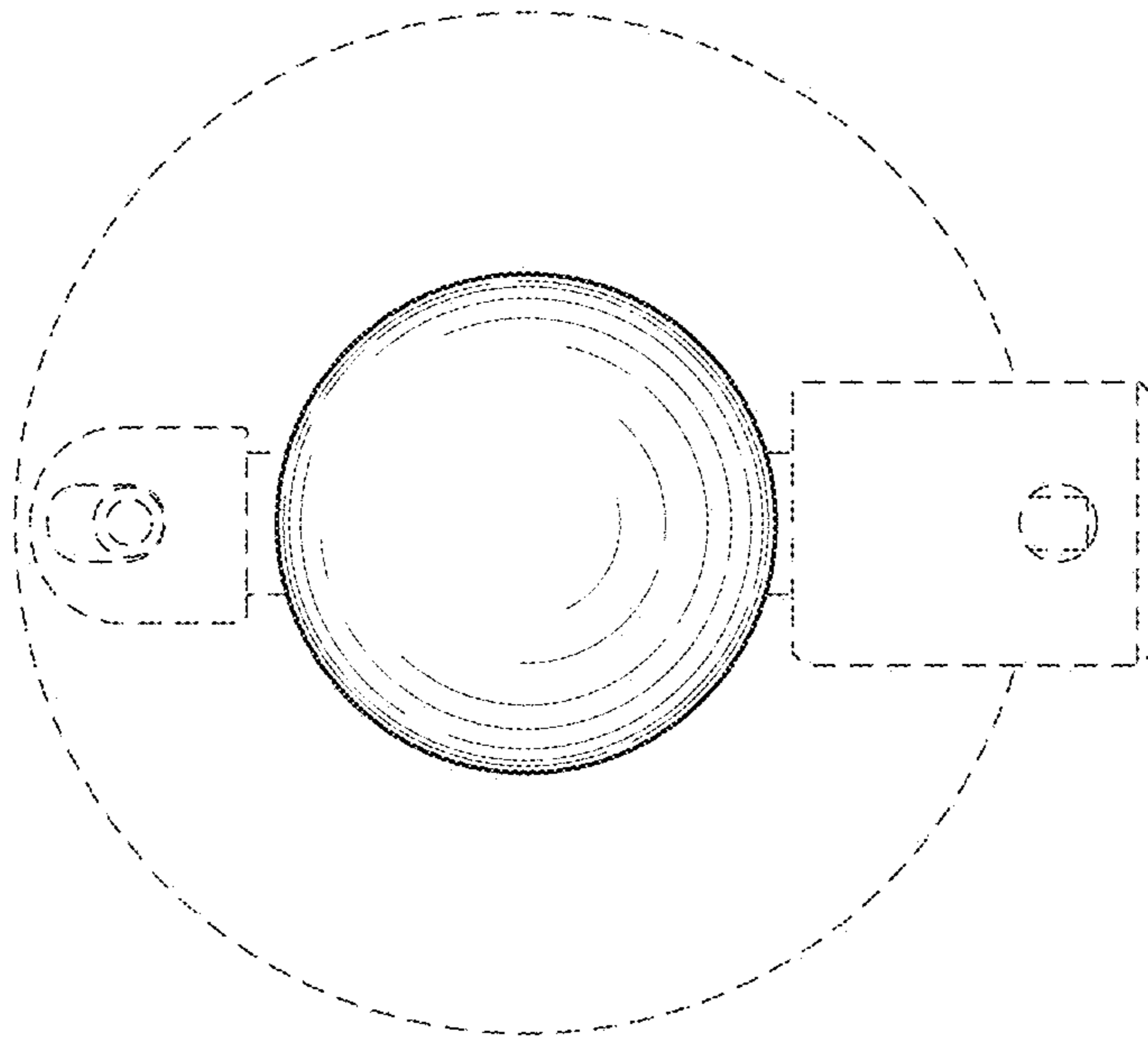


Fig. 7

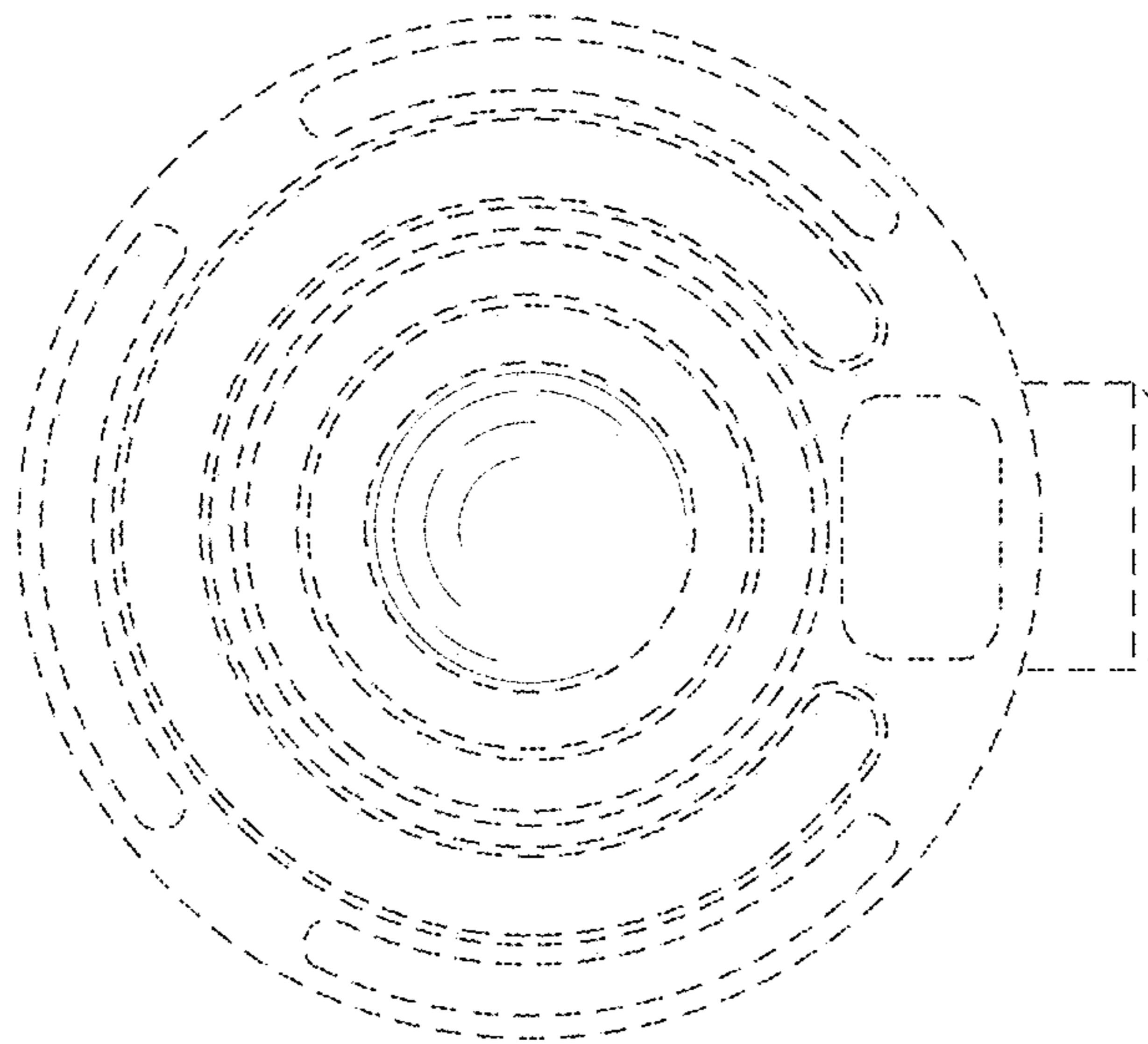


Fig. 8