



US00D943815S

(12) **United States Design Patent** (10) **Patent No.:** **US D943,815 S**
Liu (45) **Date of Patent:** **** Feb. 15, 2022**

(54) **ATOMIZING CORE FOR ELECTRONIC CIGARETTE**
(71) Applicant: **Shenzhen Eigate Technology Co., Ltd.**, Shenzhen (CN)
(72) Inventor: **Tuanfang Liu**, Shenzhen (CN)
(73) Assignee: **SHENZHEN EIGATE TECHNOLOGY CO., LTD.**, Shenzhen (CN)

D826,471 S * 8/2018 Wang D27/167
D836,243 S * 12/2018 Liu D27/167
D854,739 S * 7/2019 Li D27/162
D861,978 S * 10/2019 Lai D27/167
D869,752 S * 12/2019 Dong D27/162
D881,456 S * 4/2020 Chen D27/162
D883,567 S * 5/2020 Liu D27/162
D887,540 S * 6/2020 Bhardwaj D23/360
D900,387 S * 10/2020 Liu D27/162
D917,778 S * 4/2021 Liu D27/162

(Continued)

(**) Term: **15 Years**

(21) Appl. No.: **29/740,431**

(22) Filed: **Jul. 3, 2020**

(30) **Foreign Application Priority Data**

Jan. 4, 2020 (CN) 202030004242.4

(51) **LOC (13) Cl.** **27-02**

(52) **U.S. Cl.**
USPC **D27/162**

(58) **Field of Classification Search**
USPC D27/162, 100, 101, 163-165, 169, 172, D27/180-183, 185-194; D24/110, 110.5; D23/356, 360, 363, 366
CPC A24F 47/00; A24F 47/02; A24F 47/04; A24F 47/08; A61M 15/0001; A61M 15/001; A61M 15/0028; A61M 15/00; A61M 15/06
See application file for complete search history.

(56) **References Cited**

U.S. PATENT DOCUMENTS

D370,300 S * 5/1996 Gottvald D27/172
D710,488 S * 8/2014 Alima D23/363
D740,488 S * 10/2015 Leidel D27/167
D752,281 S * 3/2016 Alima D27/167
D773,621 S * 12/2016 Gill D23/259
D811,652 S * 2/2018 Liu D27/167

OTHER PUBLICATIONS

Joyetech NotchCore Atomizer Tank By: Joyetech found on line Jul. 15, 2021 <https://store.joyetech.com/joyetech-notchcore-atomizer-kit-2-5ml.html>.*

Primary Examiner — Marissa J Cash
Assistant Examiner — Rebecca Tsehaye
(74) *Attorney, Agent, or Firm* — Matthias Scholl P.C.; Matthias Scholl

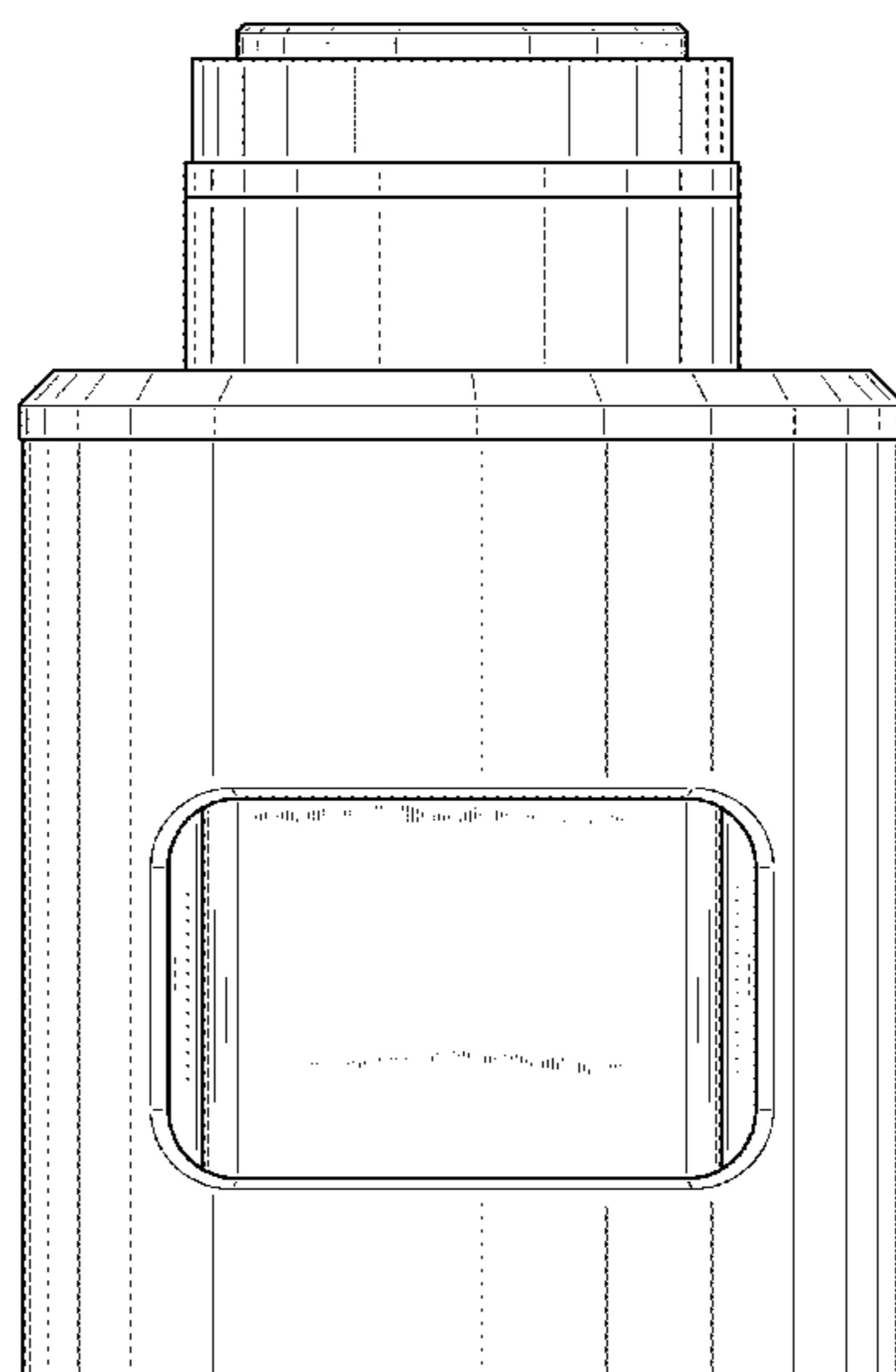
(57) **CLAIM**

The ornamental design for an atomizing core for an electronic cigarette, as shown and described.

DESCRIPTION

FIG. 1 is a front elevation view of an atomizing core for an electronic cigarette;
FIG. 2 is a rear elevation view thereof;
FIG. 3 is a left-side elevation view thereof;
FIG. 4 is a right-side elevation view thereof;
FIG. 5 is a top plan view thereof;
FIG. 6 is a bottom plan view thereof;
FIG. 7 is a perspective view thereof; and,
FIG. 8 is a bottom perspective view thereof.
The broken lines shown in the drawings depict portions of the atomizing core for electronic cigarette that form no part of the claimed design.

1 Claim, 8 Drawing Sheets



(56)

References Cited

U.S. PATENT DOCUMENTS

D921,974 S *	6/2021	Li	D27/162
D923,867 S *	6/2021	Liu	D27/167
D926,360 S *	7/2021	Liu	D27/162
D928,397 S *	8/2021	Liu	D27/162
2018/0192699 A1 *	7/2018	Wang	A24F 40/46
2019/0124990 A1 *	5/2019	Qiu	A24F 40/485

* cited by examiner

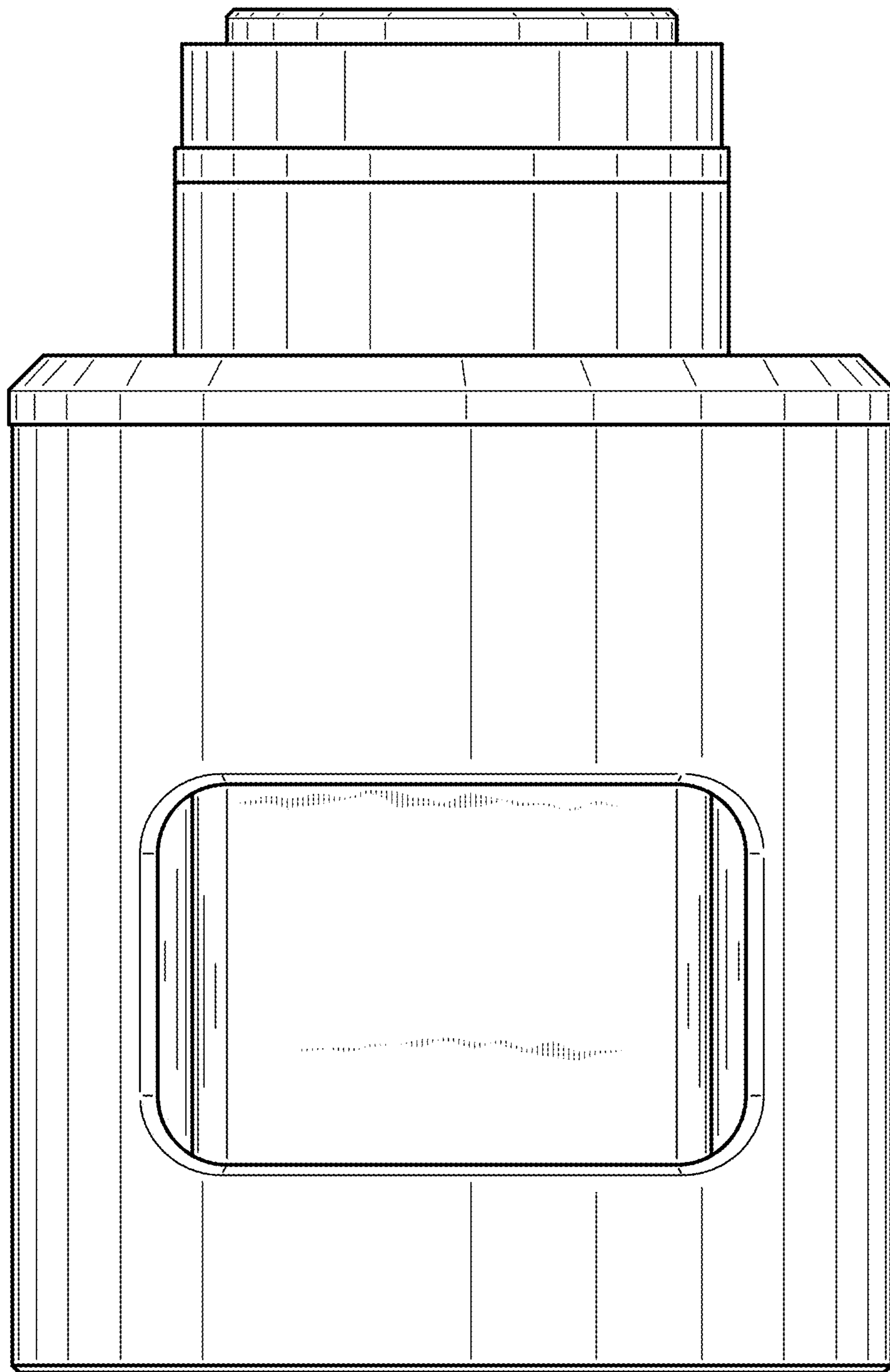


FIG. 1

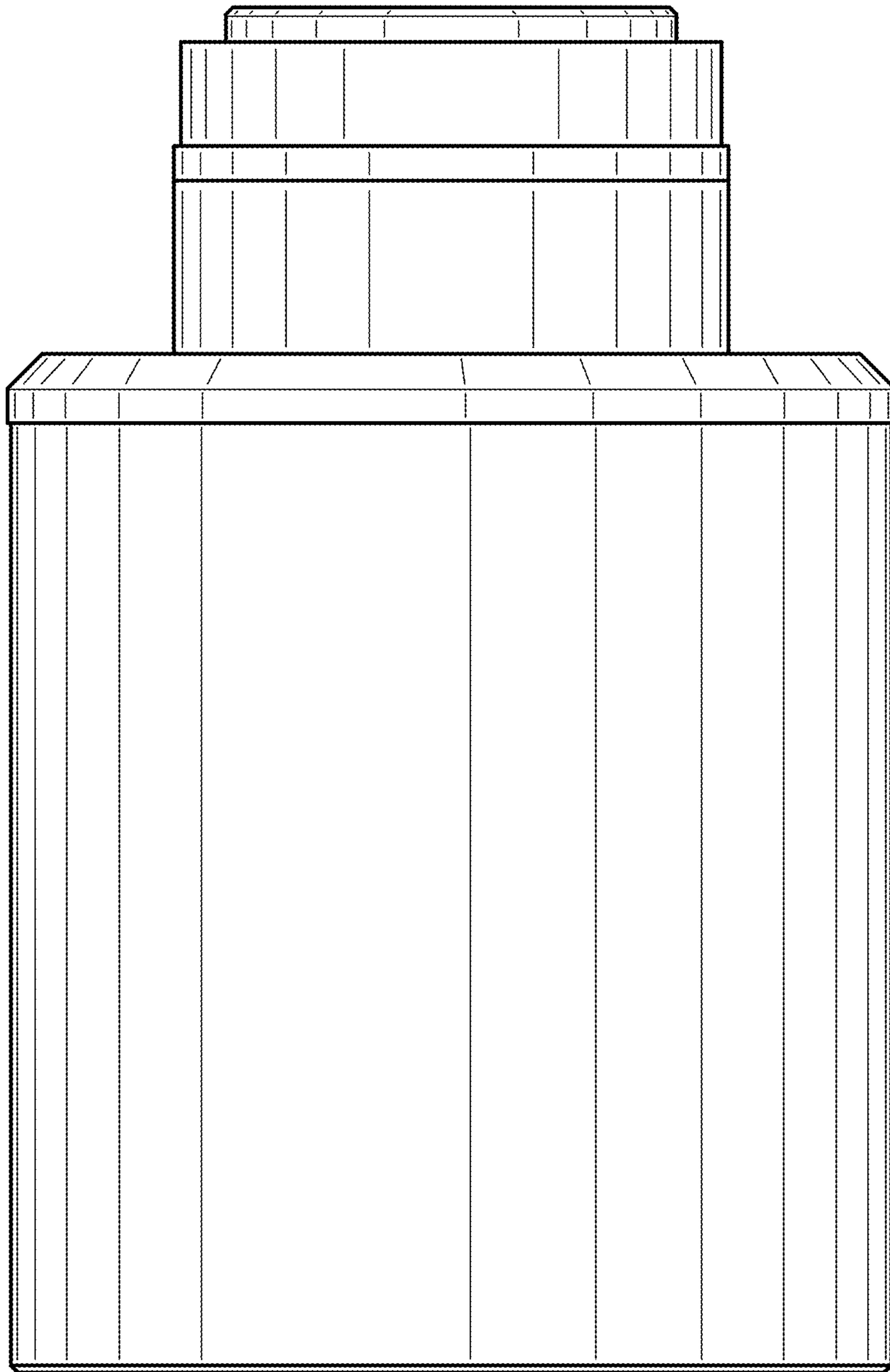


FIG. 2

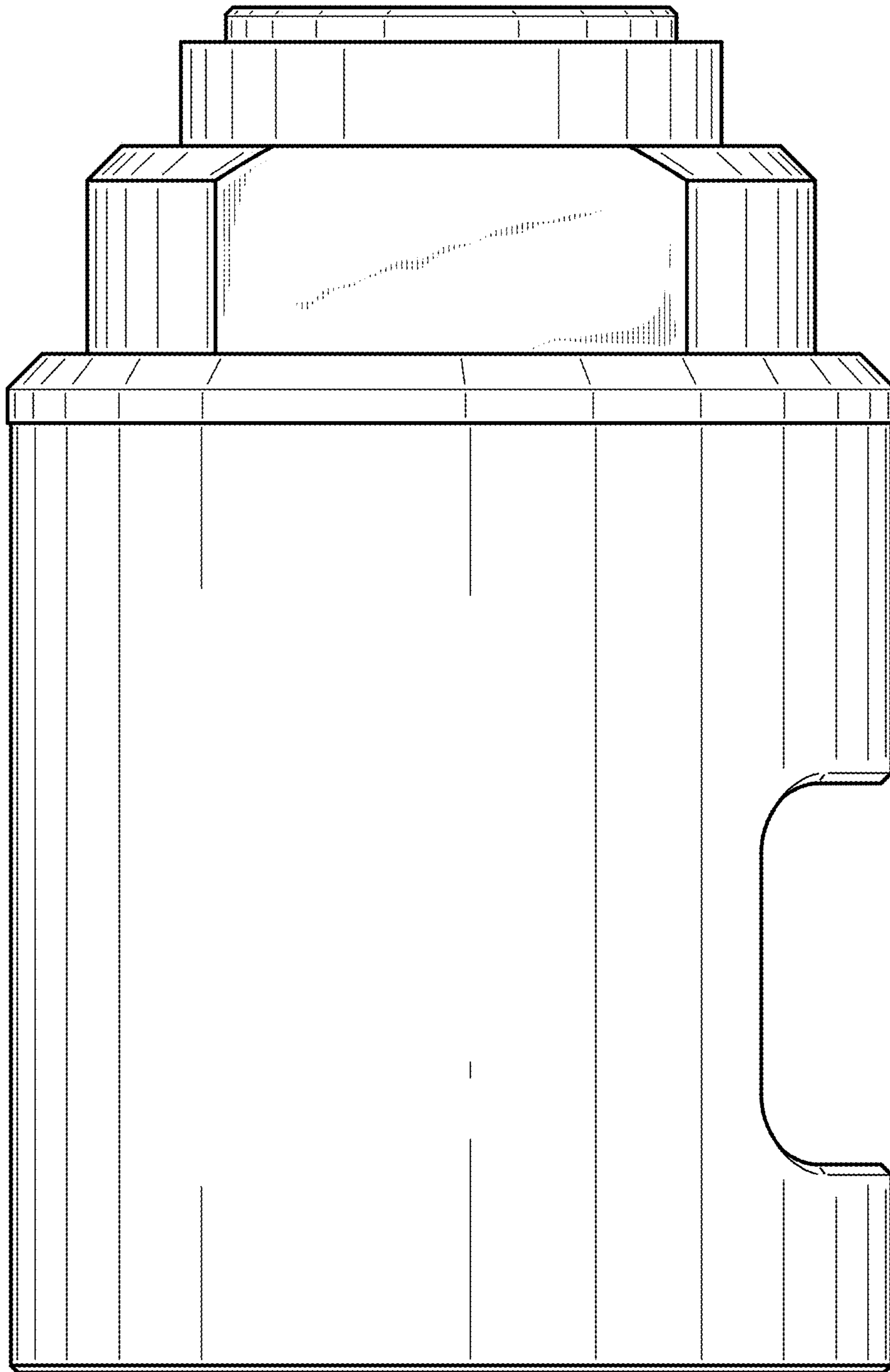


FIG. 3

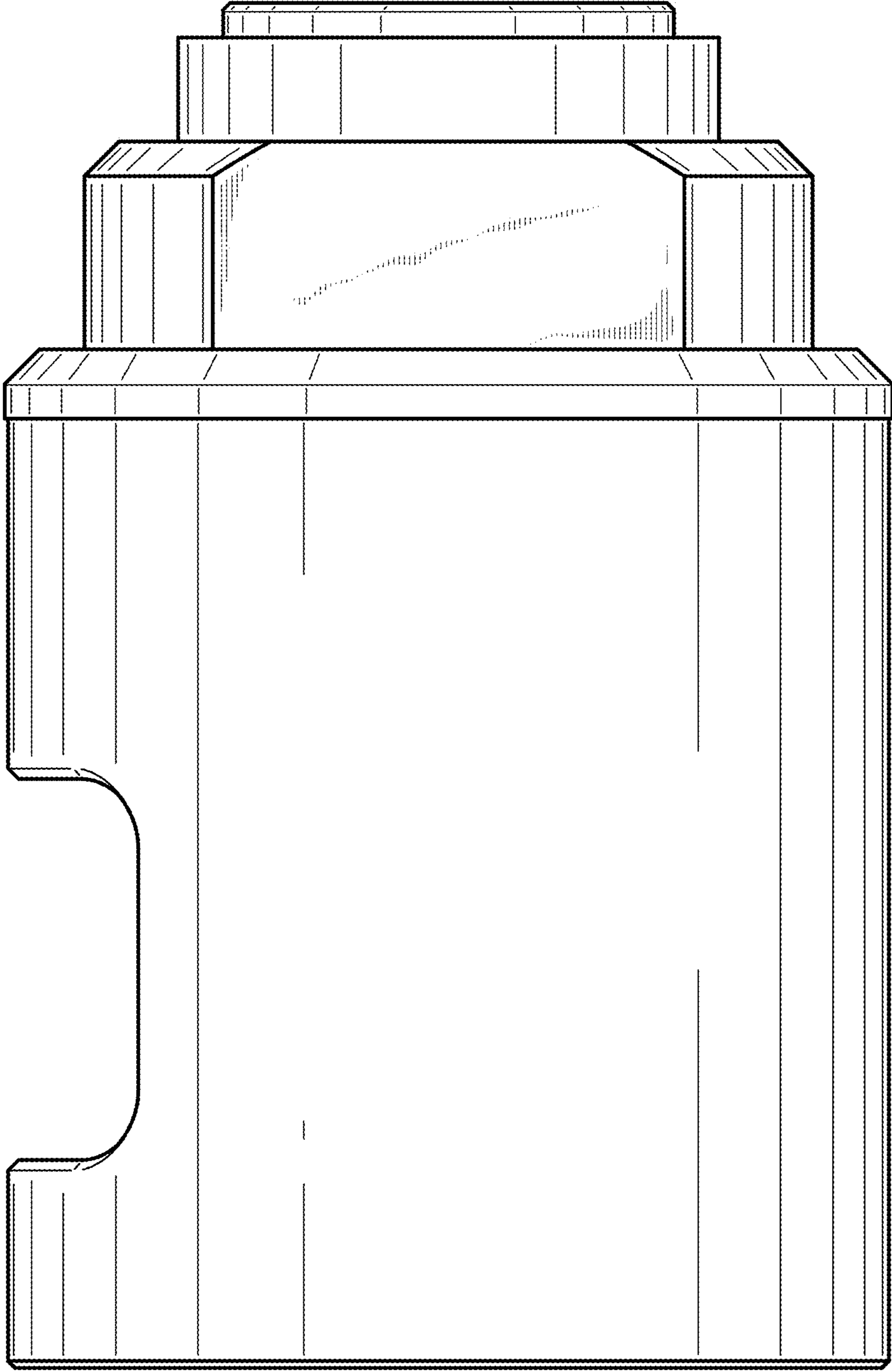


FIG. 4

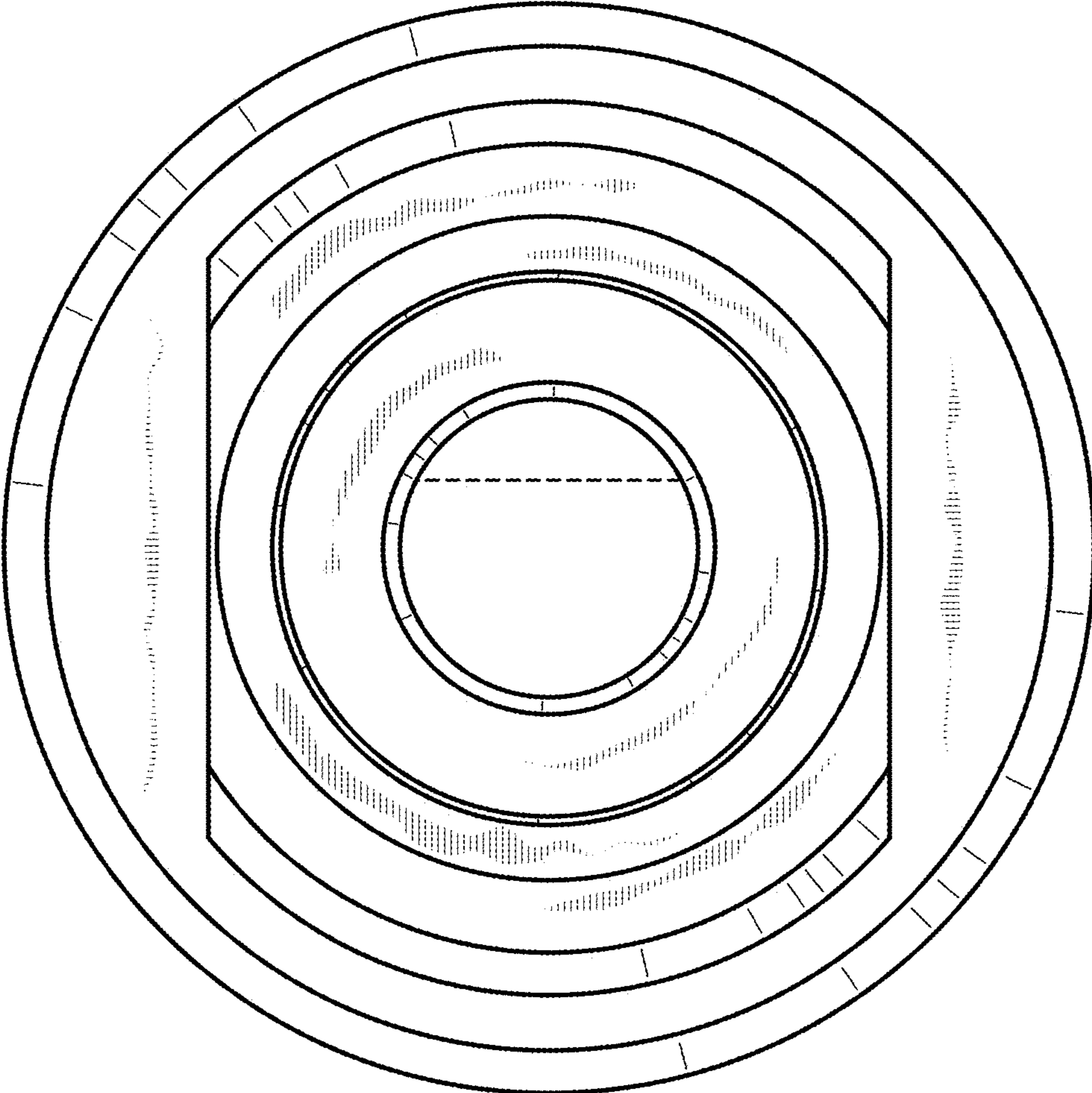


FIG. 5

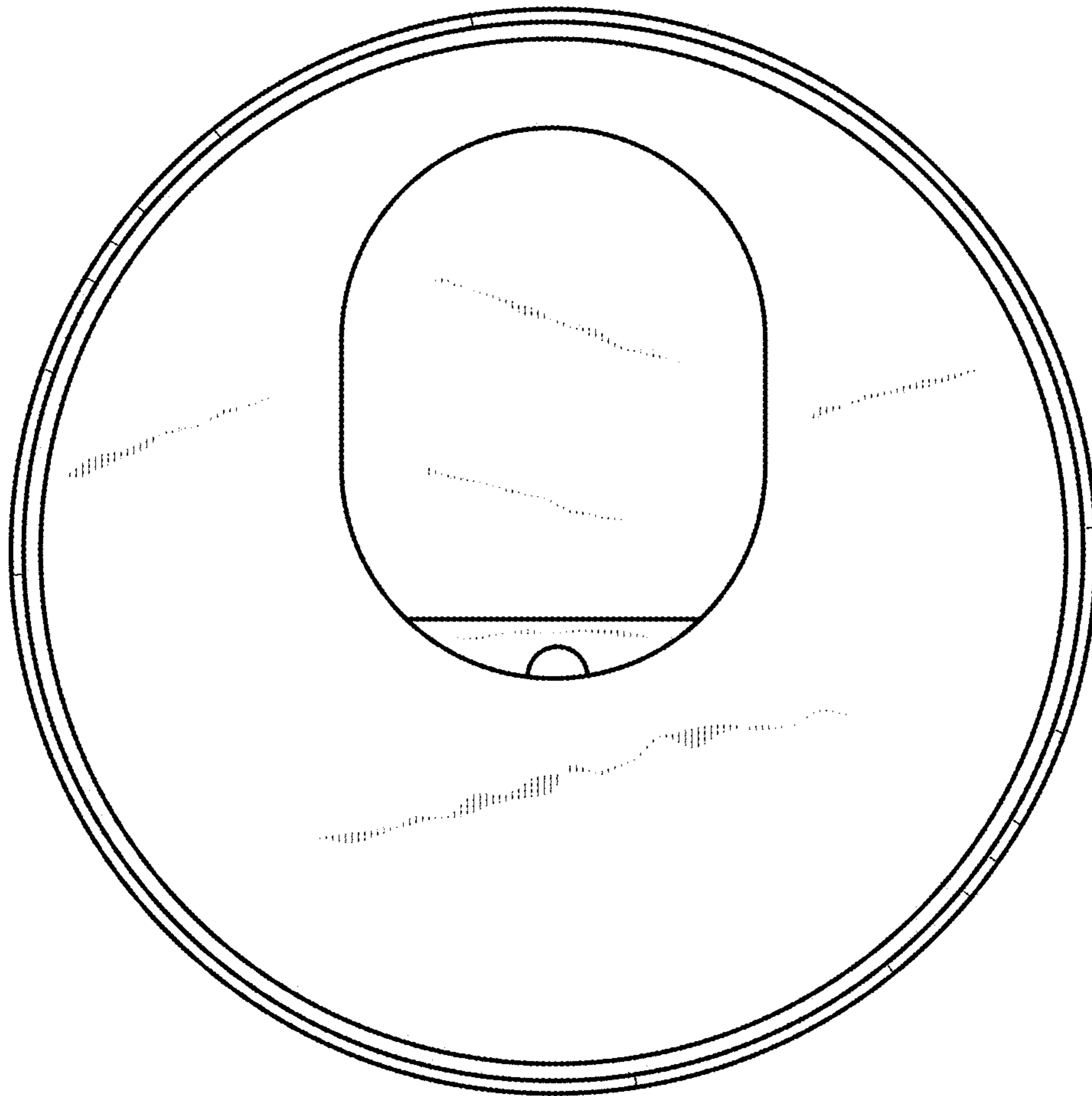


FIG. 6

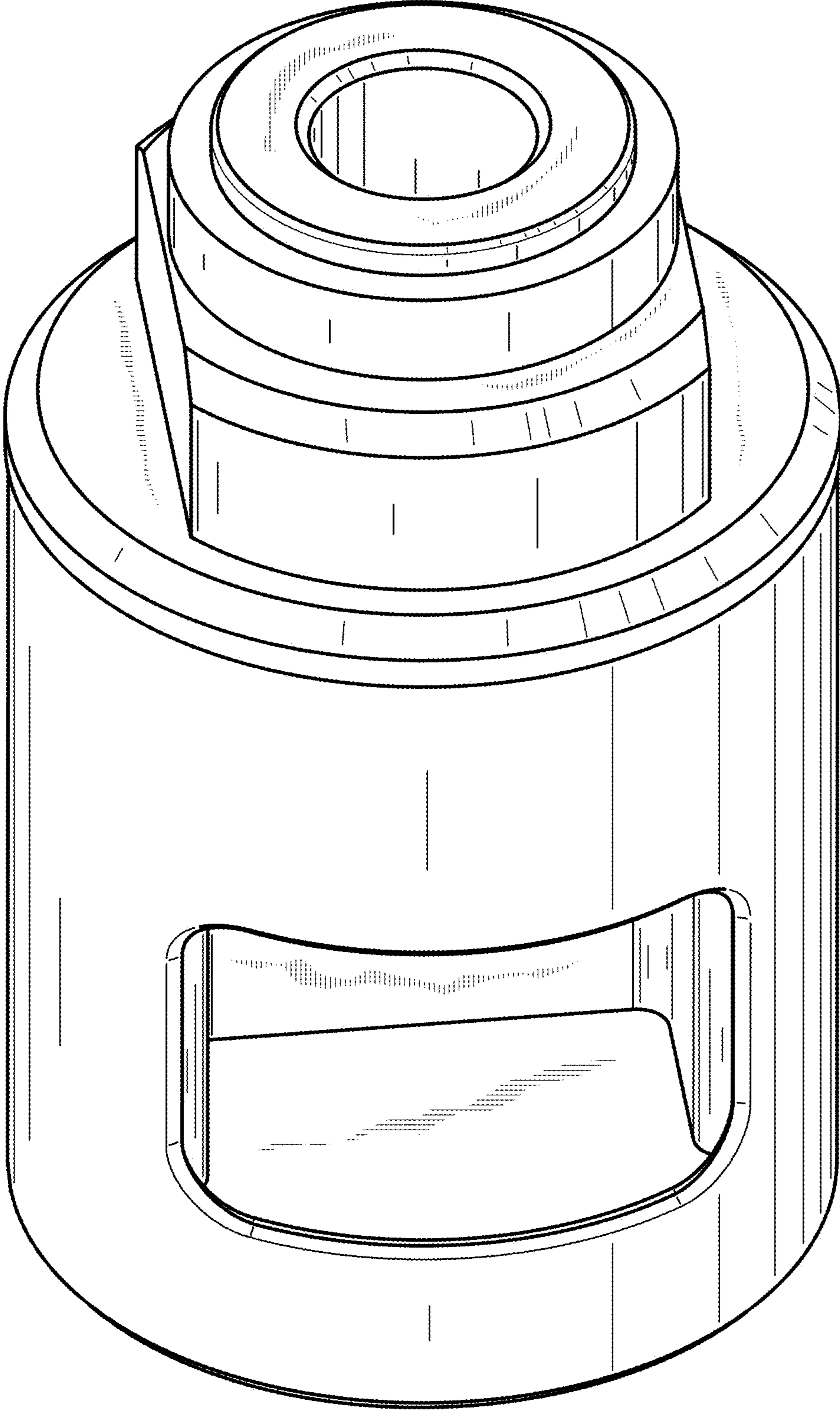


FIG. 7

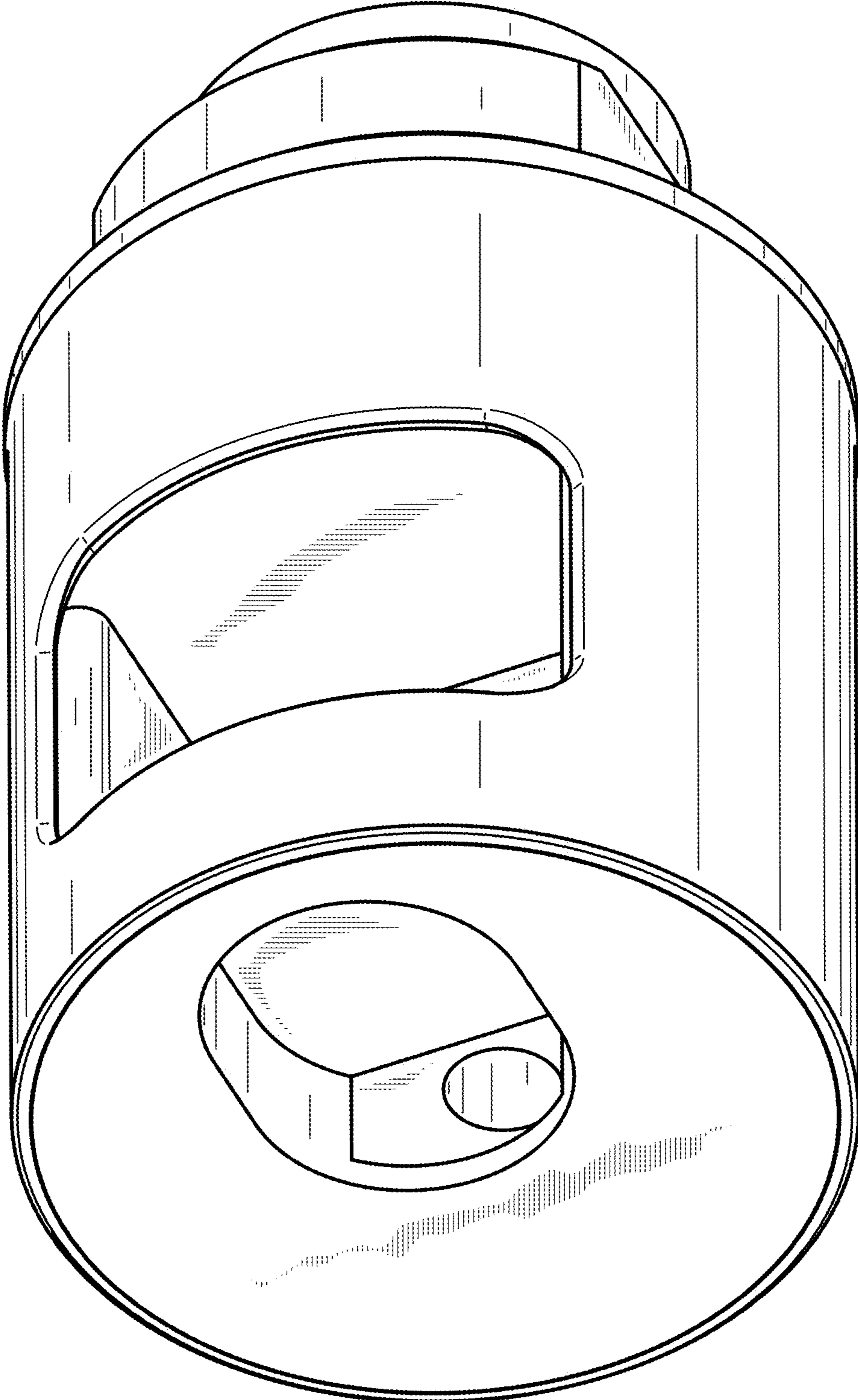


FIG. 8