



US00D943814S

(12) **United States Design Patent** (10) **Patent No.:** **US D943,814 S**
Liu (45) **Date of Patent:** **** Feb. 15, 2022**

(54) **ELECTRONIC CIGARETTE**

(71) Applicant: **Tuanfang Liu**, Shenzhen (CN)

(72) Inventor: **Tuanfang Liu**, Shenzhen (CN)

(**) Term: **15 Years**

(21) Appl. No.: **29/733,349**

(22) Filed: **May 1, 2020**

(30) **Foreign Application Priority Data**

Nov. 1, 2019 (CN) 201930601299.X

(51) **LOC (13) Cl.** **27-02**

(52) **U.S. Cl.**
USPC **D27/162**

(58) **Field of Classification Search**

USPC D27/100, 101, 102, 103, 105, 113, 114,
D27/118, 125, 127, 128, 137, 138, 142,
D27/144, 161, 162, 163, 164, 165, 166,
D27/167, 168, 169, 170, 171, 172, 173,
D27/174, 175, 176, 177, 178, 179, 180,
D27/181, 182, 183, 184, 185, 186, 187,
D27/188, 189, 190, 191, 192, 193, 194,
D27/195, 196; D23/360, 362; D28/91.1;
D24/110, 110.4–110.6, 113; D13/103,
D13/107, 108, 119; D14/240

CPC A24F 40/10; A24F 40/46; A24F 40/485;
A24F 40/40; A24F 40/44; A24F 40/42;
A24F 40/48; A24F 40/05; A24F 40/60;
A24F 40/70; A24F 15/015; A24F 40/49;
A24F 40/50; A24F 40/465; A24F 7/00;
A24F 1/00; A24F 1/02; A24F 1/32; A24F
40/20; A24F 40/30; A24F 40/51; A24F
40/57; A24F 40/95; A24F 7/02; A24F
9/16; A24F 40/90; A24F 40/53; A24F
40/65; A24F 47/00; A24F 15/01; A24F
40/00; A24F 13/00; A24F 13/14; A24F
15/18; A24F 40/85; A24F 42/80; A24F
42/60; A24F 2700/03; A24F 1/28; A24F
42/00; A24F 42/10; A24F 42/20; A24F

7/04; A61M 11/042; A61M 15/06; A61M
2205/8206; A61M 2202/0468; A61M
15/0021; A61M 2205/3653; A61M
11/005; A61M 11/04; A61M 15/0001;
A61M

(Continued)

(56) **References Cited**

U.S. PATENT DOCUMENTS

D753,336 S * 4/2016 Chen D27/101
D828,621 S * 9/2018 Qiu D27/162

(Continued)

FOREIGN PATENT DOCUMENTS

CN 201730244814 * 11/2017
CN 201930139379.8 * 8/2019

(Continued)

Primary Examiner — Marissa J Cash

Assistant Examiner — William B Melliar

(74) *Attorney, Agent, or Firm* — Matthias Scholl P.C.;
Matthias Scholl

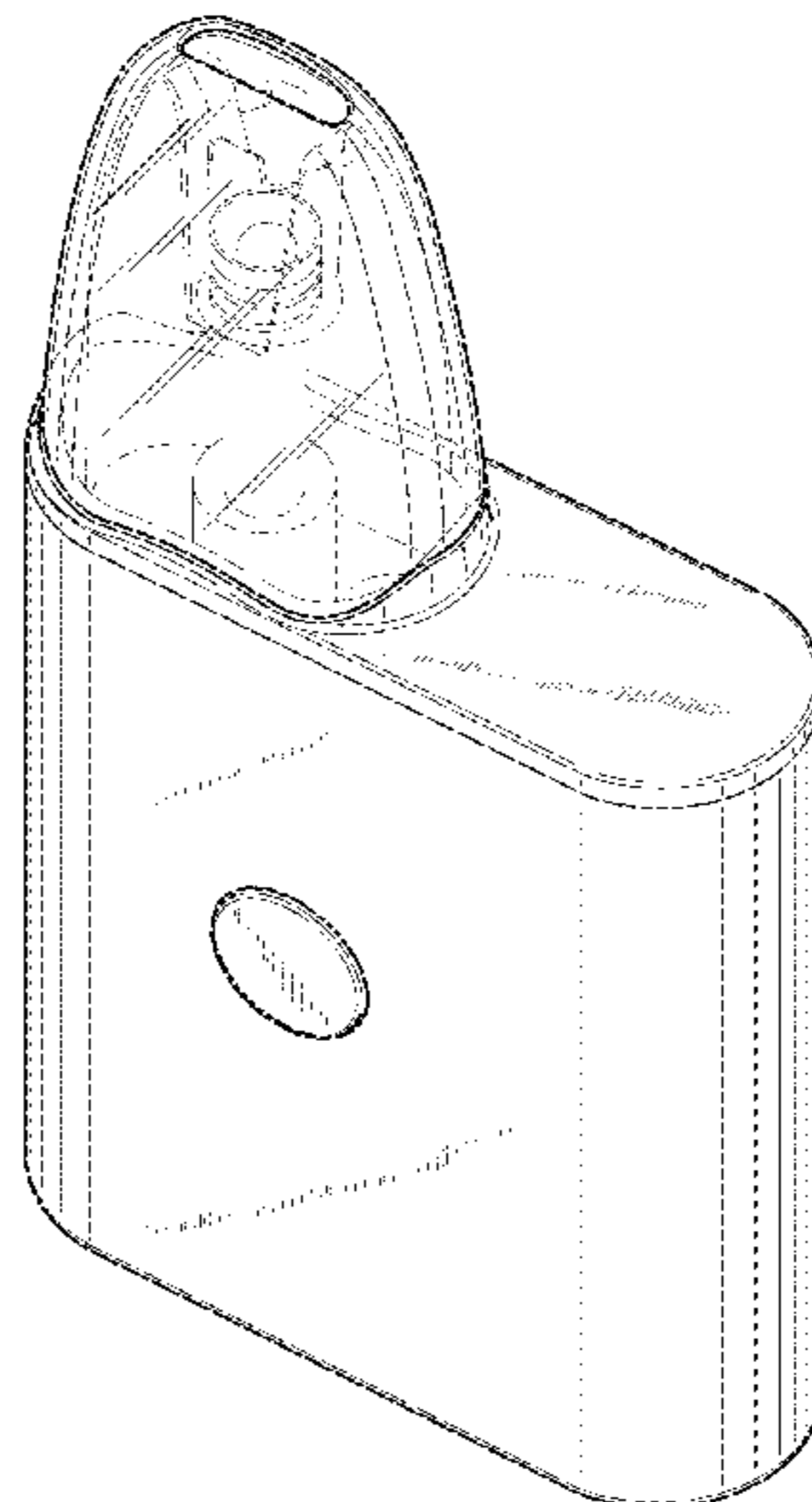
(57) **CLAIM**

The ornamental design for an electronic cigarette, as shown
and described.

DESCRIPTION

FIG. 1 is a front elevation view of an electronic cigarette;
FIG. 2 is a rear elevation view thereof;
FIG. 3 is a left-side elevation view thereof;
FIG. 4 is a right-side elevation view thereof;
FIG. 5 is a top plan view thereof;
FIG. 6 is a bottom plan view thereof;
FIG. 7 is a perspective view thereof; and,
FIG. 8 is a bottom perspective view thereof.
The broken lines shown in the drawings depict portions of
the electronic cigarette that form no part of the claimed
design.

1 Claim, 8 Drawing Sheets



(58) **Field of Classification Search**

CPC .. 2202/0007; A61M 2205/3368; A61M 11/02;
A61M 15/002; A61M 15/0025; A61M
15/0065; A61M 15/0066; A61M 15/0085;
A61M 2016/0021; A61M 2205/3592;
A61M 2205/6018; A61M 35/003; A61M
35/25; A61M 11/00; A61M 11/003;
A61M 11/006; A61M 11/007; A61M
11/041; A61M 11/044; A61M 15/00;
A61M 15/0003; A61M 15/0006; A61M
15/001; A61M 15/0023; A61M 15/0035;
A61M 16/06; A61M 16/142; A61M
2016/0027; A61M 2016/0036; A61M
2016/0039; A61M 21/02; A61M 2202/04;
A61M 2205/0205; A61M 2205/0233;
A61M 2205/0238; A61M 2205/0288;
A61M 2205/051; A61M 2205/07; A61M
2205/103; A61M 2205/12; A61M
2205/13; A61M 2205/18; A61M
2205/3317; A61M 2205/3327; A61M
2205/3331; A61M 2205/3337; A61M
2205/3372; A61M 2205/3375; A61M
2205/3553; A61M 2205/3561; A61M
2205/3569; A61M 2205/3584; A61M
2205/42; A61M 2205/50; A61M
2205/505; A61M 2205/52; A61M
2205/581; A61M 2205/583; A61M
2205/59; A61M 2205/6009; A61M
2205/6054; A61M 2205/6063; A61M

2205/82; A61M 2205/8243; A61M
2205/8262; A61M 2206/14; A61M
2206/16; A61M 2206/18; A61M 2207/00;
A61M 2209/045; A61M 2209/086; A61M
2209/10; A61M 2210/04; A61M
2210/0612; A61M 2230/005; A61M
2230/42; A61M 2230/65; A61M 2240/00;
A61M 35/00; A61M 35/30; A61M 39/24

See application file for complete search history.

(56)

References Cited

U.S. PATENT DOCUMENTS

D854,738	S	*	7/2019	Kauss	D27/162
D855,249	S	*	7/2019	Qiu	D27/162
D855,250	S	*	7/2019	Qiu	D27/162
D871,666	S	*	12/2019	Qiu	D27/163
D927,771	S	*	8/2021	Wang	D27/101

FOREIGN PATENT DOCUMENTS

CN	201930240542.X	*	10/2019
CN	201930296387.3	*	1/2020
CN	201930437716.1	*	2/2020
CN	201930486525.4	*	4/2020
CN	201930591638.0	*	4/2020
CN	201930684873.2	*	6/2020
CN	202030396516.9	*	12/2020
CN	202030563616.6	*	3/2021

* cited by examiner

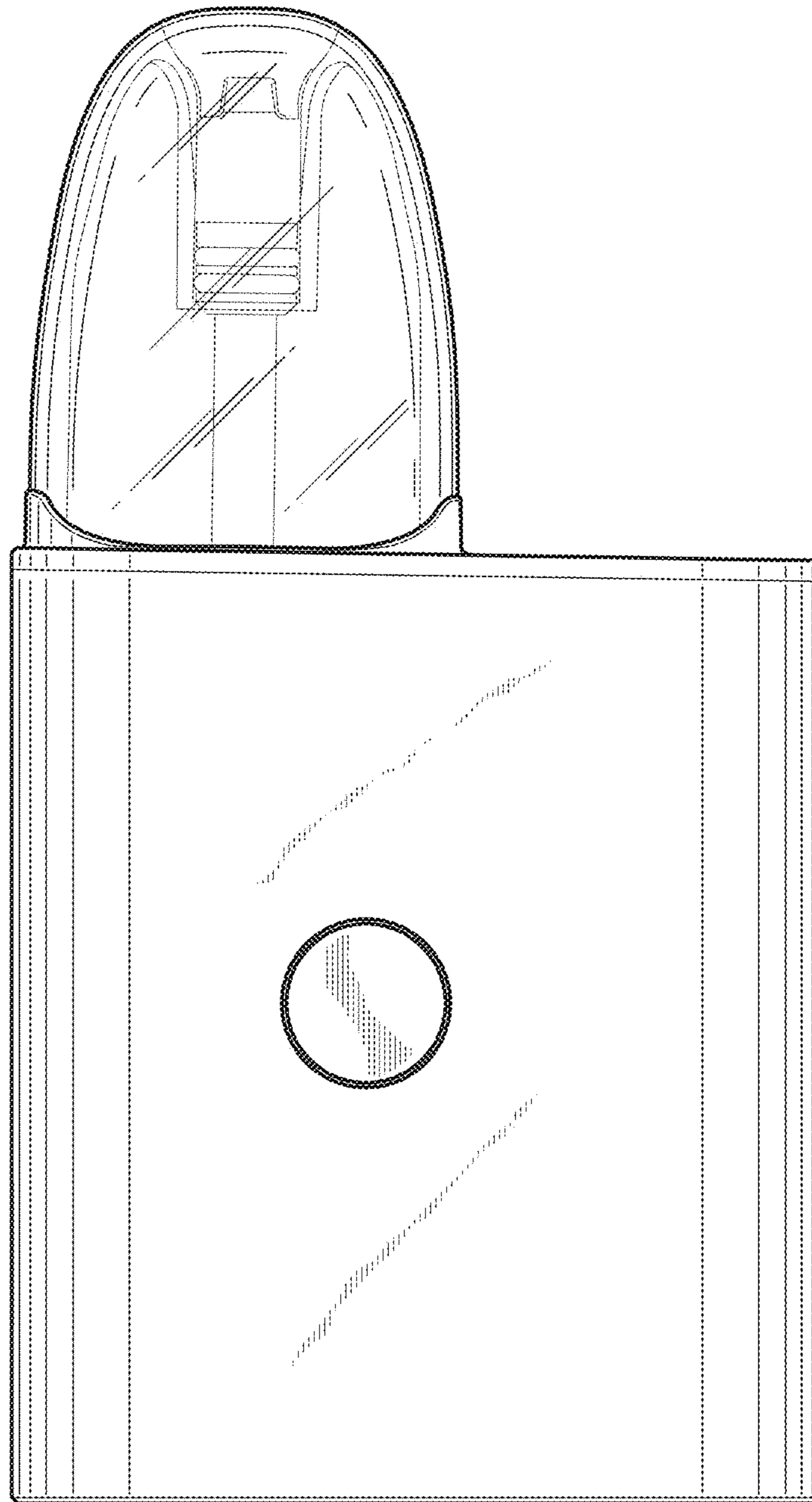


FIG. 1

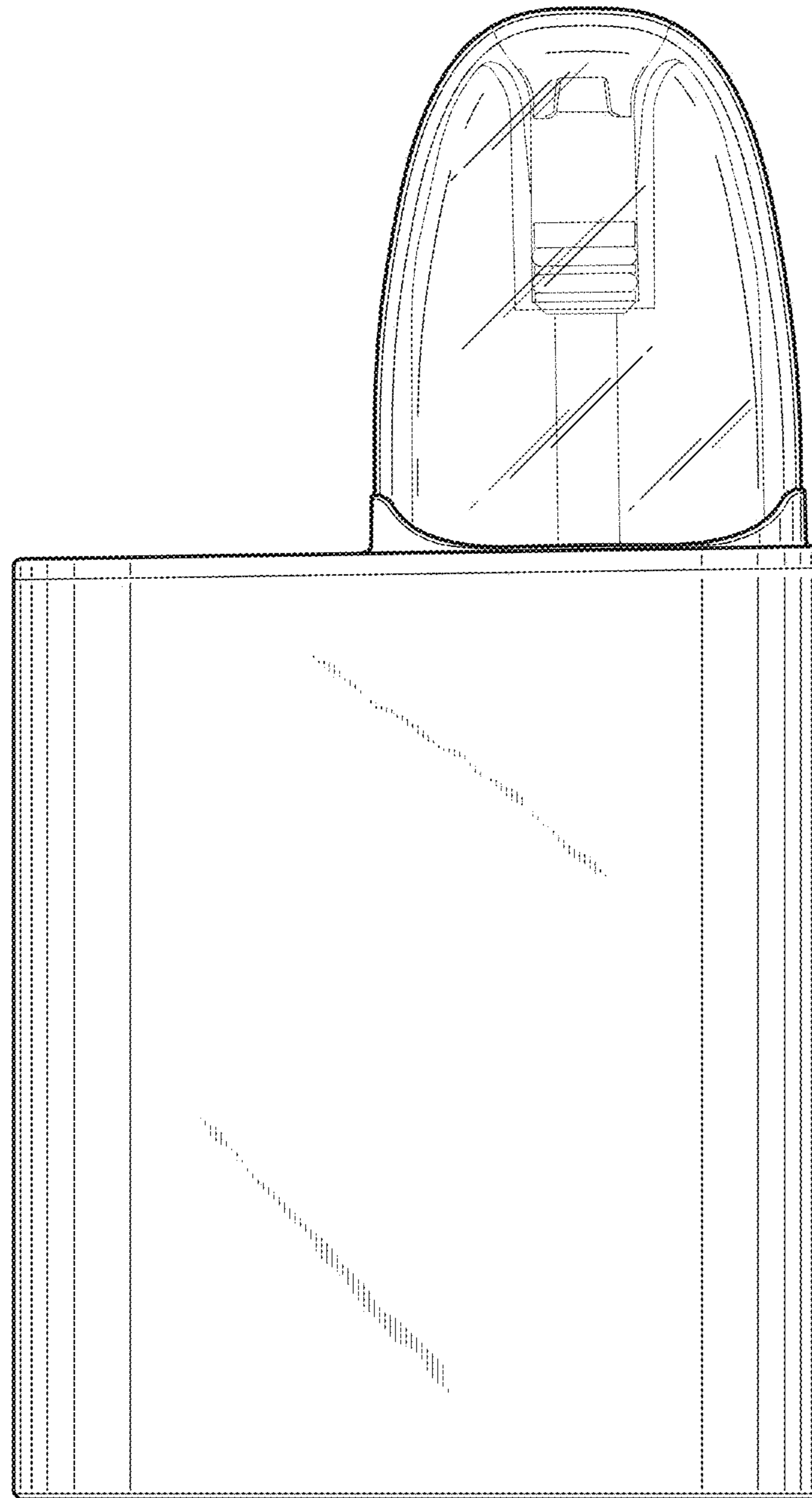


FIG. 2

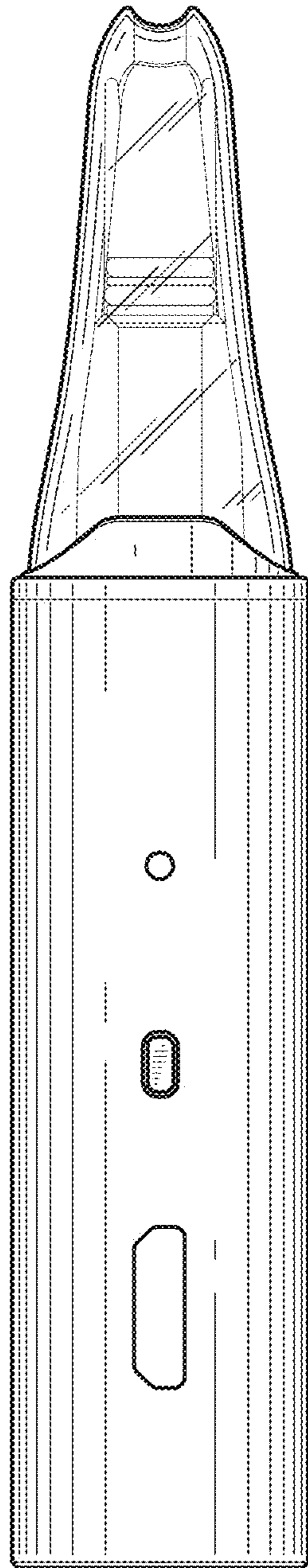


FIG. 3

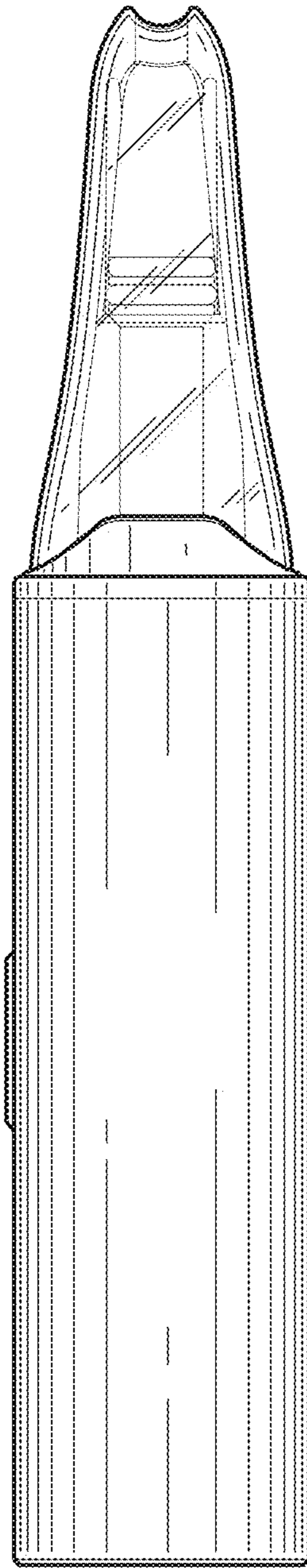


FIG. 4

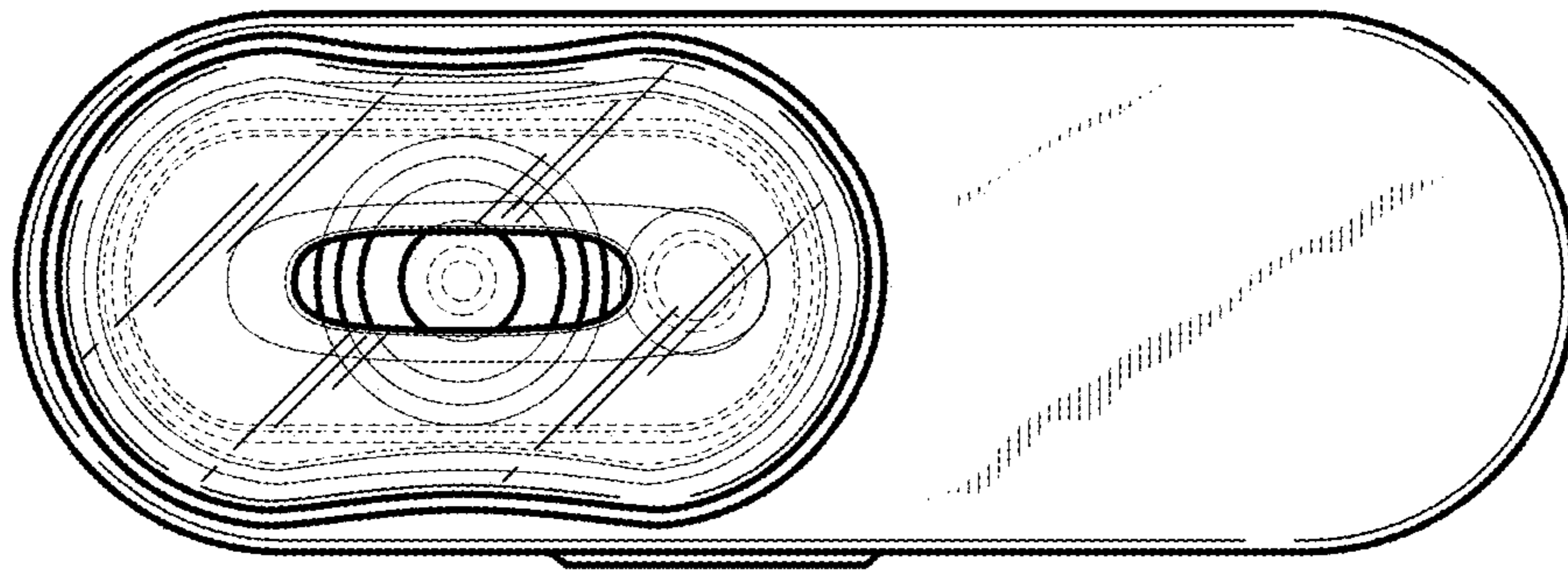


FIG. 5

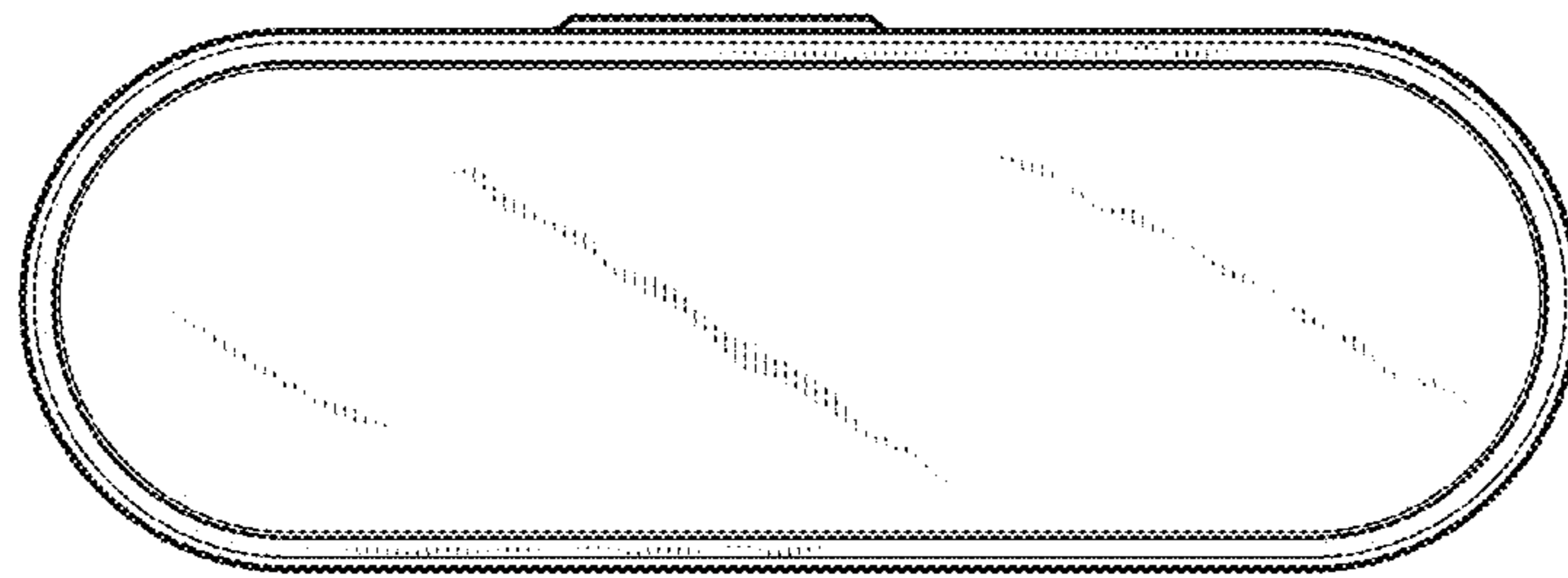


FIG. 6

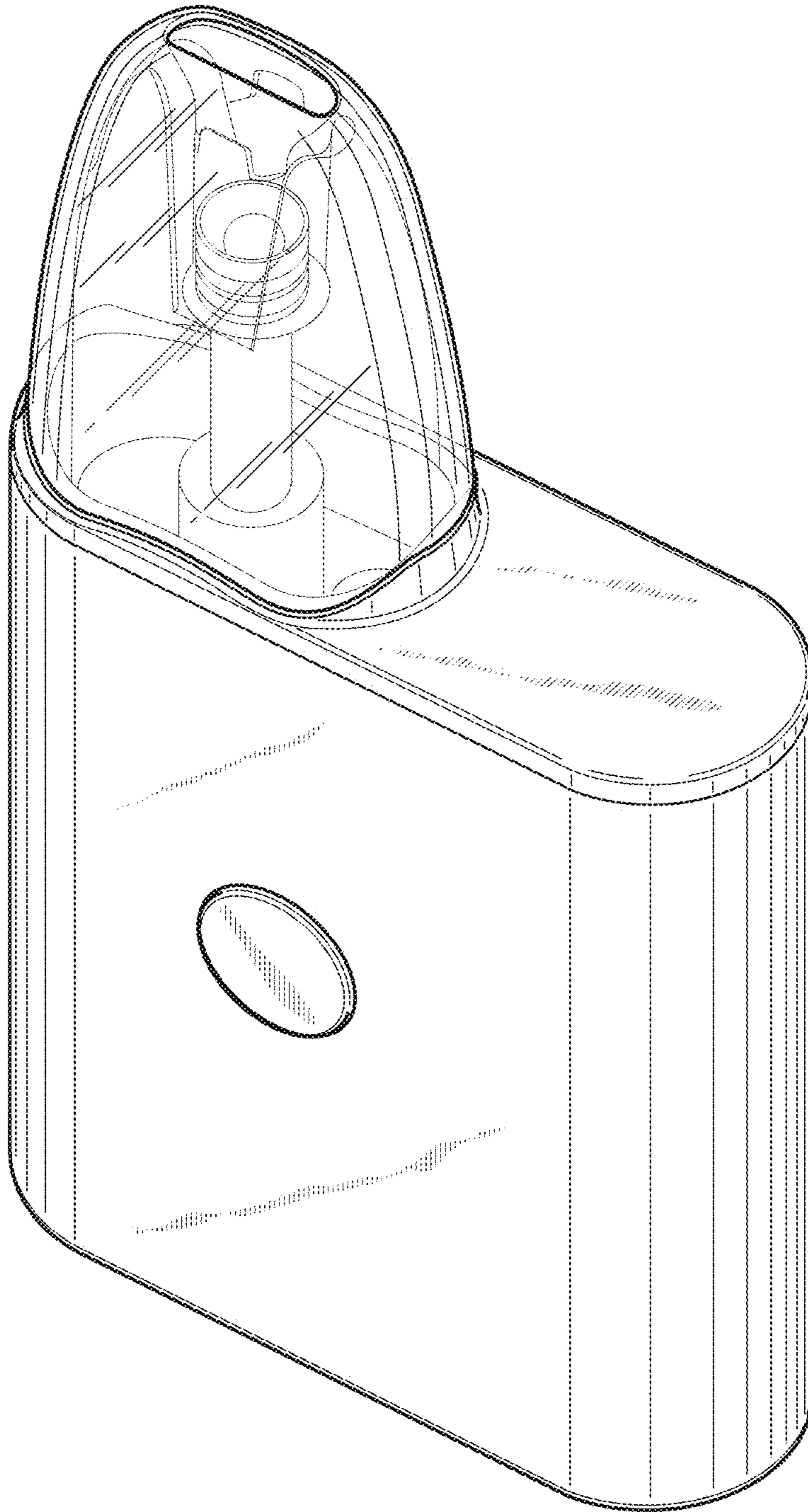


FIG. 7

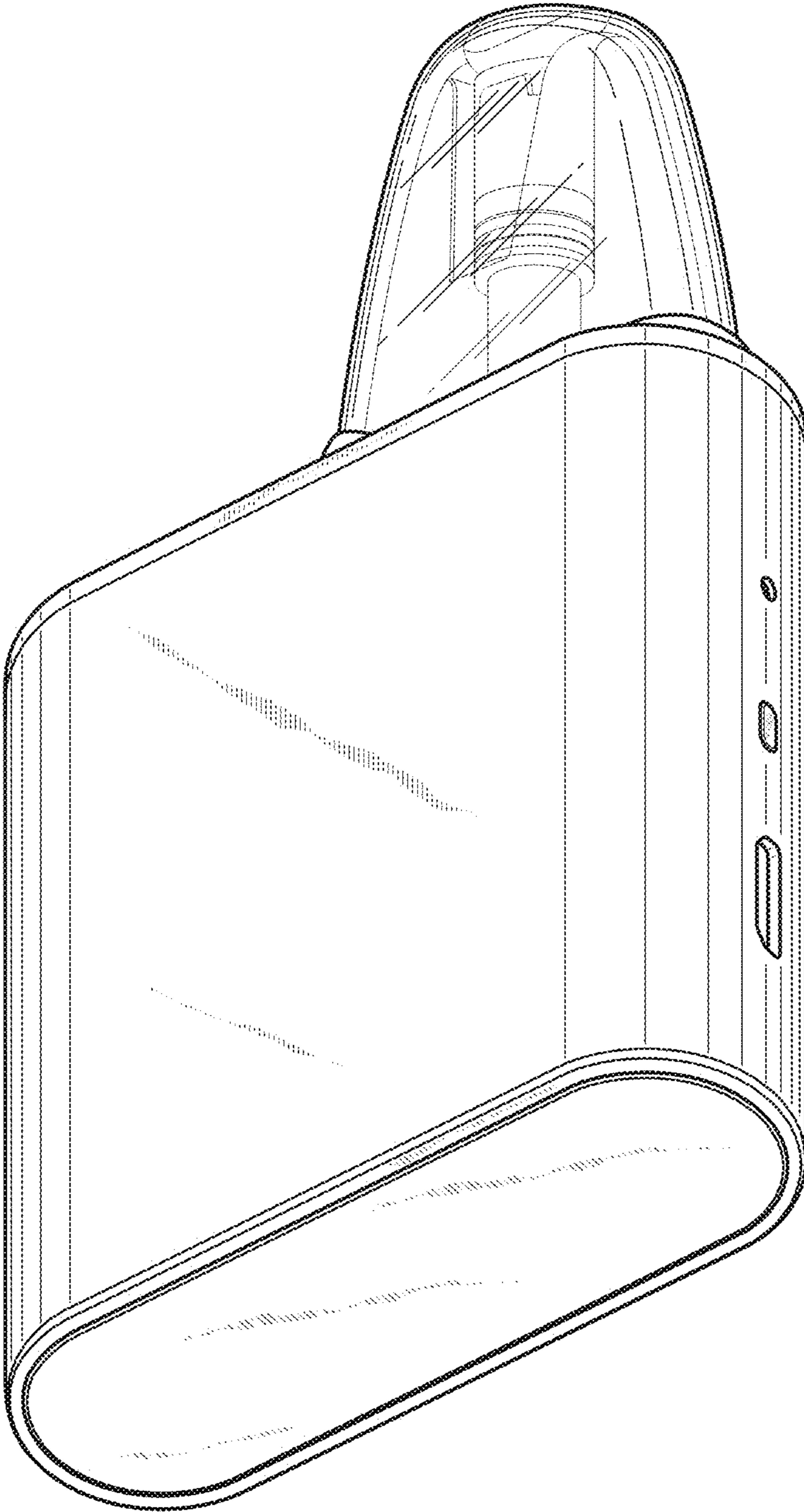


FIG. 8