



US00D943813S

(12) **United States Design Patent** (10) **Patent No.:** **US D943,813 S**  
**Liu** (45) **Date of Patent:** **\*\* Feb. 15, 2022**

(54) **ELECTRONIC CIGARETTE**

11/042; A61M 15/06; A61M 2205/82;  
A61M 15/002; A61M 11/041;

(71) Applicant: **Tuanfang Liu**, Shenzhen (CN)

(Continued)

(72) Inventor: **Tuanfang Liu**, Shenzhen (CN)

(56) **References Cited**

(\*\*) Term: **15 Years**

U.S. PATENT DOCUMENTS

(21) Appl. No.: **29/724,315**

D720,620 S \* 1/2015 Gerard ..... D9/522  
D729,366 S \* 5/2015 Kauss ..... D23/360

(22) Filed: **Feb. 13, 2020**

(Continued)

(30) **Foreign Application Priority Data**

FOREIGN PATENT DOCUMENTS

Oct. 15, 2019 (CN) ..... 201930559559.1

CN 201730608186 \* 7/2018  
CN 201930105003.5 \* 9/2019

(51) **LOC (13) Cl.** ..... **27-02**

OTHER PUBLICATIONS

(52) **U.S. Cl.**

USPC ..... **D27/162**

(58) **Field of Classification Search**

USPC ..... D27/100, 101, 162, 163, 164, 165, 166,  
D27/167, 168, 169, 170, 171, 172, 173,  
D27/174, 175, 176, 177, 178, 179, 180,  
D27/181, 182, 183, 184, 185, 186, 187,  
D27/188, 189, 190, 191, 192, 193;  
D28/91.1; D23/360, 362; D24/110,  
D24/110.4, 110.5, 110.6, 113

Cloud Chasing Pod. By Matt From SMM. Dated Aug. 31, 2019.  
Found online [Mar. 11, 2021]. <https://www.youtube.com/watch?v=X3HtVcHUzWU> (Year: 2019).\*

(Continued)

CPC ..... A24F 40/10; A24F 40/40; A24F 40/46;  
A24F 40/42; A24F 40/44; A24F 40/485;  
A24F 40/50; A24F 40/60; A24F 40/90;  
A24F 40/53; A24F 40/70; A24F 40/48;  
A24F 40/51; A24F 40/57; A24F 40/05;  
A24F 40/65; A24F 40/20; A24F 47/002;  
A24F 40/30; A24F 7/00; A24F 47/00;  
A24F 1/32; A24F 40/00; A24F 40/49;  
A24F 40/85; A24F 40/95; A24F 7/04;  
A24F 9/16; A24F 47/008; A24F 15/015;  
A24F 40/465; A24F 42/60; A24F 1/02;  
A24F 2700/03; A24F 47/006; A24F  
13/00; A24F 13/14; A24F 15/01; A24F  
15/12; A24F 15/14; A24F 15/18; A24F  
42/00; A24F 42/10; A24F 7/02; A24F  
47/004; A24F 1/00; A24F 42/20; A61M

*Primary Examiner* — Marissa J Cash  
*Assistant Examiner* — William B Melliar  
(74) *Attorney, Agent, or Firm* — Matthias Scholl P.C.;  
Matthias Scholl

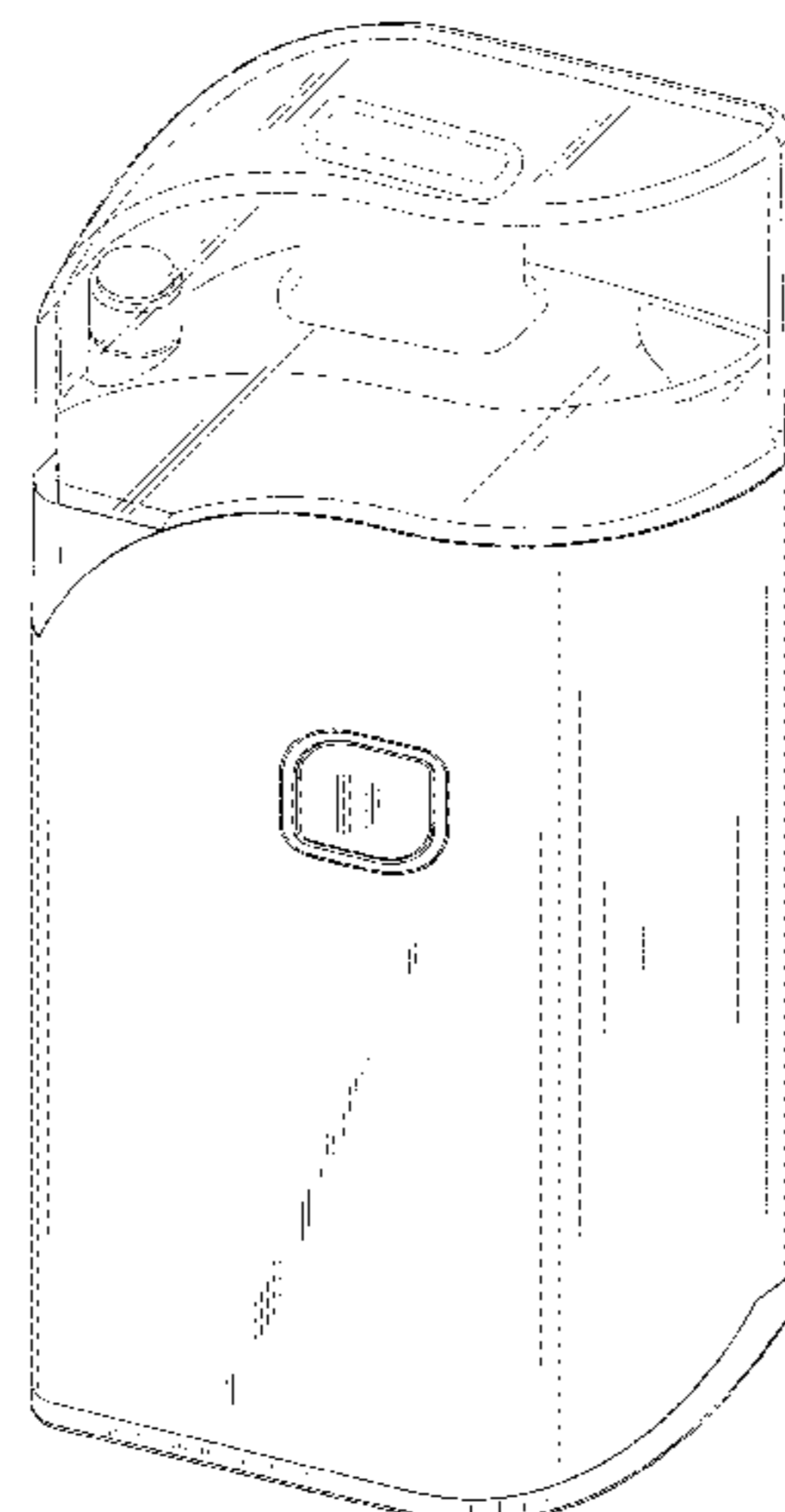
(57) **CLAIM**

The ornamental design for an electronic cigarette, as shown  
and described.

**DESCRIPTION**

FIG. 1 is a front elevation view of an electronic cigarette;  
FIG. 2 is a rear elevation view thereof;  
FIG. 3 is a left-side elevation view thereof;  
FIG. 4 is a right-side elevation view thereof;  
FIG. 5 is a top plan view thereof;  
FIG. 6 is a bottom plan view thereof; and,  
FIG. 7 is a perspective view thereof.

(Continued)



The broken lines in the drawings depict portions of the electronic cigarette that form no part of the claimed design.

2205/3317; A61M 2205/50; A61M 2205/52; A61M 2205/3368; A24B 15/167  
See application file for complete search history.

**1 Claim, 7 Drawing Sheets**

(56)

**References Cited**

**(58) Field of Classification Search**

CPC ..... A61M 15/0001; A61M 15/0085; A61M 11/001; A61M 11/04; A61M 11/044; A61M 15/0015; A61M 15/0021; A61M 15/0028; A61M 15/0091; A61M 15/0095; A61M 16/0808; A61M 2205/0211; A61M 2205/0238; A61M 2205/0272; A61M 2205/123; A61M 2205/3334; A61M 2205/58; A61M 2205/7536; A61M 2205/3653; A61M 2205/18; A61M

U.S. PATENT DOCUMENTS

D758,004	S	*	5/2016	Freshwater	.....	D27/163
D799,743	S	*	10/2017	Qiu	.....	D27/101
D819,882	S	*	6/2018	Qiu	.....	D27/101
D832,504	S	*	10/2018	Qiu	.....	D27/163
D835,591	S	*	12/2018	Shim	.....	D13/184
D842,237	S	*	3/2019	Qiu	.....	D13/103
D860,516	S	*	9/2019	Qiu	.....	D27/101
D866,853	S	*	11/2019	Hoashi	.....	D27/101
D869,086	S	*	12/2019	Pan	.....	D27/162
D892,396	S	*	8/2020	Lai	.....	D27/162
D894,476	S	*	8/2020	Miyamoto	.....	D27/101
D899,678	S	*	10/2020	Liu	.....	D27/162

OTHER PUBLICATIONS

Aspire Breeze First Look. By Aspire Vape Co. Dated May 17, 2017. Found online [Mar. 11, 2021]. <https://www.youtube.com/watch?v=0zhHE5VfYsg> (Year: 2017).\*

\* cited by examiner

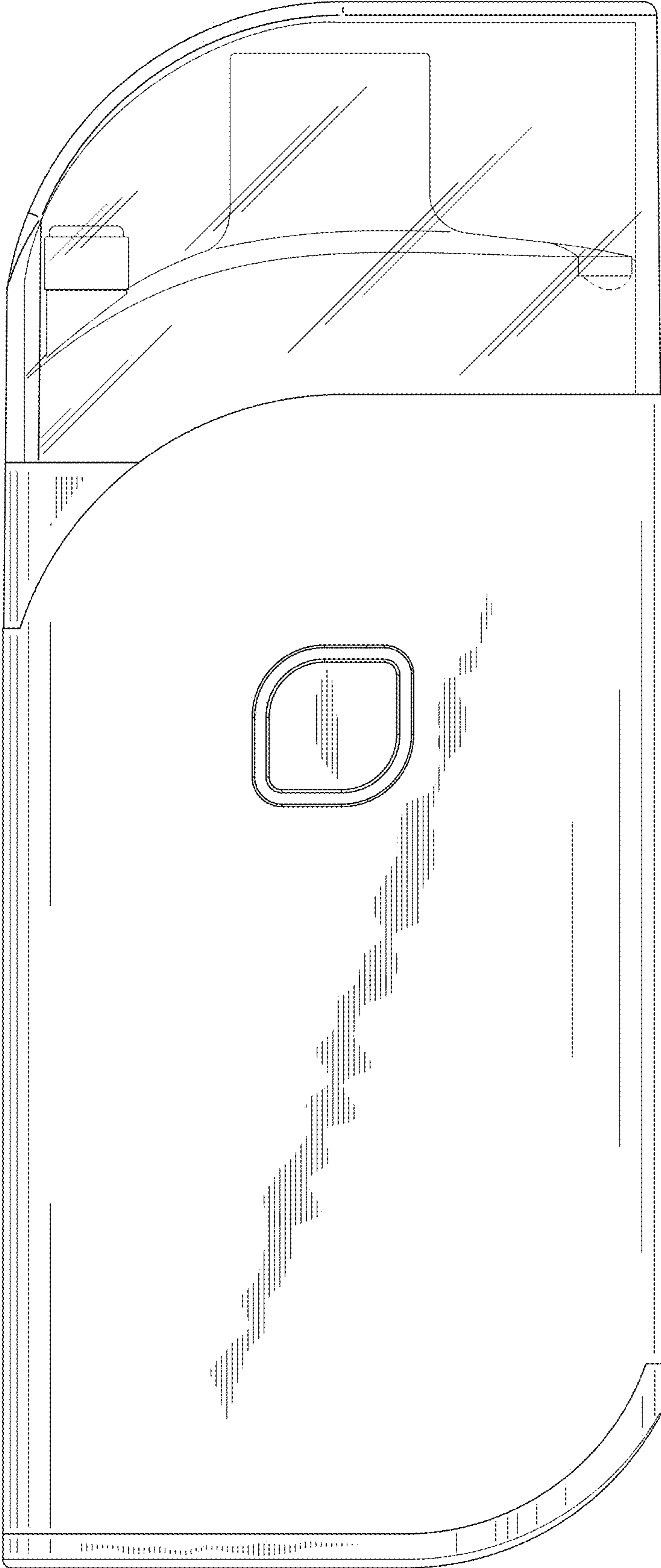


FIG. 1

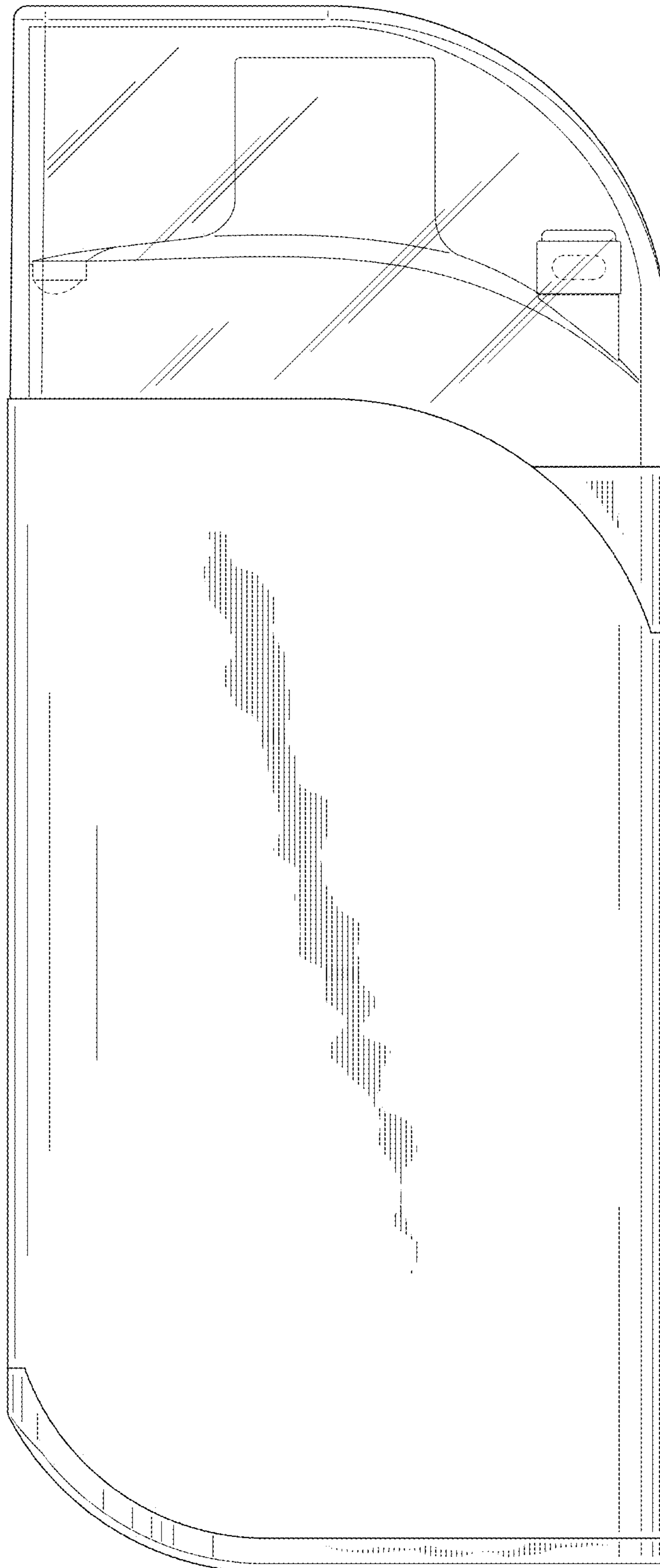
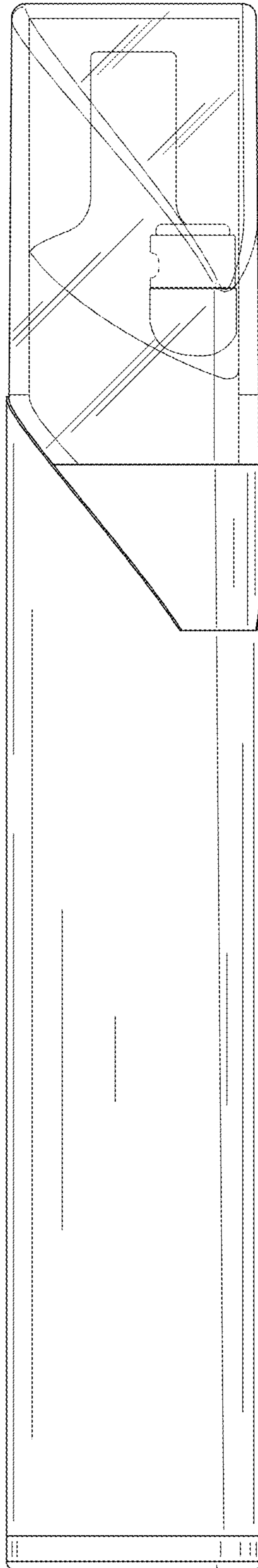
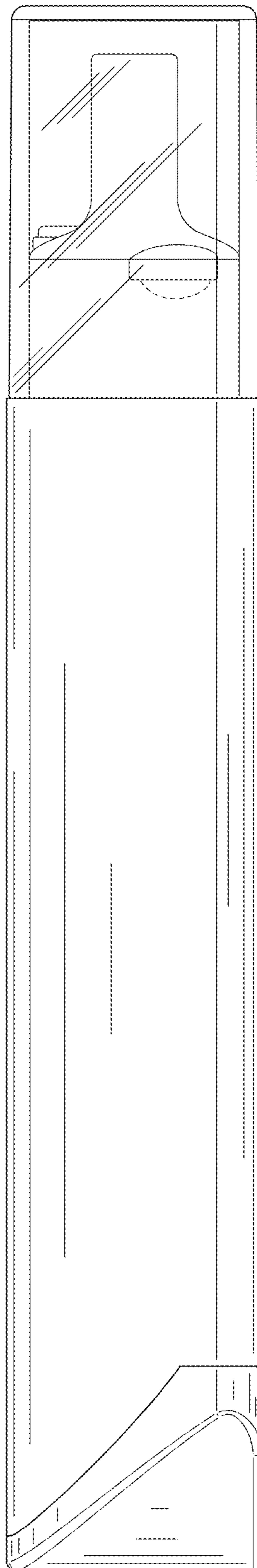


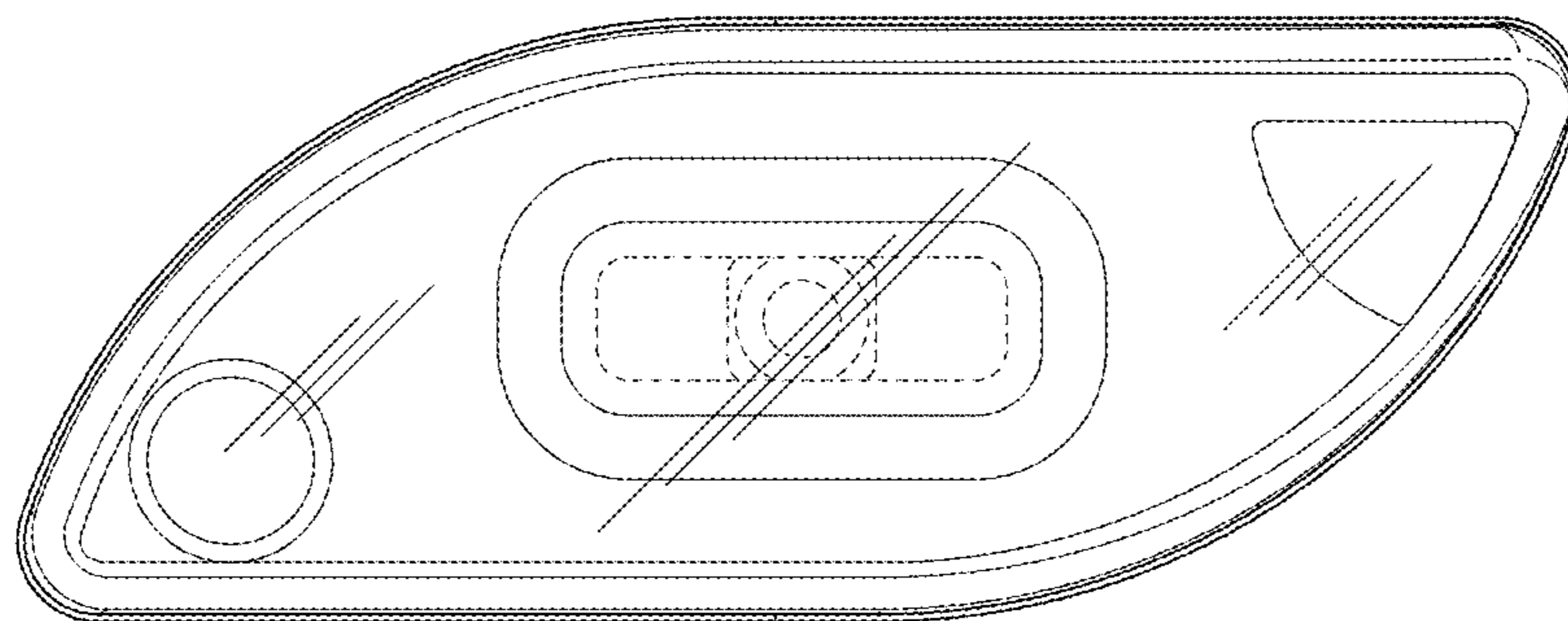
FIG. 2



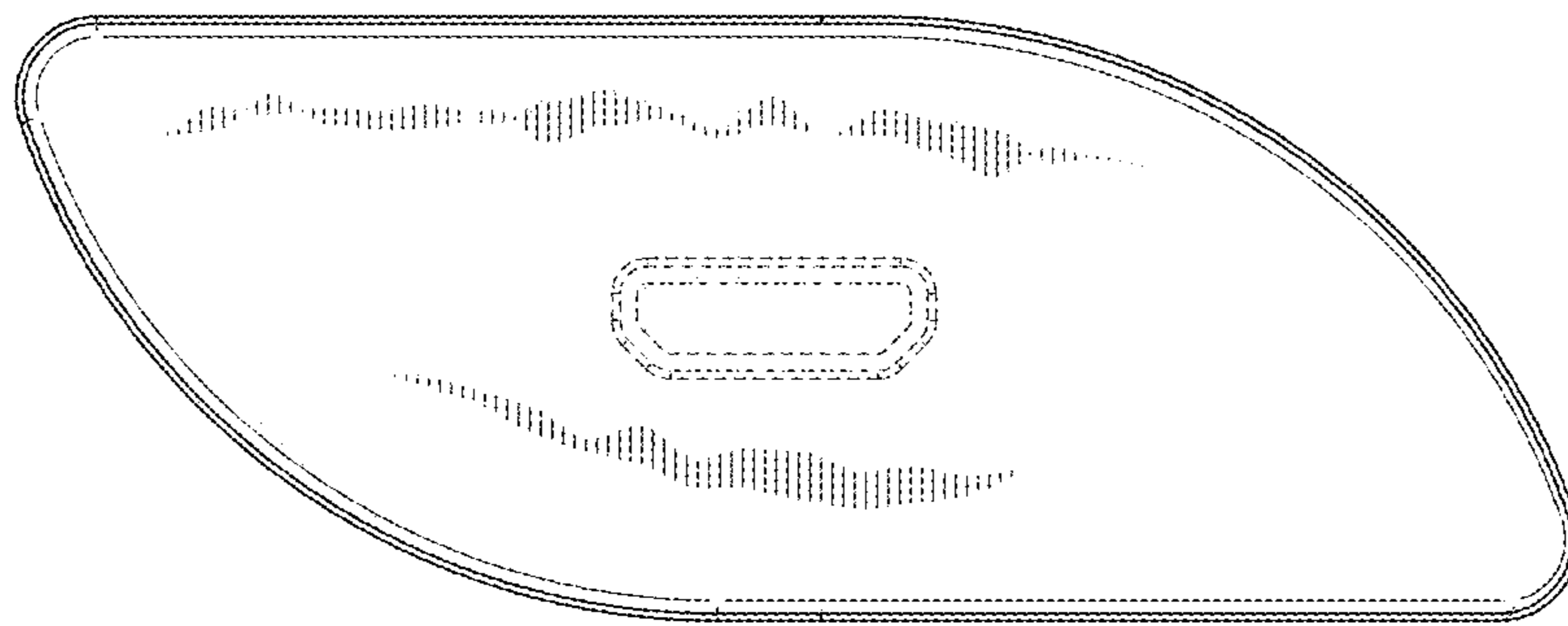
**FIG. 3**



**FIG. 4**



**FIG. 5**



**FIG. 6**



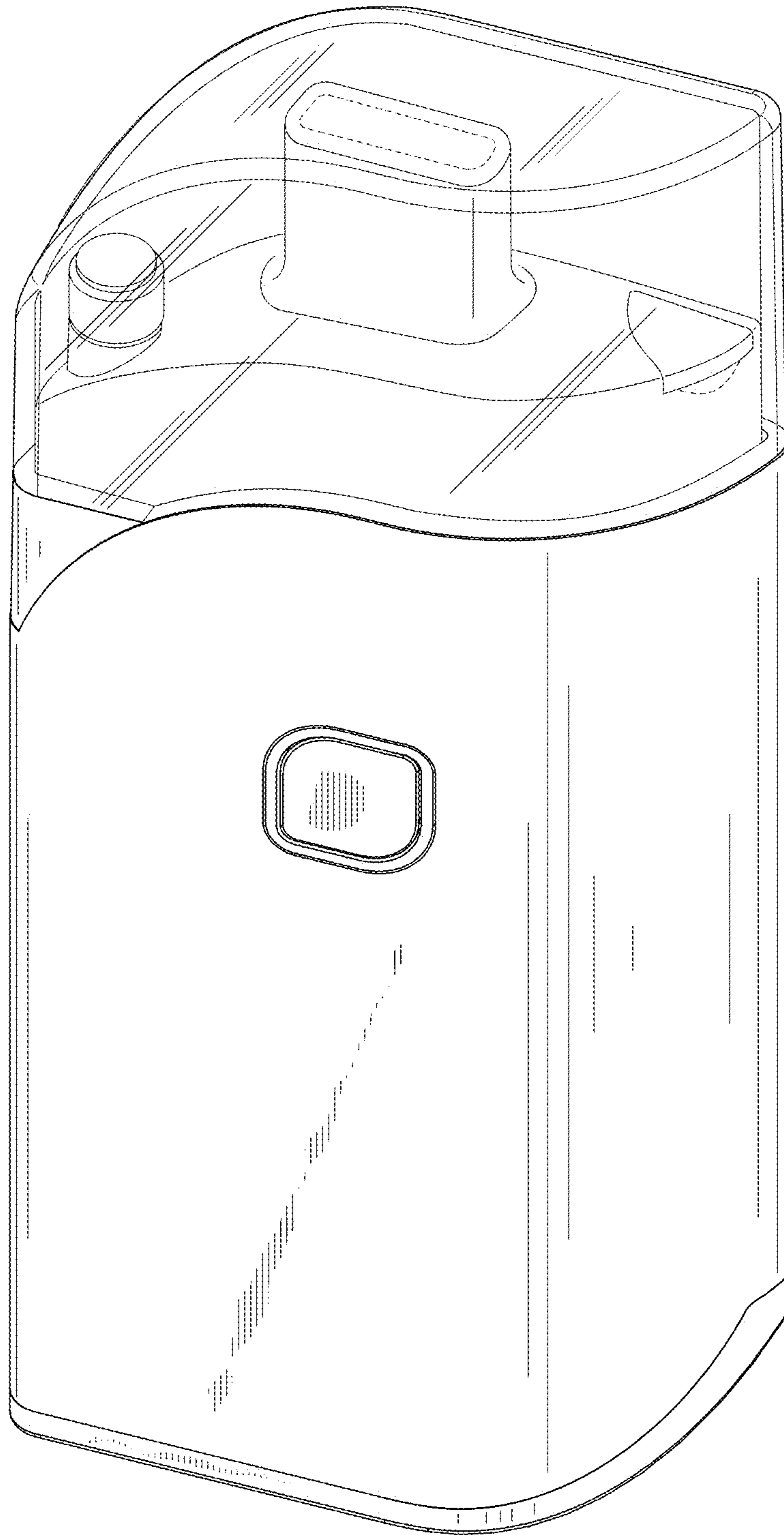


FIG. 7