



US00D943812S

(12) **United States Design Patent**
Gibson

(10) **Patent No.:** **US D943,812 S**

(45) **Date of Patent:** **** Feb. 15, 2022**

- (54) **ELECTRONIC VAPORIZER BASE**
- (71) Applicant: **Kandypens Inc.**, Santa Barbara, CA (US)
- (72) Inventor: **Graham D Gibson**, Phoenix, AZ (US)
- (73) Assignee: **Kandypens, Inc.**, Santa Barbara, CA (US)
- (**) Term: **15 Years**

D680,684 S *	4/2013	Enshiwat	D27/162
D729,443 S *	5/2015	Mehio	D27/162
D731,705 S *	6/2015	Nadeem	D27/162
D754,392 S *	4/2016	Helou	D27/162
D755,439 S *	5/2016	Helou	D27/162
D844,231 S *	3/2019	Klimczyk	D27/162
D846,187 S *	4/2019	Hoch	D27/162
10,271,579 B2	4/2019	Garay et al.	
D854,740 S *	7/2019	Opp	D27/162
10,517,334 B1	12/2019	Volodarksy et al.	
D877,411 S *	3/2020	Lanier	D27/172
D882,867 S *	4/2020	Volodarsky	D27/170

* cited by examiner

- (21) Appl. No.: **29/721,312**
- (22) Filed: **Jan. 20, 2020**
- (51) **LOC (13) Cl.** **27-02**
- (52) **U.S. Cl.**
USPC **D27/162**
- (58) **Field of Classification Search**
USPC D27/162, 100, 101, 163-165, 172,
D27/180-183, 185-194; D24/110, 110.5;
D23/366
CPC A24F 1/30; A24F 1/00; A24F 1/14; A24F
1/12; A24F 1/02; F21V 29/506; F21S
8/00
See application file for complete search history.

Primary Examiner — Rebecca Tsehaye

(74) *Attorney, Agent, or Firm* — KW Law, LLP

(57) **CLAIM**

The ornamental design of an electronic vaporizer base, substantially as shown and described.

DESCRIPTION

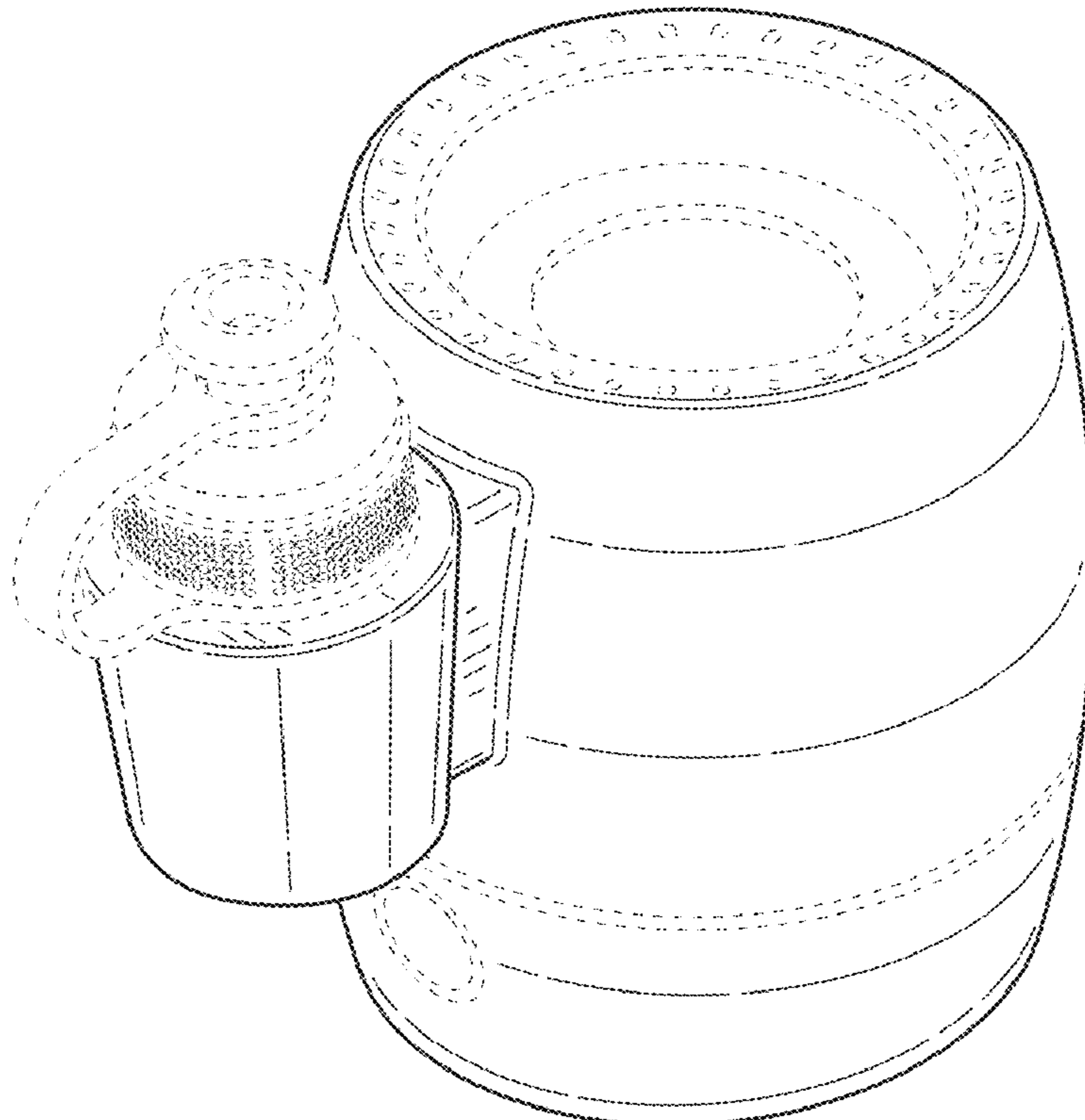
FIG. 1 is a top front perspective view of an electronic vaporizer base in accordance with the present design;
 FIG. 2 is a left side view thereof;
 FIG. 3 is a right side view thereof;
 FIG. 4 is a front view thereof;
 FIG. 5 is a back view thereof;
 FIG. 6 is a top view thereof; and,
 FIG. 7 is a bottom view thereof.
 The broken lines in the Figures show portions of the electronic vaporizer base which form no part of the claimed design.

(56) **References Cited**

U.S. PATENT DOCUMENTS

D358,229 S *	5/1995	Heine	D27/162
D368,325 S *	3/1996	Heine	D27/162
D608,879 S *	1/2010	Colombo	D23/366

1 Claim, 7 Drawing Sheets



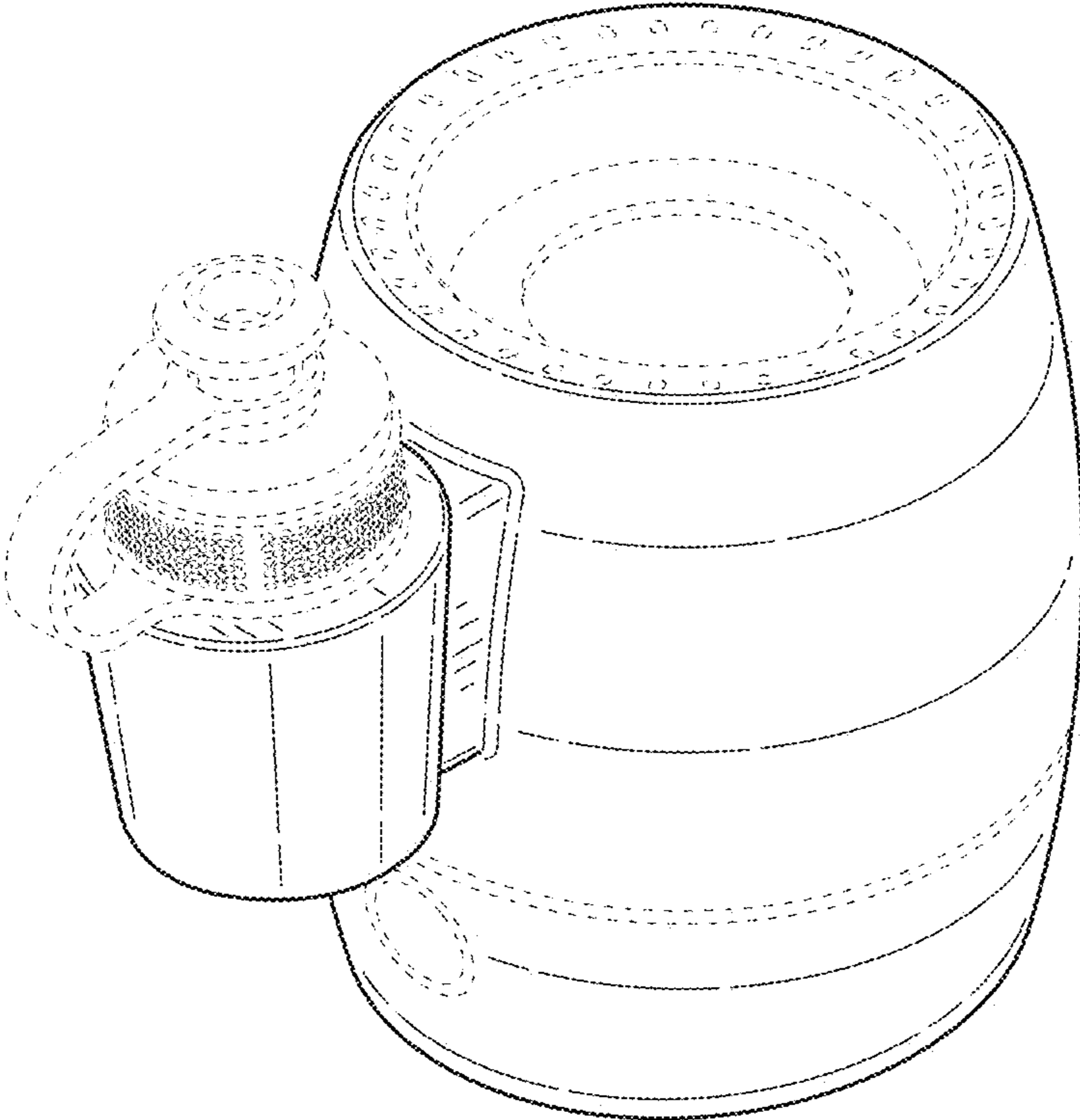


FIG.1

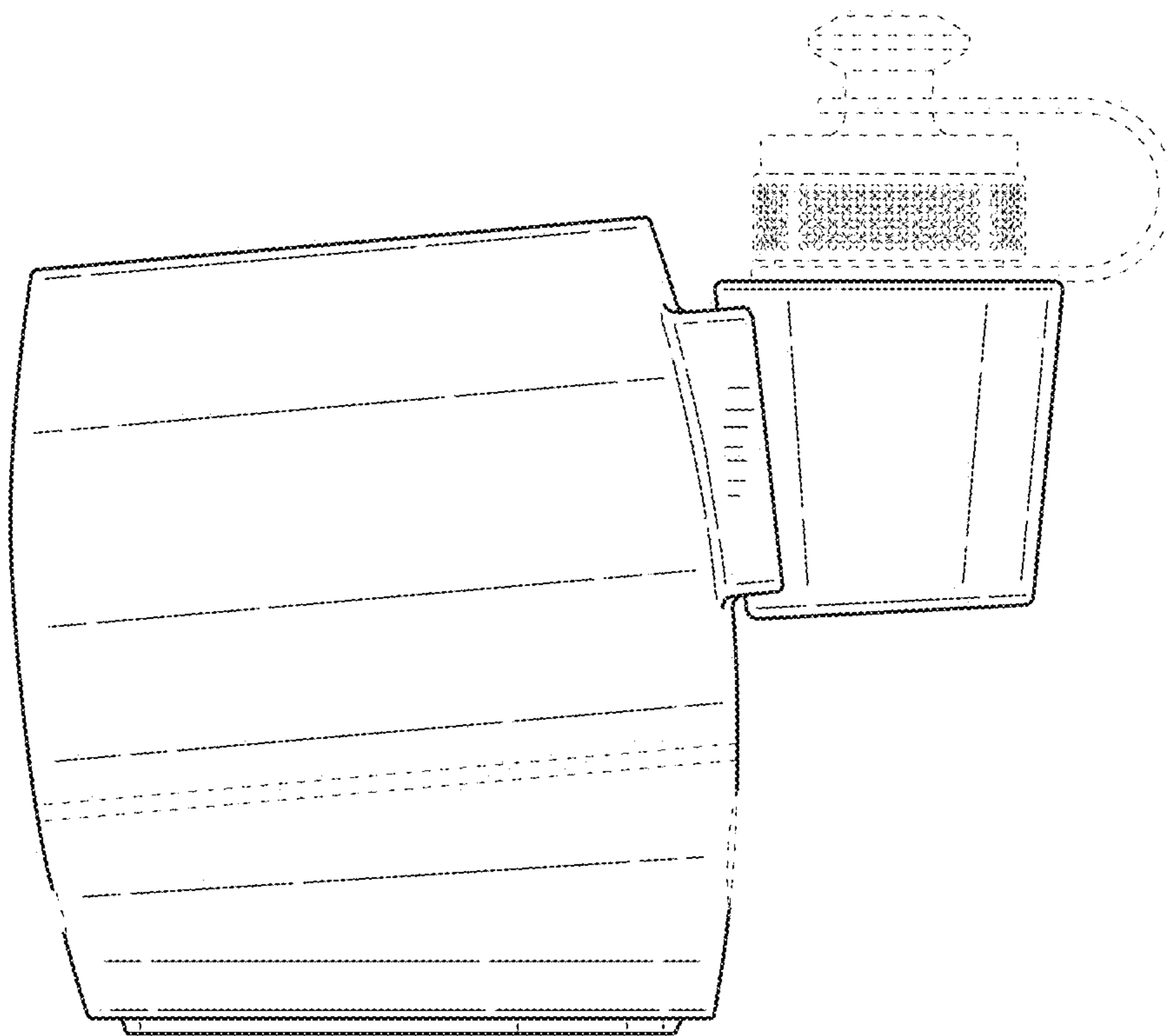


FIG.2

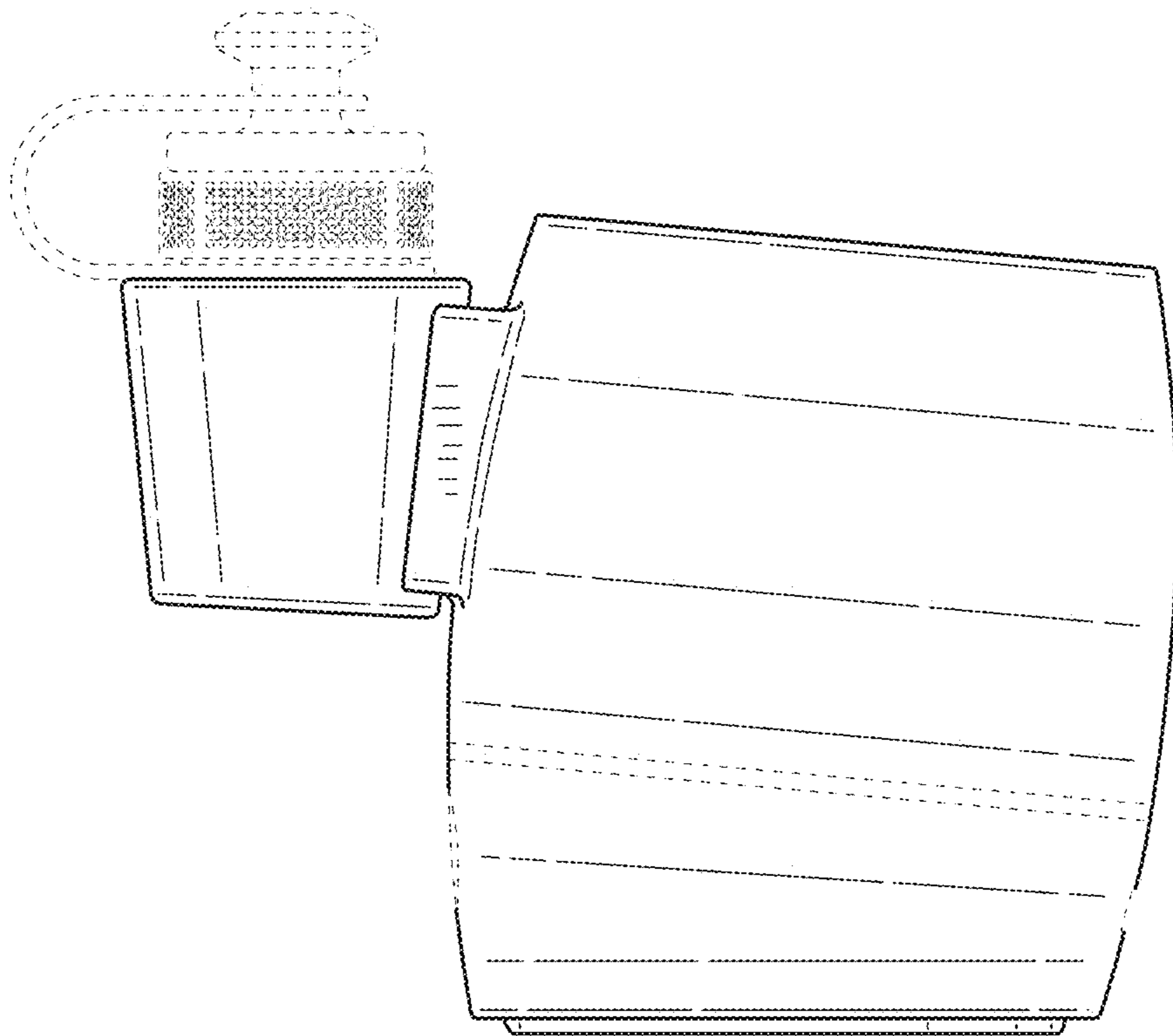


FIG. 3

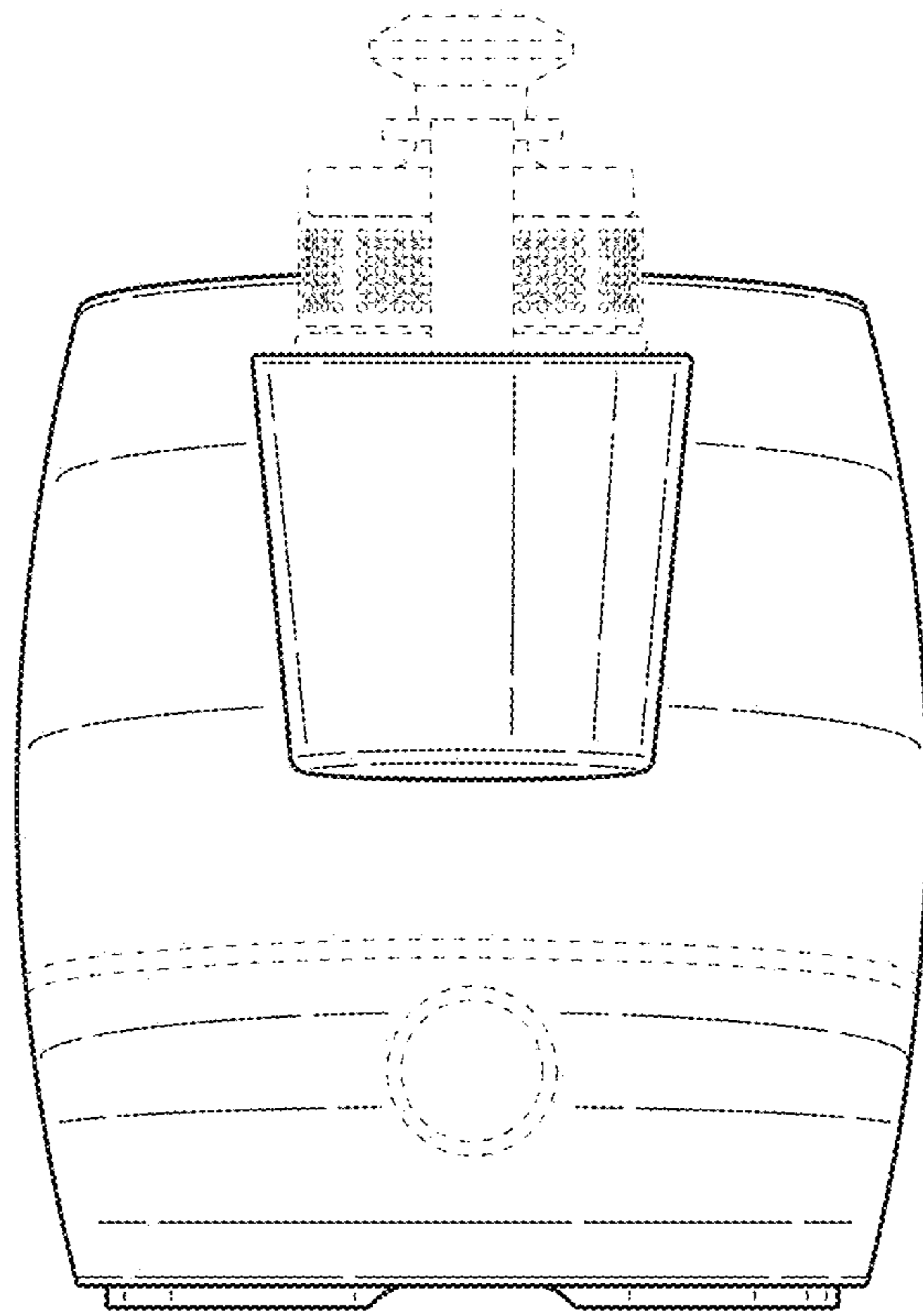


FIG.4

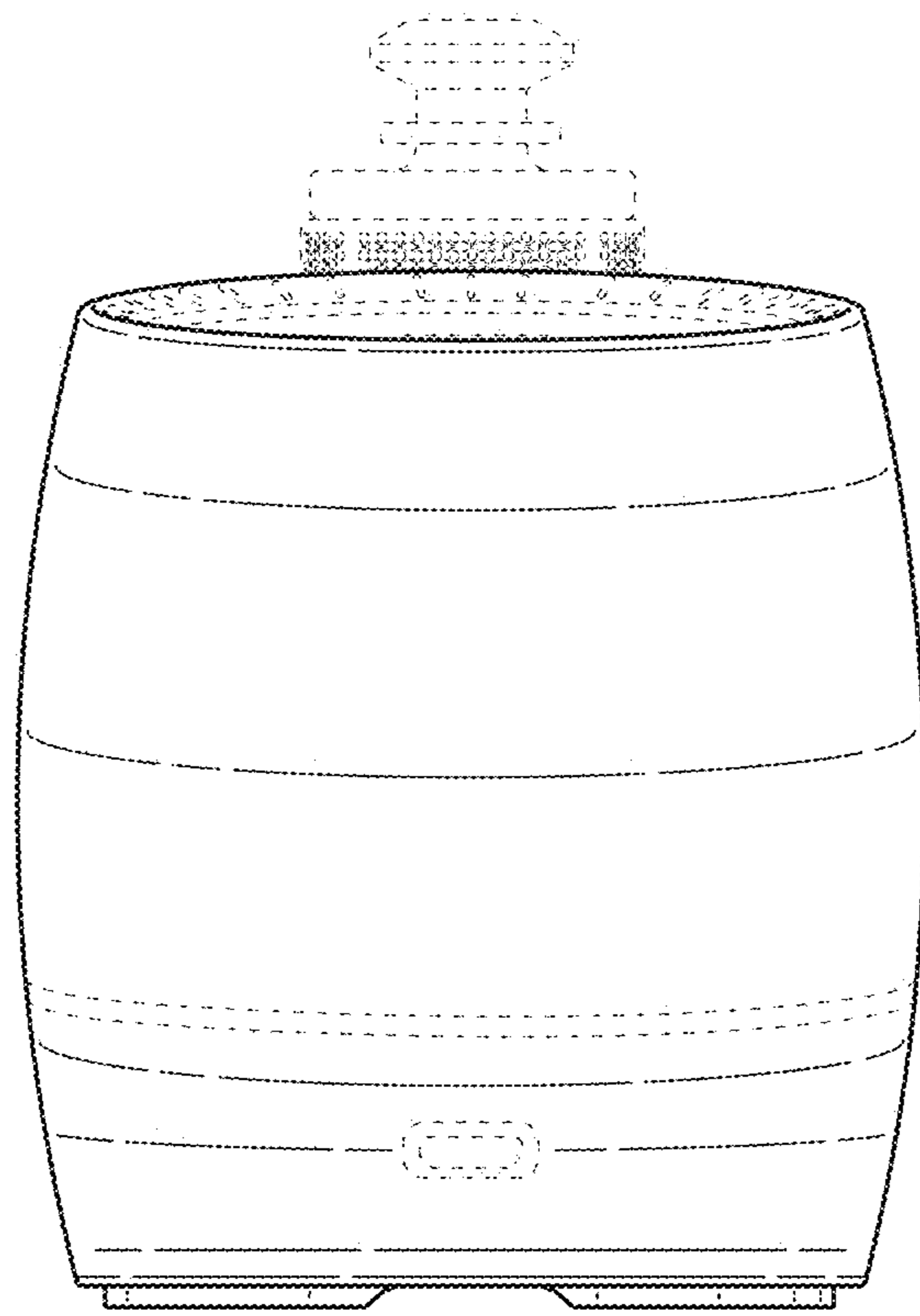


FIG.5

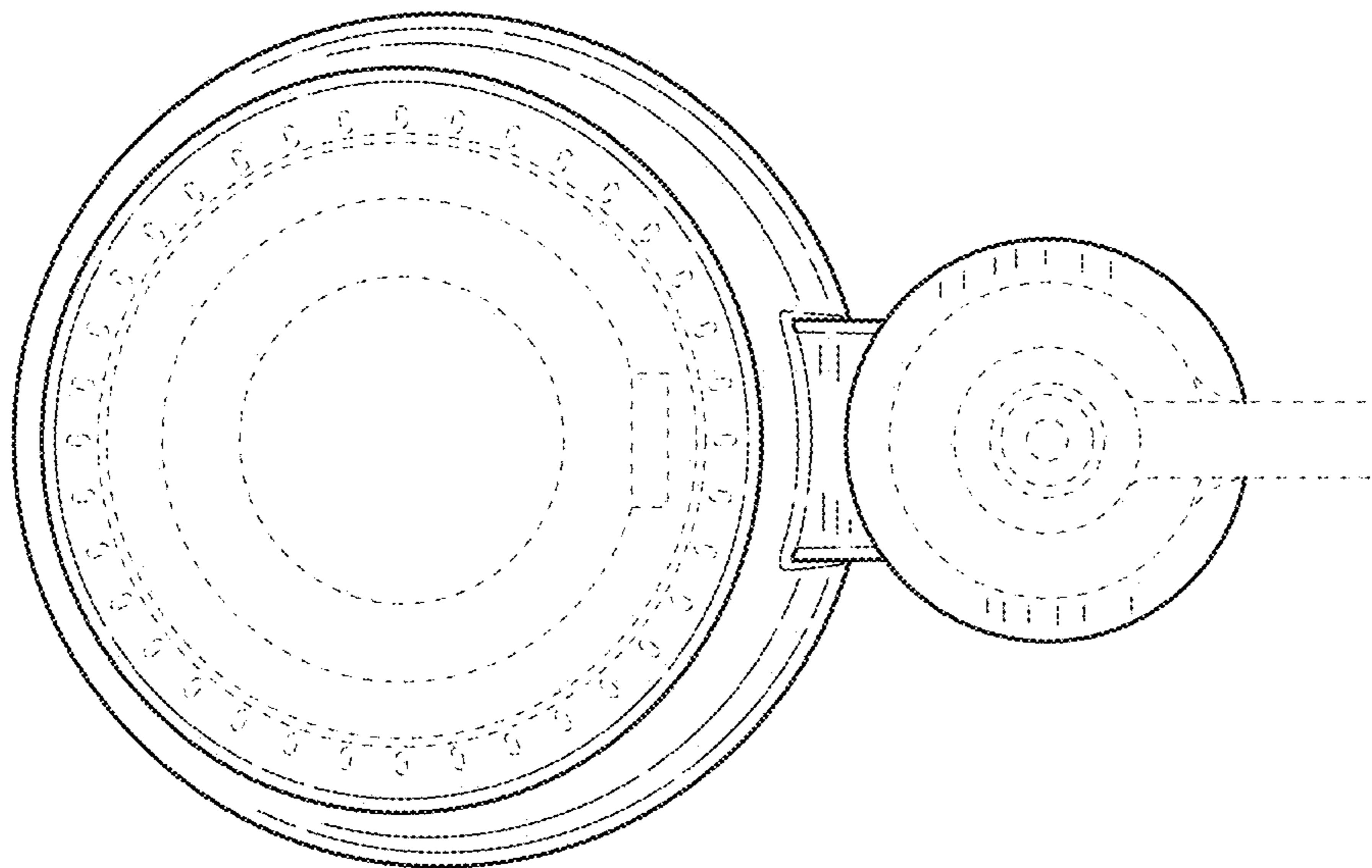


FIG.6

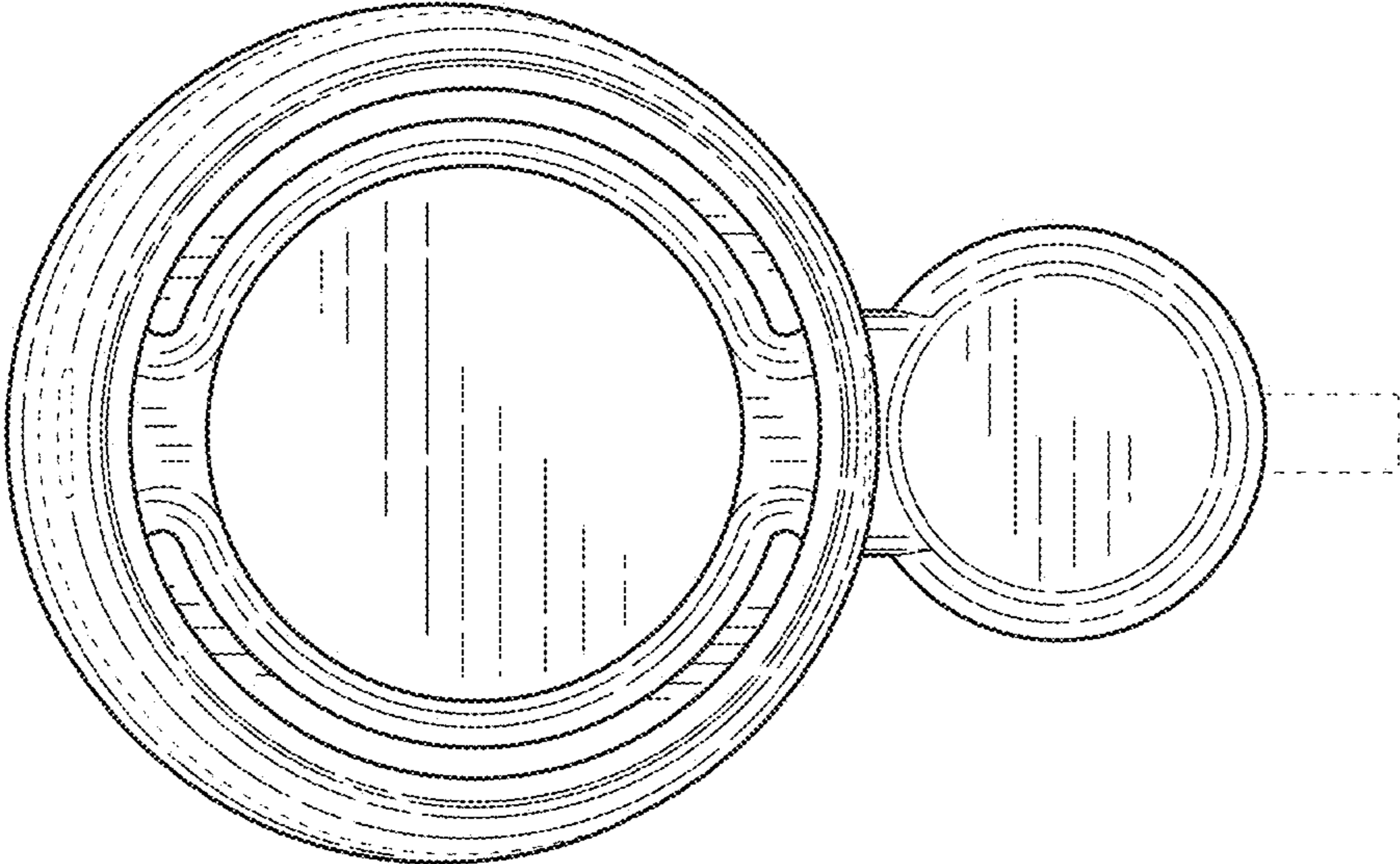


FIG.7