



US00D943809S

(12) **United States Design Patent** (10) **Patent No.:** **US D943,809 S**
Xiao et al. (45) **Date of Patent:** **** Feb. 15, 2022**

(54) **HEATER FOR ELECTRONIC CIGARETTE**

(56) **References Cited**

(71) Applicant: **SHENZHEN SMOORE TECHNOLOGY LIMITED**, Shenzhen (CN)

U.S. PATENT DOCUMENTS

(72) Inventors: **Lingrong Xiao**, Shenzhen (CN);
Congwen Xiao, Shenzhen (CN);
Hongliang Luo, Shenzhen (CN)

D400,299 S *	10/1998	Feldman	D27/186
D635,245 S *	3/2011	Virr	D24/110
D647,247 S *	10/2011	Jones	D27/163
D683,444 S *	5/2013	Inoue	D24/110
D862,794 S *	10/2019	Wolk	D27/187
D897,596 S *	9/2020	Huang	D27/162
D899,584 S *	10/2020	Carrubba	D24/110
D916,365 S *	4/2021	Lin	D27/172

(73) Assignee: **SHENZHEN SMOORE TECHNOLOGY LIMITED**, Shenzhen (CN)

* cited by examiner

(**) Term: **15 Years**

Primary Examiner — Rebecca Tsehaye

(21) Appl. No.: **29/713,938**

(74) *Attorney, Agent, or Firm* — JCIP Global Inc.

(22) Filed: **Nov. 20, 2019**

(57) **CLAIM**

The ornamental design for a heater for electronic cigarette, as shown and described.

(30) **Foreign Application Priority Data**

DESCRIPTION

May 22, 2019 (CN) 201930254290.6

(51) **LOC (13) Cl.** **27-02**

(52) **U.S. Cl.**
USPC **D27/162**

(58) **Field of Classification Search**
USPC D27/162, 100, 101, 163–165, 172, 183,
D27/185–192, 194; D24/110, 110.5,
D24/110.6

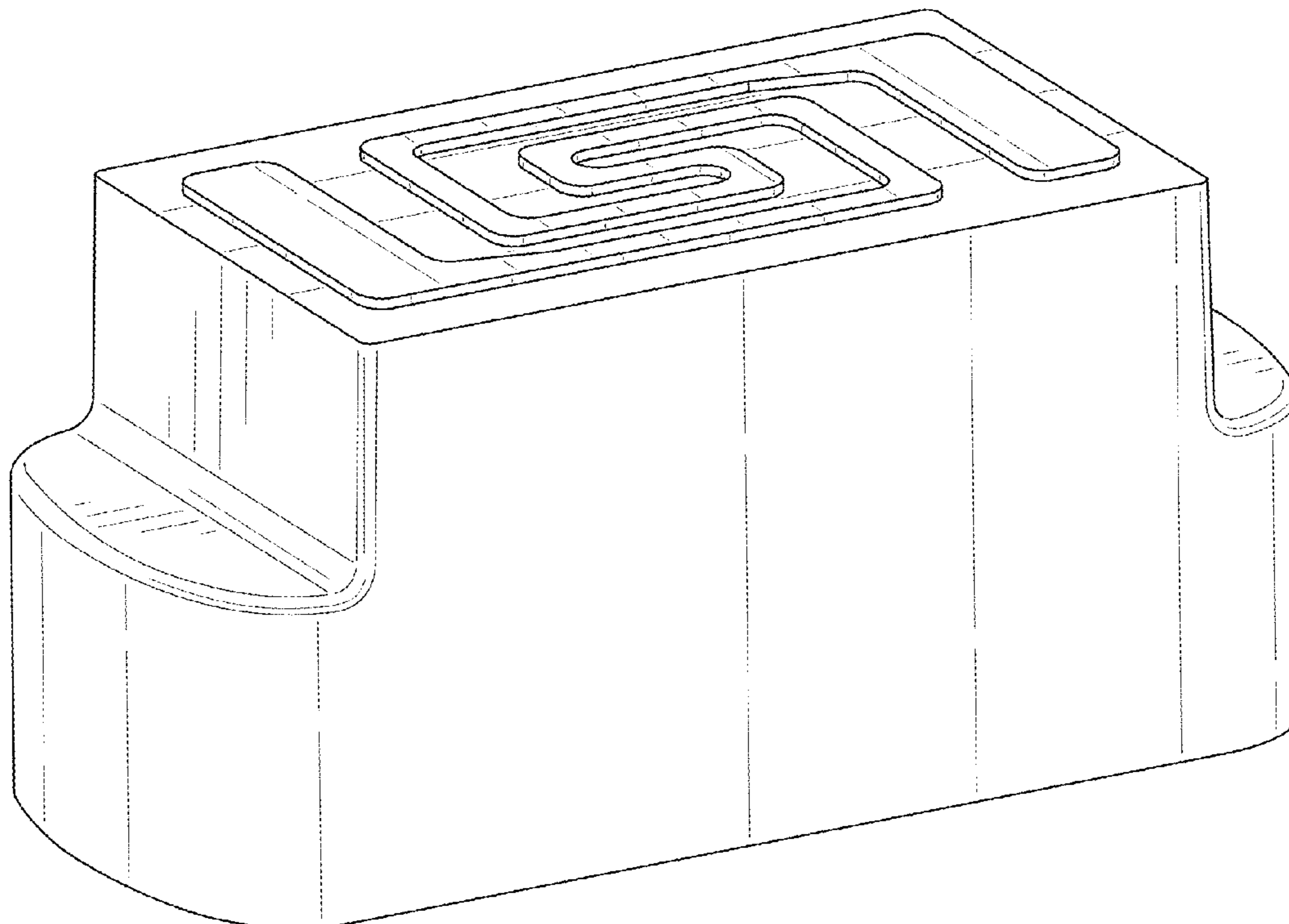
CPC A24F 47/002; A24F 47/004; A24F 47/006;
A24F 47/008; A61M 15/00; A61M 15/06

See application file for complete search history.

FIG. 1 is a perspective view of a heater for electronic cigarette showing my new design;
FIG. 2 is another perspective view thereof;
FIG. 3 is a front view thereof;
FIG. 4 is a rear view thereof;
FIG. 5 is a left view thereof;
FIG. 6 is a right view thereof;
FIG. 7 is a top view thereof; and,
FIG. 8 is a bottom view thereof.

The broken line portions of the heater for electronic cigarette in FIGS. 2 and 4 represent unclaimed portions of the claimed design and form no part thereof.

1 Claim, 7 Drawing Sheets



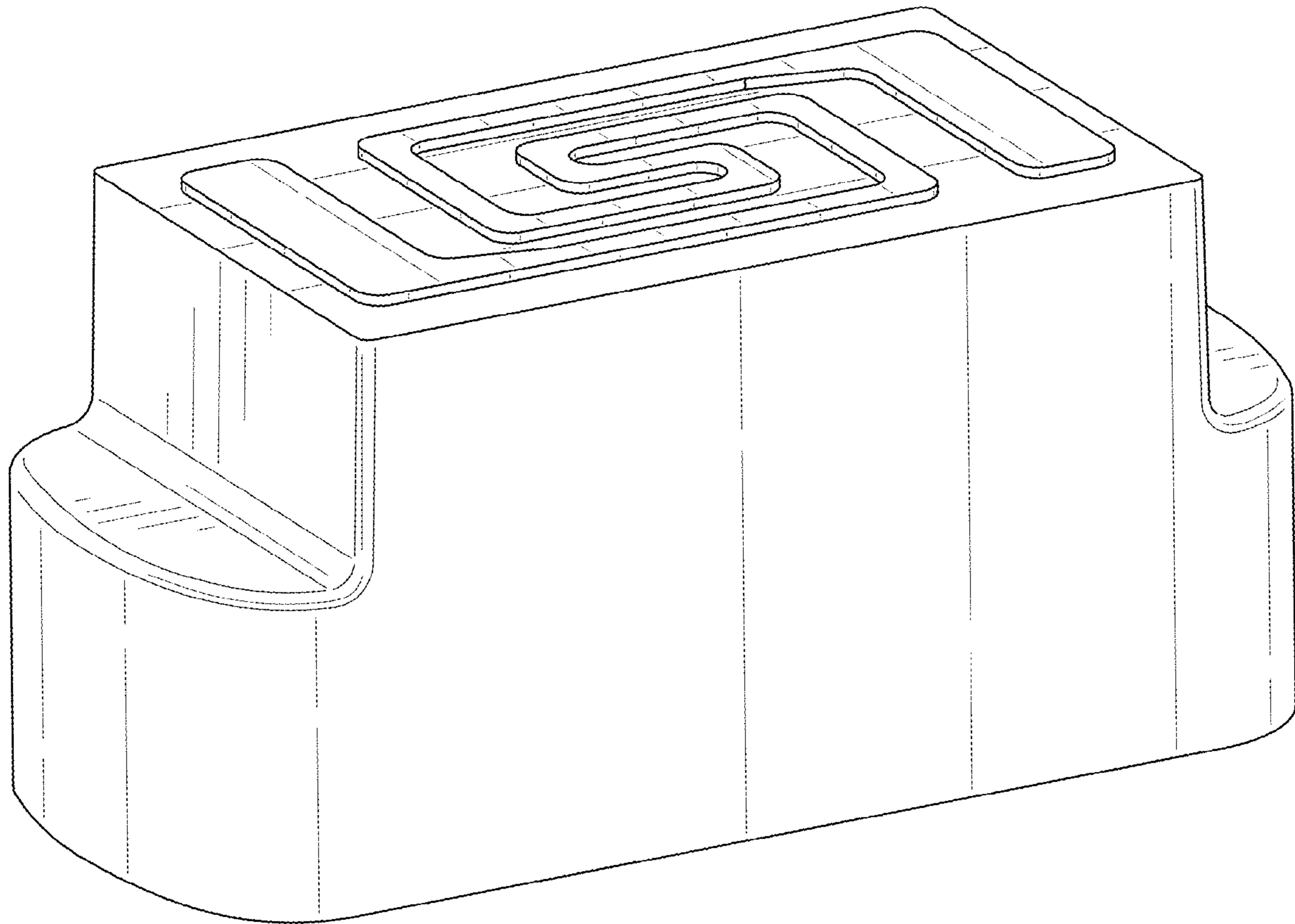


FIG. 1

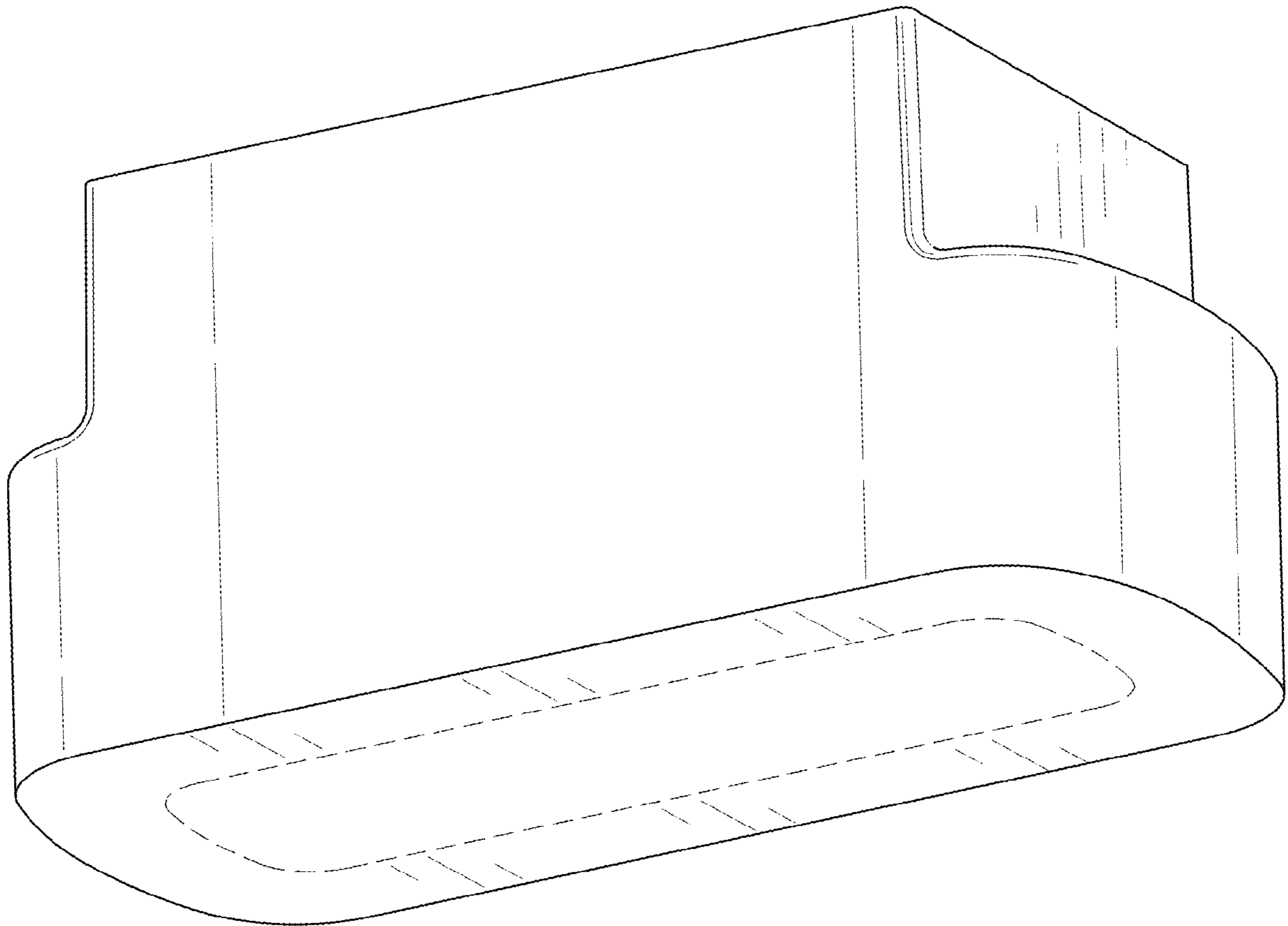


FIG. 2

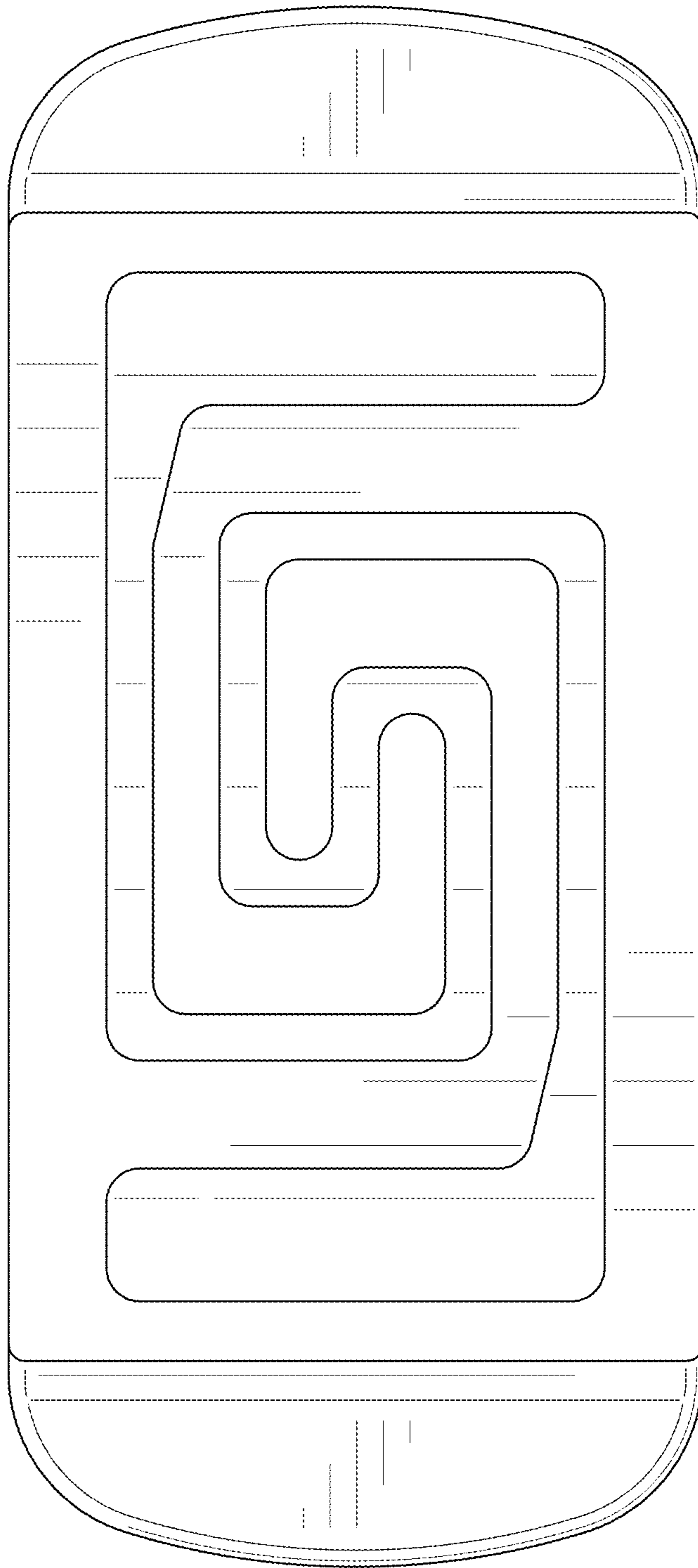


FIG. 3

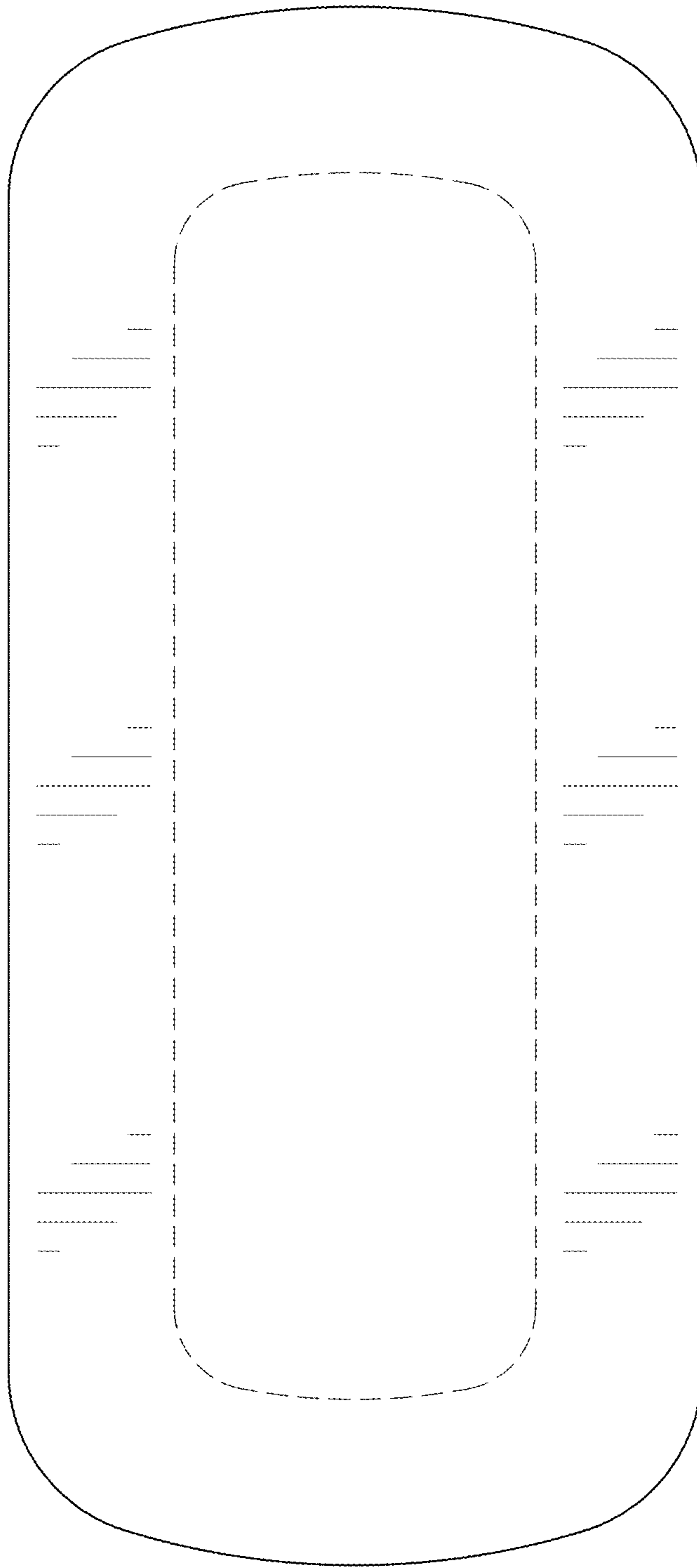


FIG. 4

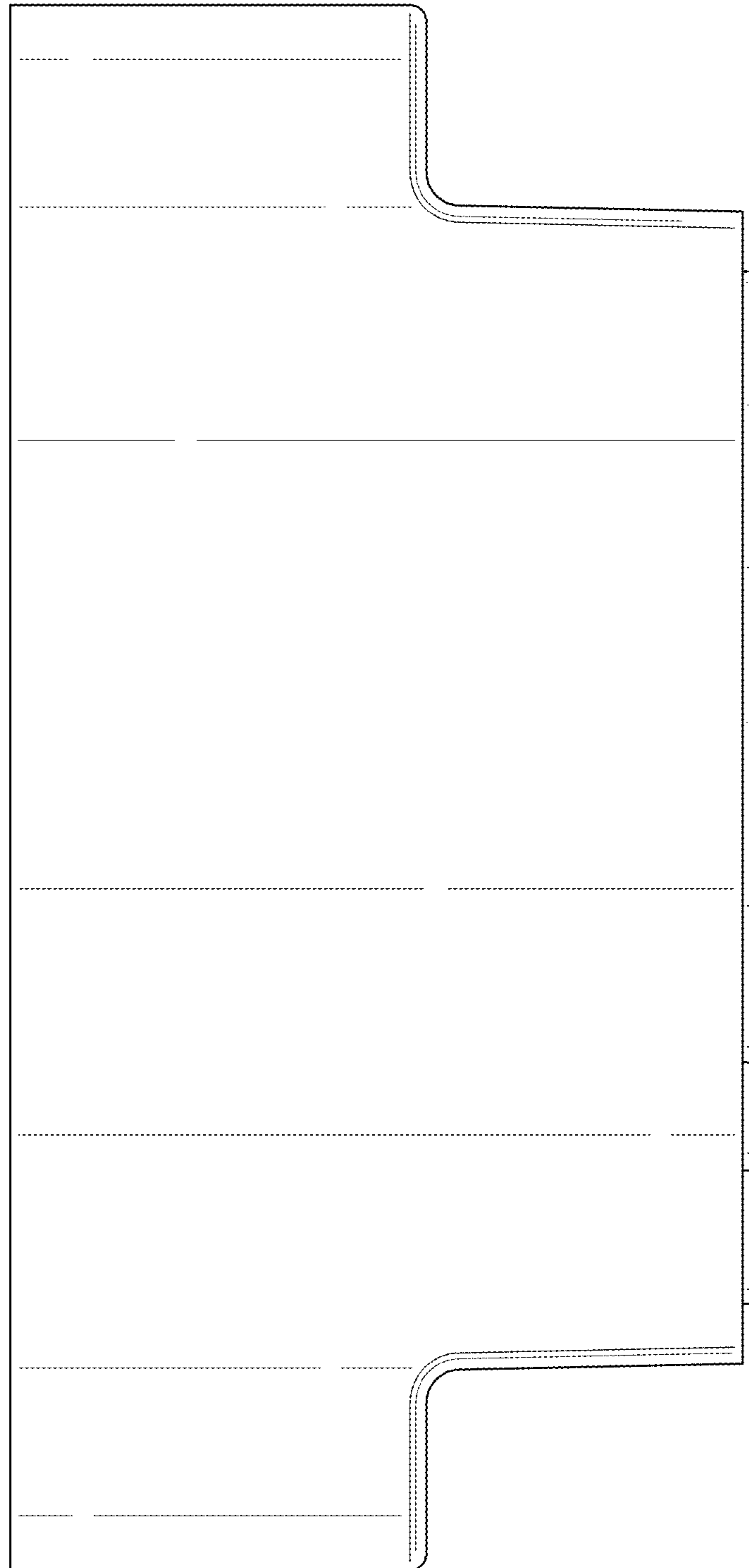


FIG. 5

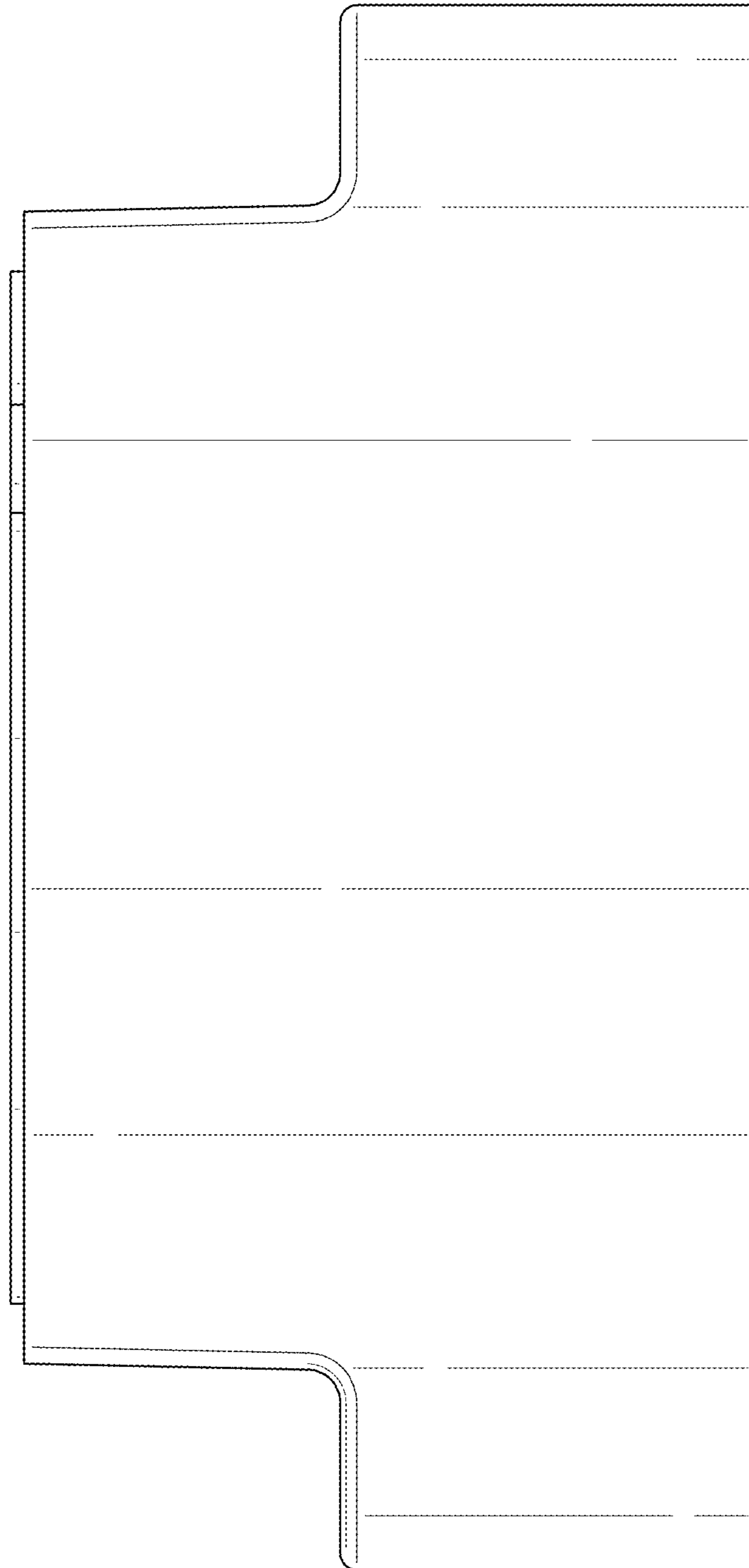


FIG. 6

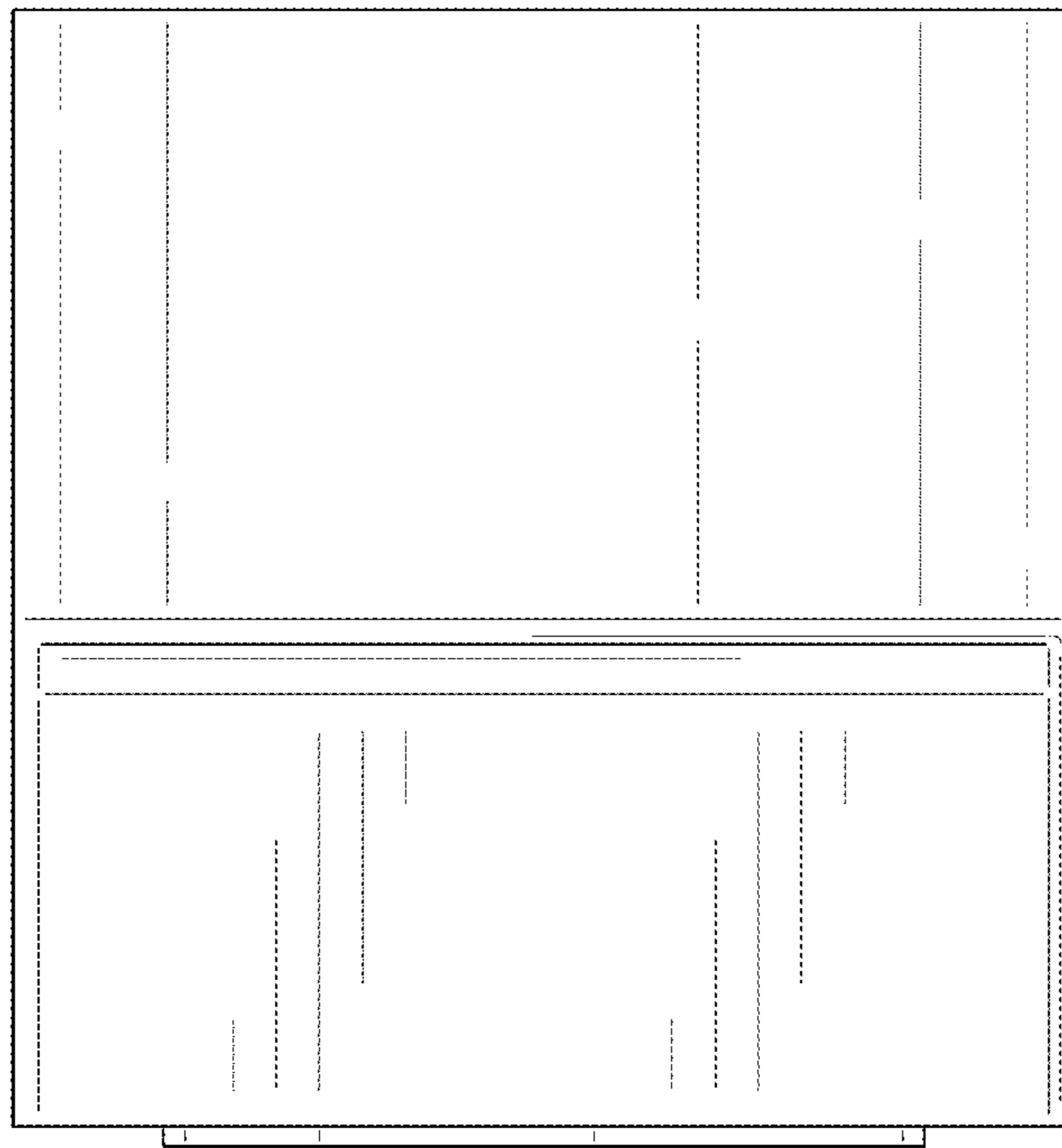


FIG. 7

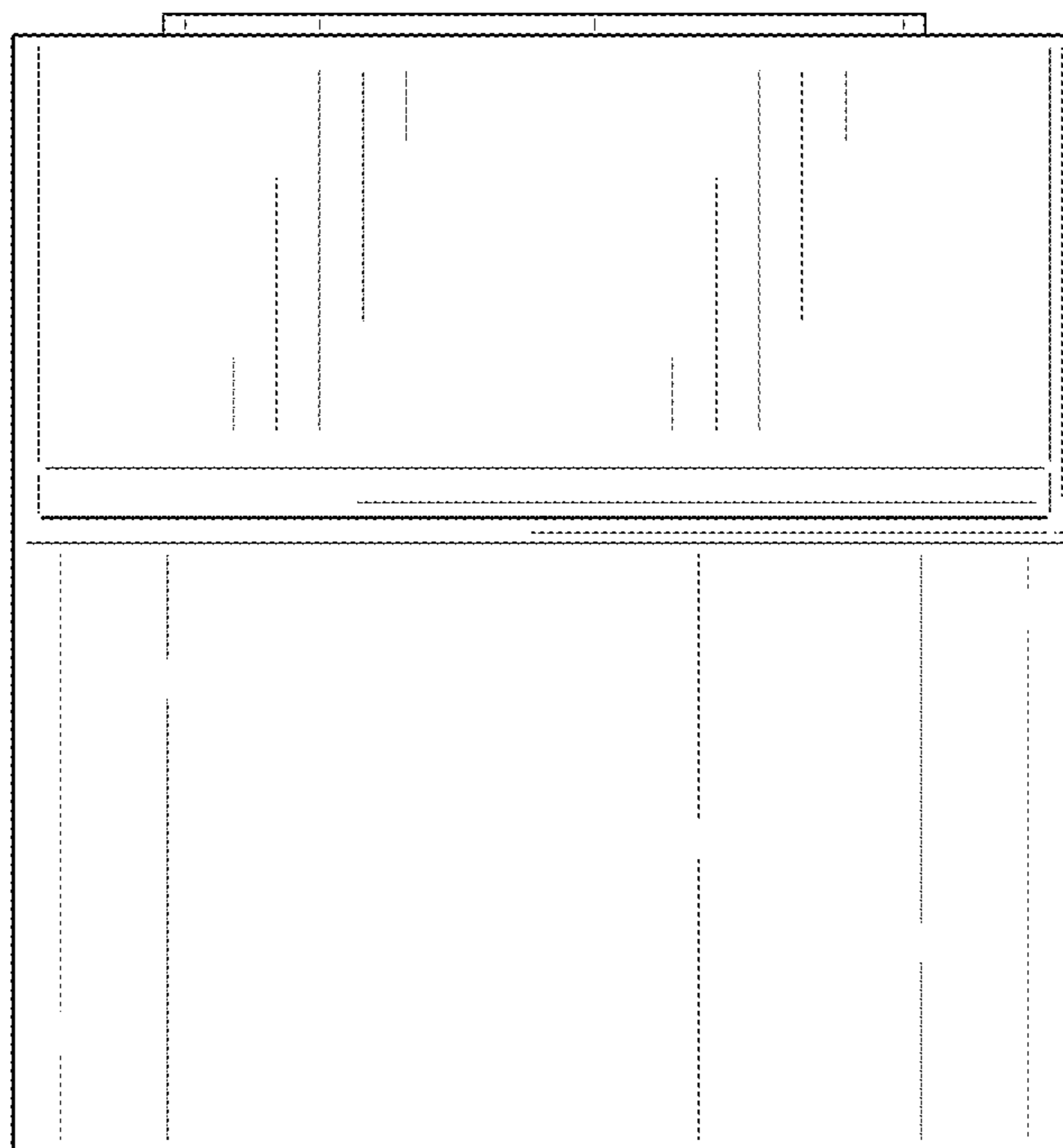


FIG. 8