



US00D943807S

(12) **United States Design Patent** (10) **Patent No.:** **US D943,807 S**
LeNoir et al. (45) **Date of Patent:** **** Feb. 15, 2022**

(54) **WATER PIPE**

(71) Applicant: **Session Corp.**, San Francisco, CA (US)

(72) Inventors: **Esther Joy LeNoir**, San Francisco, CA (US); **Vinh Do Pho**, San Francisco, CA (US); **Camden Lee Foley**, San Francisco, CA (US); **Samuel Timothy Davis Bertain**, San Francisco, CA (US)

(73) Assignee: **SESSION CORP.**, San Francisco, CA (US)

(**) Term: **15 Years**

(21) Appl. No.: **29/686,346**

(22) Filed: **Apr. 3, 2019**

(51) **LOC (13) Cl.** **27-02**

(52) **U.S. Cl.**
USPC **D27/162**

(58) **Field of Classification Search**
USPC D27/100, 101, 139, 141, 148, 161–171, D27/183, 185–194; D24/110, 110.5, 129, D24/113, 112; D13/108, 144, 103, 119, D13/146, 168; D23/360, 364–366, 202, D23/262, 209, 207; D19/66, 73, 115, D19/123, 173, 177, 923, 925–929, 934, D19/161–166, 194–196; D14/434, 480.5, D14/480.1, 480.3, 483, 484.1, 420, 426, D14/250, 137, 203.1, 203.3, 203.7, 218, D14/254, 411, 433–435, 435.1; D4/121; D9/500, 503, 504, 516, 517, 522, 523, D9/530, 531, 560, 444; D11/143, 156, D11/146, 54, 152, 149, 144; D28/85, 4,
(Continued)

(56) **References Cited**

U.S. PATENT DOCUMENTS

D139,381 S * 11/1944 Harris D9/504
2,831,596 A * 4/1958 Eyles A61J 11/008
215/11.1
D189,373 S * 11/1960 Lerner D9/539

(Continued)

OTHER PUBLICATIONS

Session Goods Water Pipe, Oct. 28, 2018 [online] [retrieved Sep. 30, 2020], Available from Internet, URL: <https://web.archive.org/web/20181028000841/https://uncrate.com/session-goods-water-pipe/>.*

Primary Examiner — Dana K Weiland

Assistant Examiner — Mary Claire Ramirez

(74) *Attorney, Agent, or Firm* — Duane Morris LLP; Wei-Sern Cheah

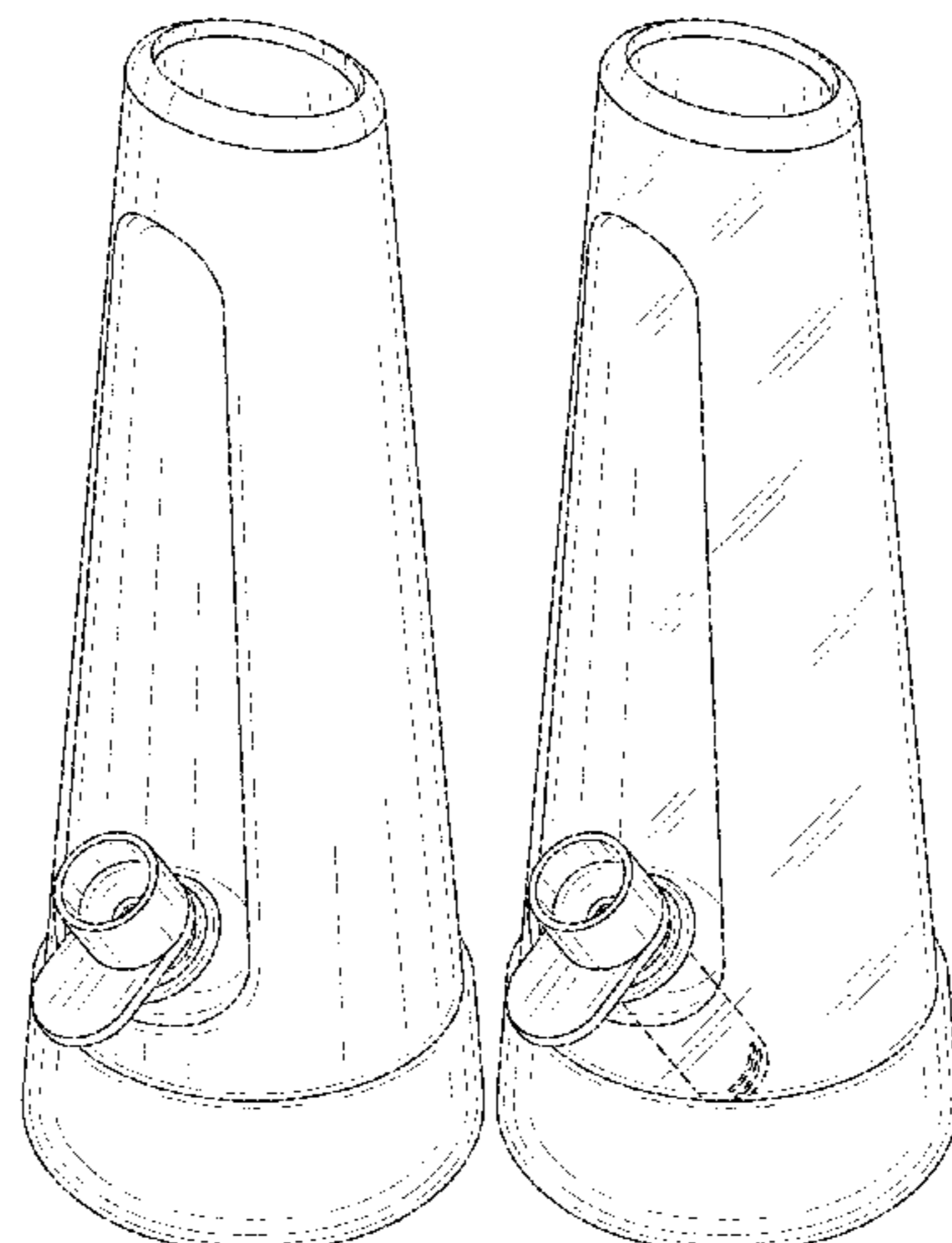
(57) **CLAIM**

The ornamental design for a water pipe, as shown and described.

DESCRIPTION

FIG. 1 is a top front perspective view of a water pipe, under a first embodiment;
FIG. 2 is a front view of the water pipe of FIG. 1;
FIG. 3 is a right view of the water pipe of FIG. 1;
FIG. 4 is a left view of the water pipe of FIG. 1;
FIG. 5 is a rear view of the water pipe of FIG. 1;
FIG. 6 is a bottom view of the water pipe of FIG. 1;
FIG. 7 is a top view of the water pipe of FIG. 1;
FIG. 8 is a top front perspective view of the water pipe, under a second embodiment;
FIG. 9 is a front view of the water pipe of FIG. 8;
FIG. 10 is a right view of the water pipe of FIG. 8;
FIG. 11 is a left view of the water pipe of FIG. 8;
FIG. 12 is a rear view of the water pipe of FIG. 8;
FIG. 13 is a bottom view of the water pipe of FIG. 8; and,
FIG. 14 is a top view of the water pipe of FIG. 8.
The use of broken lines shown in select drawings depict portions of the water pipe that form no part of the claimed design.

1 Claim, 8 Drawing Sheets



- (58) **Field of Classification Search**
 USPC D28/7, 88, 90, 73–76, 77; D3/201, 11,
 D3/13, 17, 273, 274, 300, 269; D21/333
 CPC A24F 40/00; A24F 40/40; A24F 40/42;
 A24F 40/05; A24F 40/46; A24F 47/002;
 A24F 47/008; A24D 1/14; A24D 1/042;
 A24D 1/02; G06F 3/03545
 See application file for complete search history.

(56) **References Cited**

U.S. PATENT DOCUMENTS

D203,008 S * 11/1965 Ota D28/91.1
 3,289,897 A * 12/1966 Ginsberg B67D 1/02
 222/239
 D223,438 S * 4/1972 Lluch D9/539
 D237,863 S * 12/1975 Peters et al. D9/529
 D244,531 S * 5/1977 Klingaman D23/225
 D305,193 S * 12/1989 Sajadieh D7/509
 D359,369 S * 6/1995 Caplette D26/11
 D373,730 S * 9/1996 Baron D9/504
 D420,448 S * 2/2000 Brown D24/197
 D423,107 S * 4/2000 Brown D24/197
 D440,157 S * 4/2001 Lichtman D9/539
 D460,696 S * 7/2002 Goettner D9/539
 D462,270 S * 9/2002 Renz D9/537
 D462,615 S * 9/2002 Weil D9/428
 D463,262 S * 9/2002 Gobe D9/689
 D463,734 S * 10/2002 Gobe D9/691
 D463,756 S * 10/2002 Vea D11/152
 D475,927 S * 6/2003 Maddy D9/503

D480,272 S * 10/2003 Yang D7/598
 D486,394 S * 2/2004 Bakic D9/520
 D495,186 S * 8/2004 Poupel D7/300.1
 D497,441 S * 10/2004 Therrien D26/9
 D522,866 S * 6/2006 Bakic D9/521
 D563,222 S * 3/2008 Yamanaka D9/447
 D567,009 S * 4/2008 Bodum D7/312
 D582,063 S * 12/2008 Spangler D26/22
 D597,598 S * 8/2009 Ma D19/163
 D605,953 S * 12/2009 Wang Treadway D9/689
 D620,756 S * 8/2010 Lown D7/510
 D620,807 S * 8/2010 Treadway D9/691
 D621,220 S * 8/2010 Lown D7/510
 D646,920 S * 10/2011 Sheppard D7/316
 D647,243 S * 10/2011 Kong D26/110
 D650,696 S * 12/2011 Peden, III D9/686
 D661,939 S * 6/2012 Kern D7/316
 D664,202 S * 7/2012 Shu D19/85
 D743,488 S * 11/2015 Jun D19/190
 D755,059 S * 5/2016 Prada D9/685
 D789,148 S * 6/2017 Hornung D7/507
 D795,074 S * 8/2017 Staab D9/504
 D857,510 S * 8/2019 Maquita Nakano D9/539
 D865,440 S * 11/2019 Lowette D7/392
 D878,875 S * 3/2020 Nagao D7/608
 D887,764 S * 6/2020 Henkel D7/316
 D899,943 S * 10/2020 Lo D9/689
 D904,197 S * 12/2020 Sanghavi D9/540
 D909,665 S * 2/2021 Volodarsky D27/162
 D914,961 S * 3/2021 Li D27/162
 2020/0315246 A1 * 10/2020 LeNoir A24F 5/00
 2020/0375246 A1 * 12/2020 LeNoir A24F 3/00

* cited by examiner

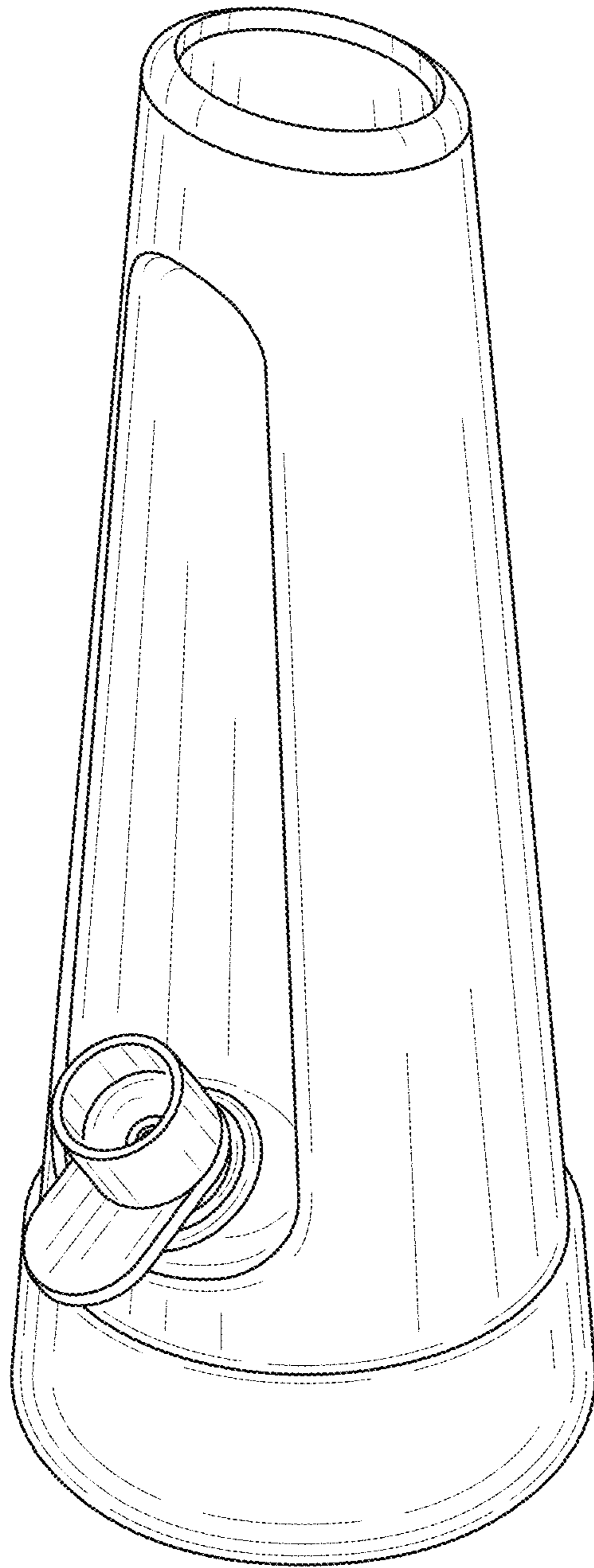


FIG. 1

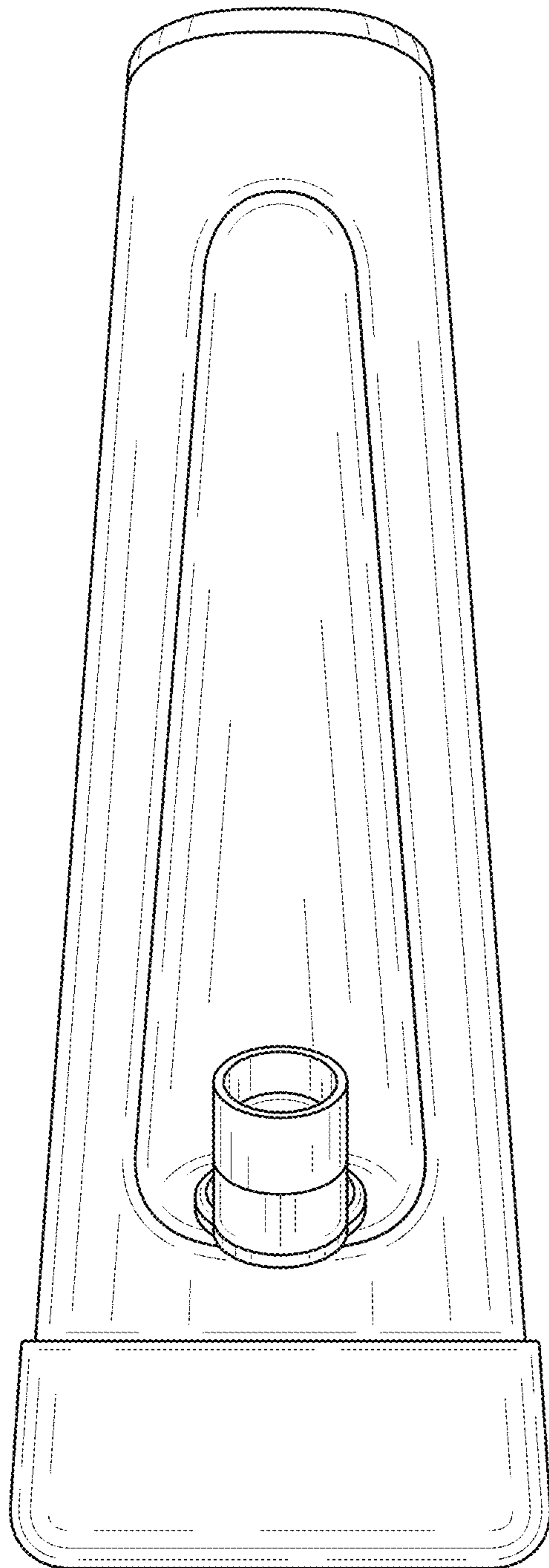


FIG. 2

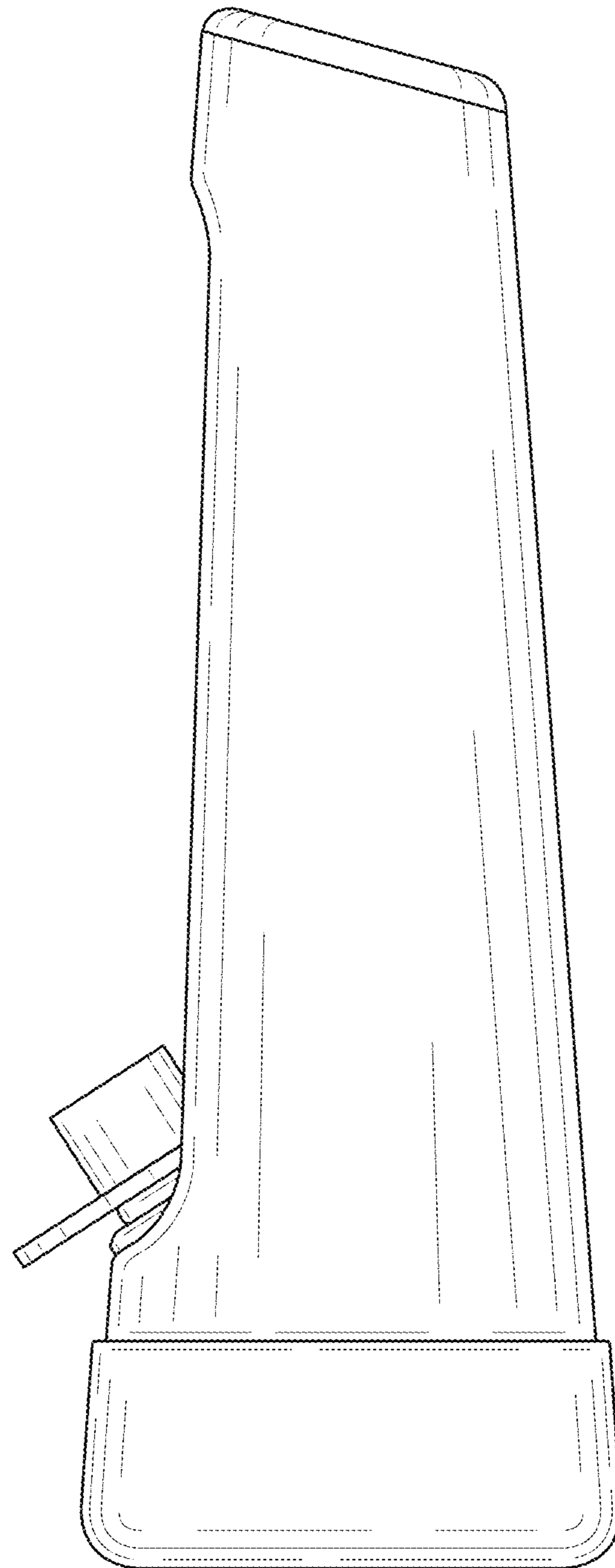


FIG. 3

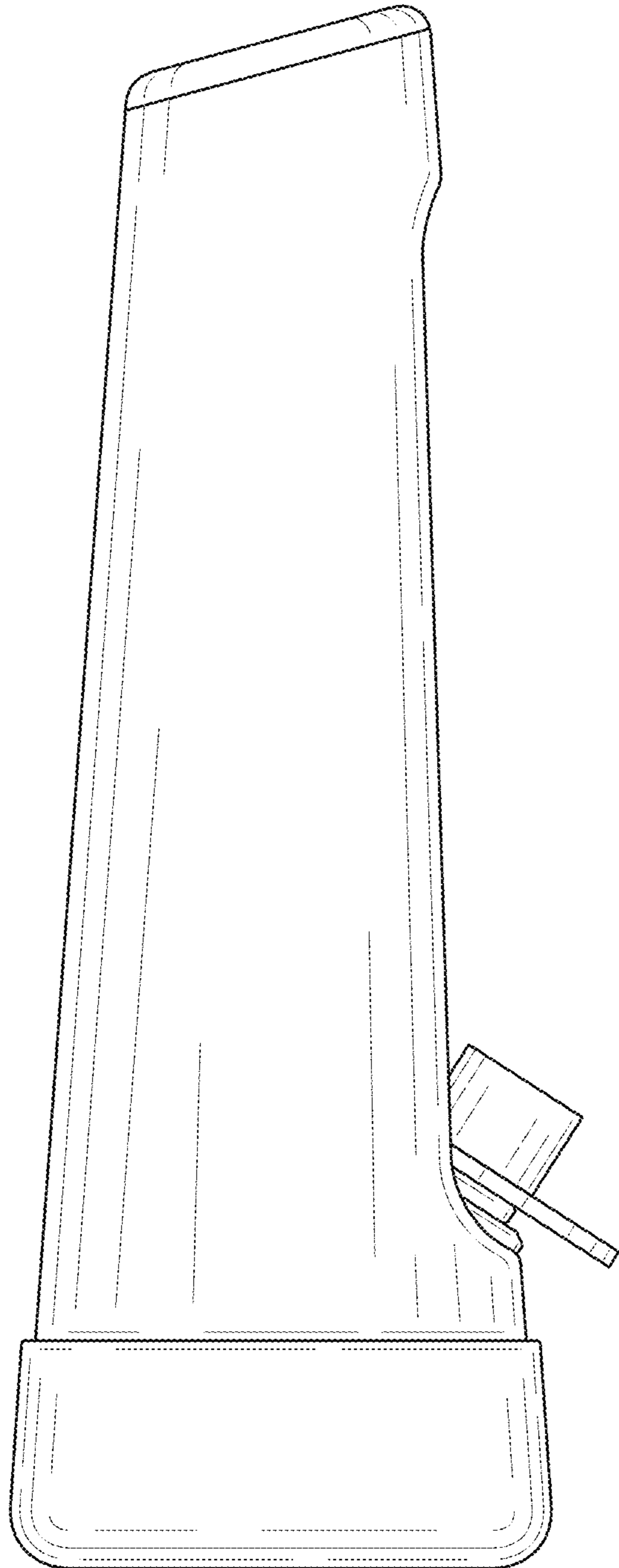


FIG. 4

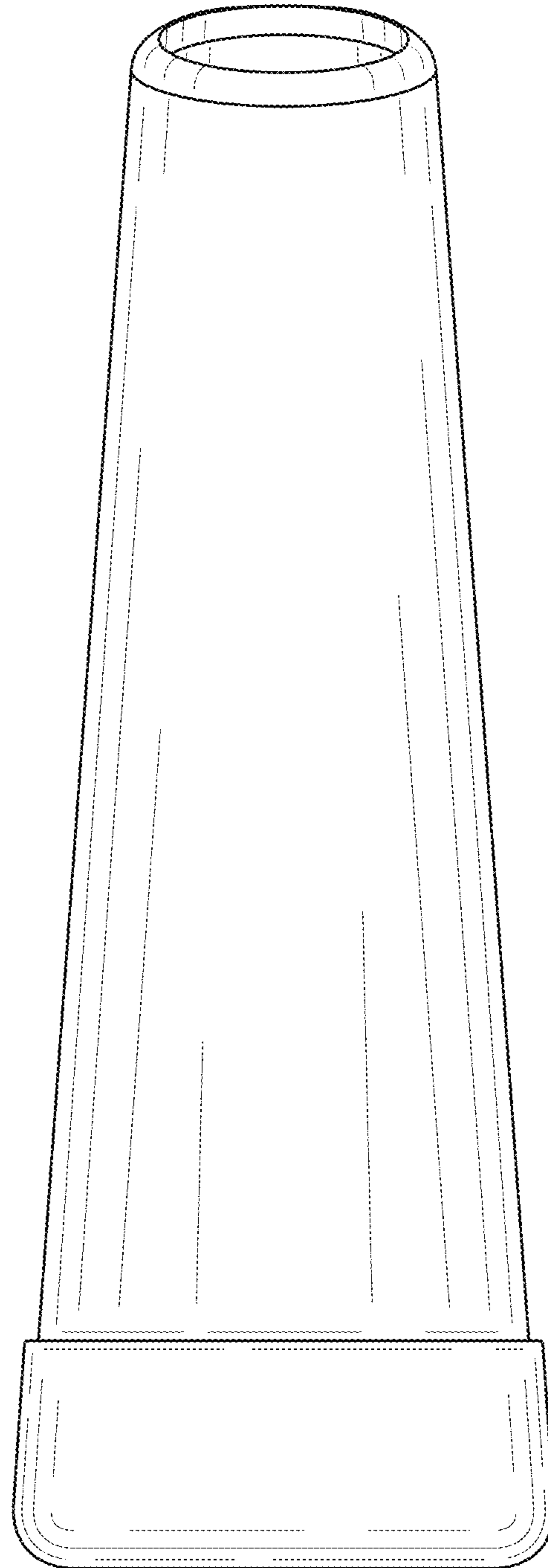


FIG. 5

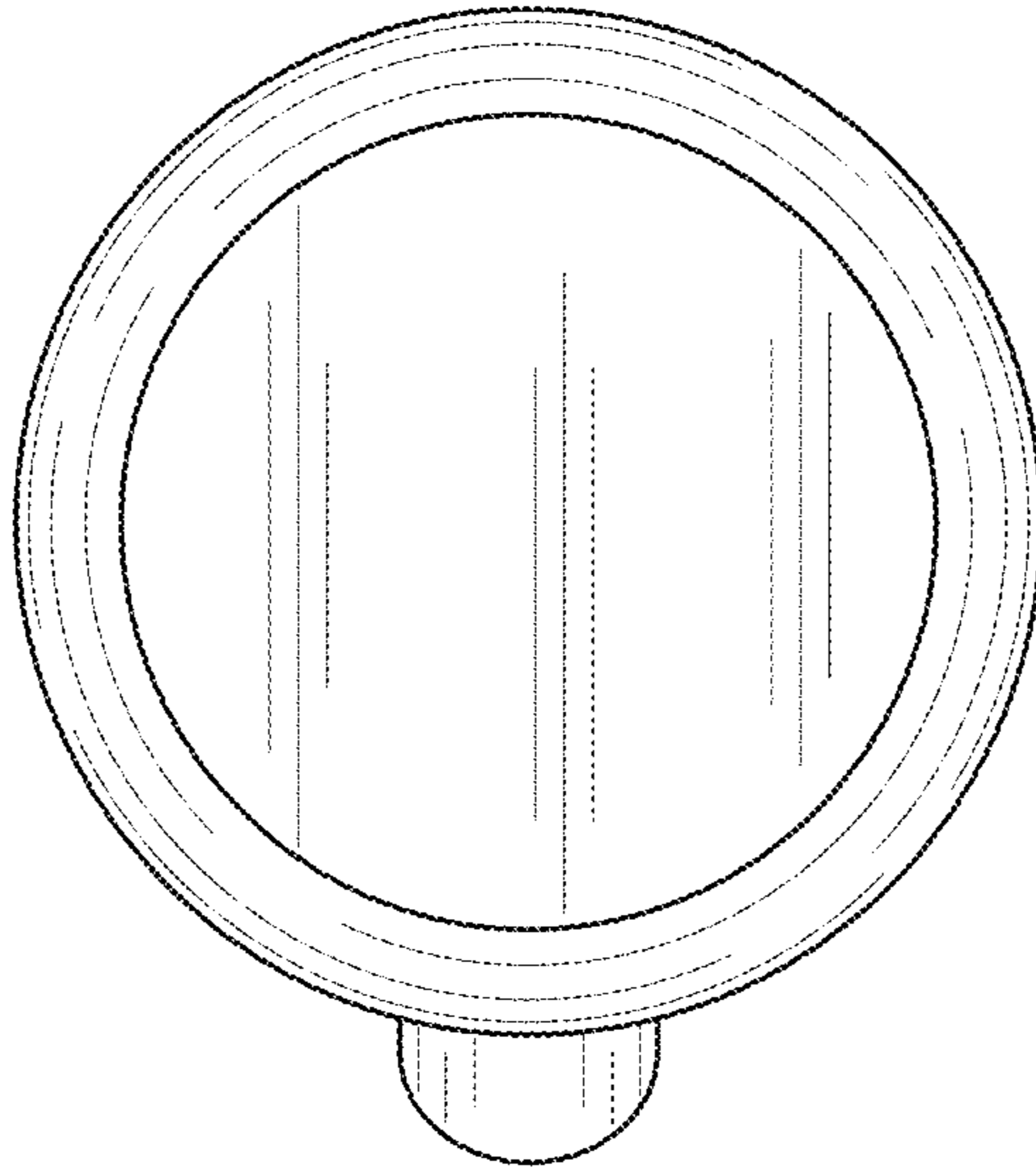


FIG. 6

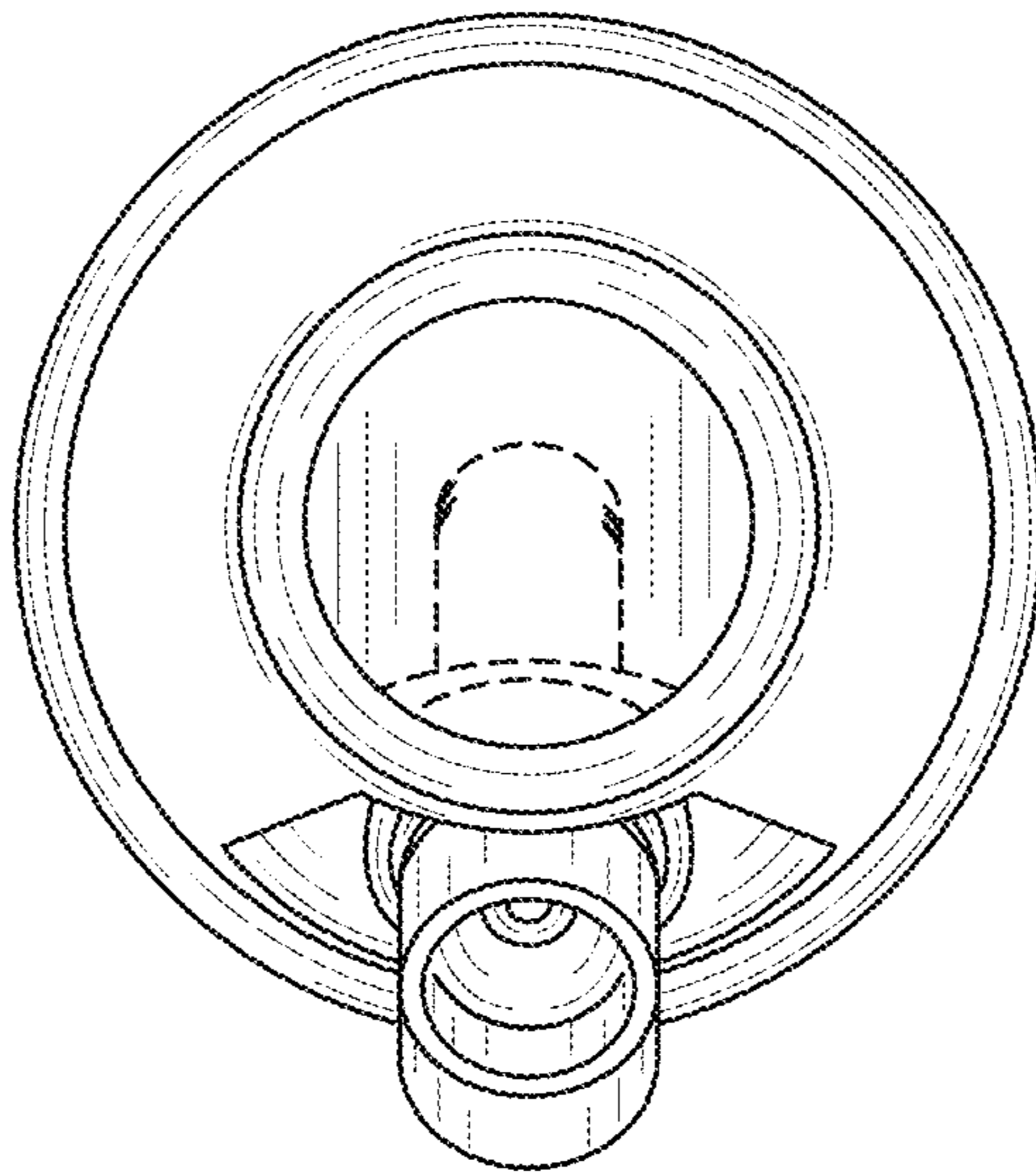


FIG. 7

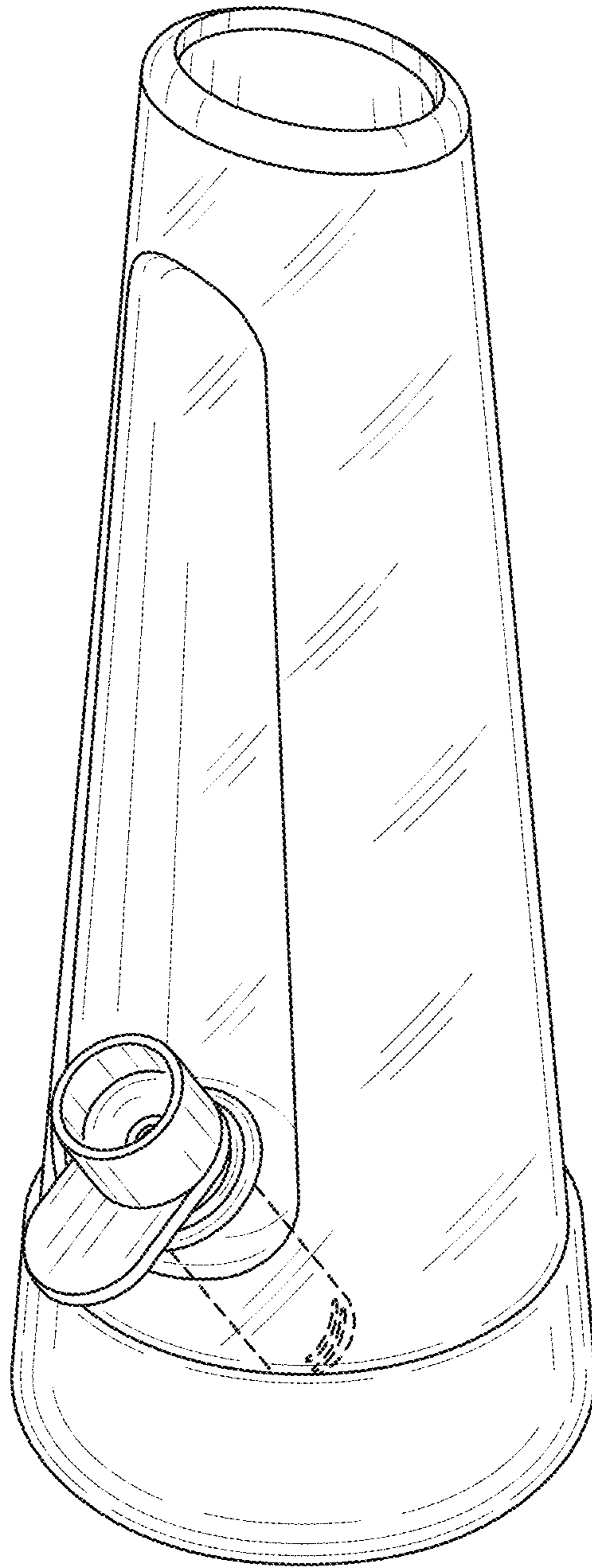


FIG. 8

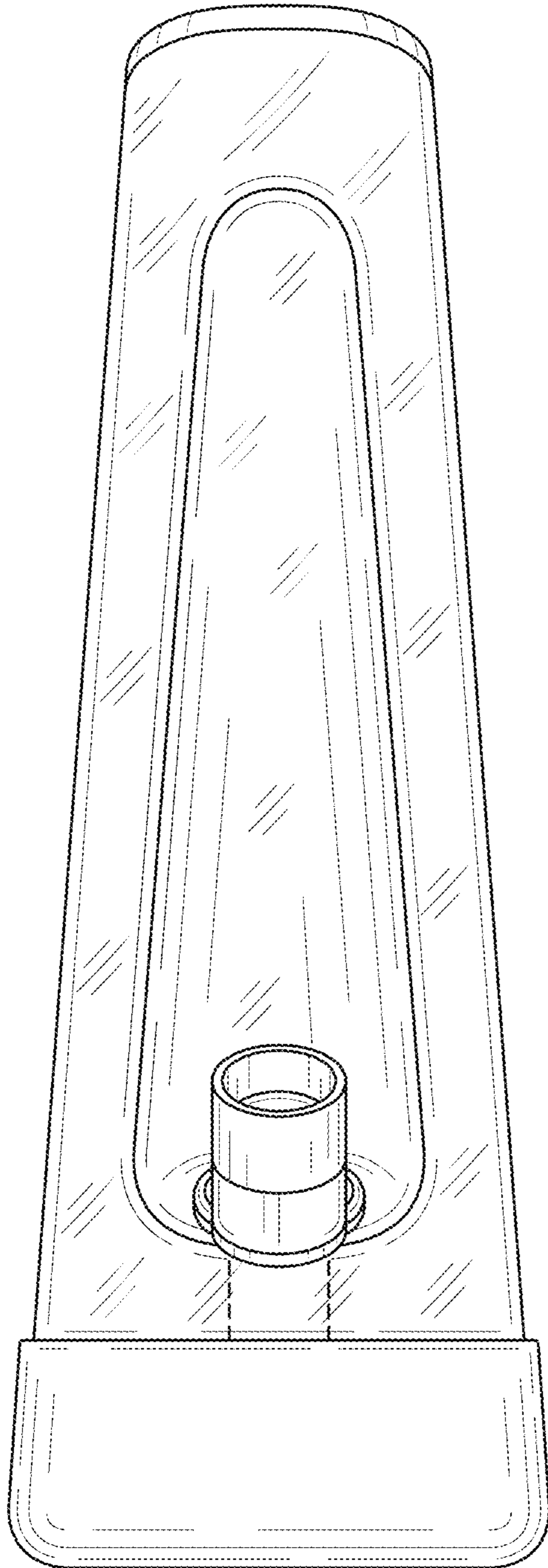


FIG. 9

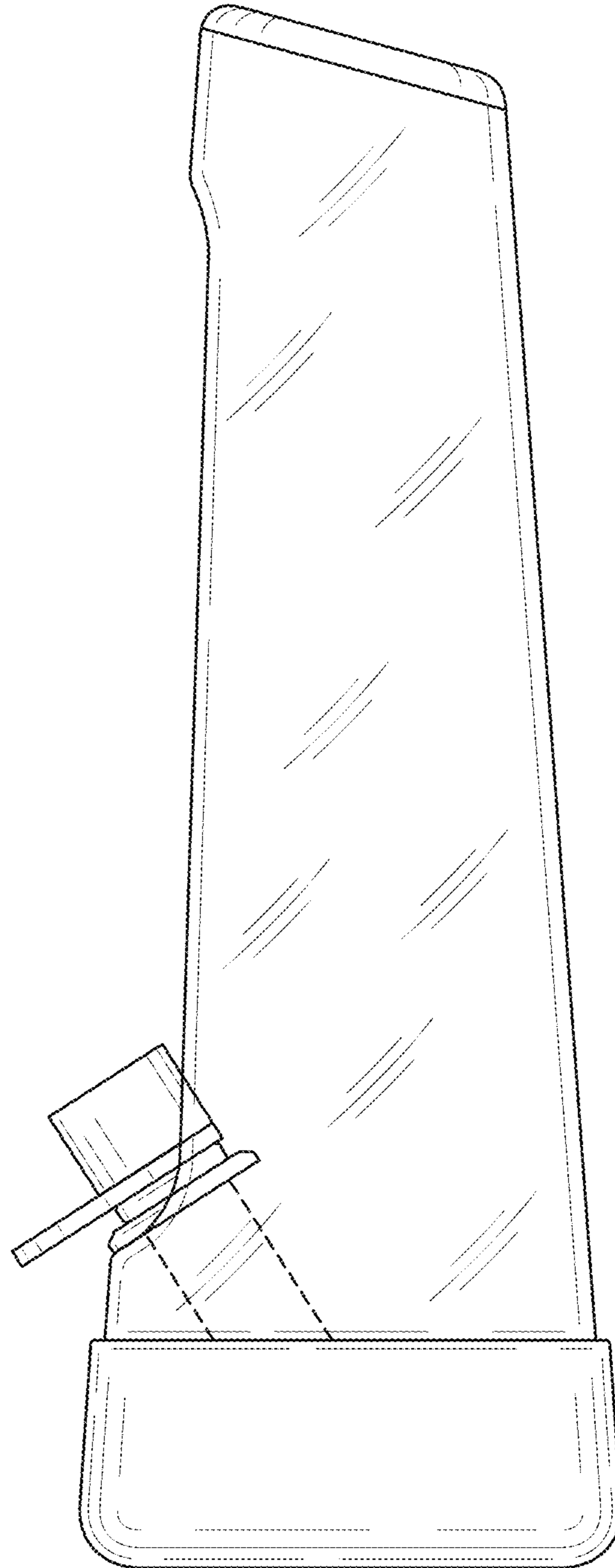


FIG. 10

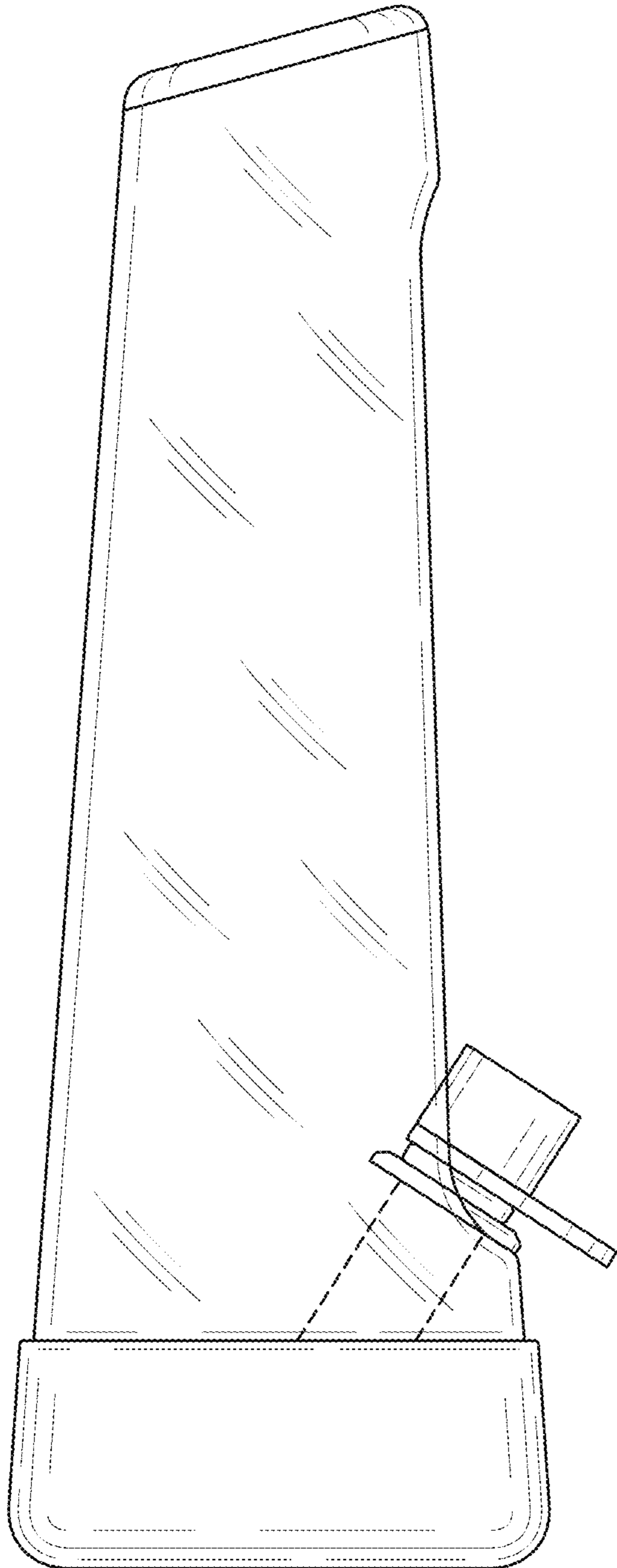


FIG. 11

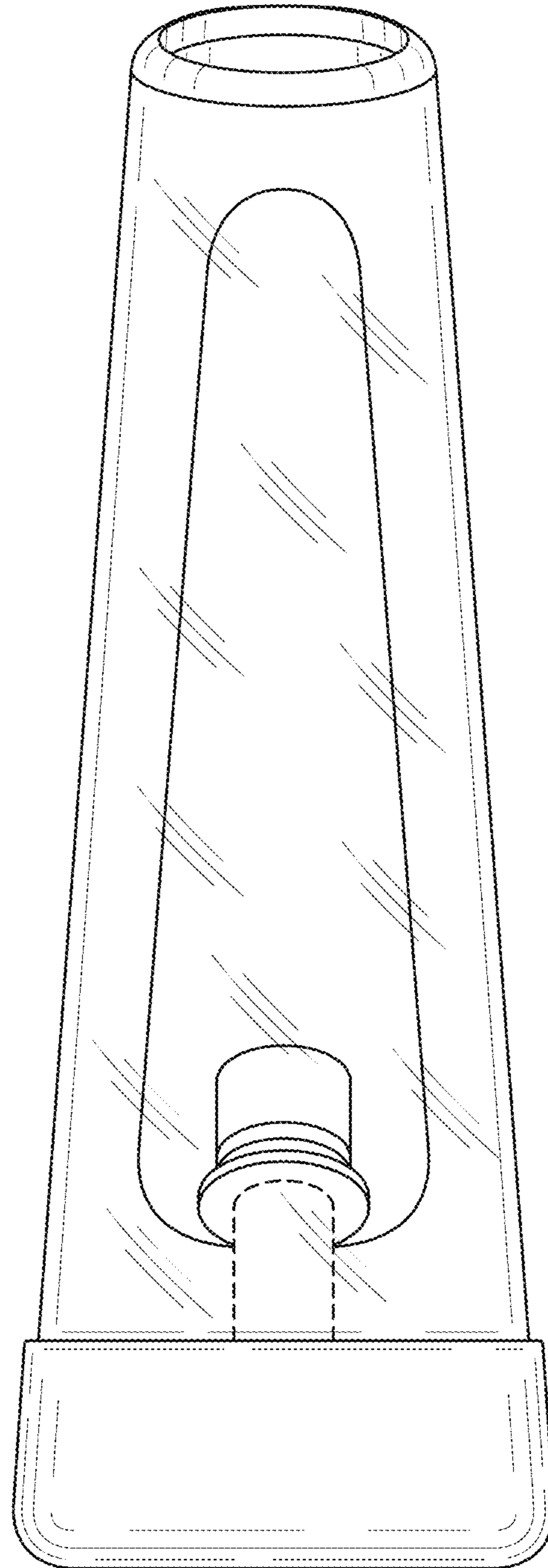


FIG. 12

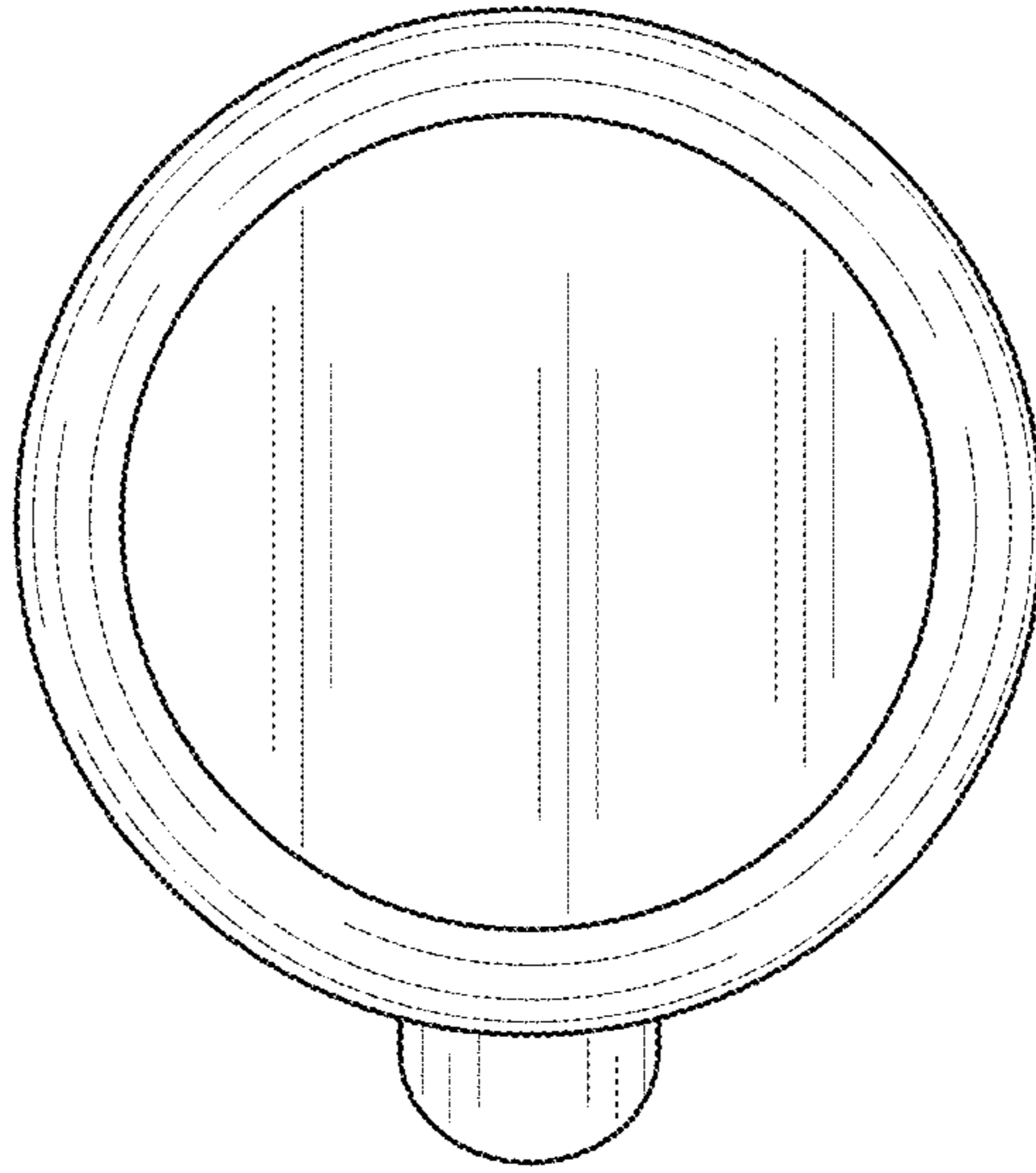


FIG. 13

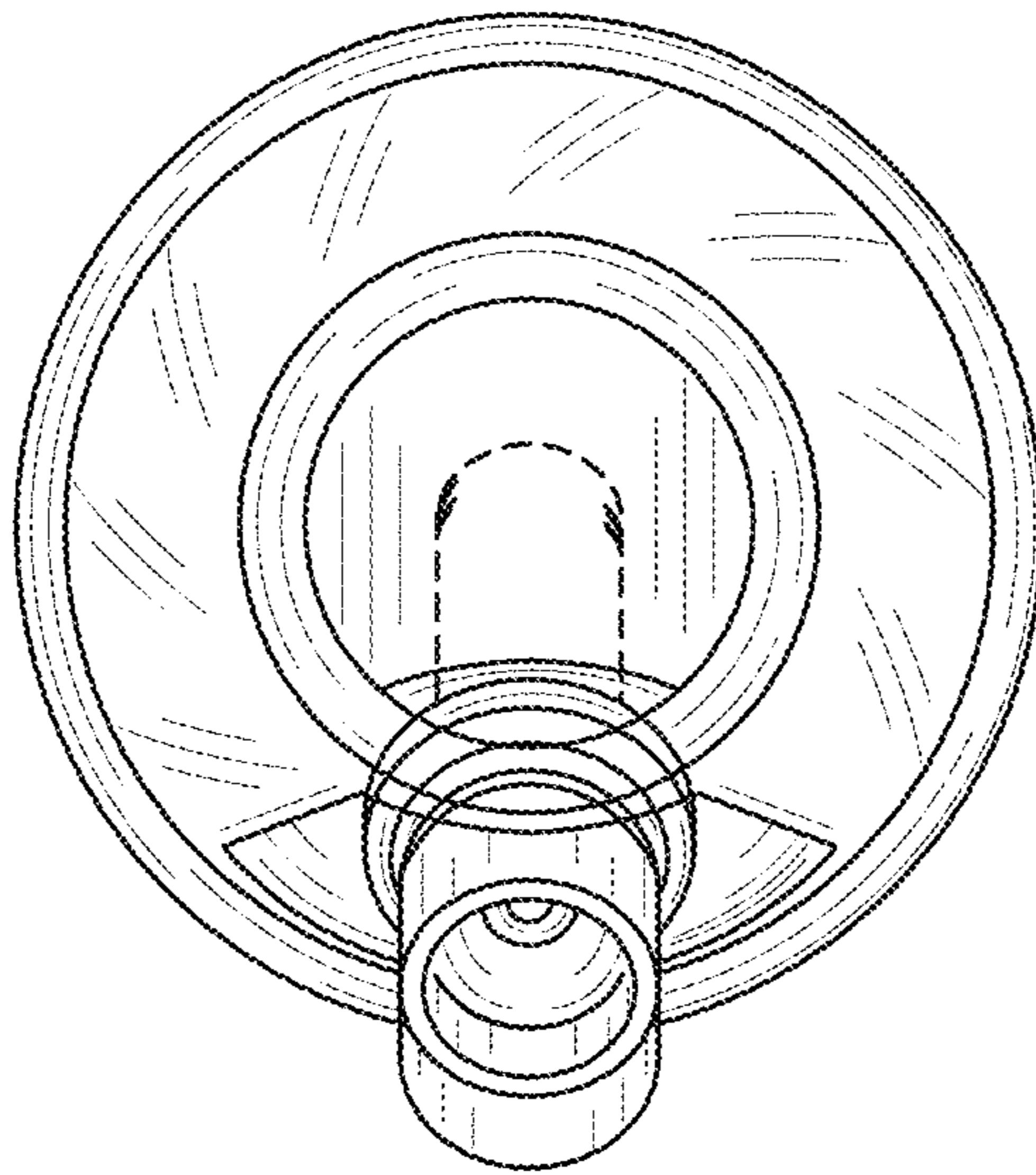


FIG. 14