



US00D943806S

(12) **United States Design Patent**  
**Filleul et al.**

(10) **Patent No.:** **US D943,806 S**  
(45) **Date of Patent:** **\*\* Feb. 15, 2022**

(54) **BASE PART OF AN ELECTRONIC VAPING DEVICE**

(71) Applicant: **Altria Client Services LLC**,  
Richmond, VA (US)

(72) Inventors: **Bayden Filleul**, Dublin (IE); **Michael Nolan**, Dublin (IE); **Florent Cuchet**, Stockholm (SE)

(73) Assignee: **Altria Client Services LLC**,  
Richmond, VA (US)

(\*\*) Term: **15 Years**

(21) Appl. No.: **29/657,302**

(22) Filed: **Jul. 20, 2018**

(30) **Foreign Application Priority Data**

Jan. 24, 2018 (EM) ..... 004678688-0001  
Jan. 24, 2018 (EM) ..... 004678688-0002  
(Continued)

(51) **LOC (13) Cl.** ..... **27-02**

(52) **U.S. Cl.**  
USPC ..... **D27/162**

(58) **Field of Classification Search**  
USPC ..... D27/162, 100, 101, 163, 164, 165-172,  
D27/174, 175, 176, 183, 185-194;  
D24/110, 110.5; D23/366; D13/108  
(Continued)

(56) **References Cited**

**U.S. PATENT DOCUMENTS**

D644,375 S 8/2011 Zhou  
D658,807 S 5/2012 Aboushi  
(Continued)

**OTHER PUBLICATIONS**

Notice of Allowance dated Jan. 8, 2020, issued in corresponding U.S. Appl. No. 29/657,300.

(Continued)

*Primary Examiner* — Marissa J Cash  
*Assistant Examiner* — Rebecca Tsehaye  
(74) *Attorney, Agent, or Firm* — Harness, Dickey & Pierce, P.L.C.

(57) **CLAIM**

The ornamental design for an base part of an electronic vaping device, as shown and described.

**DESCRIPTION**

FIG. 1 is a front-top perspective view of a base part of an electronic vaping device according to a first embodiment; FIG. 2 is a front view of a base part of an electronic vaping device shown in FIG. 1; FIG. 3 is a rear view of a base part of an electronic vaping device shown in FIG. 1; FIG. 4 is a left side view of a base part of an electronic vaping device shown in FIG. 1; FIG. 5 is a right side view of a base part of an electronic vaping device shown in FIG. 1; FIG. 6 is a top view of a base part of an electronic vaping device shown in FIG. 1; FIG. 7 is a bottom view of a base part of an electronic vaping device shown in FIG. 1; FIG. 8 is a rear-bottom perspective view of a base part of an electronic vaping device shown in FIG. 1; FIG. 9 is a front-top perspective view of a base part of an electronic vaping device according to a second embodiment; FIG. 10 is a front view of a base part of an electronic vaping device shown in FIG. 9; FIG. 11 is a rear view of a base part of an electronic vaping device shown in FIG. 9; FIG. 12 is a left side view of a base part of an electronic vaping device shown in FIG. 9; FIG. 13 is a right side view of a base part of an electronic vaping device shown in FIG. 9; FIG. 14 is a top view of a base part of an electronic vaping device shown in FIG. 9; FIG. 15 is a bottom view of a base part of an electronic vaping device shown in FIG. 9;

(Continued)

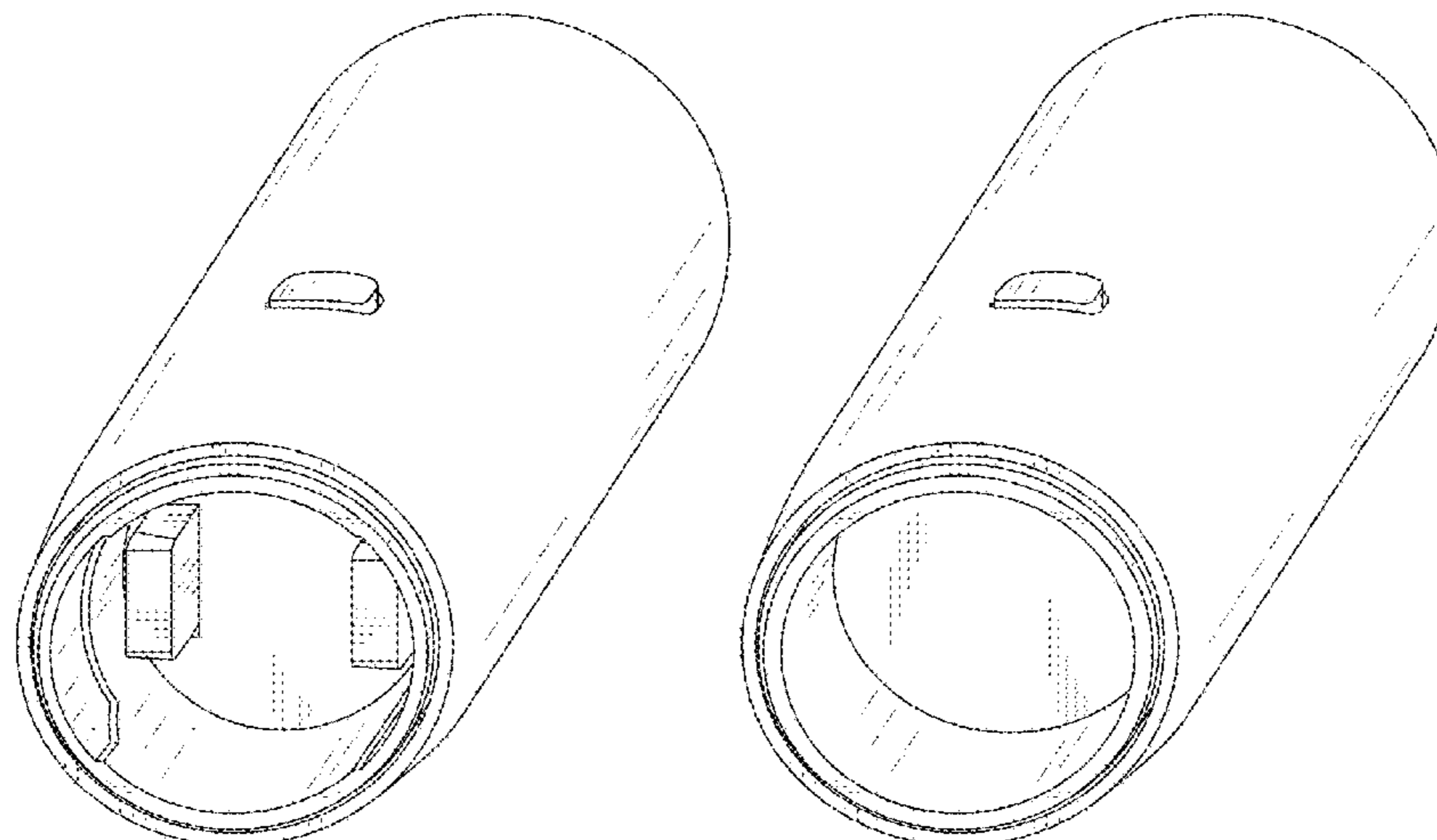


FIG. 16 is a rear-bottom perspective view of a base part of an electronic vaping device shown in FIG. 9;  
 FIG. 17 is a front-top perspective view of a base part of an electronic vaping device according to a third embodiment;  
 FIG. 18 is a front view of a base part of an electronic vaping device shown in FIG. 17;  
 FIG. 19 is a rear view of a base part of an electronic vaping device shown in FIG. 17;  
 FIG. 20 is a left side view of a base part of an electronic vaping device shown in FIG. 17;  
 FIG. 21 is a right side view of a base part of an electronic vaping device shown in FIG. 17;  
 FIG. 22 is a top view of a base part of an electronic vaping device shown in FIG. 17;  
 FIG. 23 is a bottom view of a base part of an electronic vaping device shown in FIG. 17;  
 FIG. 24 is a rear-bottom perspective view of a base part of an electronic vaping device shown in FIG. 17;  
 FIG. 25 is a front-top perspective view of a base part of an electronic vaping device according to a fourth embodiment;  
 FIG. 26 is a front view of a base part of an electronic vaping device shown in FIG. 25;  
 FIG. 27 is a rear view of a base part of an electronic vaping device shown in FIG. 25;  
 FIG. 28 is a left side view of a base part of an electronic vaping device shown in FIG. 25;  
 FIG. 29 is a right side view of a base part of an electronic vaping device shown in FIG. 25;  
 FIG. 30 is a top view of a base part of an electronic vaping device shown in FIG. 25;  
 FIG. 31 is a bottom view of a base part of an electronic vaping device shown in FIG. 25; and,  
 FIG. 32 is a rear-bottom perspective view of a base part of an electronic vaping device shown in FIG. 25.  
 The tapered end portion of the mouthpiece having the oval opening can be opaque, transparent or semitransparent. The shading lines in the figures show contour and not surface ornamentation.

**1 Claim, 32 Drawing Sheets**

(30) **Foreign Application Priority Data**

Jan. 24, 2018 (EM) ..... 004678688-0003  
 Jan. 24, 2018 (EM) ..... 004678688-0004  
 Jan. 24, 2018 (EM) ..... 004678688-0005  
 Jan. 24, 2018 (EM) ..... 004678688-0006  
 Jan. 24, 2018 (EM) ..... 004678688-0007  
 Jan. 24, 2018 (EM) ..... 004678688-0008  
 Jan. 24, 2018 (EM) ..... 004678688-0009  
 Jan. 24, 2018 (EM) ..... 004678688-0010  
 Jan. 24, 2018 (EM) ..... 004678688-0011  
 Jan. 24, 2018 (EM) ..... 004678688-0012

(58) **Field of Classification Search**

CPC .... A24F 47/002; A24F 47/006; A24F 47/008;  
 A61M 15/00; A61M 15/06  
 See application file for complete search history.

(56)

**References Cited**

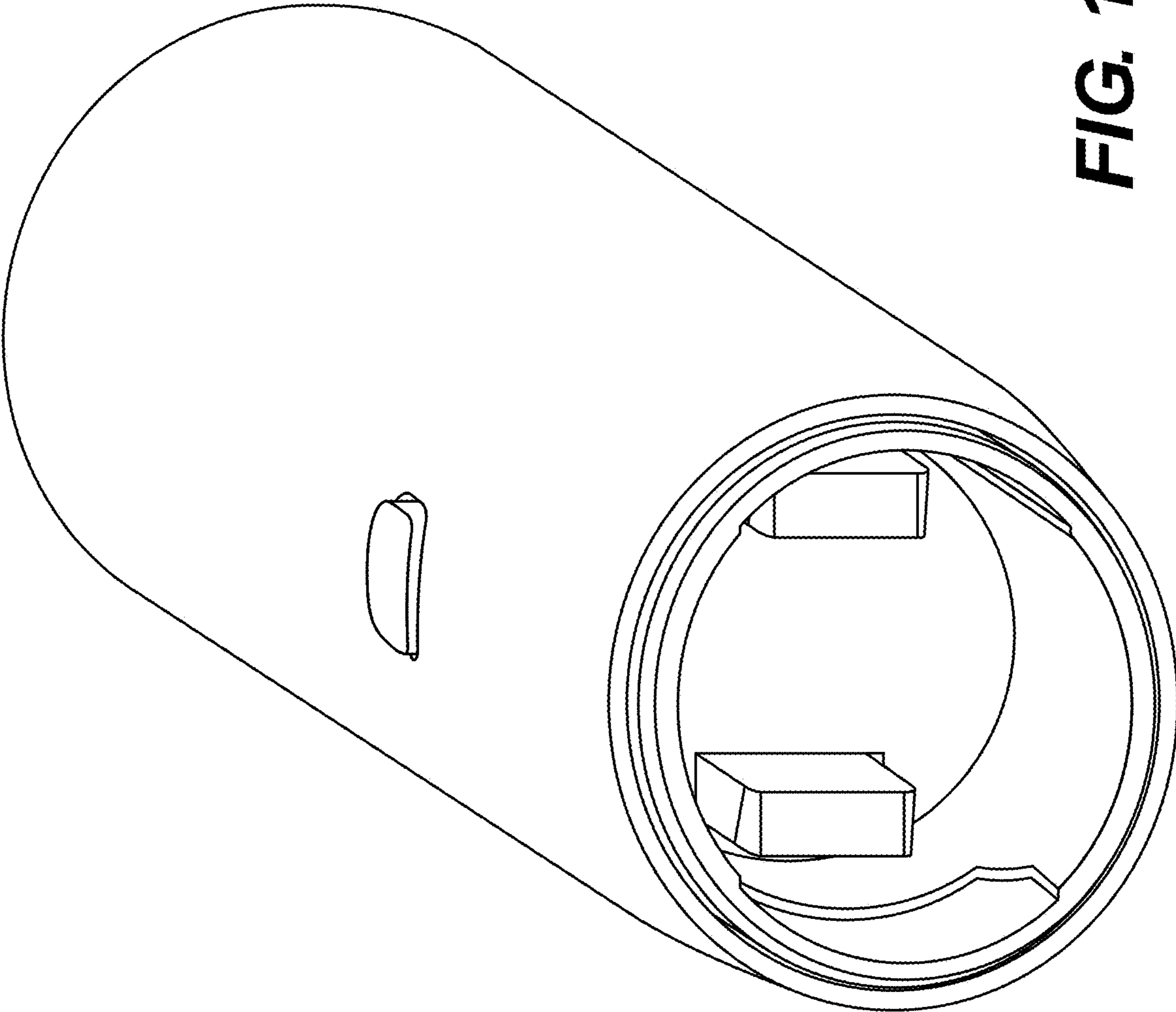
U.S. PATENT DOCUMENTS

D693,053	S	11/2013	Chen	
D695,450	S	12/2013	Benassayag et al.	
D720,094	S	12/2014	Alima	
D720,095	S	12/2014	Alima	
D720,496	S	12/2014	Alima	
D720,881	S	1/2015	Liu	
D720,882	S	1/2015	Albanese	
D723,216	S	2/2015	Chen	
D761,998	S	7/2016	Pinder	
D779,722	S	2/2017	Volodarsky	
D782,728	S	3/2017	Pinder	
D790,122	S	6/2017	Hawes et al.	
D800,383	S	10/2017	Verleur et al.	
D802,839	S	11/2017	Scott	
D805,246	S	12/2017	Fakhouri	
D805,684	S	12/2017	Thuery	
D809,190	S	1/2018	Schuler et al.	
D813,445	S	3/2018	Scott	
D813,447	S	3/2018	Watson	
D814,694	S	4/2018	Watson	
D818,636	S	5/2018	Qiu	
D818,638	S	5/2018	Wright et al.	
D822,271	S	7/2018	Eksouzian	
D825,099	S	8/2018	Wright et al.	
D825,103	S	8/2018	Wright et al.	
D825,844	S	8/2018	Verleur et al.	
D829,369	S *	9/2018	Stone .....	D27/101
D829,370	S *	9/2018	Stone .....	D27/101
D829,974	S *	10/2018	Stone .....	D27/101
D829,976	S *	10/2018	Stone .....	D27/101
D847,419	S	4/2019	Hawes et al.	
D855,881	S	8/2019	Hawes et al.	
D862,793	S *	10/2019	Chang .....	D27/162
D866,064	S	11/2019	Powell et al.	
D868,360	S *	11/2019	Stone .....	D27/101
D868,363	S *	11/2019	Stone .....	D27/101
D868,364	S	11/2019	Stone	
D869,747	S *	12/2019	Stone .....	D27/101
D871,662	S	12/2019	Volodarsky et al.	
D871,665	S	12/2019	Choe	
D876,719	S	2/2020	Vermette et al.	
D877,409	S *	3/2020	Jiang .....	D27/162
D878,671	S *	3/2020	Stone .....	D27/101
D882,165	S *	4/2020	Ouyang .....	D27/162
D883,566	S	5/2020	Filleul et al.	
D889,034	S	6/2020	Stewart et al.	
D894,478	S	8/2020	Fornarelli	
D913,580	S	3/2021	Barenboym	
D920,570	S	5/2021	Laidlaw et al.	
D921,969	S	6/2021	Simrell	

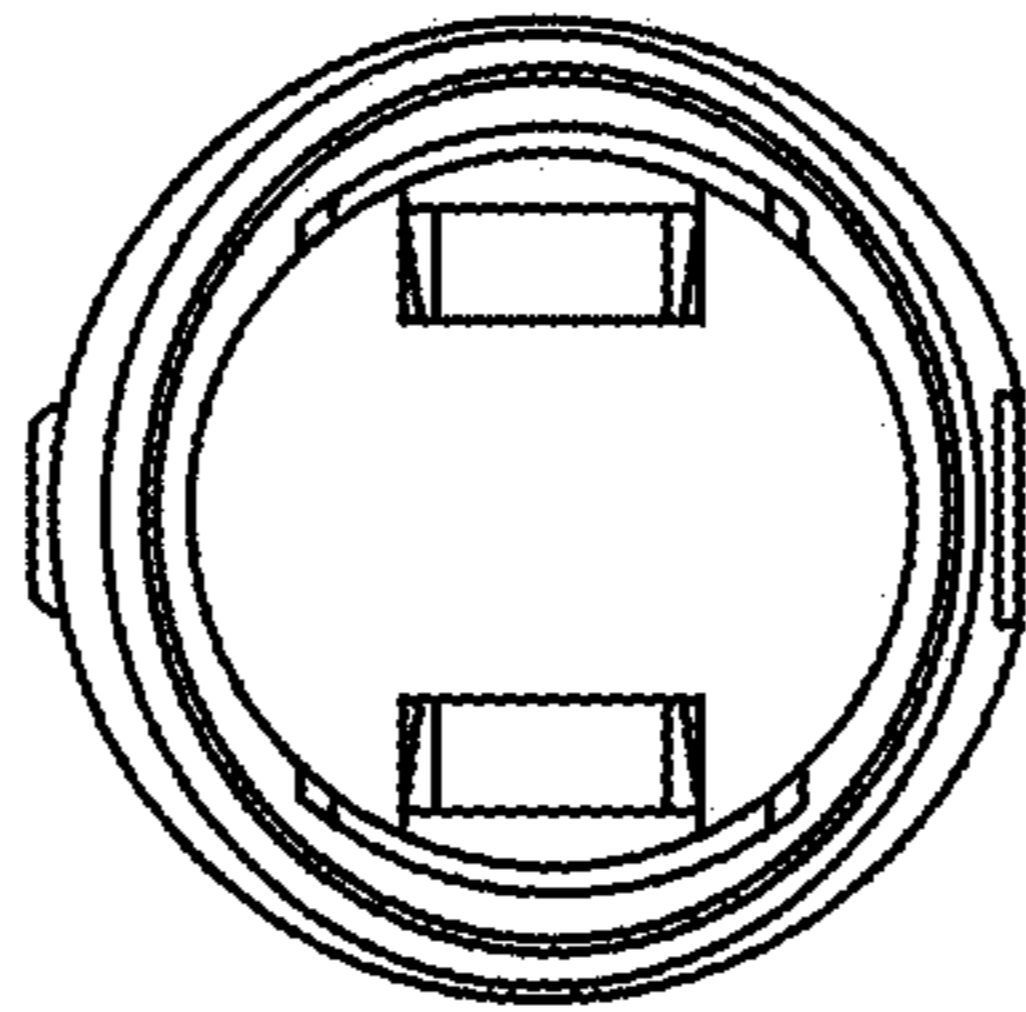
OTHER PUBLICATIONS

Office Action for corresponding U.S. Appl. No. 29/657,303 dated Oct. 4, 2019.  
 U.S. Office Action dated Apr. 1, 2021, issued in corresponding U.S. Appl. No. 29/657,300.  
 U.S. Office Action dated Jul. 9, 2021, issued in co-pending U.S. Appl. No. 29/657,300.  
 U.S. Notice of Allowance dated Jul. 21, 2021, issued in co-pending U.S. Appl. No. 29/730,913.

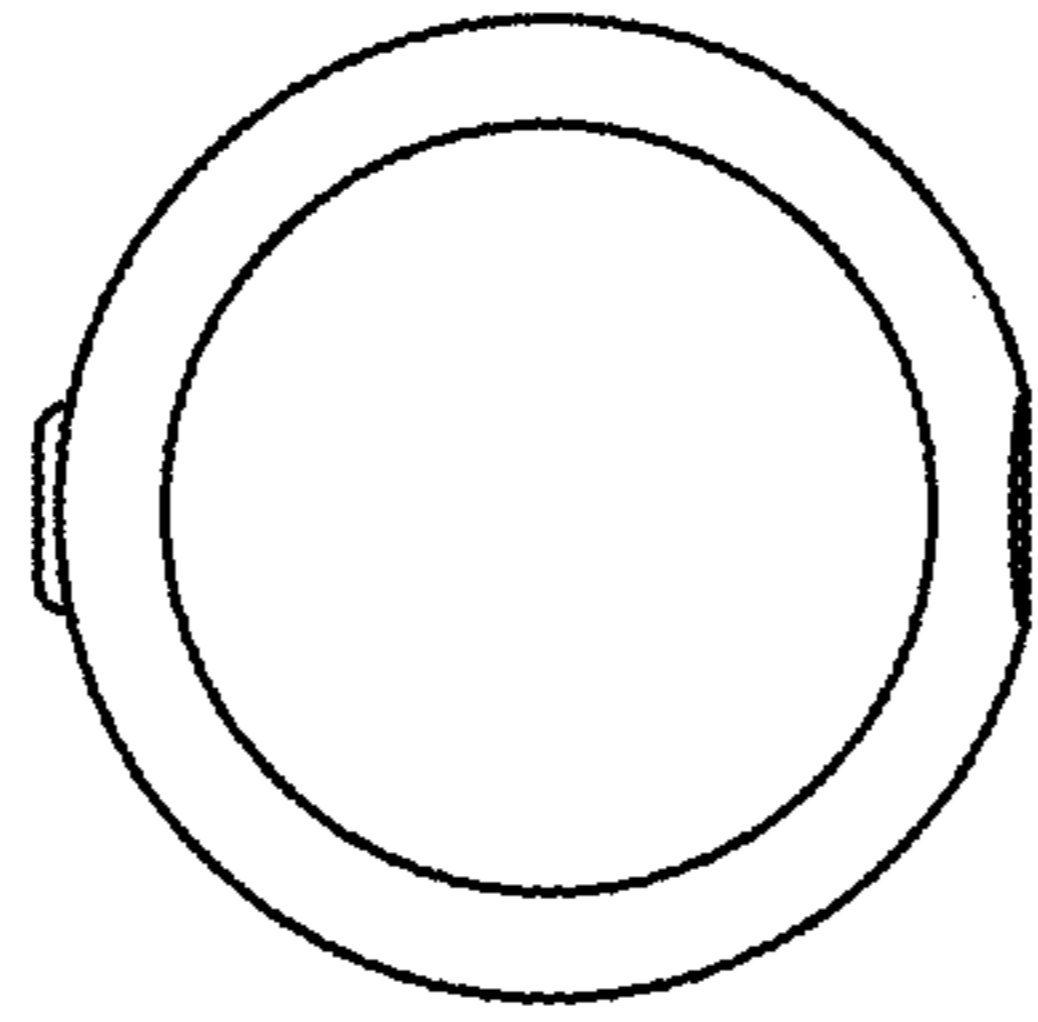
\* cited by examiner



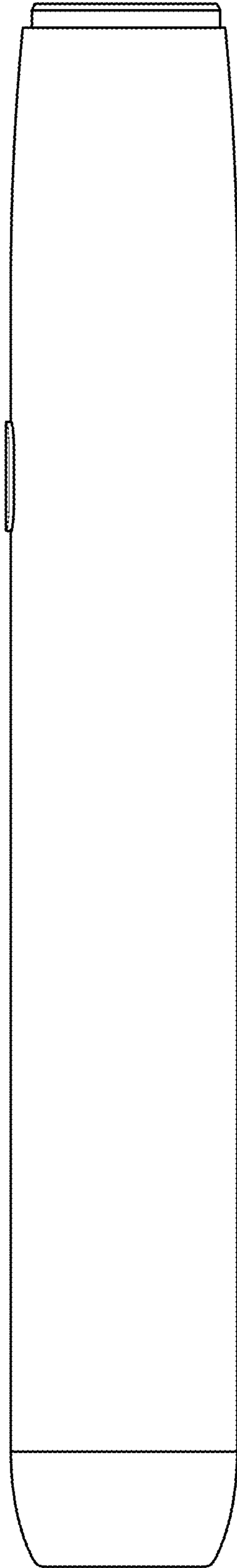
**FIG. 1**



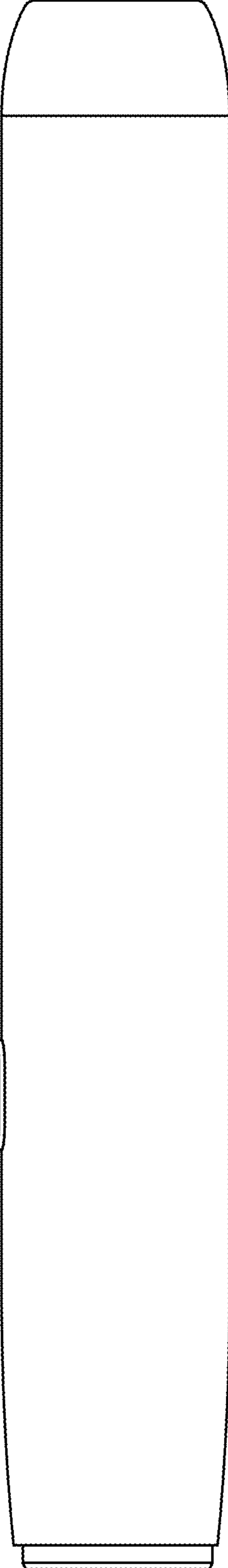
**FIG. 2**



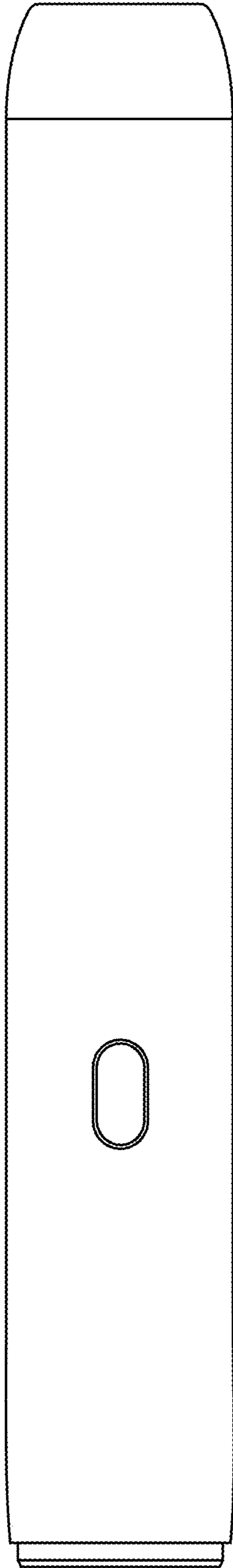
**FIG. 3**



**FIG. 4**

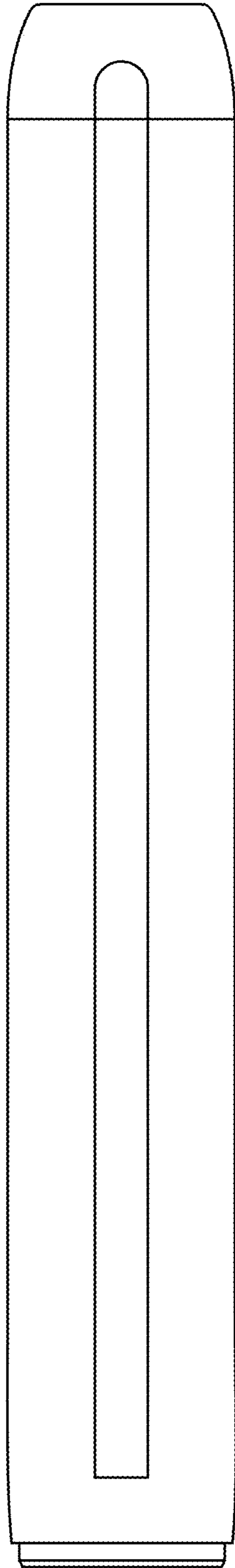


**FIG. 5**

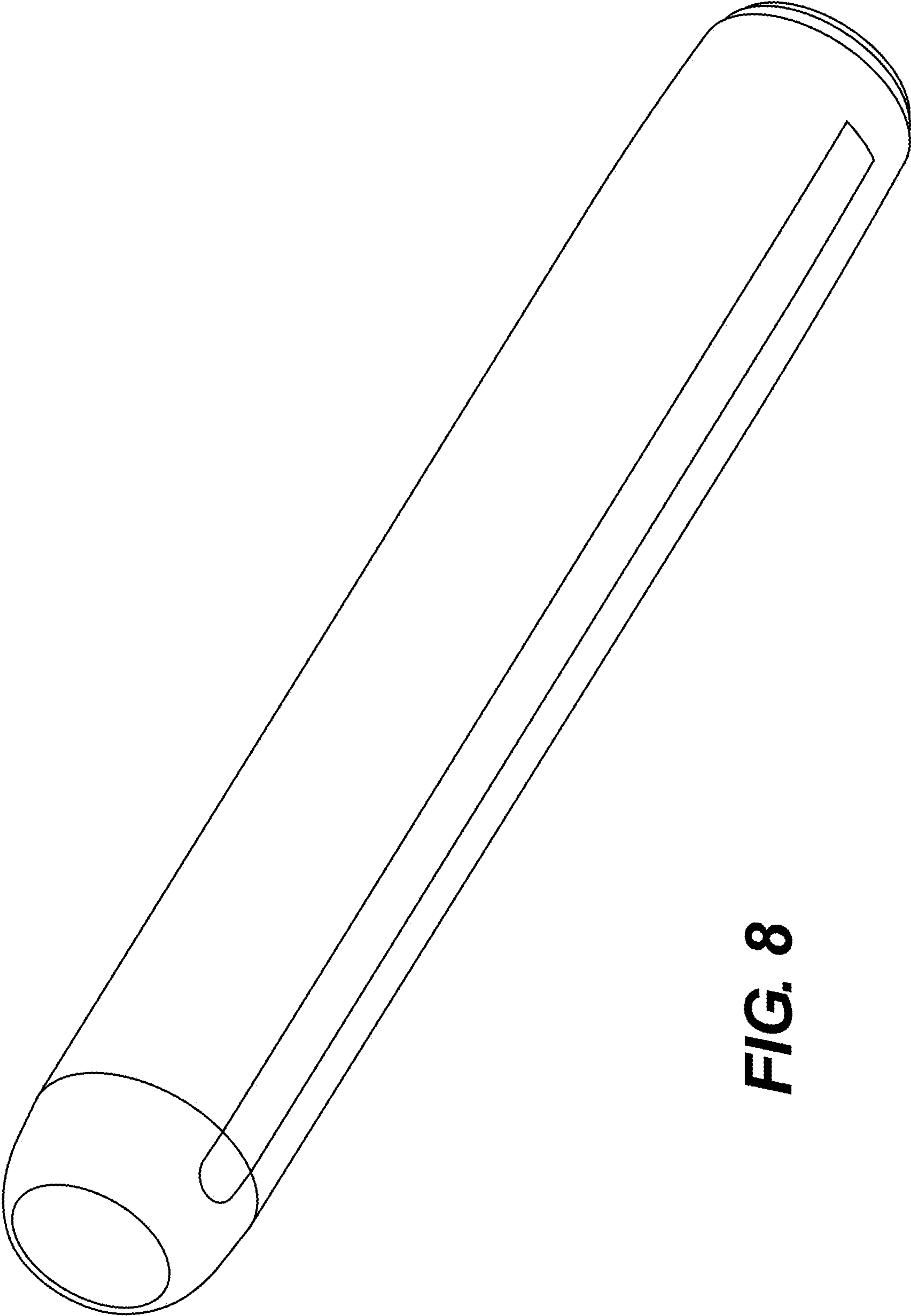


**FIG. 6**





**FIG. 7**



**FIG. 8**

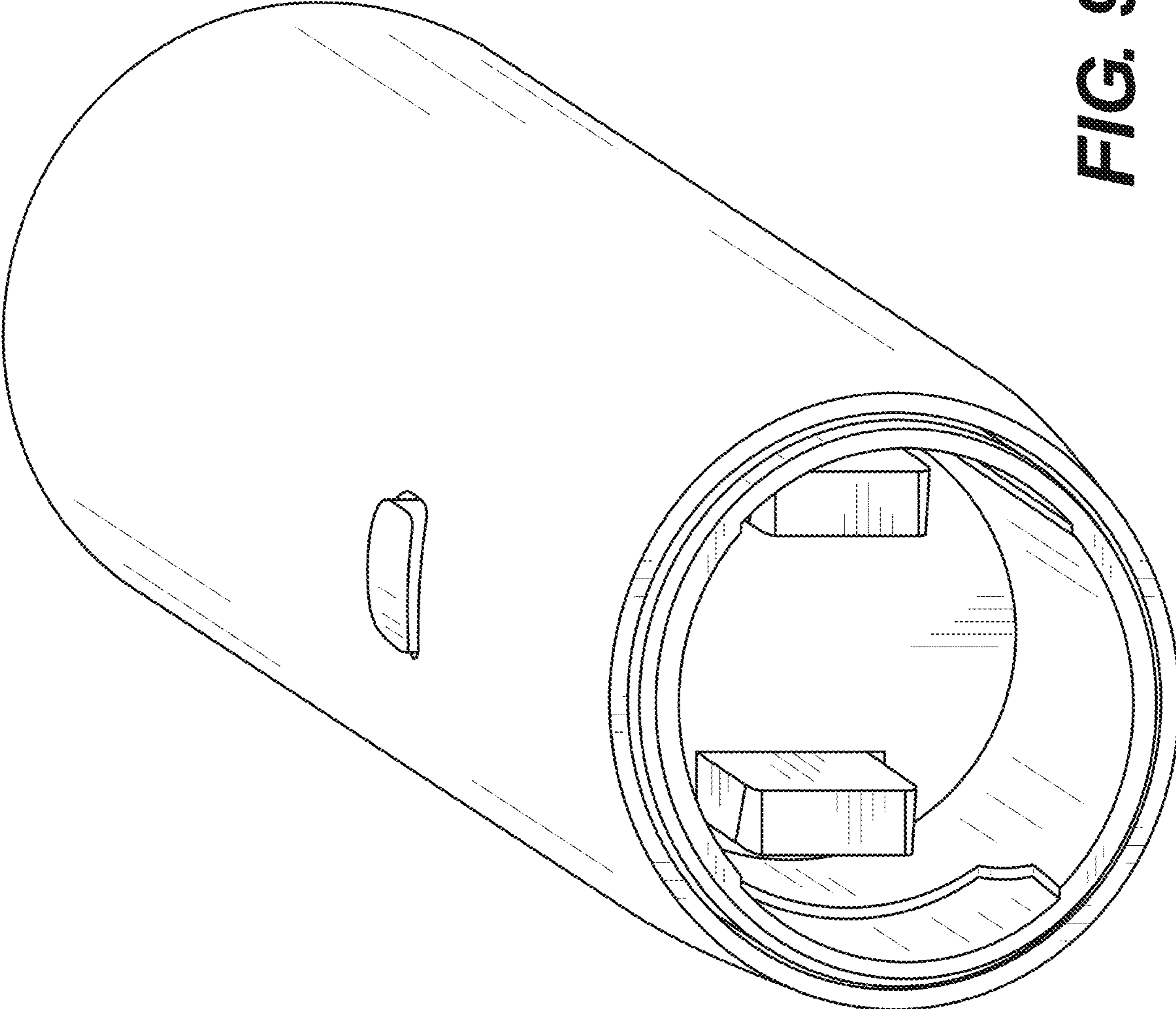
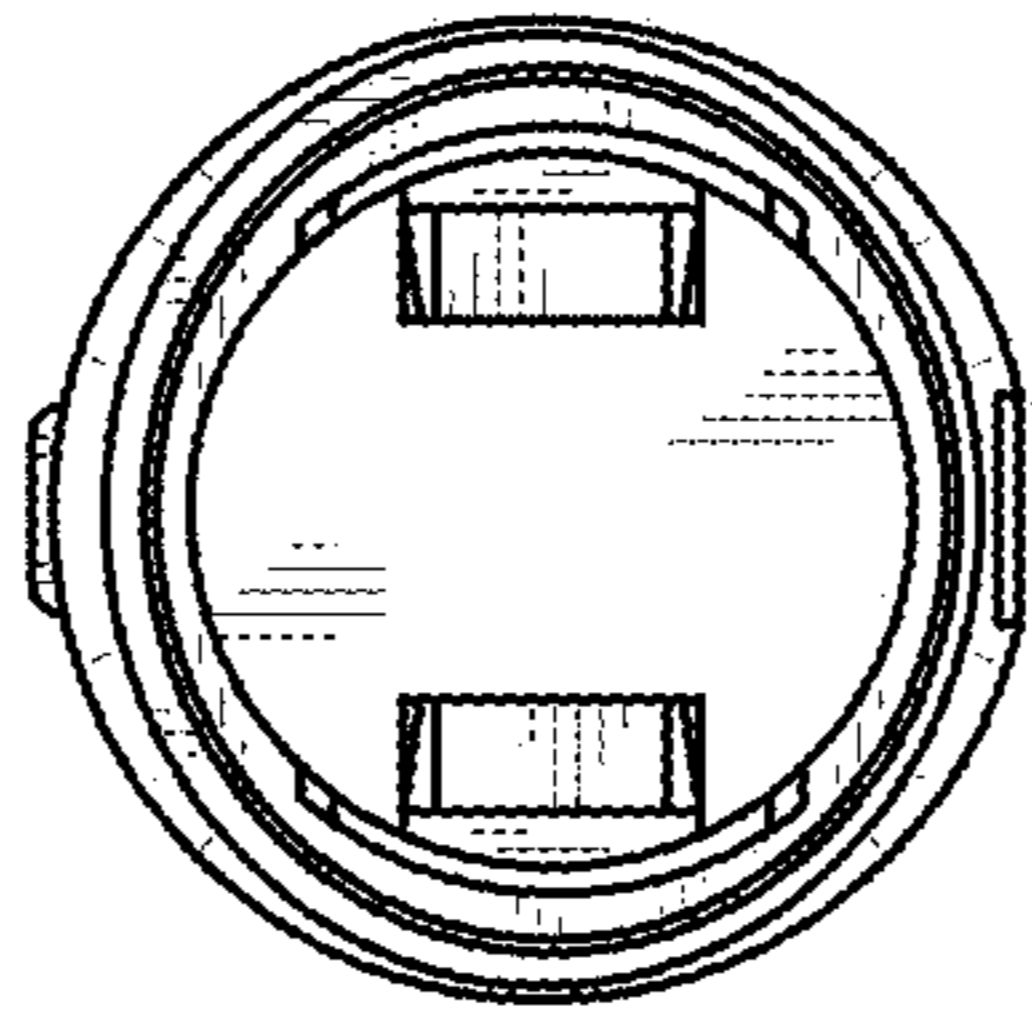
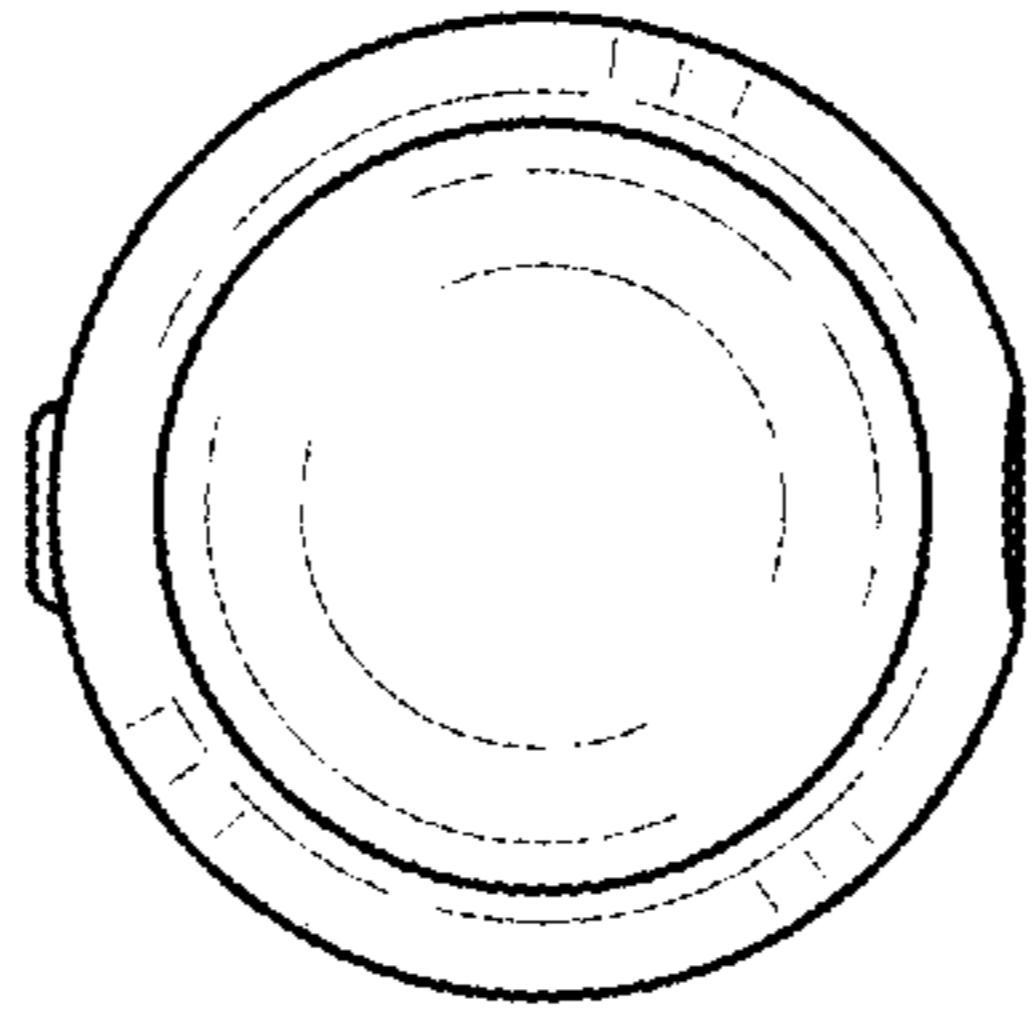


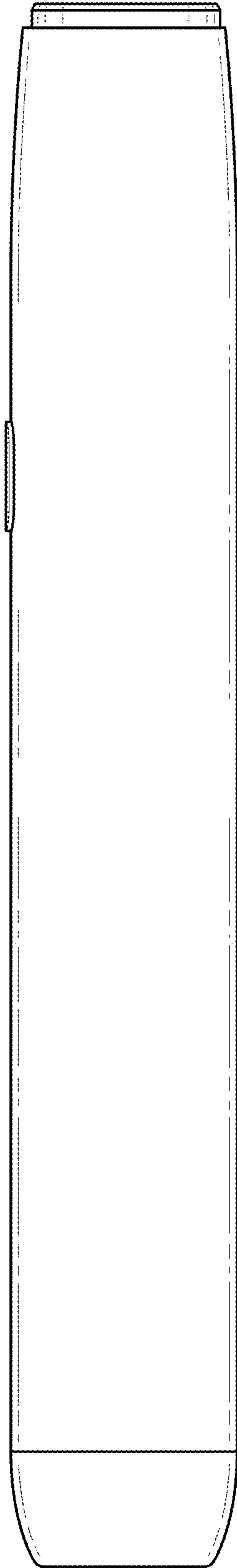
FIG. 9



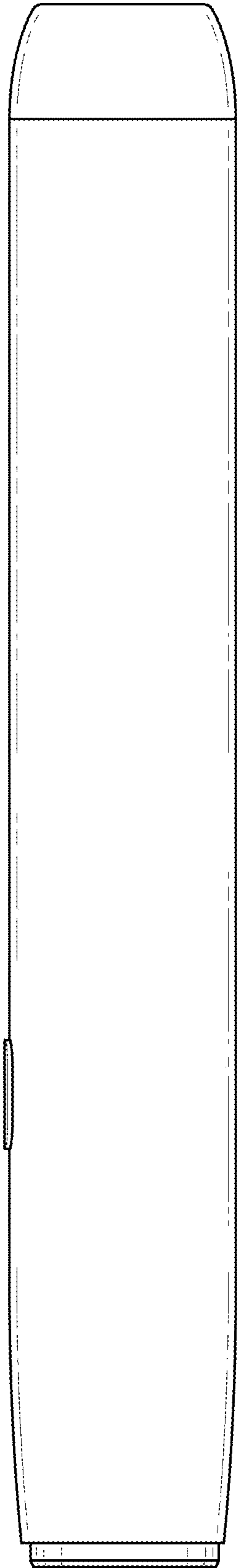
**FIG. 10**



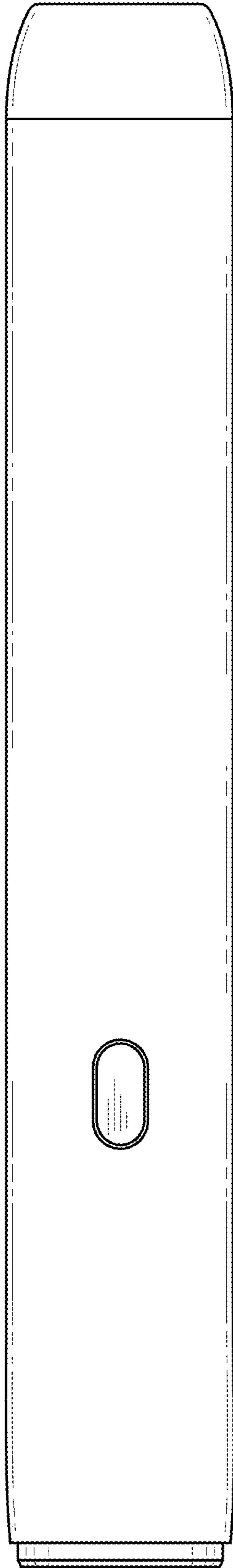
**FIG. 11**



**FIG. 12**

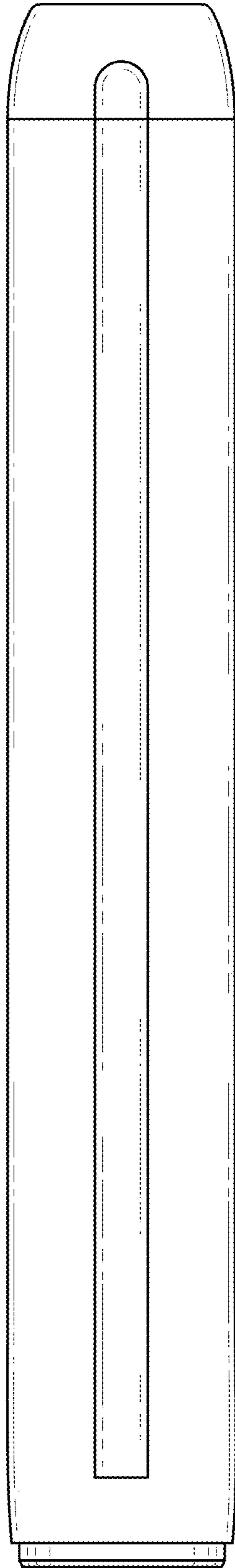


**FIG. 13**

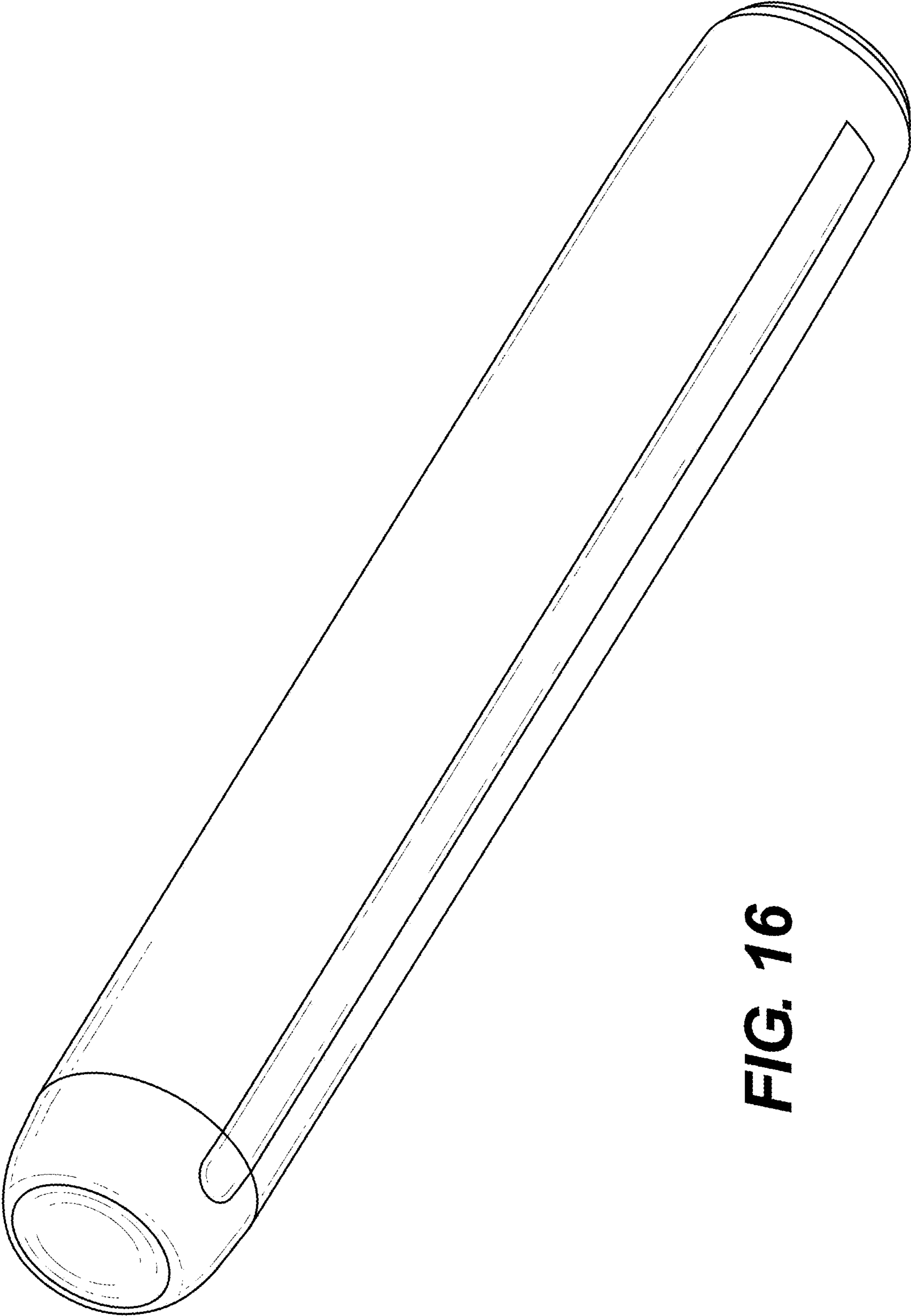


**FIG. 14**

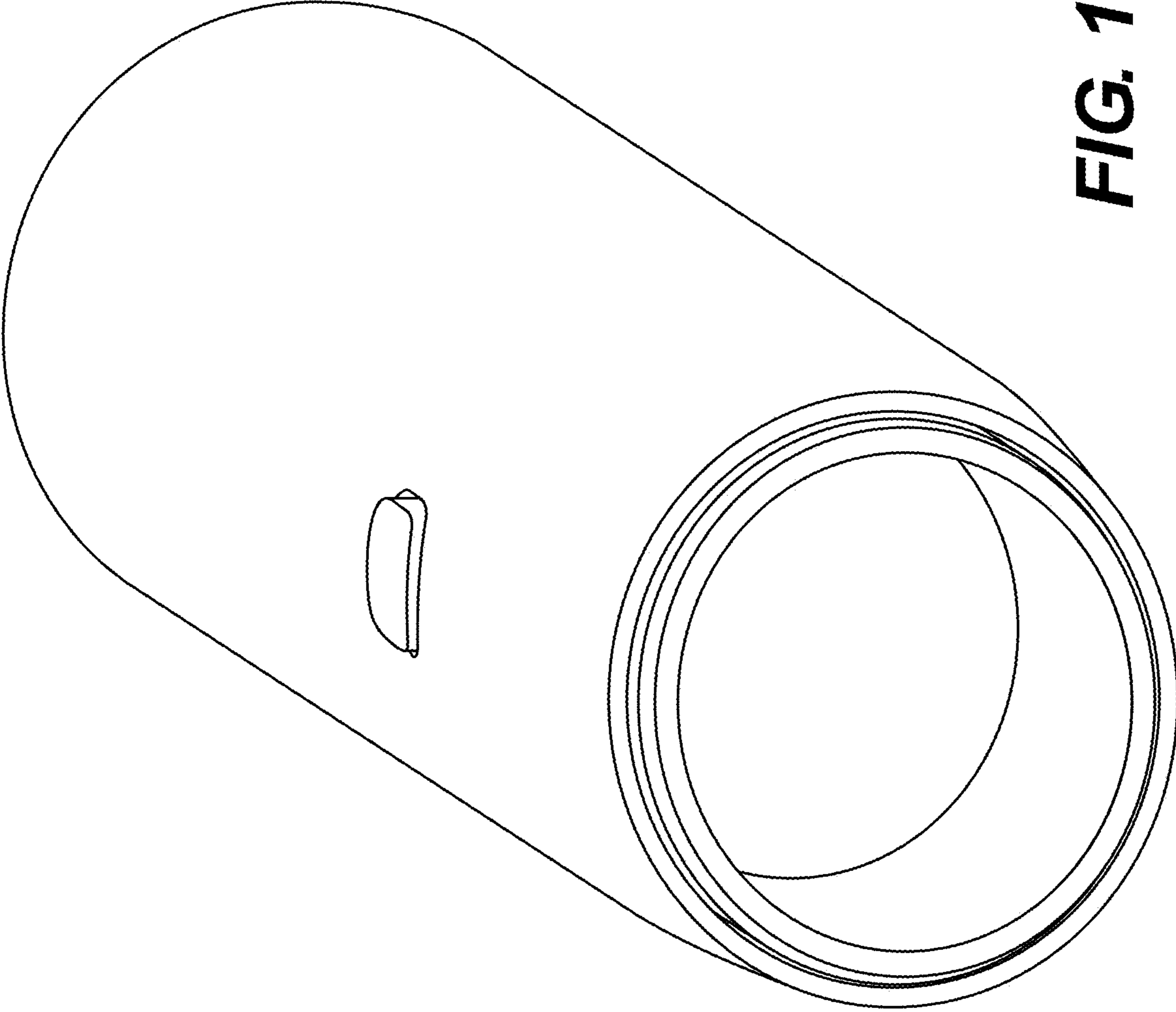




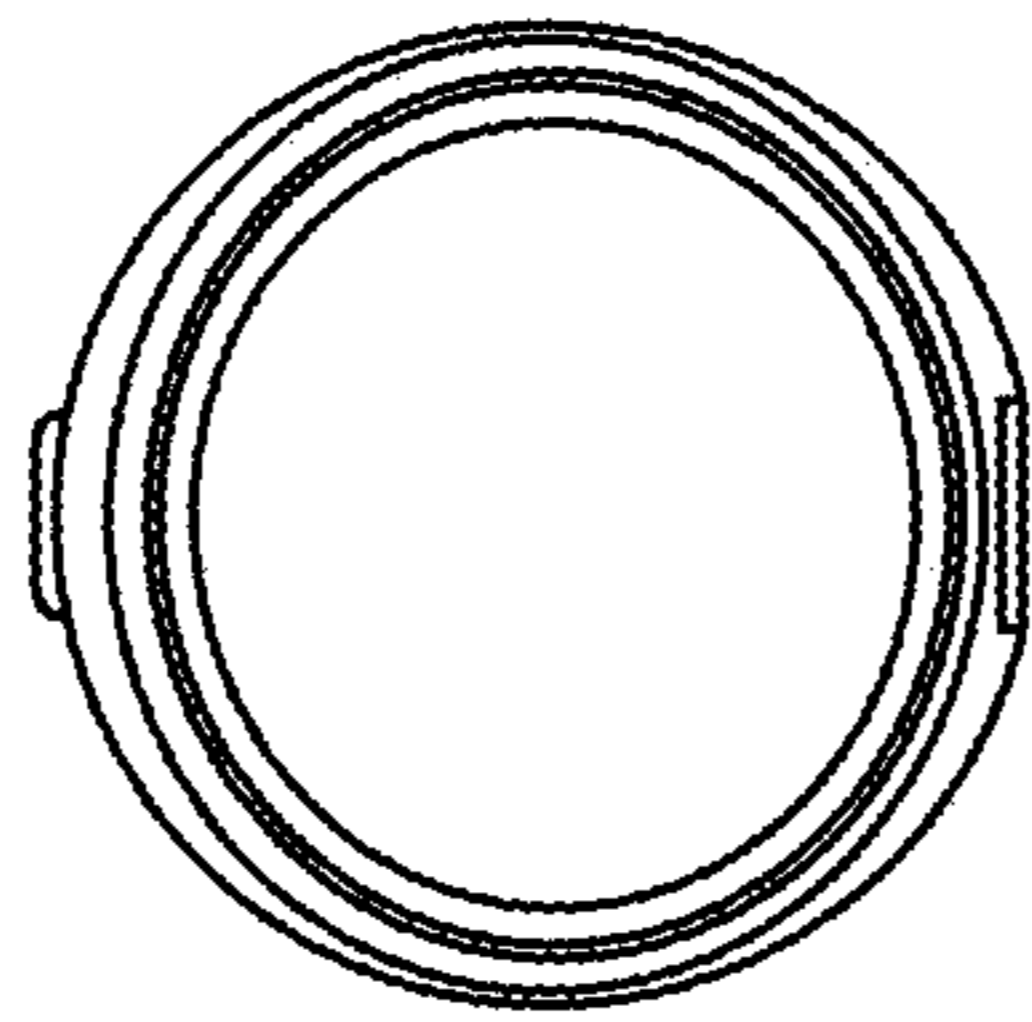
**FIG. 15**



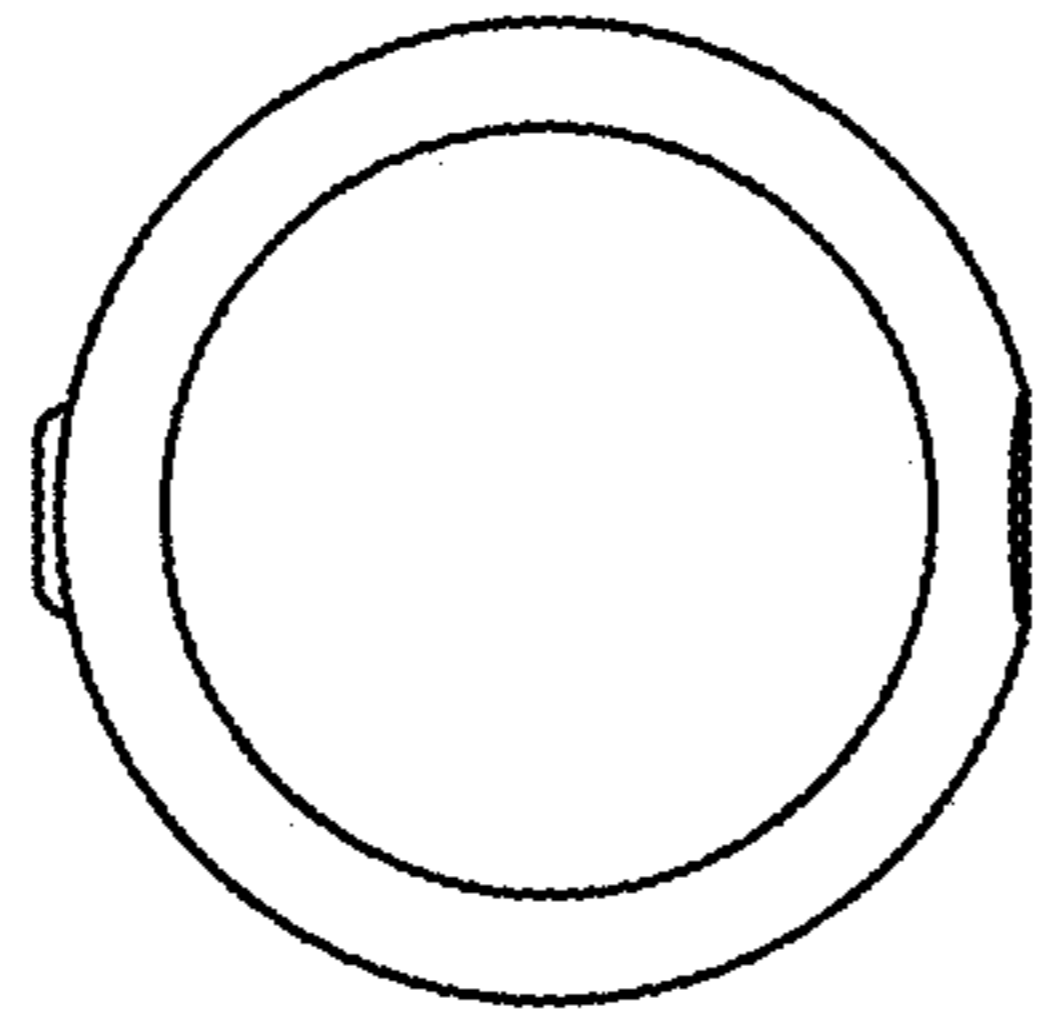
**FIG. 16**



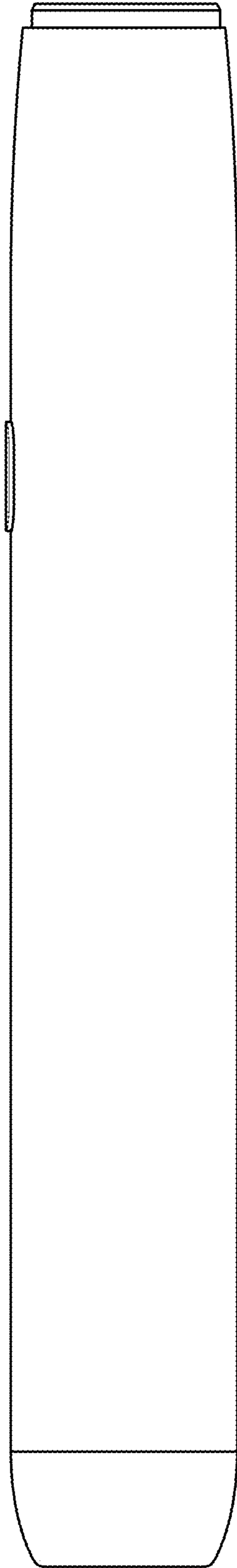
**FIG. 17**



**FIG. 18**



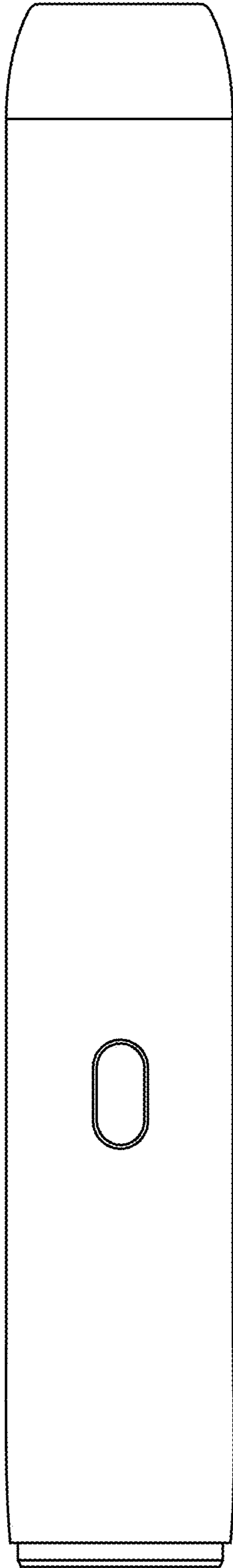
**FIG. 19**



**FIG. 20**

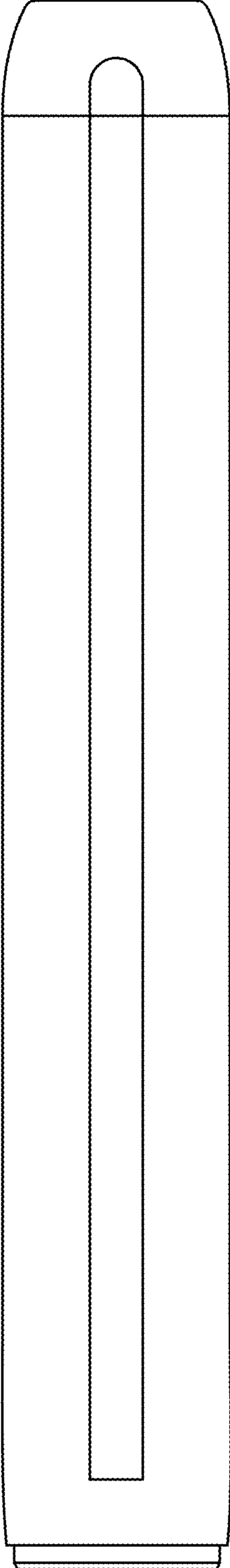


**FIG. 21**

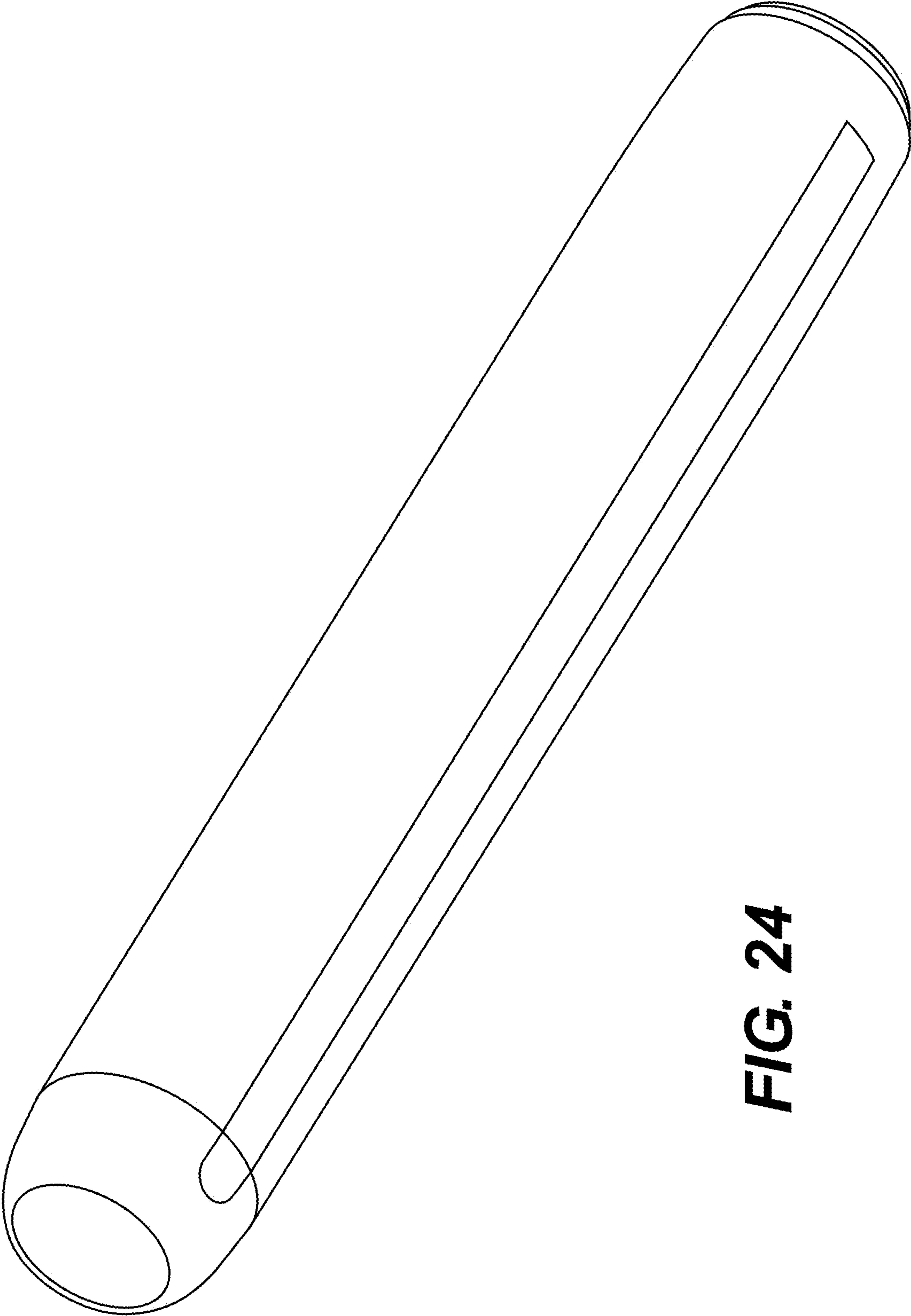


**FIG. 22**

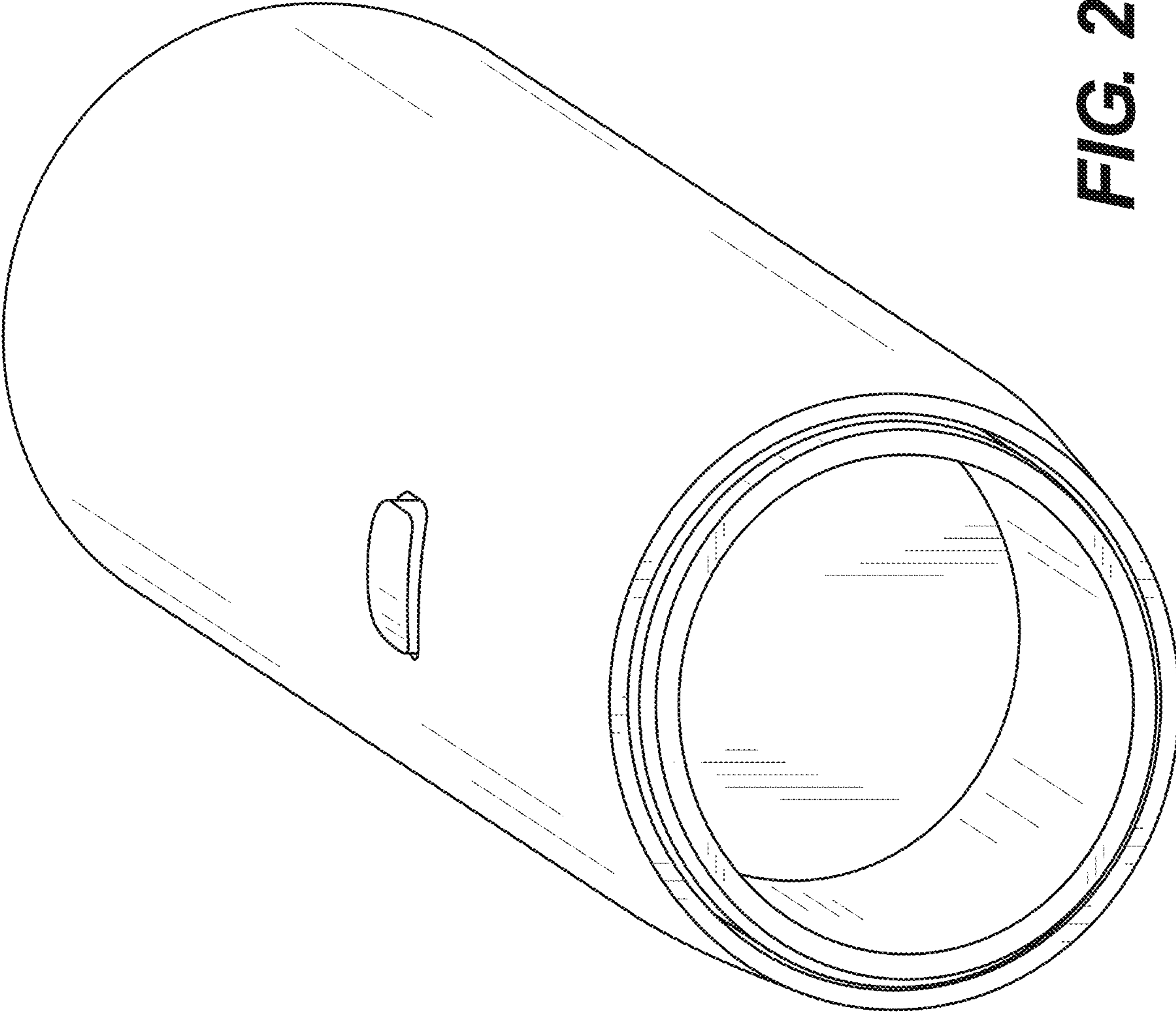




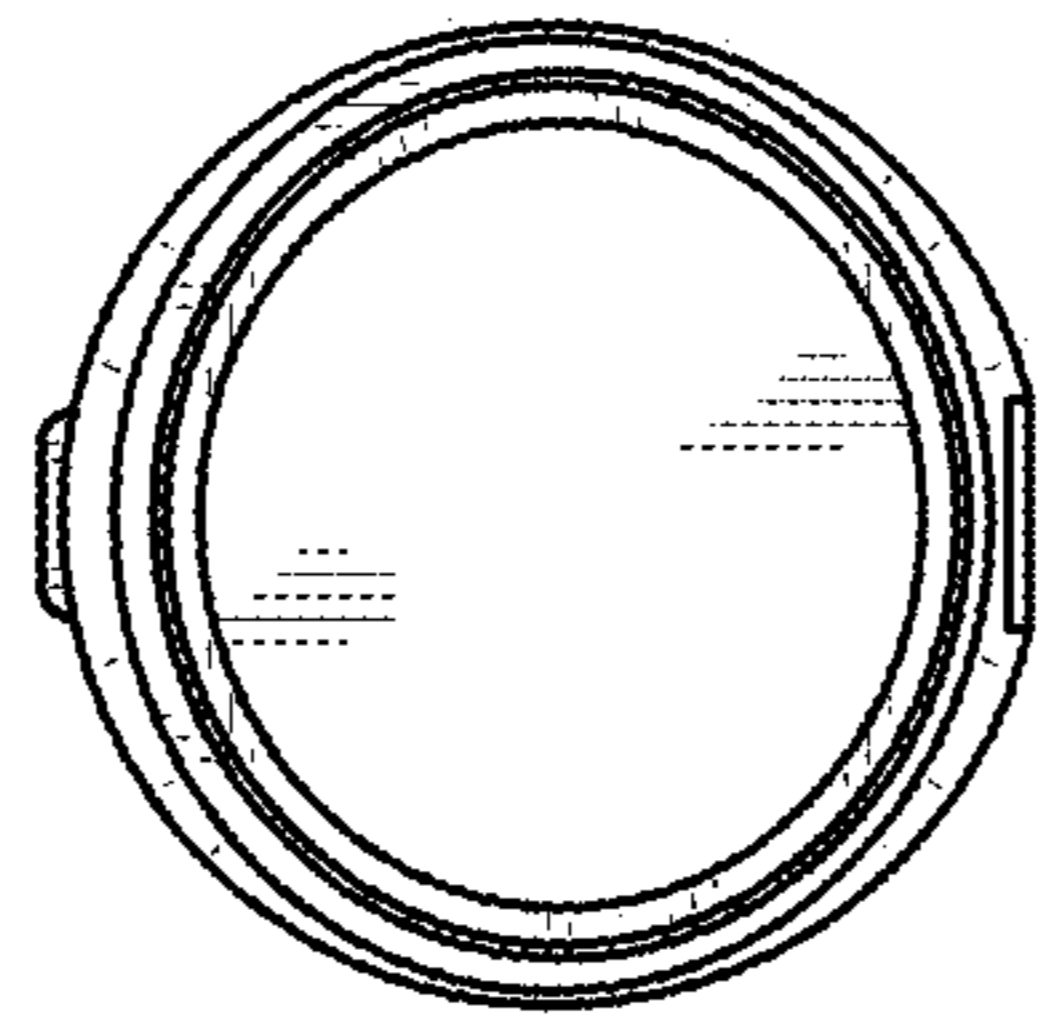
**FIG. 23**



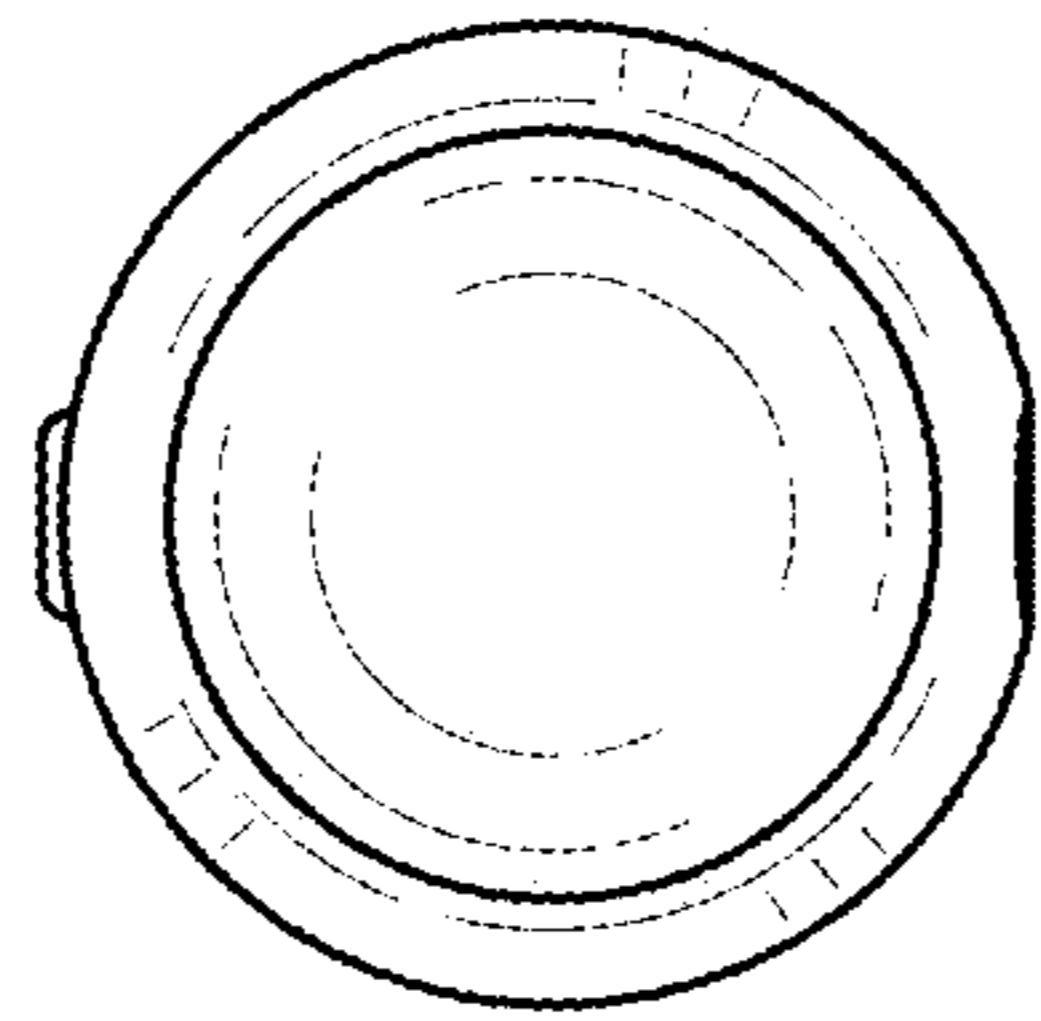
**FIG. 24**



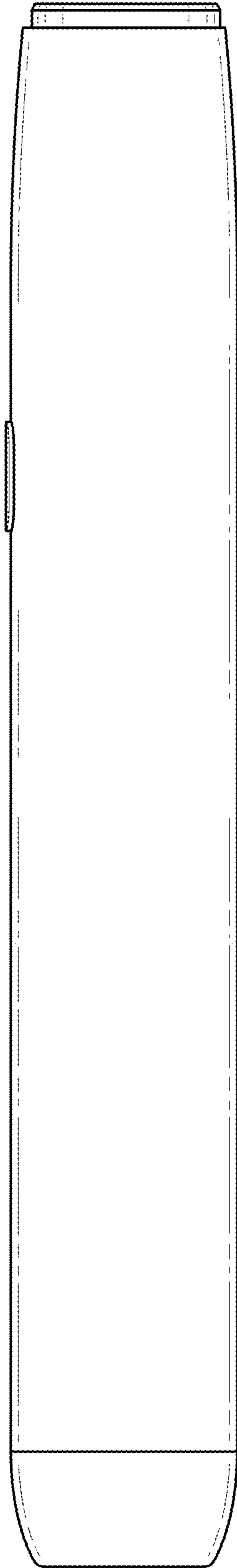
**FIG. 25**



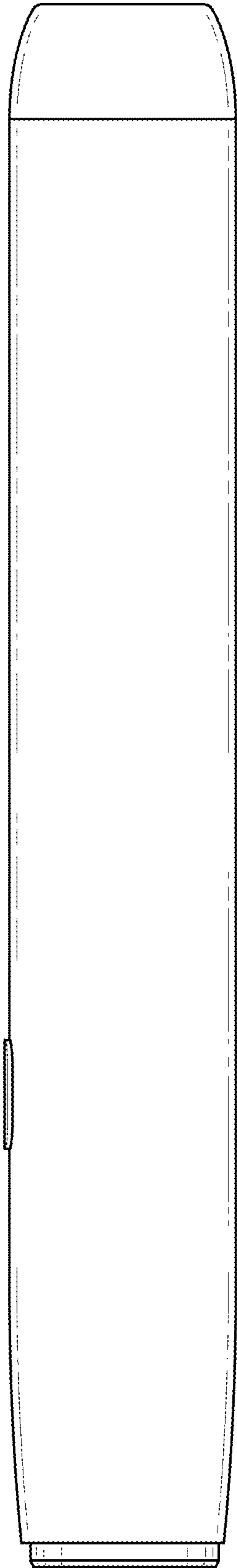
**FIG. 26**



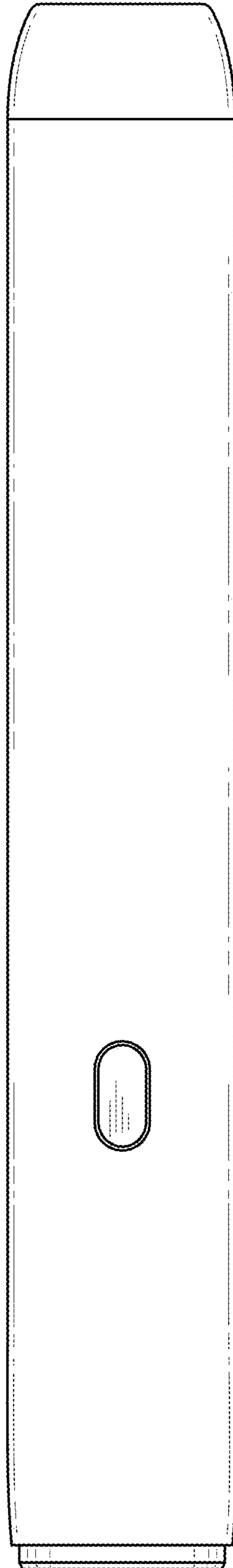
**FIG. 27**



**FIG. 28**

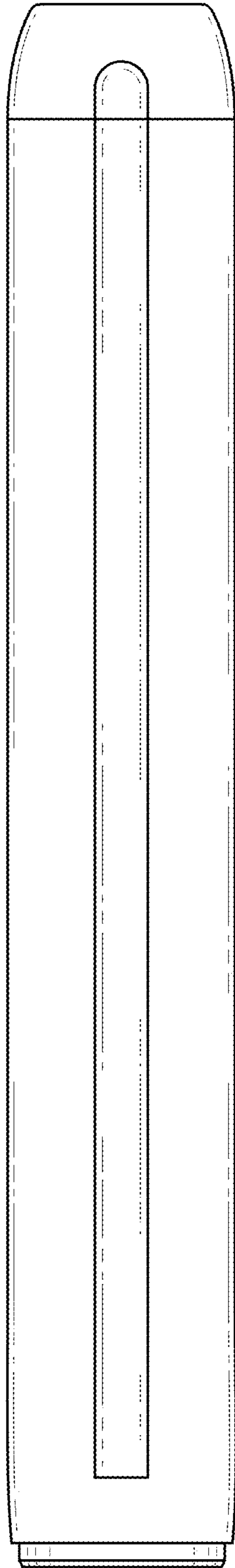


**FIG. 29**

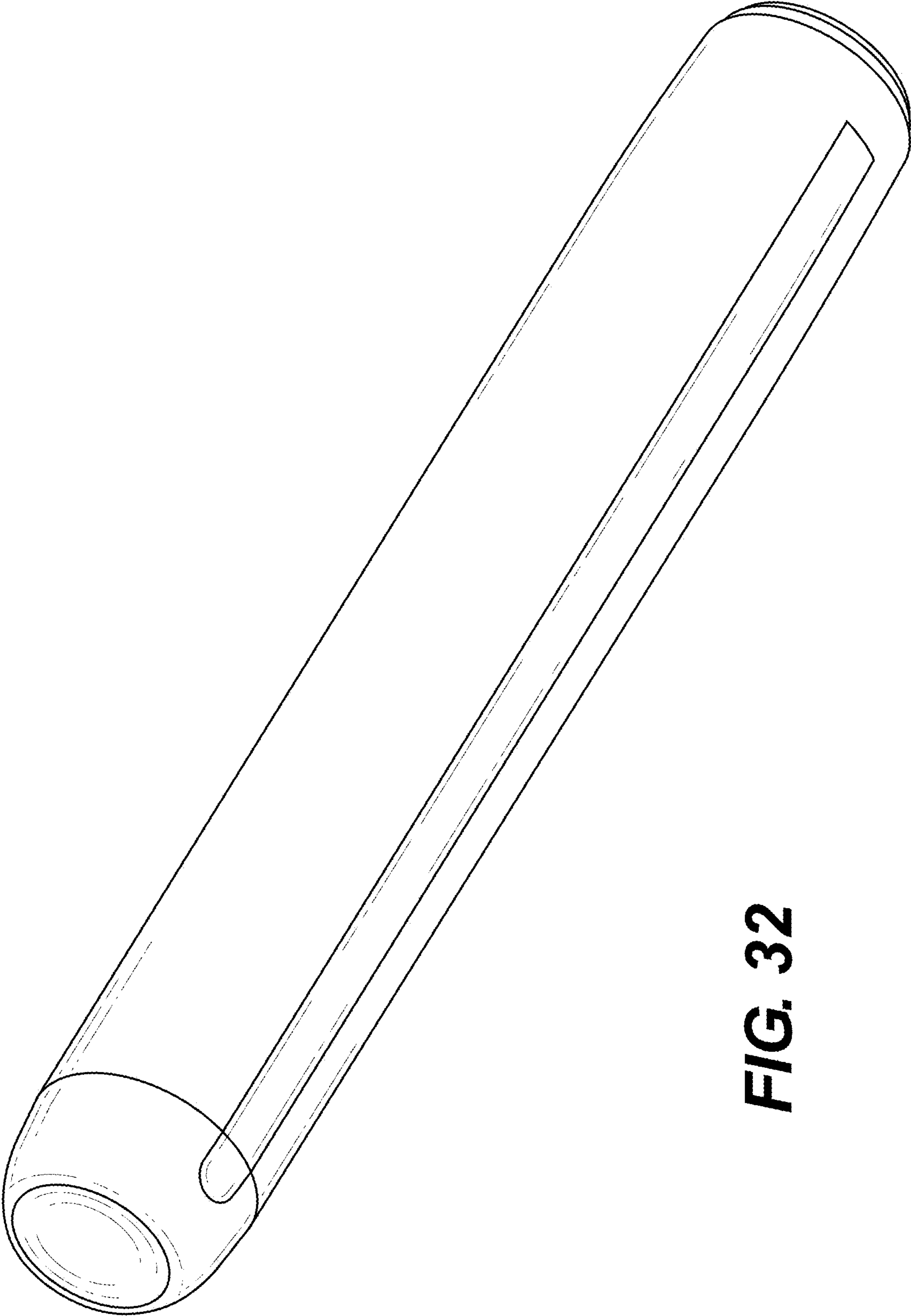


**FIG. 30**





**FIG. 31**



**FIG. 32**