



US00D943805S

(12) **United States Design Patent** (10) **Patent No.:** **US D943,805 S**
Pan (45) **Date of Patent:** **** Feb. 15, 2022**

(54) **LIGHTER**

(71) Applicant: **L.A. Lighter, Inc.**, City of Industry, CA (US)

(72) Inventor: **Phillip Pan**, City of Industry, CA (US)

(**) Term: **15 Years**

(21) Appl. No.: **29/747,790**

(22) Filed: **Aug. 25, 2020**

(51) **LOC (13) Cl.** **27-05**

(52) **U.S. Cl.**
USPC **D27/154**

(58) **Field of Classification Search**
USPC D27/139, 141, 142, 148, 159, 153, 158,
D27/161; D23/211.1; D7/416; D9/446,
D9/454, 435, 439
CPC F23Q 2/00; F23Q 2/02; F23Q 2/16; F23Q
2/161; F23Q 2/162; F23Q 2/164; F23Q
2/167; F23Q 7/00; F23Q 7/14; F23Q
7/16; F23Q 7/24; F23Q 7/10

See application file for complete search history.

(56) **References Cited**

U.S. PATENT DOCUMENTS

D465,978 S *	11/2002	Miyanaga	D8/30
D477,747 S *	7/2003	Hsu	D7/416
D587,975 S *	3/2009	Aronson, II	D15/144
D667,993 S *	9/2012	Lin	D27/139
D820,331 S *	6/2018	Walters	D15/144
D844,405 S *	4/2019	Shen	D8/29.1
D862,792 S *	10/2019	Chen	D27/159
D867,655 S *	11/2019	Chen	D27/157
D869,749 S *	12/2019	Pan	D27/159
D872,356 S *	1/2020	Pan	D27/159
D875,300 S *	2/2020	Chen	D27/159
D882,654 S *	4/2020	Tsai	D15/144
D884,264 S *	5/2020	Pan	D27/159
D905,522 S *	12/2020	Tsai	D8/30

D912,886 S *	3/2021	Pan	D27/139
2010/0261129 A1 *	10/2010	Lin	F23D 14/38 431/344
2019/0093889 A1 *	3/2019	Ho	F23D 14/38
2019/0093890 A1 *	3/2019	Shen	F23D 14/38

OTHER PUBLICATIONS

Touch Lighter By: Eagle found on Amazon Jul. 29, 2021 https://www.amazon.com/Eagle-Degree-Lighter-Windproof-Refillable/dp/B087ZSYX7K/ref= Aug. 24, 2020.*

* cited by examiner

Primary Examiner — Rebecca Tsehaye
(74) *Attorney, Agent, or Firm* — Tommy S F Wang;
Wang IP Law Group, P.C.

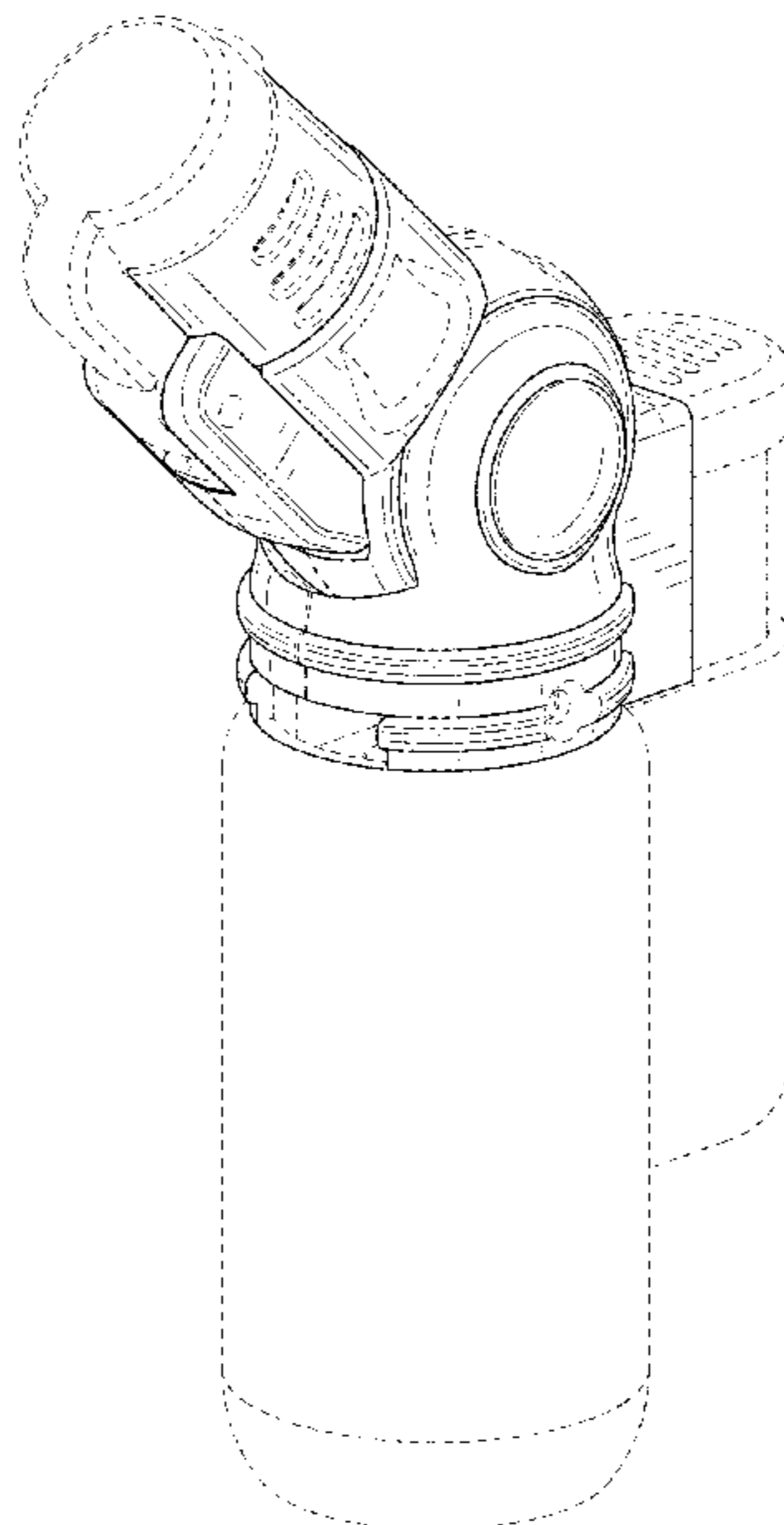
(57) **CLAIM**

The ornamental design for a lighter, as shown and described.

DESCRIPTION

FIG. 1 is a front perspective view of a lighter showing my new design;
FIG. 2 is a rear perspective view thereof;
FIG. 3 is a front view thereof;
FIG. 4 is a rear view thereof;
FIG. 5 is a left side view thereof;
FIG. 6 is a right side view thereof;
FIG. 7 is a top view thereof;
FIG. 8 is a bottom view thereof; and
FIG. 9 is another front perspective view thereof;
FIG. 10 is the other front perspective view thereof; and,
FIG. 11 is another rear perspective view thereof.
The broken line portions of the lighter in FIGS. 1-11 represent unclaimed portions of the claimed design and form no part thereof.

1 Claim, 11 Drawing Sheets



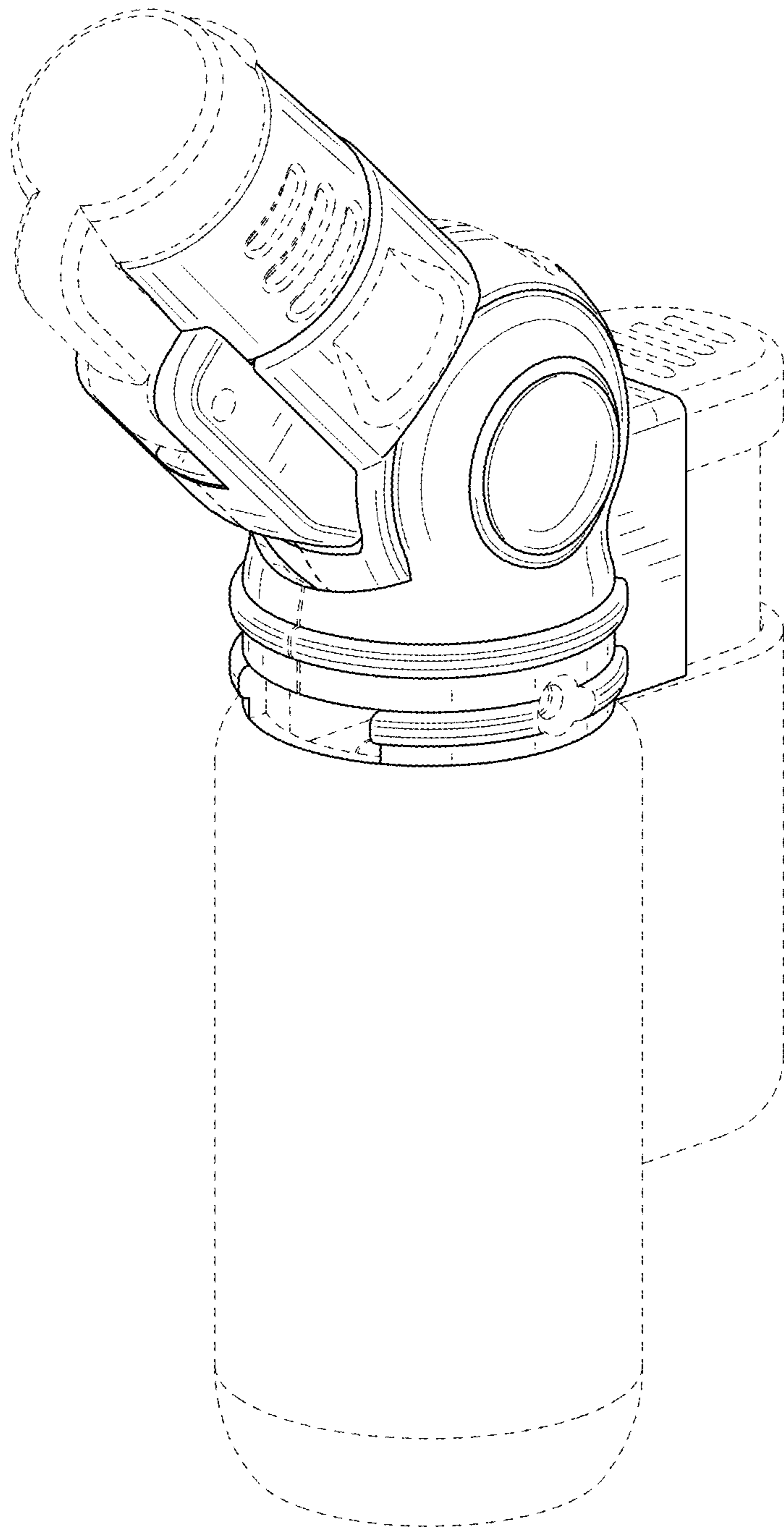


FIG. 1

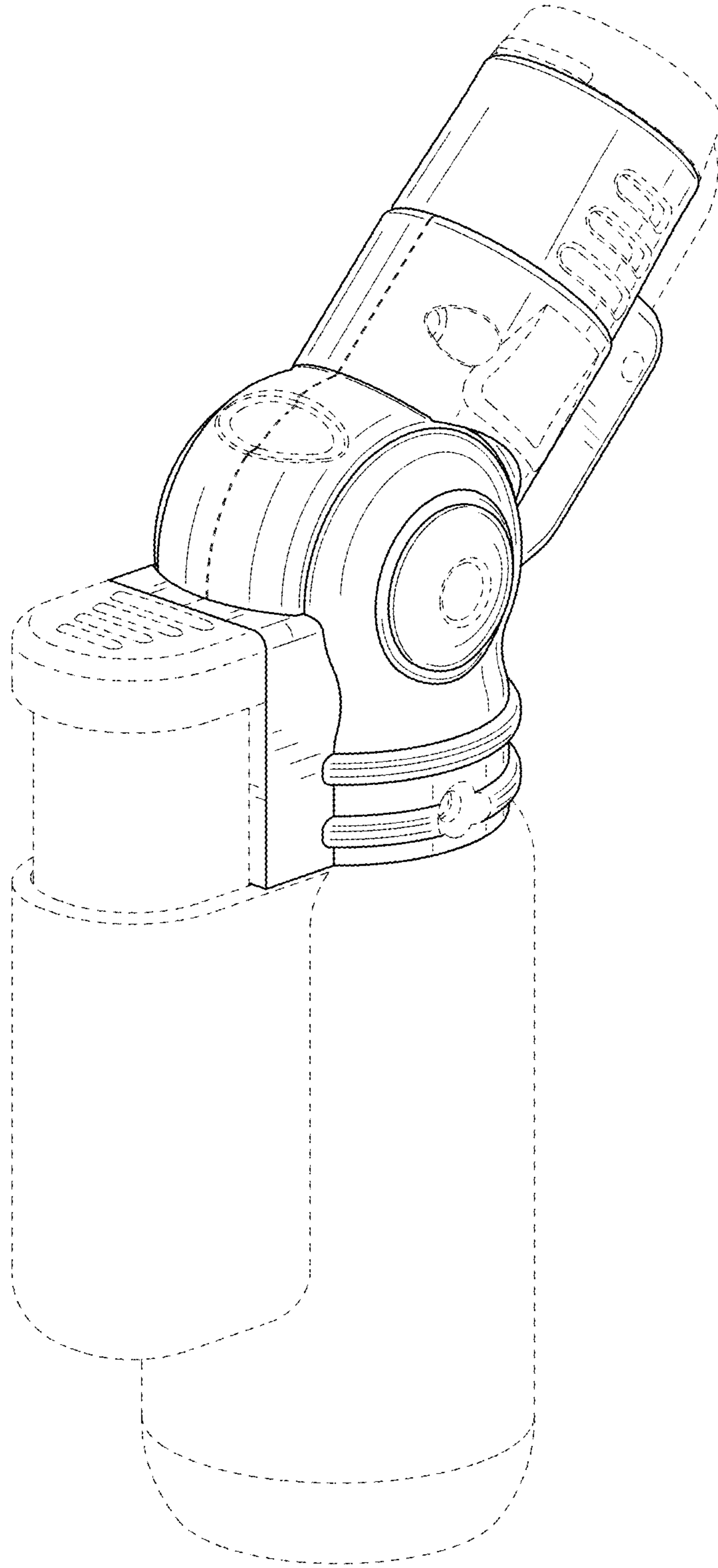


FIG. 2

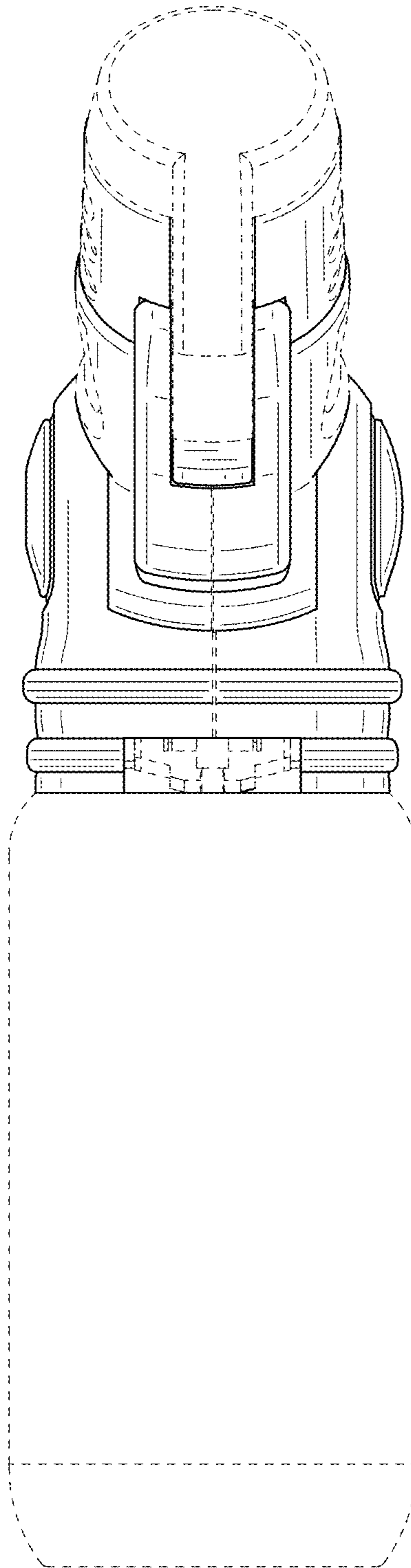


FIG. 3

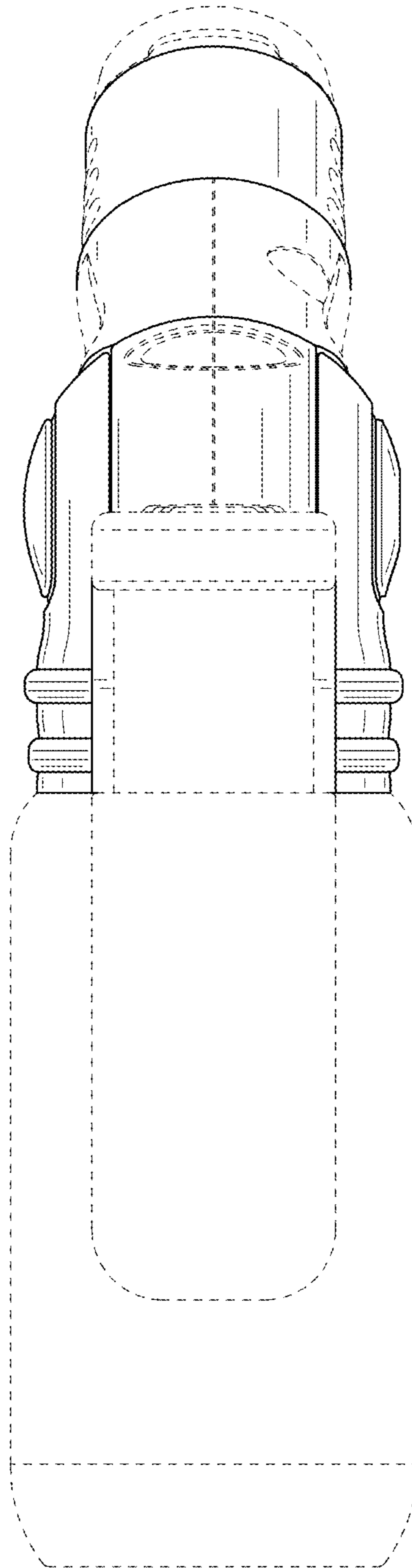


FIG. 4

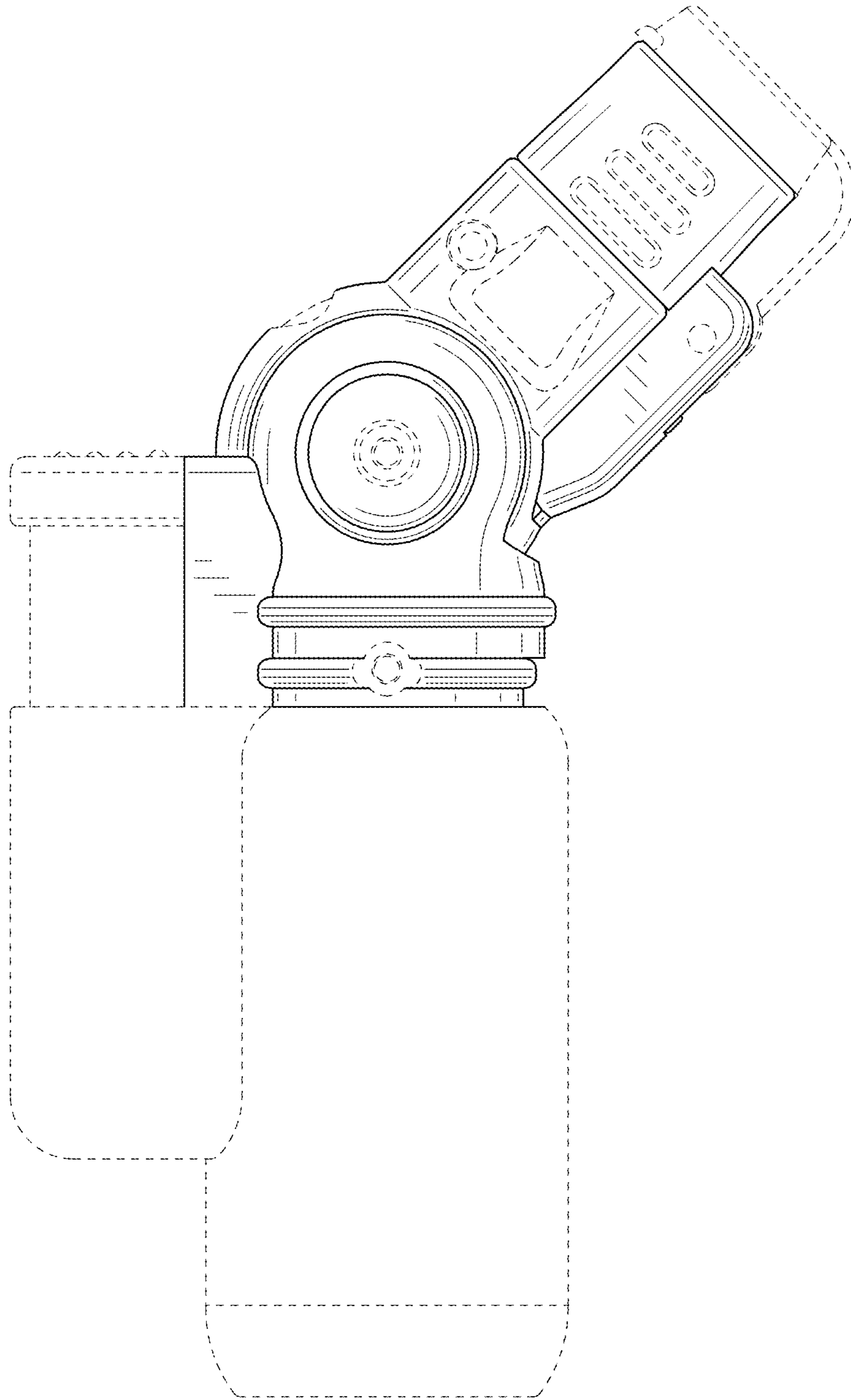


FIG. 5

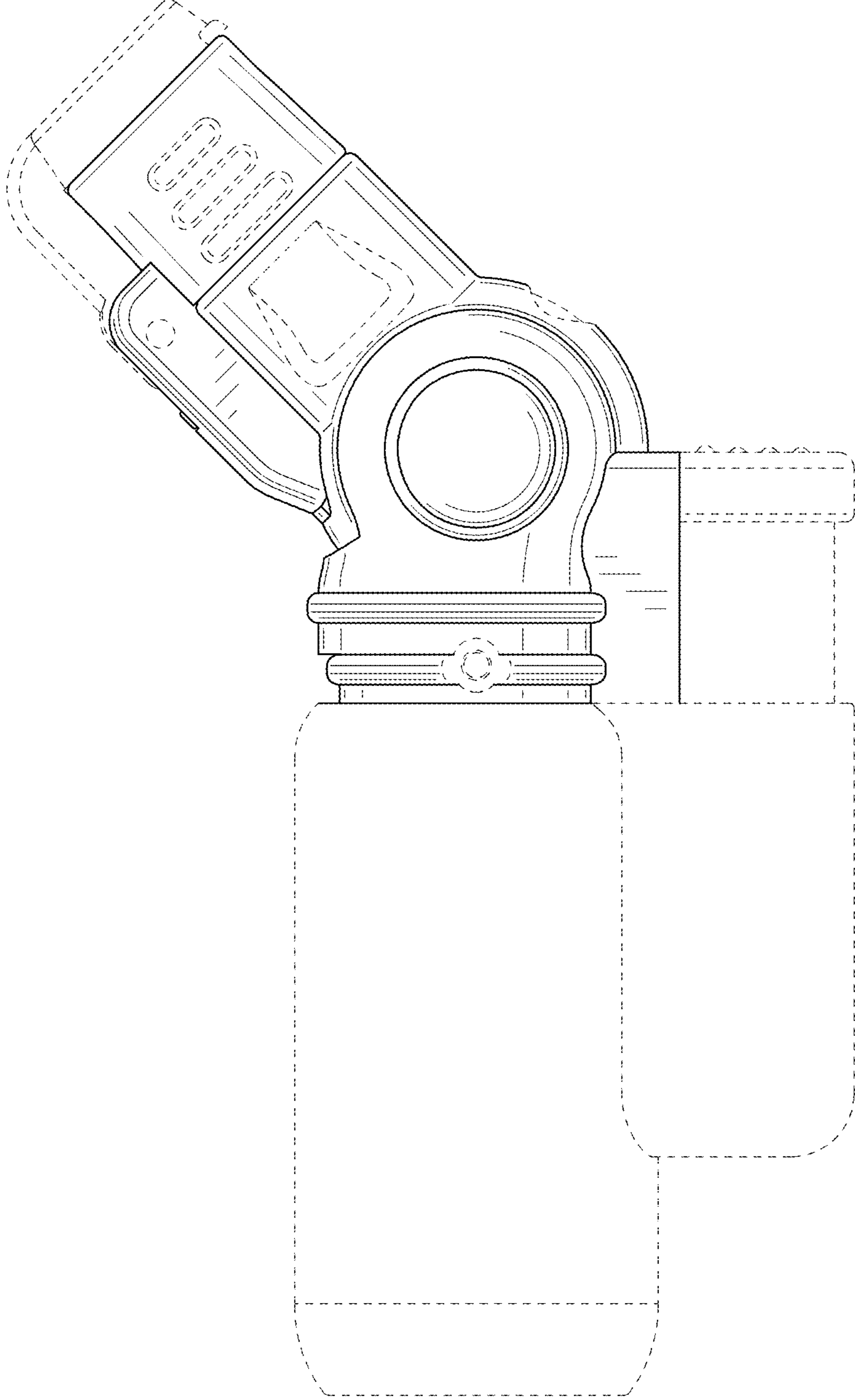


FIG. 6

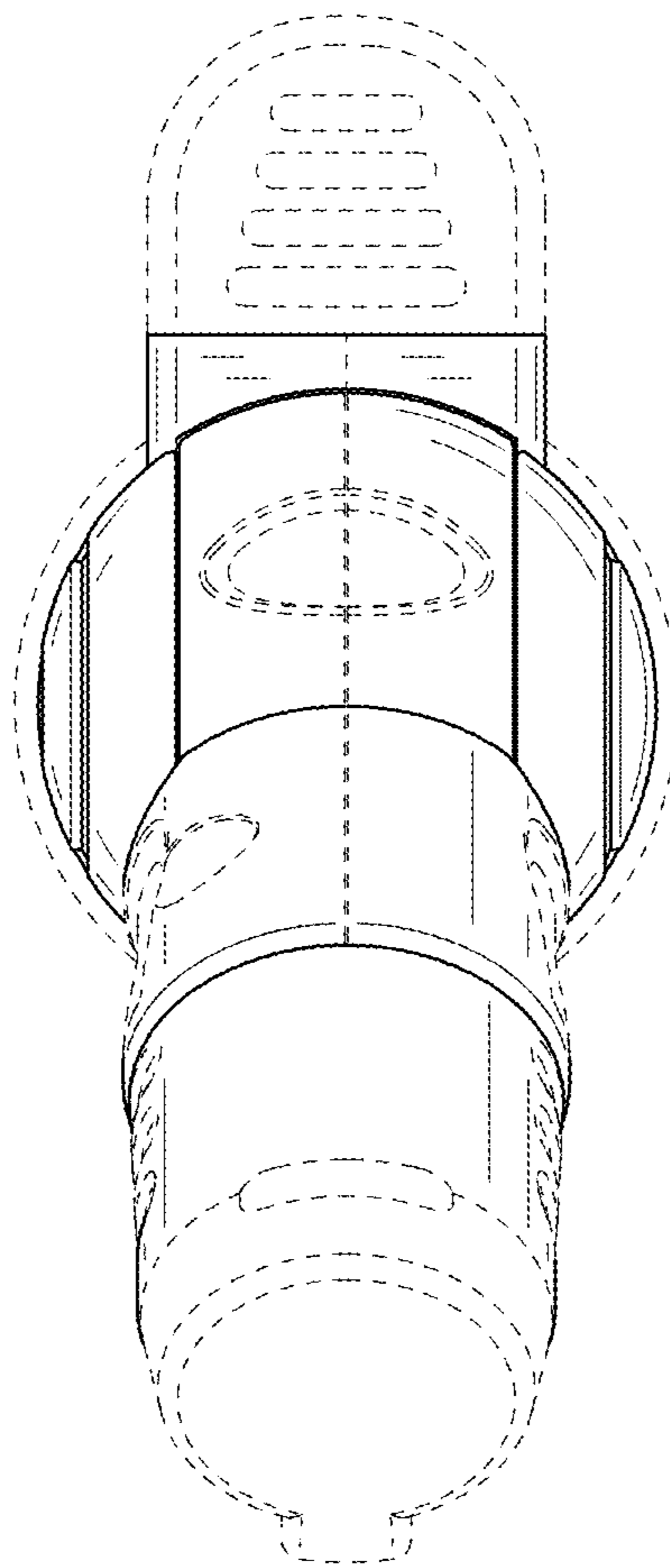


FIG. 7

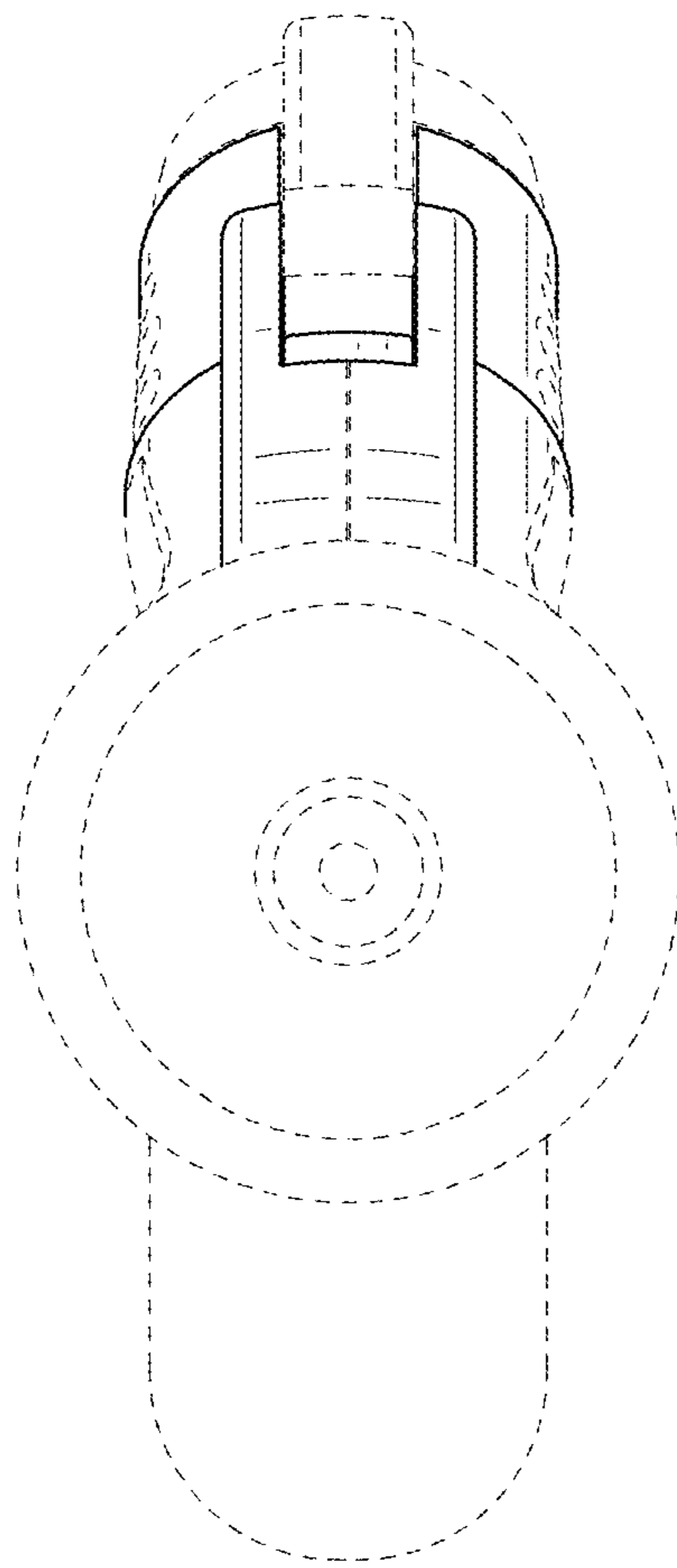


FIG. 8

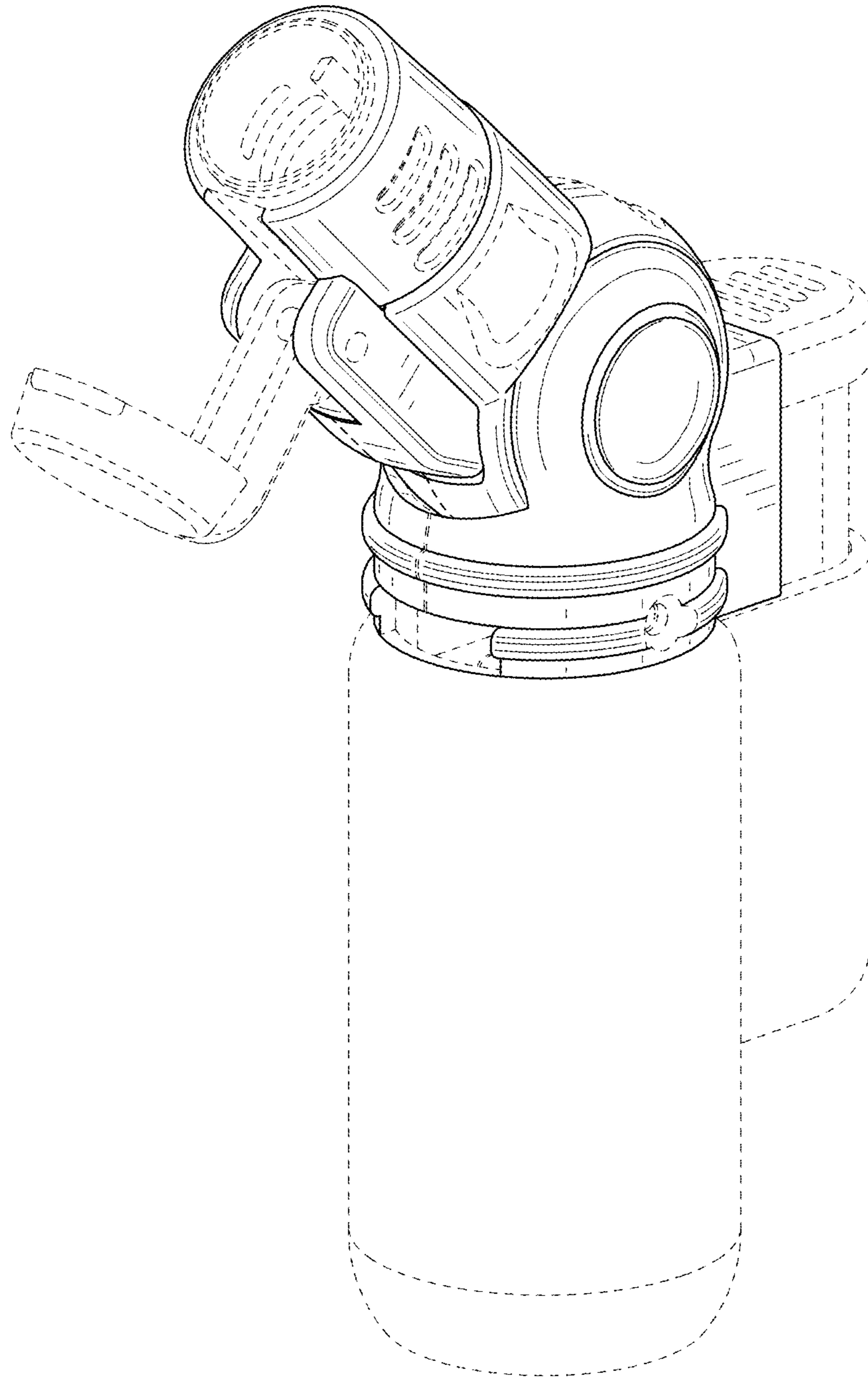


FIG. 9

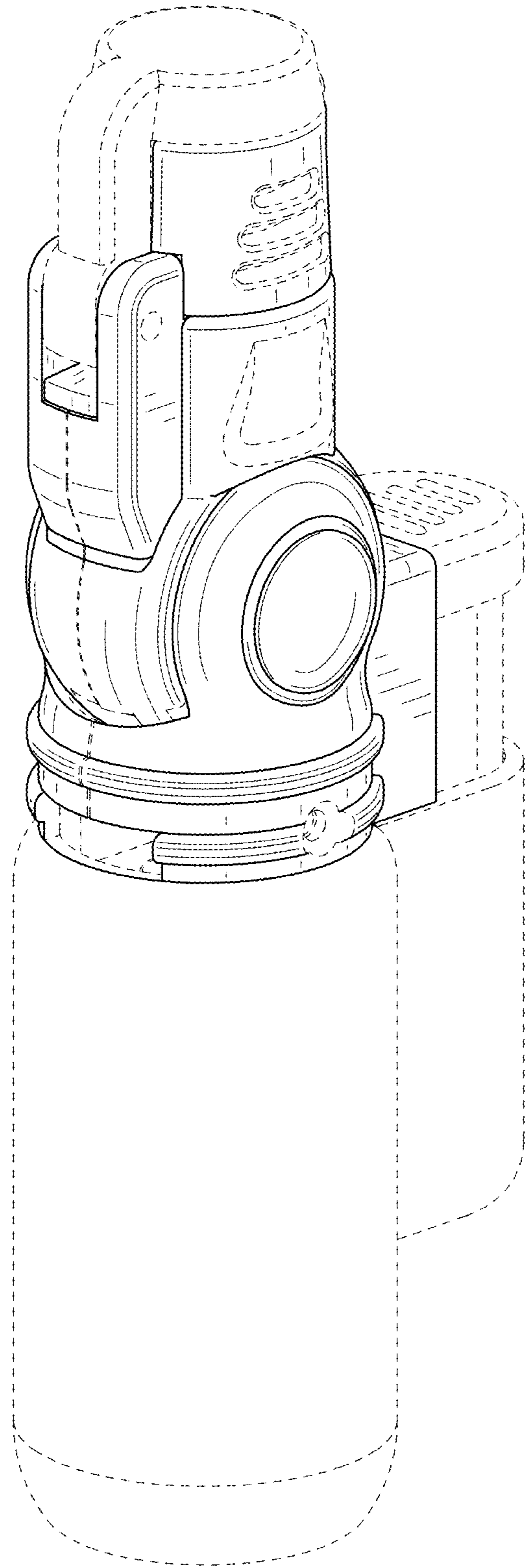


FIG. 10

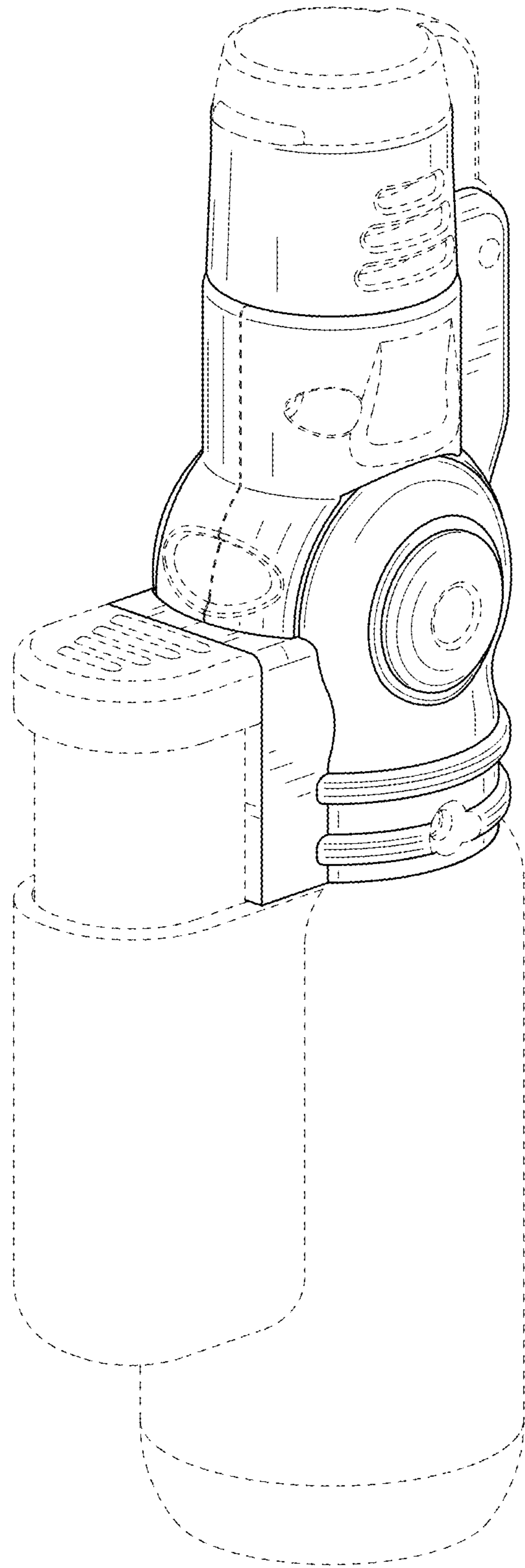


FIG. 11