



US00D943804S

(12) **United States Design Patent** (10) **Patent No.:** **US D943,804 S**  
**Rudisill et al.** (45) **Date of Patent:** **\*\* Feb. 15, 2022**

(54) **ELECTRODE TRACK SECTION**

(71) Applicants: **Charles Albert Rudisill**, Apex, NC (US); **Daniel John Whittle**, Bellingham, WA (US)

(72) Inventors: **Charles Albert Rudisill**, Apex, NC (US); **Daniel John Whittle**, Bellingham, WA (US)

(73) Assignee: **Apex Technologies, Inc.**, Apex, NC (US)

(\*\*) Term: **15 Years**

(21) Appl. No.: **29/663,068**

(22) Filed: **Sep. 11, 2018**

(51) **LOC (13) Cl.** ..... **26-05**

(52) **U.S. Cl.**  
USPC ..... **D26/152**

(58) **Field of Classification Search**  
USPC ..... D26/152, 141, 76, 72, 74, 85, 42, 58  
CPC .... F21S 4/00; F21S 4/003; F21S 4/005; F21S 4/006; F21S 4/007; F21S 4/008  
See application file for complete search history.

(56) **References Cited**

**U.S. PATENT DOCUMENTS**

3,840,842	A	10/1974	Gabryelewicz	
6,244,733	B1	6/2001	Fong et al.	
D471,599	S	3/2003	Manville	
D563,580	S	3/2008	Prazoff	
D565,786	S	4/2008	Willmorth et al.	
7,416,422	B2	8/2008	Lehman et al.	
D577,858	S	9/2008	Chetcuti	
7,520,762	B2	4/2009	Lehman et al.	
D605,349	S *	12/2009	Clark	D26/152
7,654,834	B1	2/2010	Mier-Langner et al.	

(Continued)

**FOREIGN PATENT DOCUMENTS**

DE	8904398	U1	8/1990
FR	2254930	A1	7/1975

**OTHER PUBLICATIONS**

Molto Luce Lighting Catalog pp. 1-3, 87-102 downloaded from <https://moltolucelighting.com/literature/m/2017-18%20Molto%20Luce%20Catalog.pdf> on Jan. 29, 2019.

(Continued)

*Primary Examiner* — Mark A Goodwin  
*Assistant Examiner* — Benjamin M Weeks

(74) *Attorney, Agent, or Firm* — Patent Leverage LLC

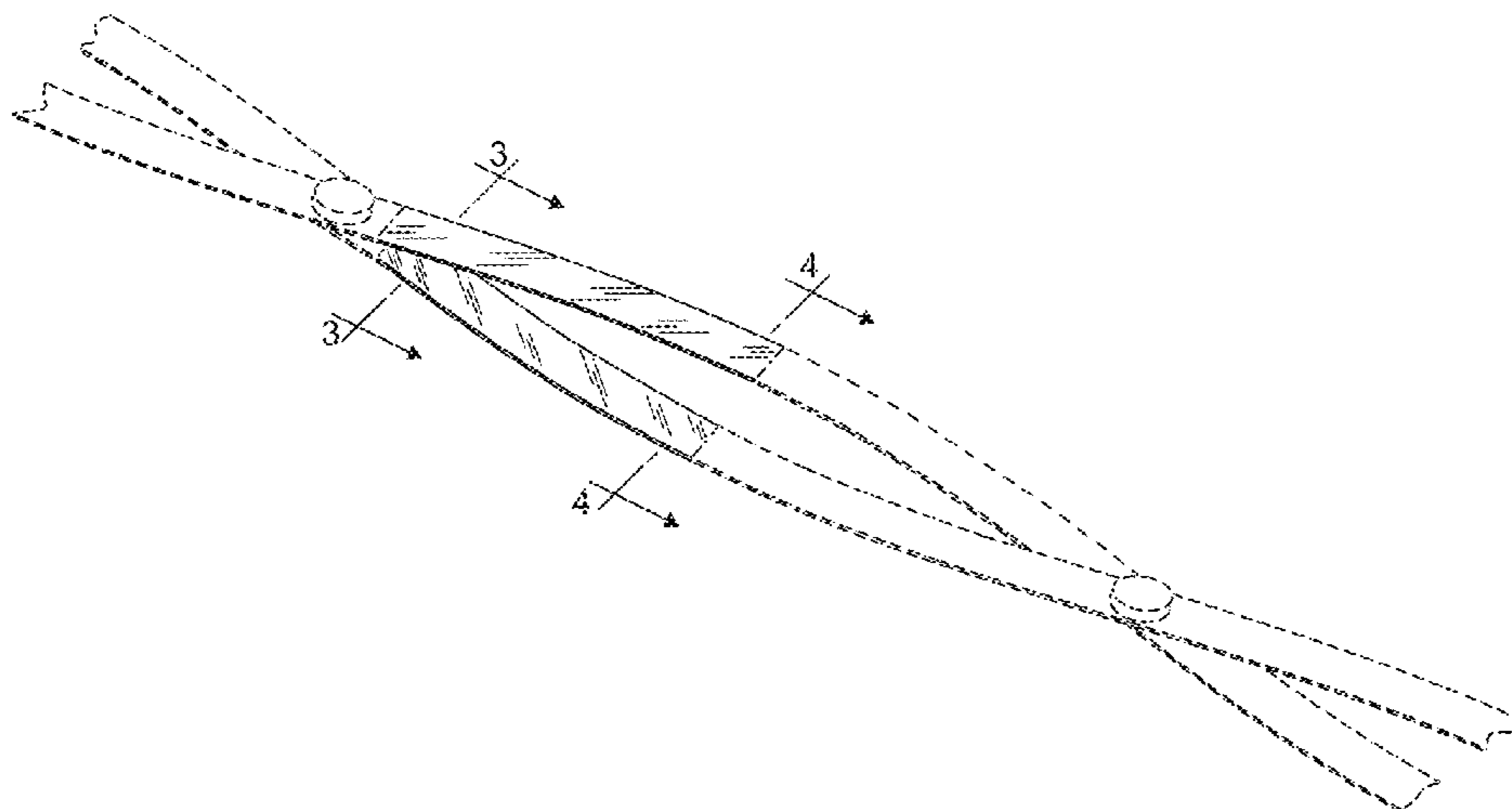
(57) **CLAIM**

The ornamental design for an electrode track section, substantially, as shown and described.

**DESCRIPTION**

FIG. 1 is a top perspective view of an electrode track section showing our new design;  
FIG. 2 is a bottom perspective view thereof;  
FIG. 3 is a cross-sectional view thereof at the location indicated in FIG. 1;  
FIG. 4 is a cross-sectional view thereof at the location indicated in FIG. 1;  
FIG. 5 is a top view thereof;  
FIG. 6 is bottom view thereof;  
FIG. 7 is a front view thereof;  
FIG. 8 is a rear view thereof;  
FIG. 9 is another top perspective view thereof, showing portions of an attached electronic module such as a track light fixture as environmental structure; and,  
FIG. 10 is a bottom perspective view of FIG. 9.  
The dot-dash lines in the figures immediately adjacent to the shaded regions define boundaries of the claimed design. The other broken lines showing environmental structure in the figures are for illustrative purposes only and forms no part of the claimed design. The shade lines in the figures show contour and not surface ornamentation.

**1 Claim, 3 Drawing Sheets**



(56)

References Cited

U.S. PATENT DOCUMENTS

7,661,870 B2 2/2010 Mobarak et al.  
 7,722,230 B2 5/2010 Chien  
 D622,892 S 8/2010 Nicholas  
 D665,120 S 8/2012 Damen et al.  
 8,827,511 B2 9/2014 Chien  
 D729,435 S 5/2015 Arndt et al.  
 D791,401 S \* 7/2017 Sonneman ..... D26/152  
 D810,992 S 2/2018 Ng et al.  
 10,018,339 B2 7/2018 Sonneman  
 D827,182 S \* 8/2018 Deusing ..... D26/76  
 D833,664 S \* 11/2018 Verfueth ..... D26/76  
 D843,046 S \* 3/2019 Watt ..... D26/76  
 D846,786 S \* 4/2019 Tremaine ..... D26/76  
 D851,806 S \* 6/2019 Richardson ..... D26/81  
 D851,819 S \* 6/2019 Sperling ..... D26/144  
 D877,391 S \* 3/2020 Lin ..... D26/76  
 D883,555 S \* 5/2020 Jordan ..... D26/76  
 D892,384 S \* 8/2020 Keim ..... D26/88

D914,263 S \* 3/2021 Anastasiades ..... D26/76  
 2013/0192891 A1 8/2013 Davis  
 2014/0218906 A1\* 8/2014 Liu ..... F21V 21/35  
 362/220  
 2016/0033099 A1 2/2016 Bergman et al.  
 2016/0290575 A1 10/2016 Libon et al.  
 2017/0030561 A1 2/2017 Dix

OTHER PUBLICATIONS

LumenArt Lighting WLP Pendant downloaded from <http://lumenartltd.com/designer-series/8-designer-series/330-wlp> on Jan. 29, 2019.  
 LumenArt Lighting WAW Wall downloaded from <http://lumenartltd.com/designer-series/8-designer-series/331-waw> on Jan. 29, 2019.  
 Memo Lighting In the Wind Pendant Horizontal downloaded from <http://nemolighting.com/products/show/in-the-wind-pendant-horizontal/> on Jan. 29, 2019.  
 Nemo Lighting In the Wind Floor downloaded from <http://nemolighting.com/products/show/in-the-wind-floor/> on Jan. 29, 2019.

\* cited by examiner

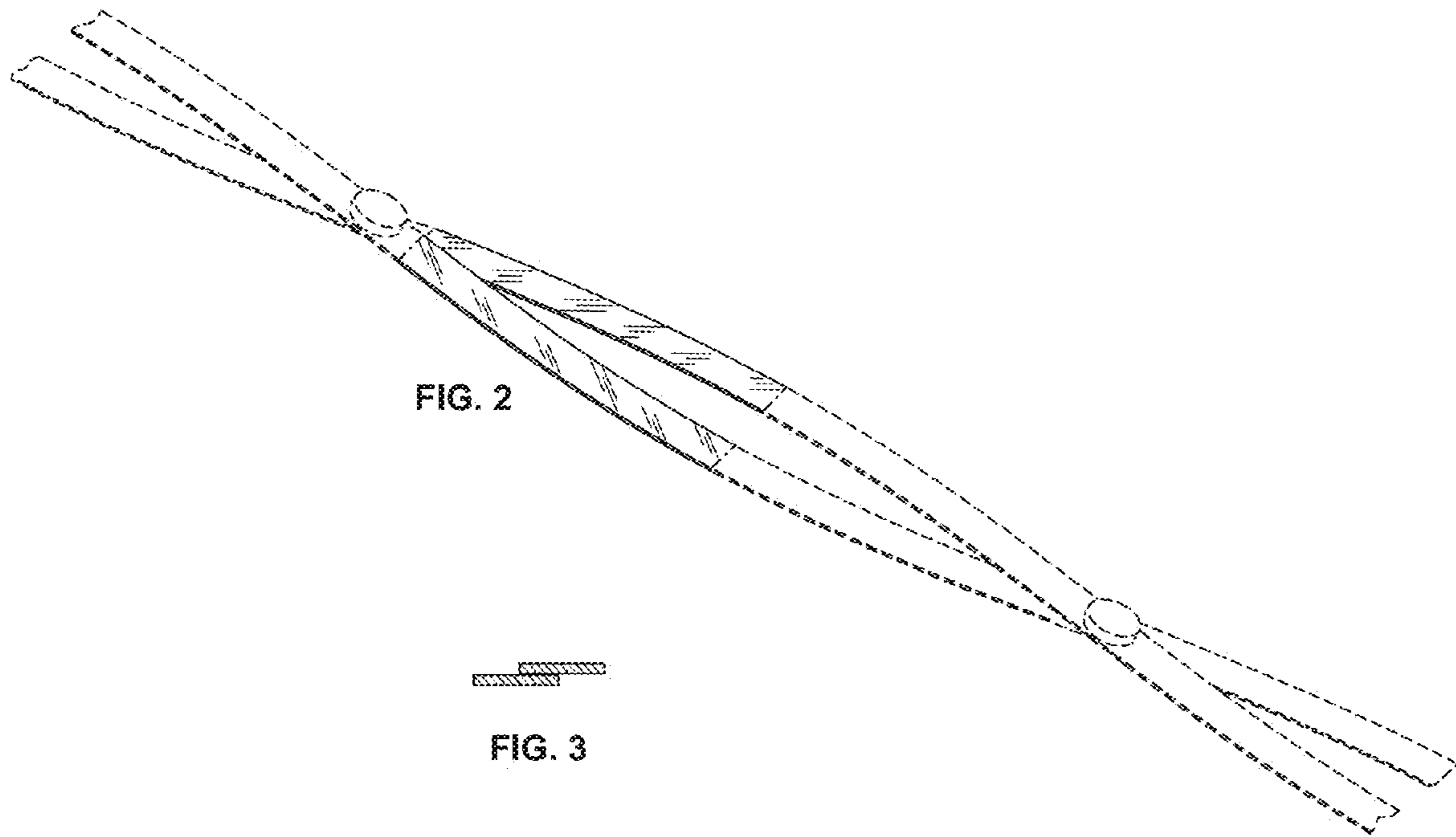
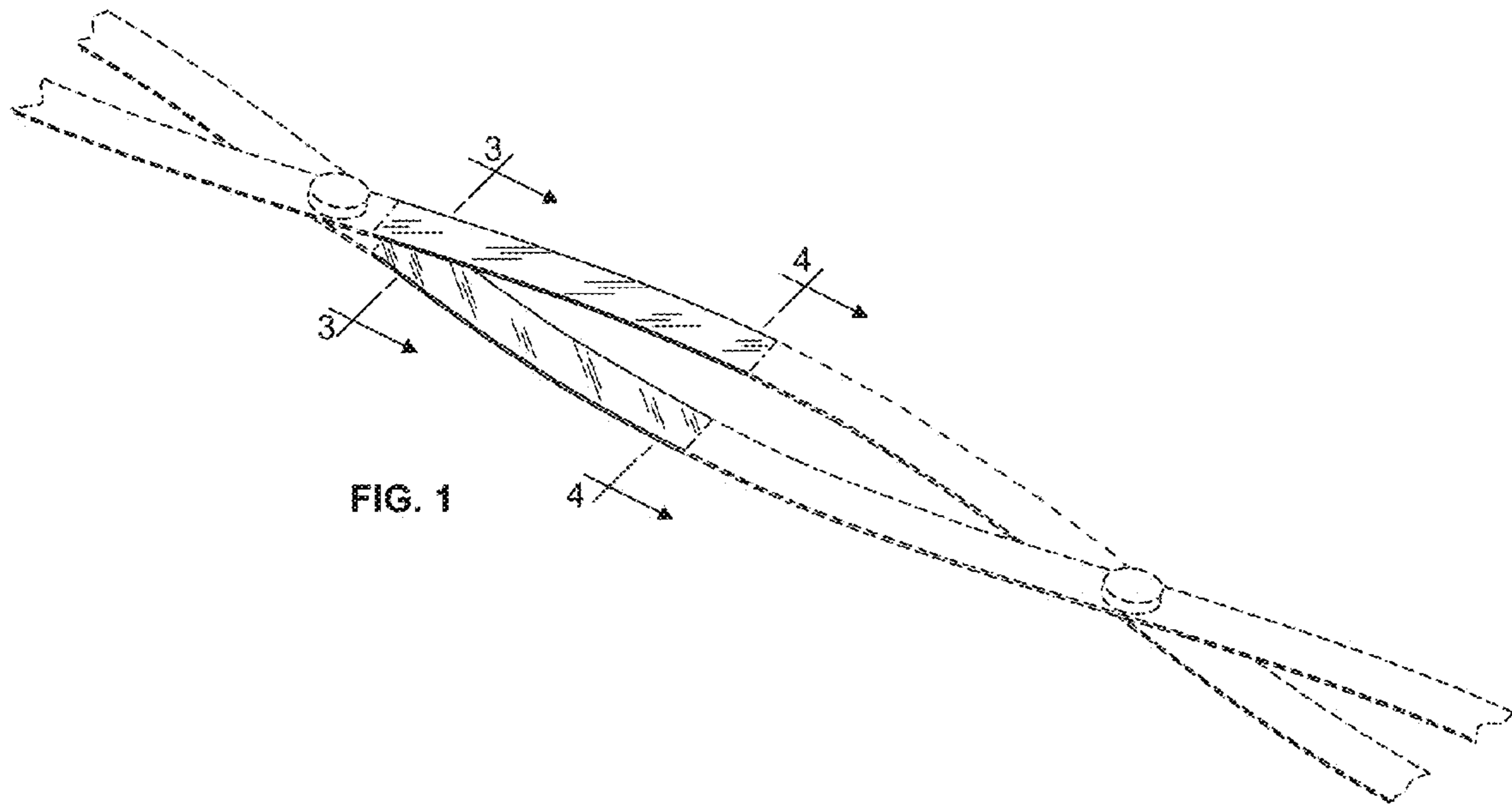


FIG. 3



FIG. 4

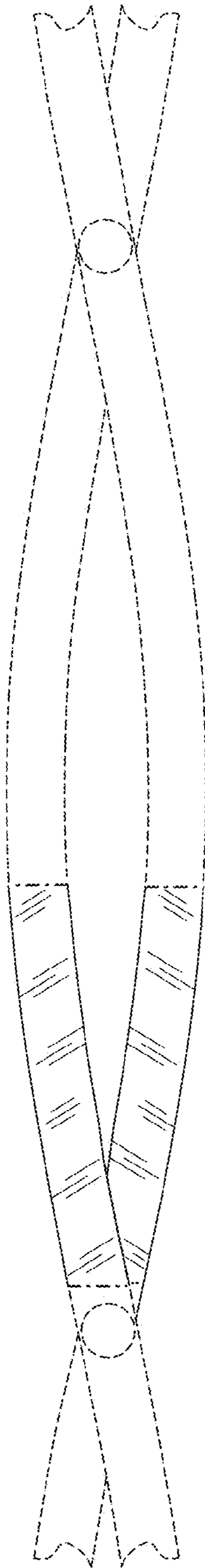


FIG. 5

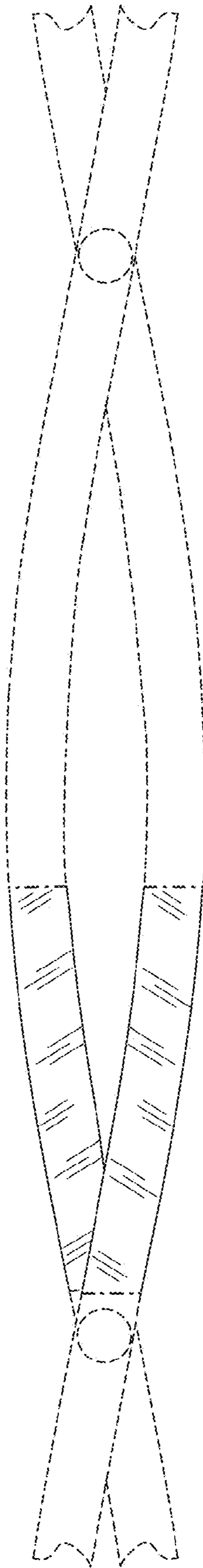


FIG. 6

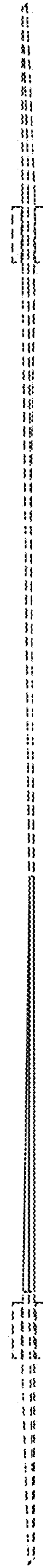


FIG. 7

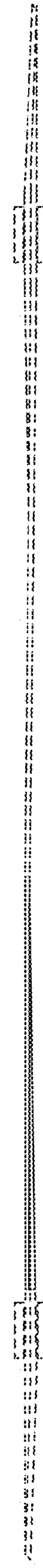


FIG. 8



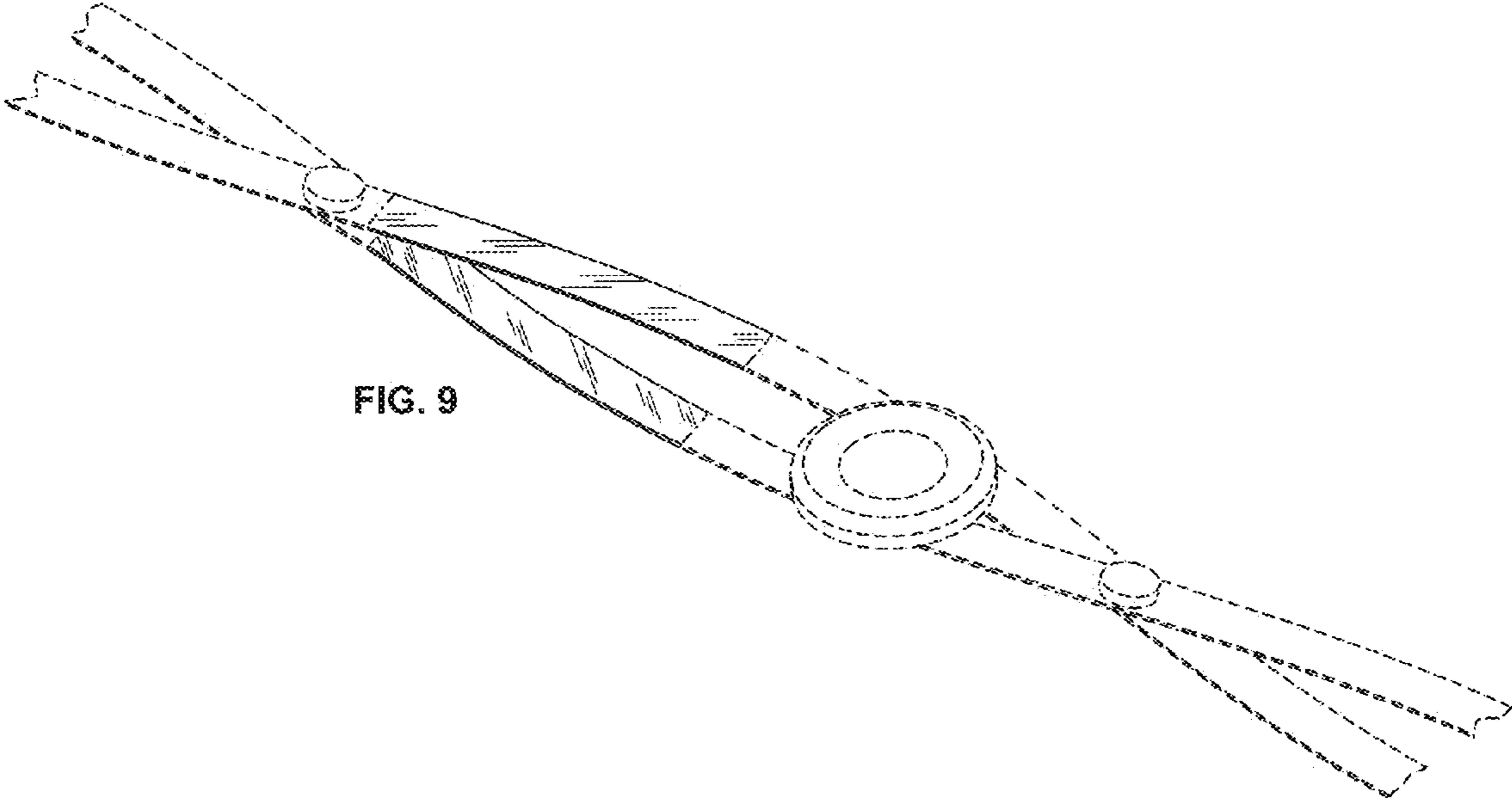


FIG. 9

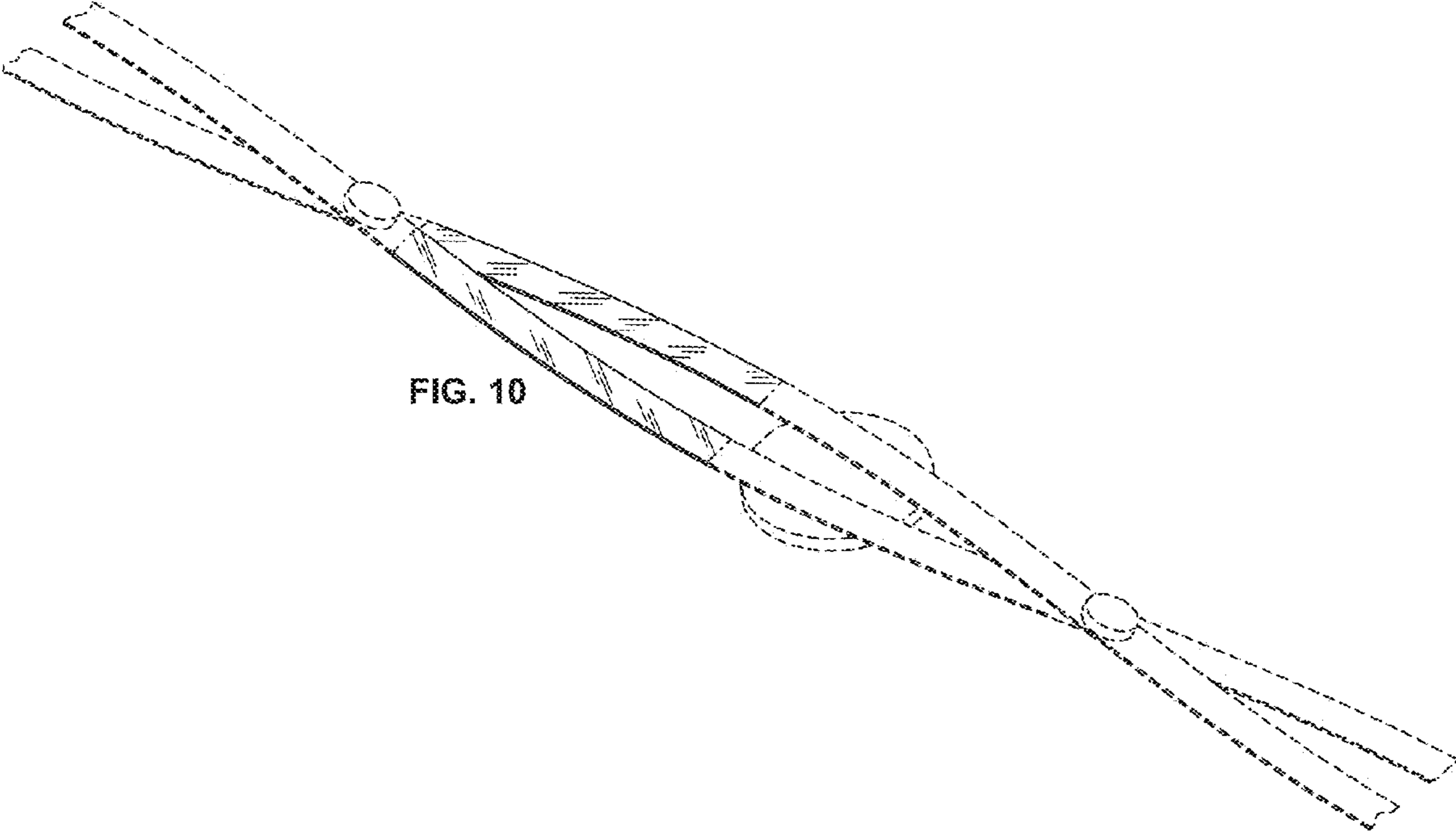


FIG. 10