



US00D943801S

(12) **United States Design Patent** (10) **Patent No.:** **US D943,801 S**  
**Bie** (45) **Date of Patent:** **\*\* Feb. 15, 2022**

(54) **LEVITATING LAMP**

(71) Applicant: **Ying Bie**, Shenzhen (CN)

(72) Inventor: **Ying Bie**, Shenzhen (CN)

(\*\*) Term: **15 Years**

(21) Appl. No.: **29/644,922**

(22) Filed: **Apr. 21, 2018**

(30) **Foreign Application Priority Data**

Mar. 12, 2018 (EM) ..... 004750727  
Mar. 12, 2018 (GB) ..... 6029909

(51) **LOC (13) Cl.** ..... **26-03**

(52) **U.S. Cl.**  
USPC ..... **D26/110; D26/94**

(58) **Field of Classification Search**  
USPC ..... D26/37, 38, 51, 110, 60, 63, 24, 57, 93,  
D26/94, 104, 106, 107, 108  
CPC ..... F21L 2003/00; F21L 4/00; F21L 4/005;  
F21L 4/02; F21L 4/025; F21L 4/027;  
F21L 4/04; F21L 4/08; F21L 2005/00;  
F21L 7/00; F21L 11/00; F21L 13/00;  
F21L 13/04; F21L 13/08; F21L 14/02;  
F21L 17/00; F21L 19/00; F21L 25/00;  
F21S 8/031; F21S 8/036; F21S 6/00;  
F21S 6/002; F21S 6/004; F21S 6/005;  
F21W 2121/00; F21W 2121/008

See application file for complete search history.

(56) **References Cited**

**U.S. PATENT DOCUMENTS**

D302,867 S \* 8/1989 Dennis ..... D26/110  
D395,715 S \* 6/1998 Queen ..... D26/24  
D480,497 S \* 10/2003 Lau Ting Yup ..... D26/104  
D496,126 S \* 9/2004 Huang ..... D26/104  
D670,424 S \* 11/2012 Lee ..... D26/93  
D703,364 S \* 4/2014 Meise ..... D26/87

D731,579 S \* 6/2015 Bart ..... D16/203  
D752,802 S \* 3/2016 Johnson ..... D26/94  
D762,913 S \* 8/2016 Anderson ..... D26/106  
D772,473 S \* 11/2016 Feit ..... D26/110  
9,521,301 B2 \* 12/2016 Bart ..... H04N 5/2252  
D799,100 S \* 10/2017 Morris ..... D26/110  
D810,349 S \* 2/2018 Sempe ..... D26/104  
D810,350 S \* 2/2018 Sempe ..... D26/104  
D818,629 S \* 5/2018 Zhou ..... D26/106

(Continued)

**FOREIGN PATENT DOCUMENTS**

CN 303573962 \* 1/2016  
CN 303990325 \* 12/2016

(Continued)

**OTHER PUBLICATIONS**

Om/One Prototype, [online] {site visited Nov. 11, 2019}. Available from Internet, <<https://www.youtube.com/watch?v=OMuipEV-2Sw>>, 2 pages (Year: 2014).\*

(Continued)

*Primary Examiner* — Leanne Was-Englehart

(74) *Attorney, Agent, or Firm* — W&KIP

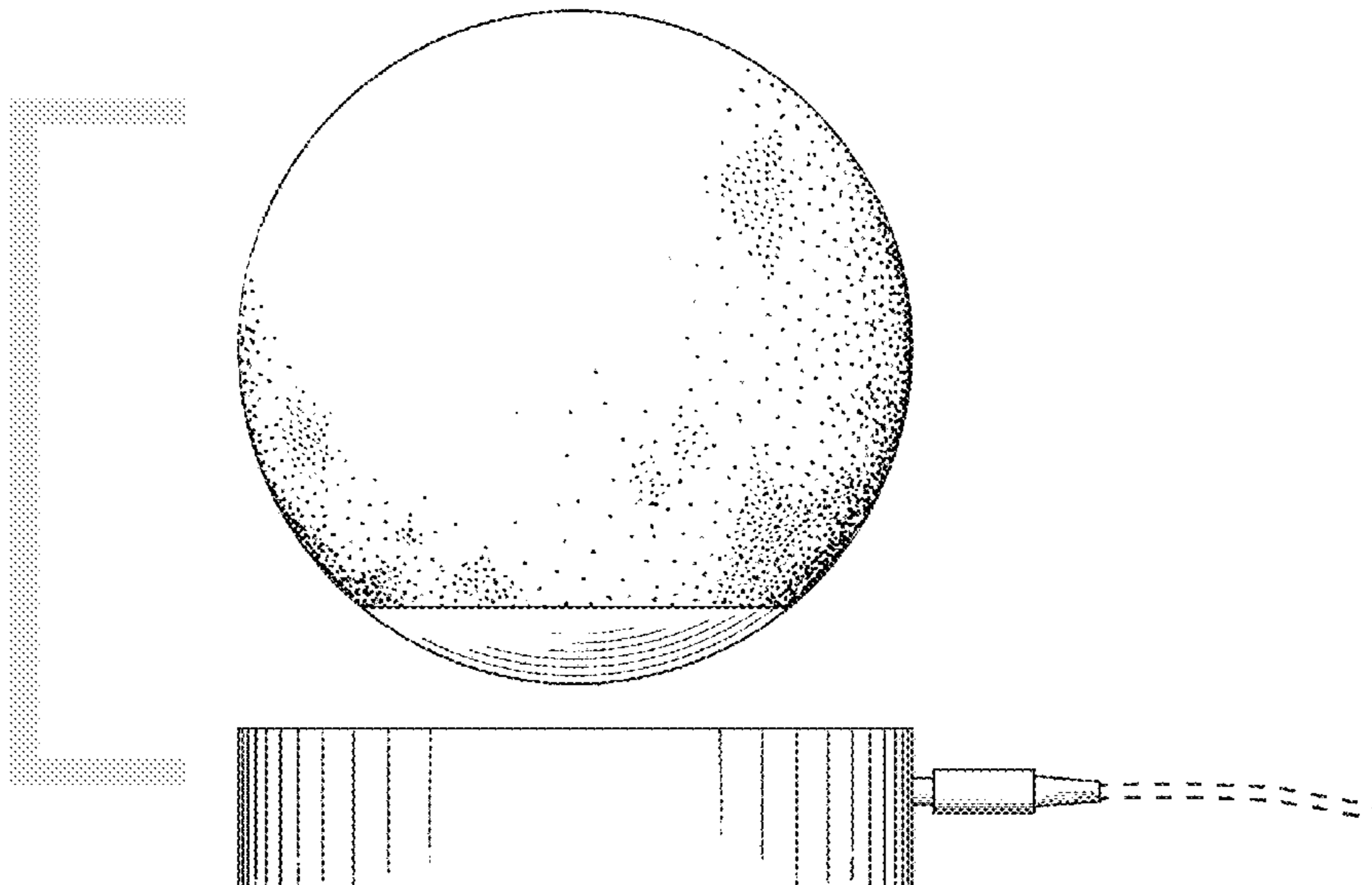
(57) **CLAIM**

The ornamental design for a levitating lamp, as shown and described.

**DESCRIPTION**

FIG. 1 is a front view of a levitating lamp.  
FIG. 2 is a back view showing my design;  
FIG. 3 is a left side view showing my design;  
FIG. 4 is a right side view showing my design;  
FIG. 5 is a top plan view showing my design; and,  
FIG. 6 is a bottom plan view showing my design.  
The broken lines depict portions of the levitating lamp that form no part of the claimed design.

**1 Claim, 6 Drawing Sheets**



(56)

References Cited

OTHER PUBLICATIONS

U.S. PATENT DOCUMENTS

D827,488 S \* 9/2018 Borocz ..... D11/152  
 D831,878 S \* 10/2018 Reybier ..... D26/93  
 D835,832 S \* 12/2018 Luo ..... D26/107  
 D836,022 S \* 12/2018 Morris ..... D11/131  
 D848,051 S \* 5/2019 Huang ..... D26/104  
 D849,314 S \* 5/2019 Pan ..... D26/106  
 D854,226 S \* 7/2019 Lin ..... D26/104  
 D858,860 S \* 9/2019 Lin ..... D26/106  
 D861,009 S \* 9/2019 Lien ..... D14/480.7  
 D862,776 S \* 10/2019 Bie ..... D26/110  
 D884,252 S \* 5/2020 Deng ..... D26/106  
 D905,316 S \* 12/2020 Bie ..... D26/93  
 D912,303 S \* 3/2021 Anastasiades ..... D26/93  
 D915,662 S \* 4/2021 Zhang ..... D26/110  
 D915,663 S \* 4/2021 Feng ..... D26/110

FOREIGN PATENT DOCUMENTS

CN 304097777 \* 4/2017  
 CN 304573735 \* 4/2018  
 CN 304813176 \* 9/2018  
 EM 004750727-0001 \* 3/2018  
 EM 005228053-0001 \* 4/2018

Om/One Levitatiing Bluetooth speaker, [online] {site visited Nov. 11, 2019}. Available from Internet, <<https://www.youtube.com/watch?v=8YyervaOvYE>>, 1 page (Year: 2015).\*

VGAzer Levitating Moon lamp[online],Site visited Jul. 6, 2020. Avail. from internet. <[https://www.amazon.com/VGAzer-Levitating-Floating-Spinning-Printing/dp/B075WCXSJC/ref=asc\\_df\\_B075WCXSJC/?tag=bingshoppinga-20&linkCode=df0&hvadid=&hvpos=&hvnetw=o&hvrnd=&hvpone=&hvptwo=&hvqmt=e&hvdev=c](https://www.amazon.com/VGAzer-Levitating-Floating-Spinning-Printing/dp/B075WCXSJC/ref=asc_df_B075WCXSJC/?tag=bingshoppinga-20&linkCode=df0&hvadid=&hvpos=&hvnetw=o&hvrnd=&hvpone=&hvptwo=&hvqmt=e&hvdev=c)> 5 pages.\*

Leviluna Magnetic Levitation LED Moonlight 3D Moon Lamp Amazon.co.uk <https://www.amazon.co.uk/Leviluna-Magnetic-Levitation-Moonlight-Floating/dp/B0799DHFJZ> First Available Jan. 24, 2018 (Year: 2018).\*

Zeegine Leviluna YouTube <https://www.youtube.com/watch?v=K77NmicZGBk> Posted Jan. 15, 2018 (Year: 2018).\*

LEVILUNA Customized Levitation Moon Lamp Amazon [https://www.amazon.com/LEVILUNA-Customized-Levitation-Personalized-Christmas/dp/B078V7LRZC/ref=psdc\\_1063292\\_t3\\_B07RQKCR9V](https://www.amazon.com/LEVILUNA-Customized-Levitation-Personalized-Christmas/dp/B078V7LRZC/ref=psdc_1063292_t3_B07RQKCR9V) First Available Jan. 6, 2018 (Year: 2018).\*

\* cited by examiner

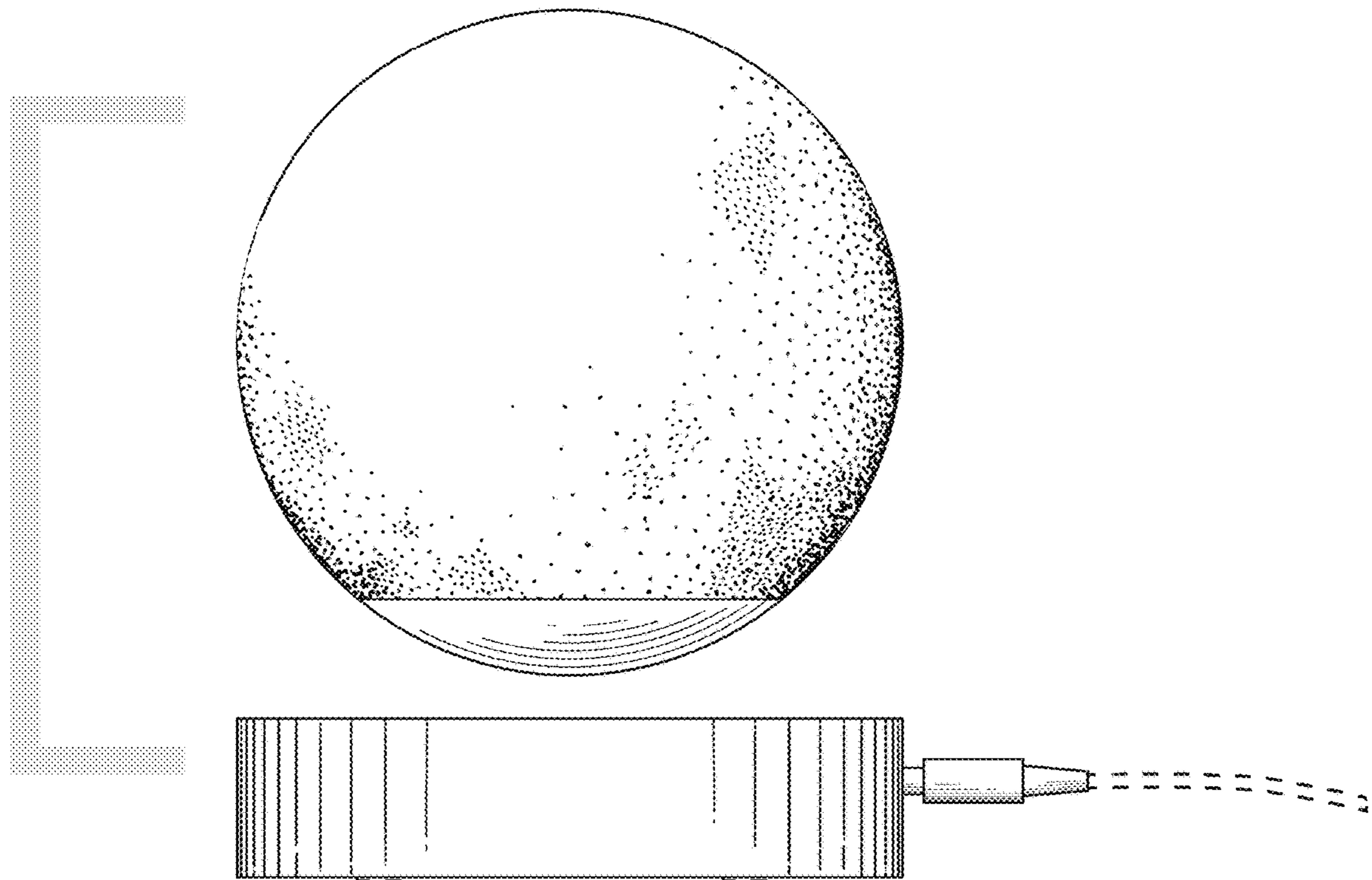


FIG. 1

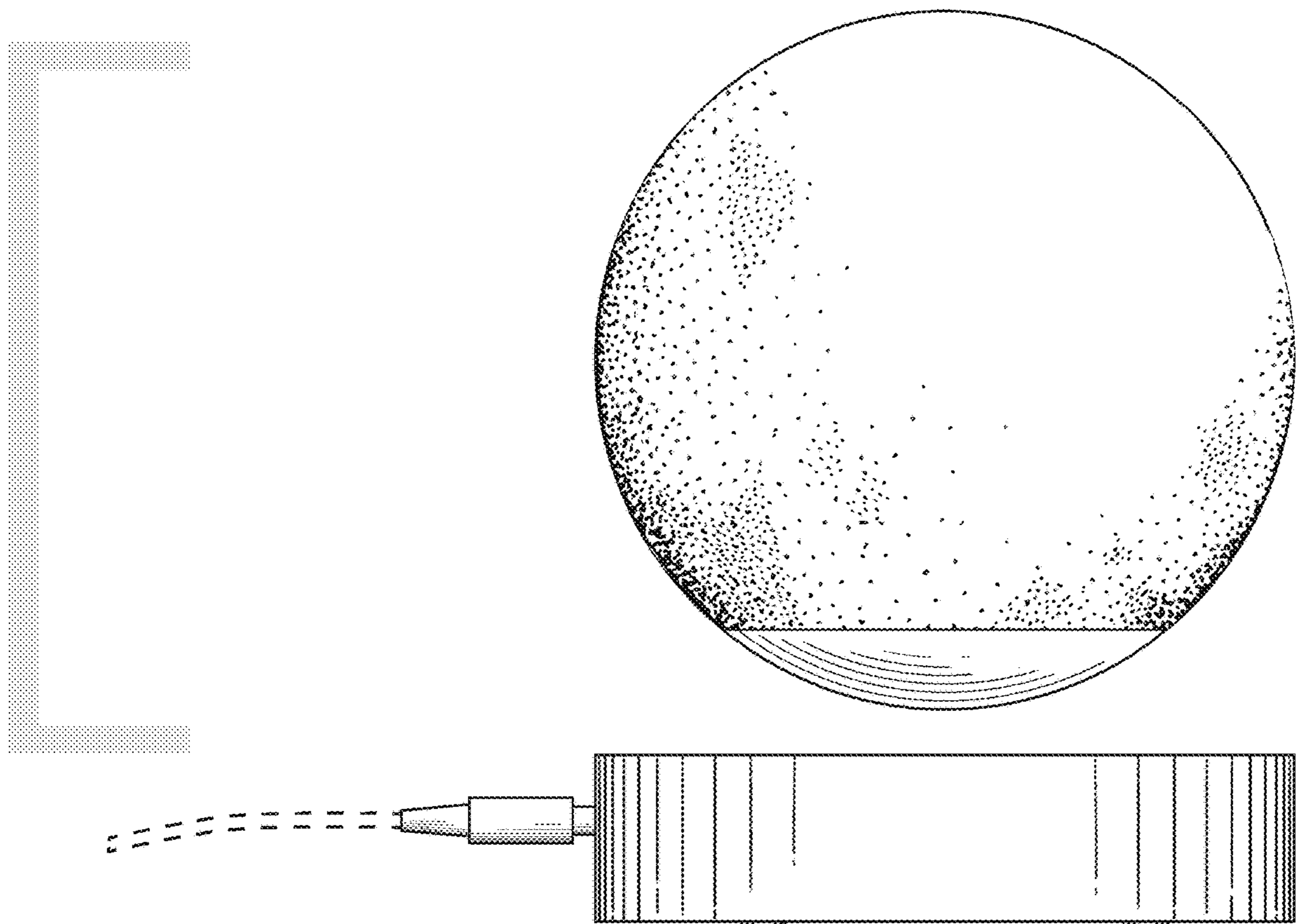


FIG. 2

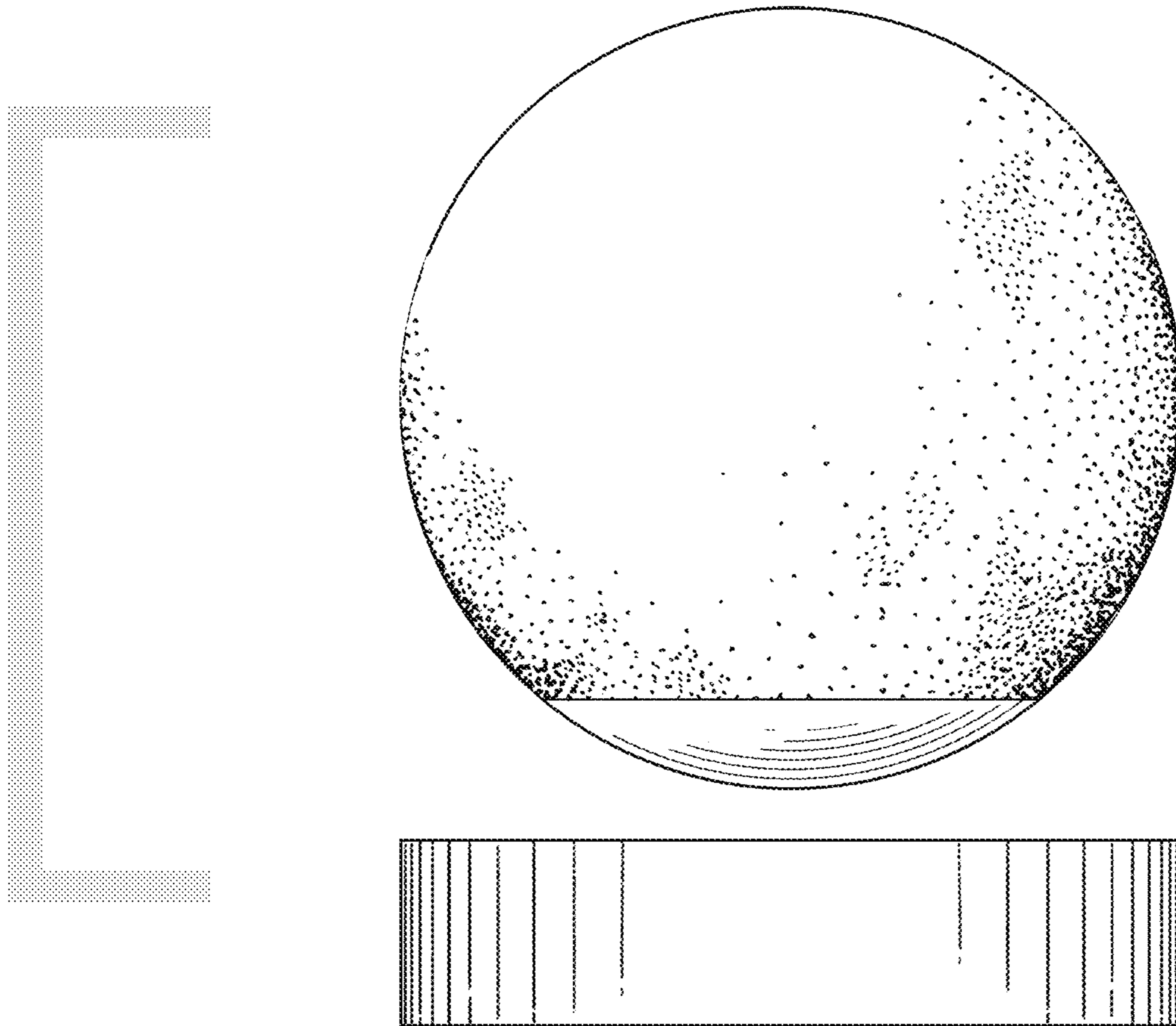


FIG. 3

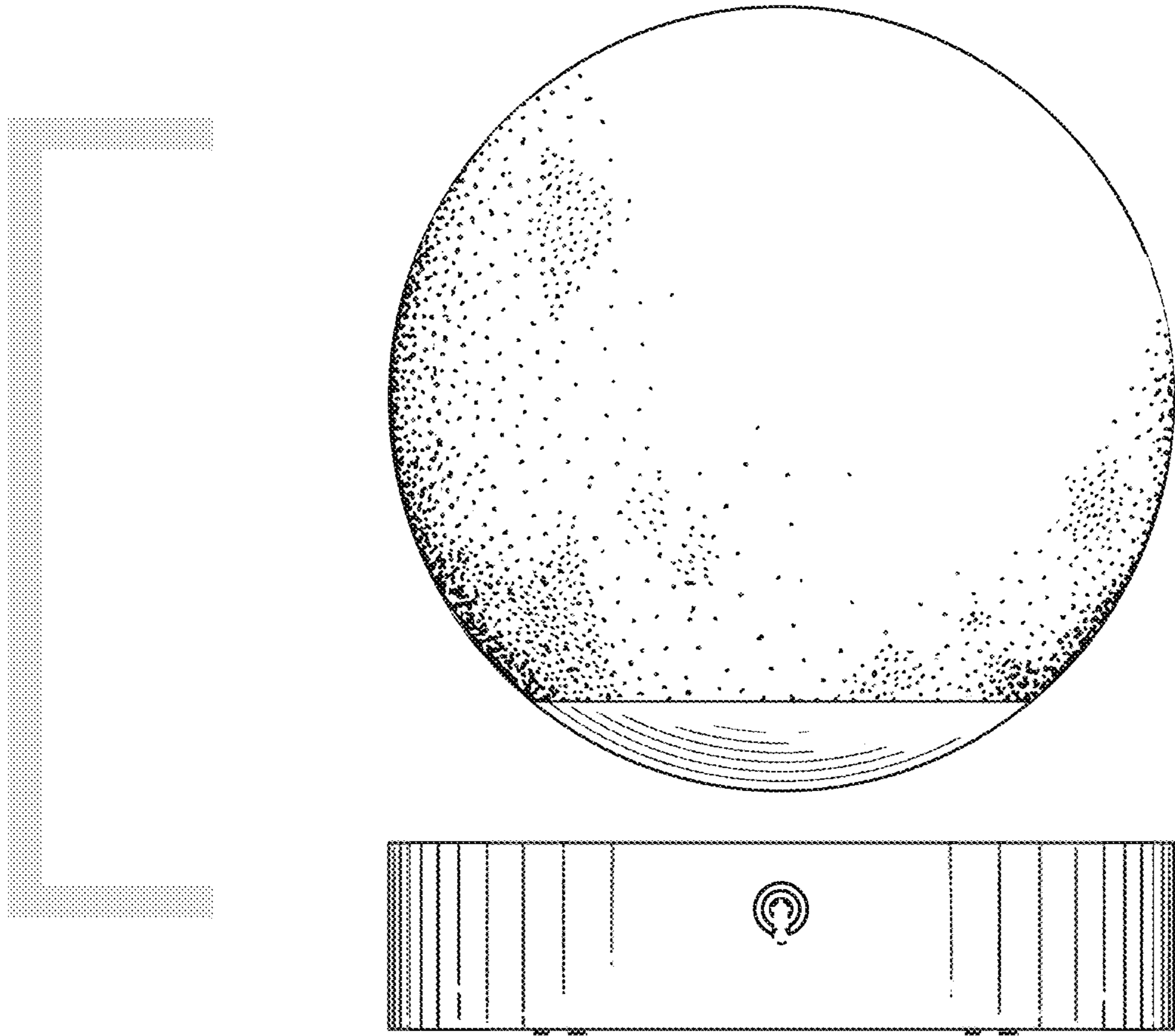


FIG. 4

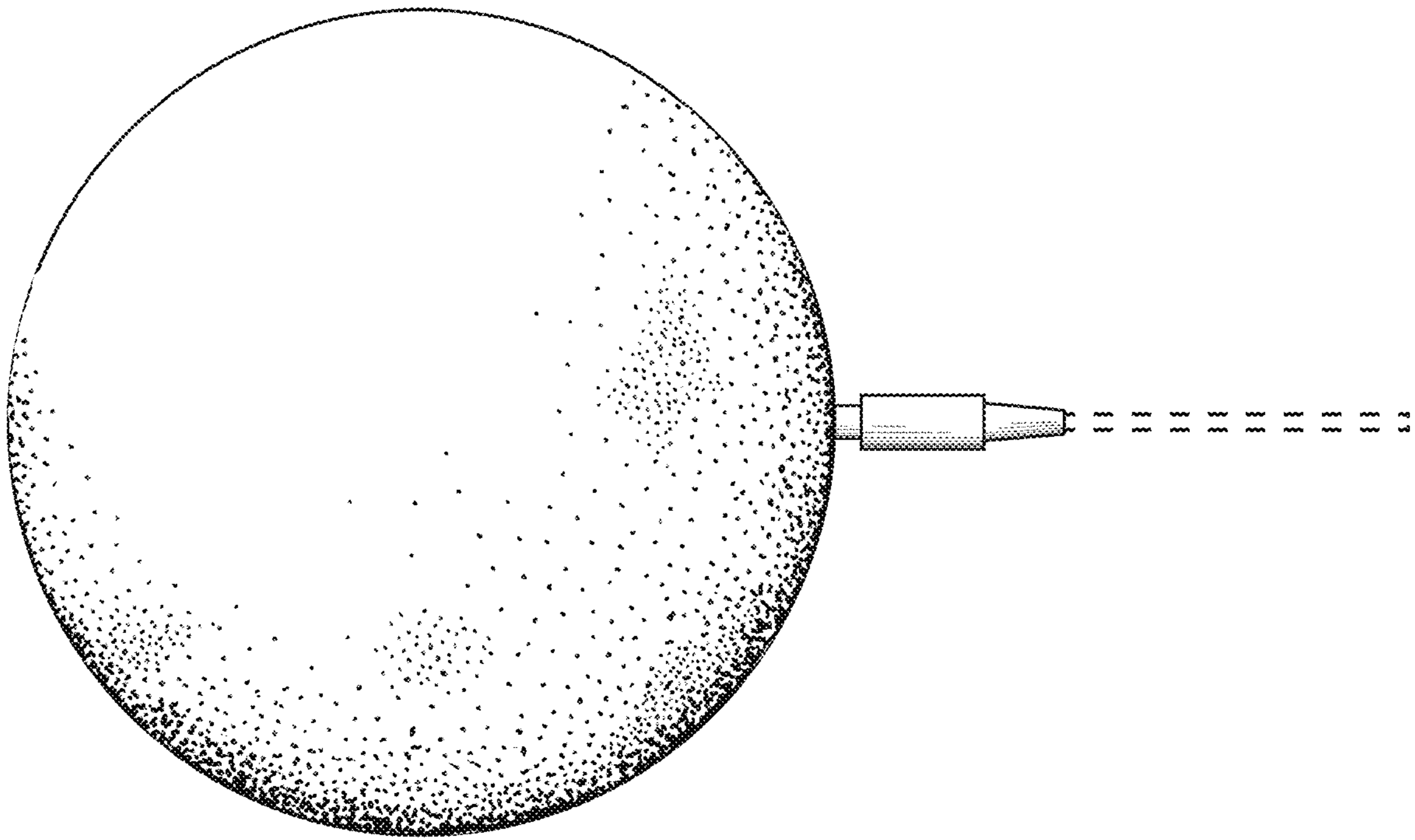


FIG. 5

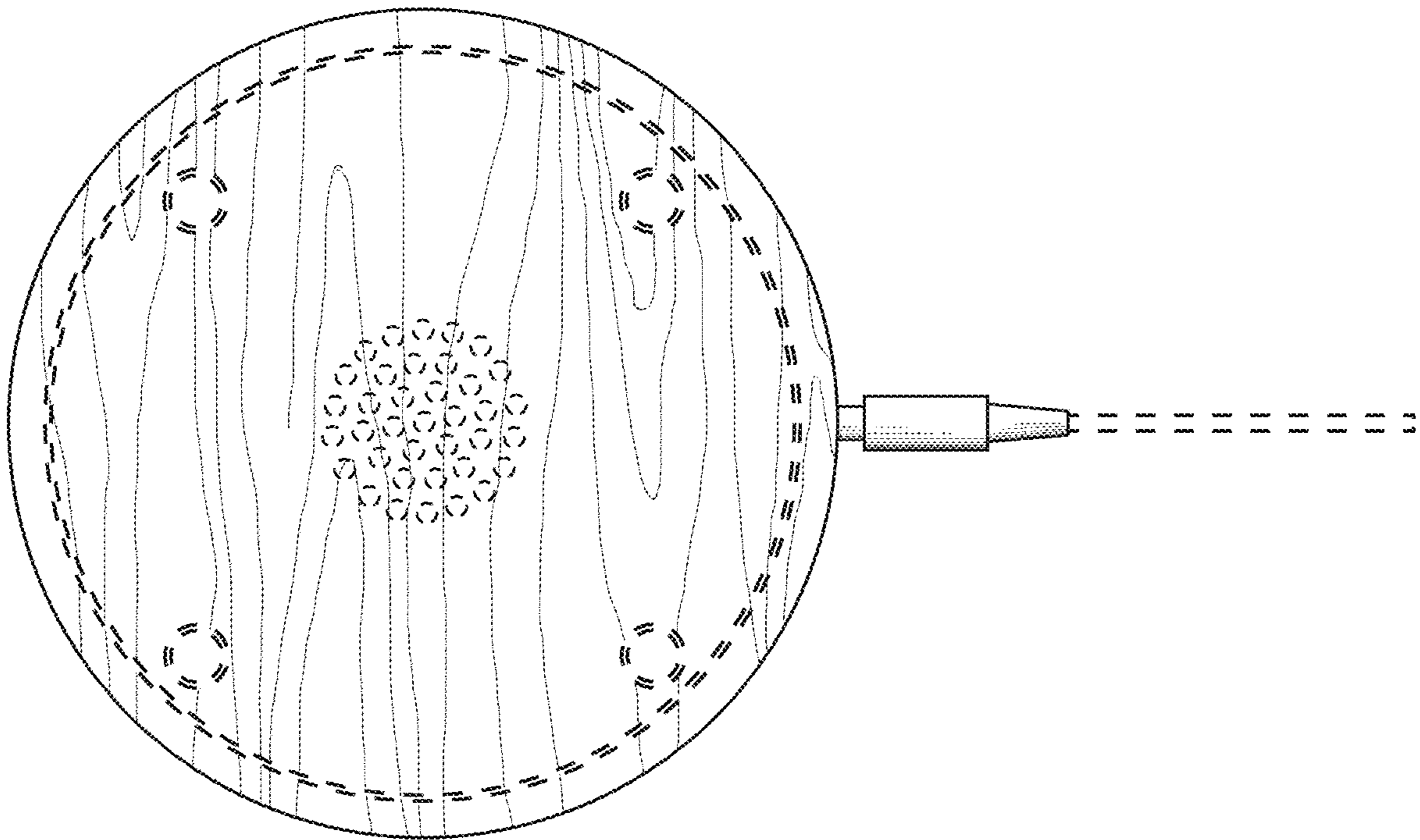


FIG. 6