



US00D943800S

(12) **United States Design Patent** (10) **Patent No.:** **US D943,800 S**
Wang (45) **Date of Patent:** **** Feb. 15, 2022**

(54) **PORTABLE SCENES LIGHT**
(71) Applicant: **LIGTZ LLC**, Holand, PA (US)
(72) Inventor: **Qiang Wang**, Holand, PA (US)
(73) Assignee: **LIGTZ LLC**, Holand, PA (US)

F21V 3/02; F21V 3/04; F21V 5/004;
F21V 5/005; F21V 7/00; F21V 7/0008;
F21V 7/0016; F21V 7/0033; F21V 7/045;
F21V 7/22; F21V 7/30; F21V 9/04; F21V
9/06; F21V 9/32; F21V 9/35; F21V 9/40;
F21S

(**) Term: **15 Years**

(56) **References Cited**

(21) Appl. No.: **29/691,396**

U.S. PATENT DOCUMENTS

(22) Filed: **May 15, 2019**

D469,207 S * 1/2003 Chang D26/104
D698,429 S * 1/2014 Jorgensen D23/366

(51) **LOC (13) Cl.** **26-05**

(Continued)

(52) **U.S. Cl.**

USPC **D26/104**

FOREIGN PATENT DOCUMENTS

(58) **Field of Classification Search**

USPC D26/24, 37-52, 93, 104-106, 113,
D26/118-120; D14/172, 194-195, 204,
D14/215-216; D23/366

GB 6061382 * 5/2019

CPC F21Y 2115/10; F21Y 2115/30; F21Y
2113/13; F21Y 2113/20; F21Y 2107/10;
F21Y 2107/20; F21Y 2113/10; F21V
5/04; F21V 21/30; F21V 29/74; F21V
14/02; F21V 14/06; F21V 14/08; F21V
17/164; F21V 29/83; F21V 7/0025; F21V
14/04; F21V 15/01; F21V 17/104; F21V
19/02; F21V 21/116; F21V 21/32; F21V
29/59; F21V 29/60; F21V 29/67; F21V
29/70; F21V 29/713; F21V 29/717; F21V
5/007; F21V 5/008; F21V 5/02; F21V
5/045; F21V 7/0091; F21V 7/04; F21V
7/06; F21V 9/08; F21V 11/186; F21V
13/08; F21V 14/00; F21V 15/013; F21V
15/015; F21V 17/005; F21V 17/02; F21V
17/12; F21V 19/001; F21V 19/005; F21V
1/08; F21V 21/0824; F21V 21/35; F21V
23/04; F21V 23/045; F21V 23/0485;
F21V 23/06; F21V 25/00; F21V 25/10;
F21V 29/502; F21V 29/507; F21V 29/51;
F21V 29/58; F21V 29/75; F21V 29/763;
F21V 29/77; F21V 29/80; F21V 29/86;
F21V 31/005; F21V 33/0048; F21V
33/0052; F21V 33/0056; F21V 3/00;

Primary Examiner — Marissa J Cash

Assistant Examiner — William B Melliar

(74) *Attorney, Agent, or Firm* — JCIP Global Inc.

(57) **CLAIM**

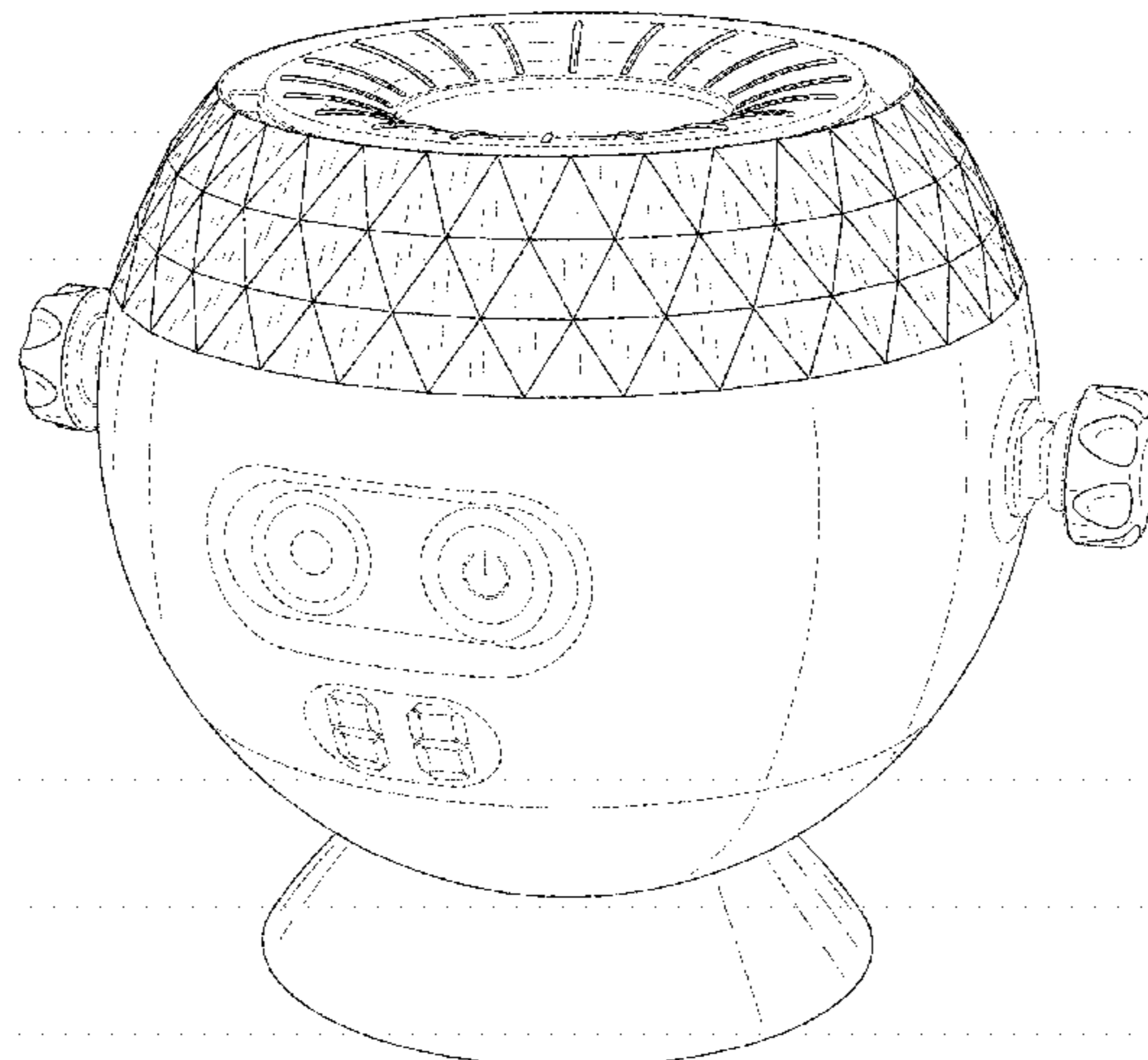
The ornamental design for a portable scenes light, as shown and described.

DESCRIPTION

FIG. 1 is a perspective view of a portable scenes light showing my new design;
FIG. 2 is another perspective view thereof;
FIG. 3 is a front view thereof;
FIG. 4 is a rear view thereof;
FIG. 5 is a left side view thereof;
FIG. 6 is a right side view thereof;
FIG. 7 is a top view thereof; and,
FIG. 8 is a bottom view thereof.

The broken lines immediately adjacent the shaded areas represent the bounds of the claimed design, while all other broken lines are directed to portions of the portable scenes

(Continued)



light and are for illustrative purposes only; the broken lines form no part of the claimed design.

1 Claim, 8 Drawing Sheets

(58) Field of Classification Search

CPC 43/14; F21S 43/26; F21S 41/255; F21S 43/50; F21S 10/007; F21S 41/148; F21S 41/16; F21S 41/176; F21S 41/285; F21S 10/00; F21S 10/002; F21S 2/00; F21S 2/005; F21S 41/141; F21S 41/24; F21S 41/25; F21S 41/275; F21S 41/321; F21S 41/33; F21S 41/36; F21S 41/365; F21S 41/675; F21S 43/15; F21S 43/245; F21S 43/31; F21S 43/315; F21S 43/40; F21S 6/00; F21S 9/02; F21S 10/063; F21S 41/10; F21S 41/172; F21S 41/27; F21S 41/28; F21S 41/295; F21S 41/32; F21S 41/338; F21S 41/43; F21S 41/635; F21S 41/663; F21S 41/686; F21S 41/689; F21S 41/692; F21S 43/237; F21S 43/241; F21S 43/247; F21S 43/249; F21S 6/002; F21S

6/003; F21S 6/004; F21S 8/032; F21S 8/033; F21S 8/036; F21S 8/081; F21S 8/083; F21S 8/086; F21W 2104/00; F21W 2121/008; F21W 2131/10; F21W 2131/406; F21W 2102/19; F21W 2103/60; F21W 2111/00; F21W 2121/00; F21W 2131/103; F21W 2131/105; F21W 2131/107

See application file for complete search history.

(56)

References Cited

U.S. PATENT DOCUMENTS

D720,063	S	*	12/2014	Li	D23/366
D829,961	S	*	10/2018	Lin	D26/104
D858,861	S	*	9/2019	Lin	D26/108
D861,965	S	*	10/2019	Lin	D26/110
D861,967	S	*	10/2019	Lin	D26/110
D866,014	S	*	11/2019	Zhang	D26/24
D875,994	S	*	2/2020	Yu	D26/104
D907,281	S	*	1/2021	Wu	D26/104
D914,957	S	*	3/2021	Zeng	D26/110
D917,774	S	*	4/2021	Wang	D26/110
D930,222	S	*	9/2021	Song	D26/106

* cited by examiner

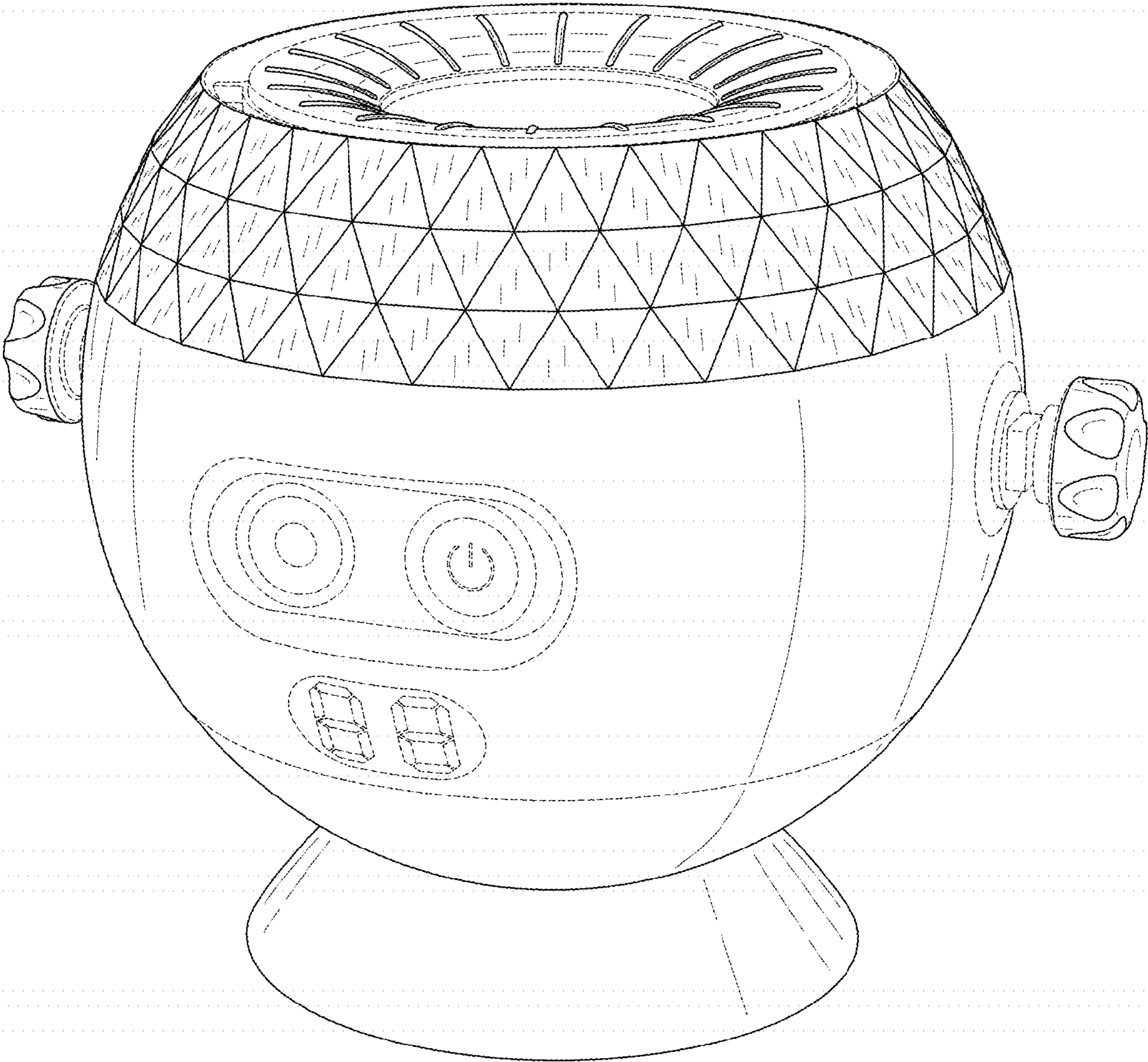


FIG. 1

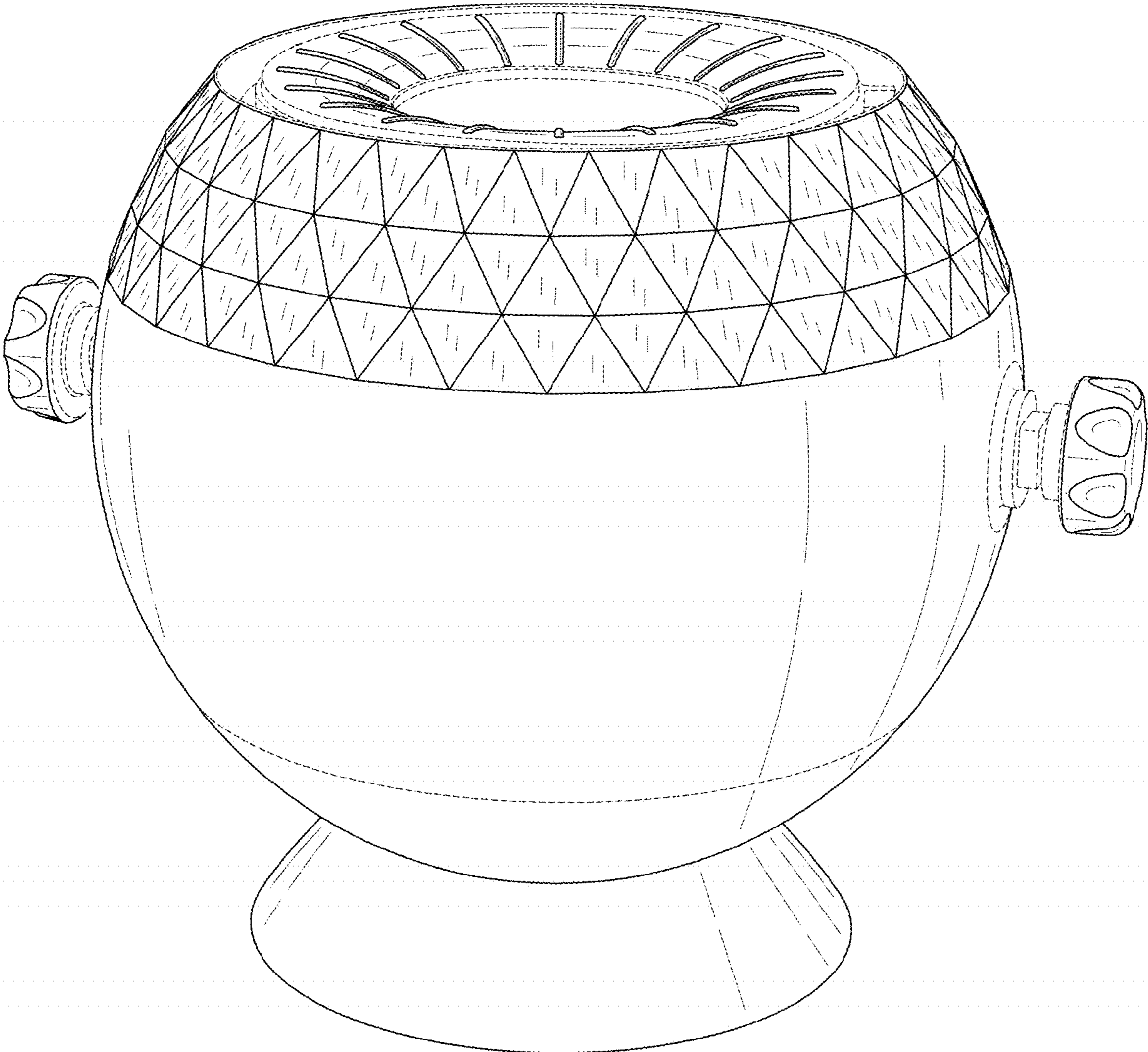


FIG. 2

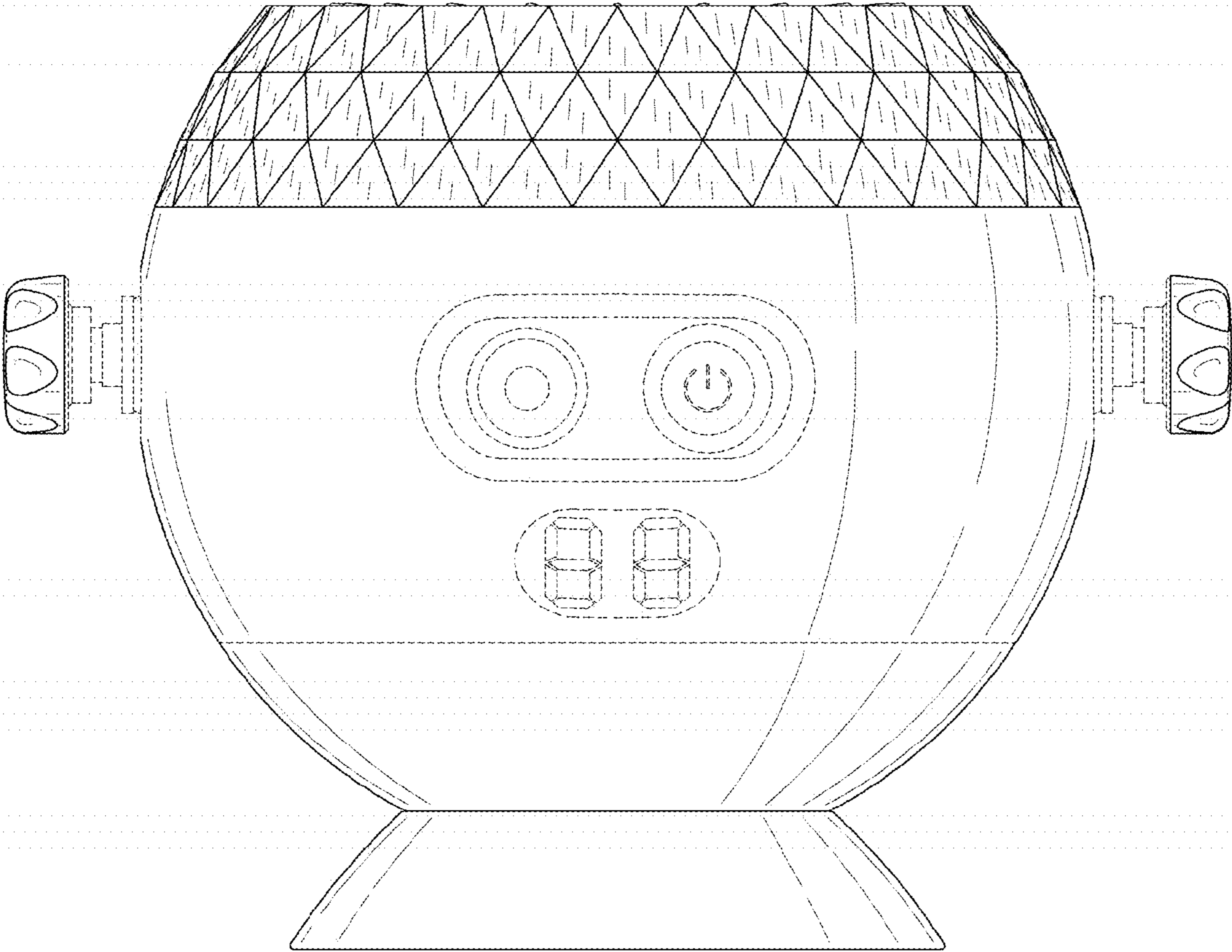


FIG. 3

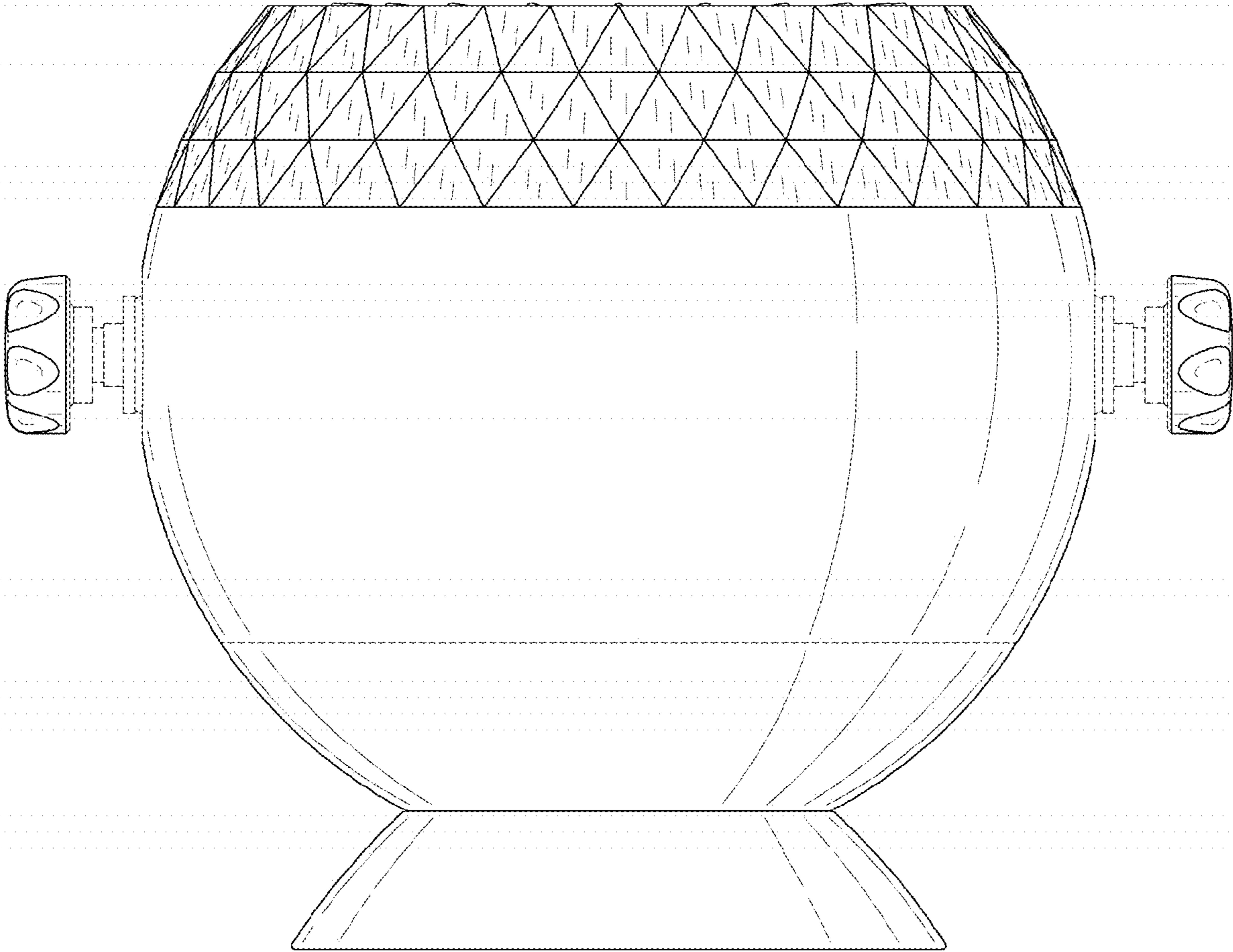


FIG. 4

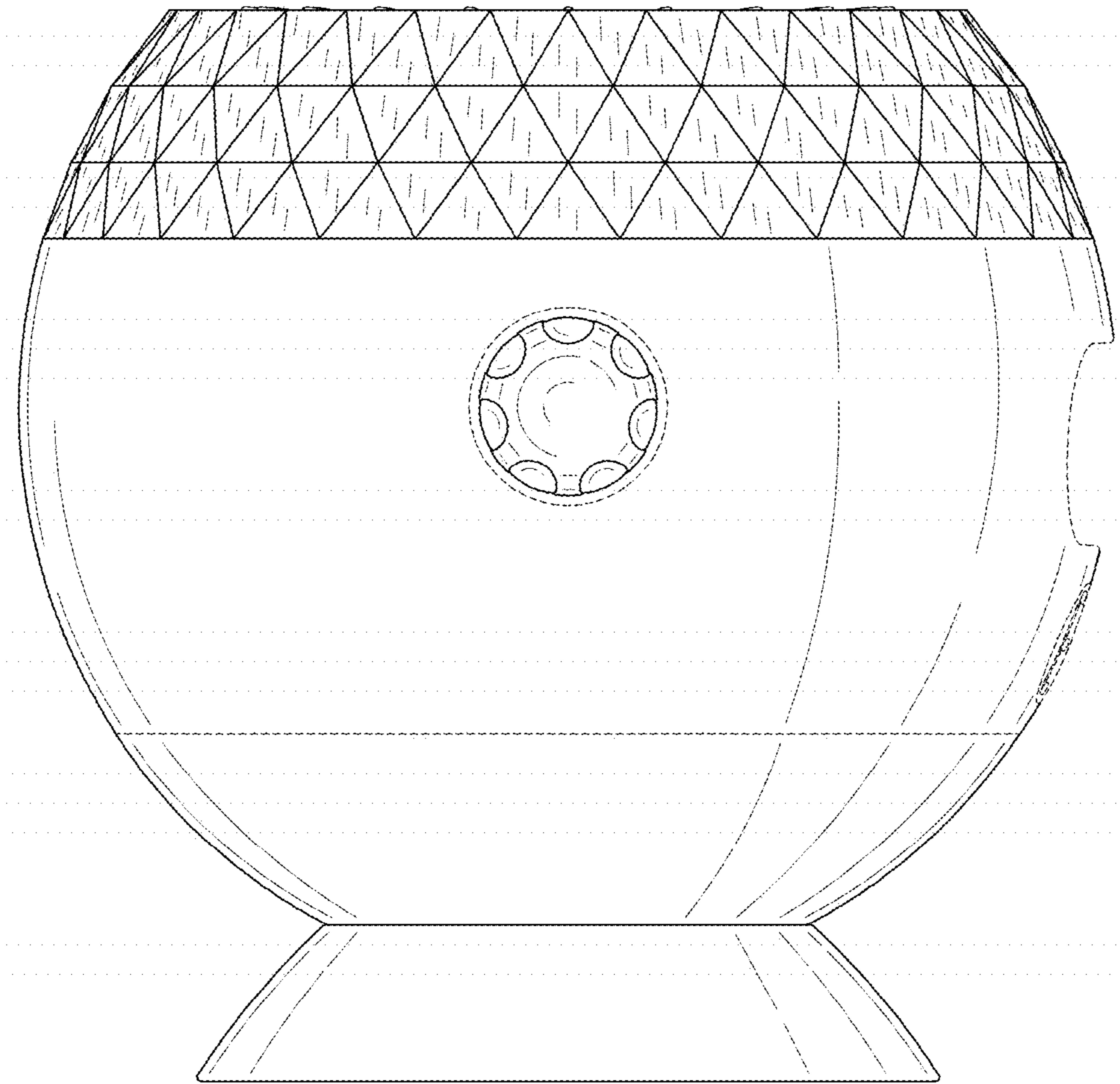


FIG. 5

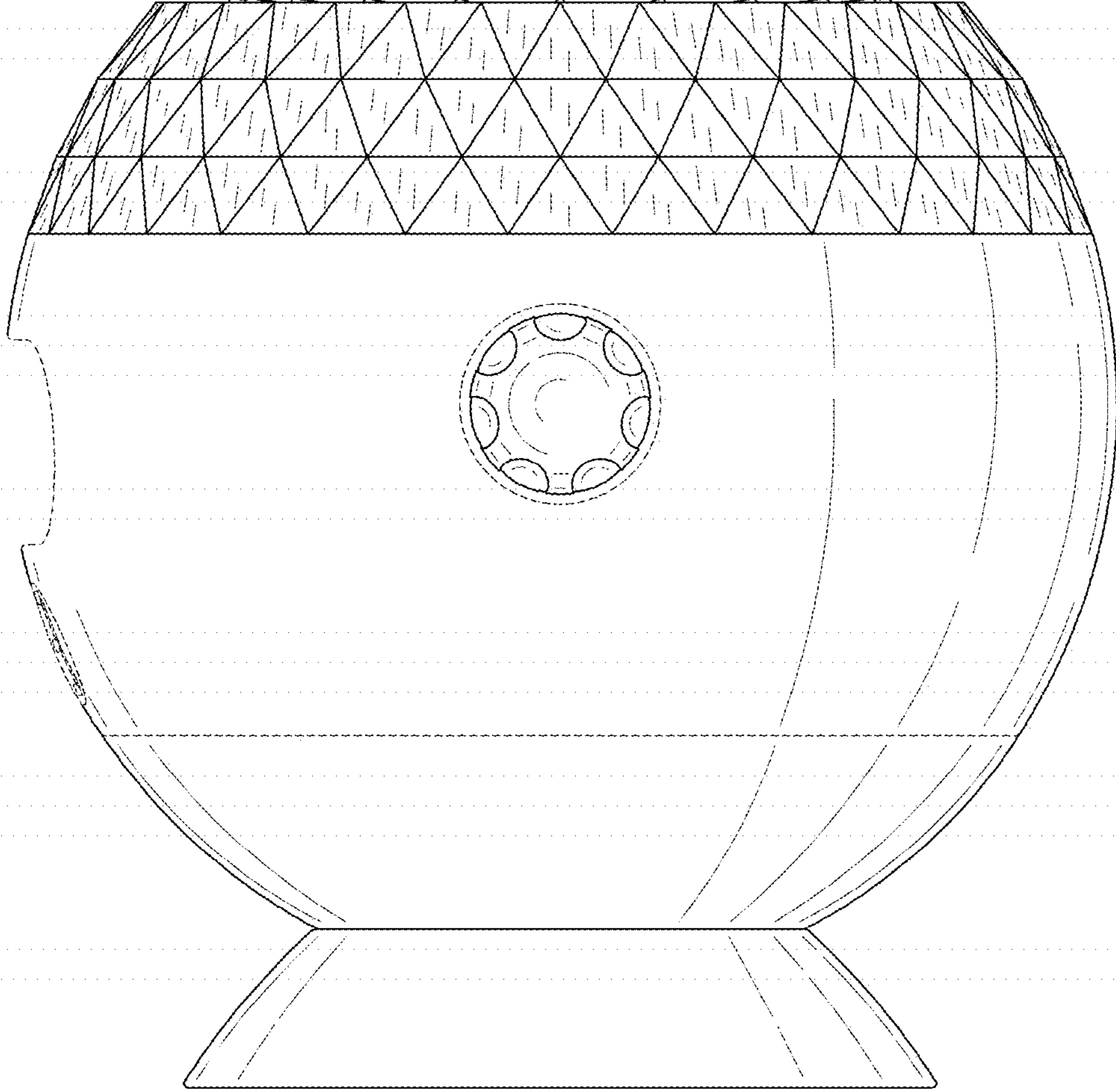


FIG. 6

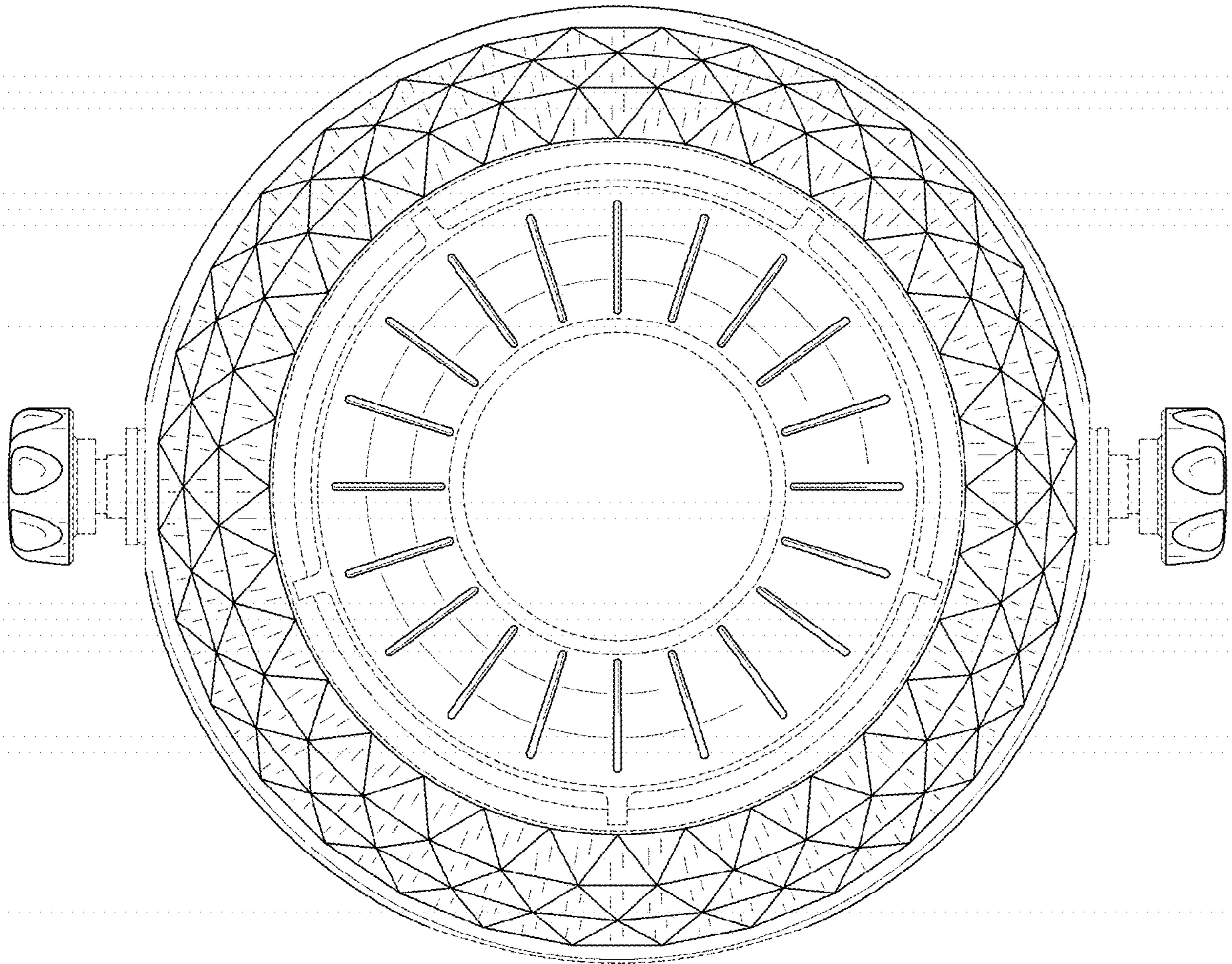


FIG. 7

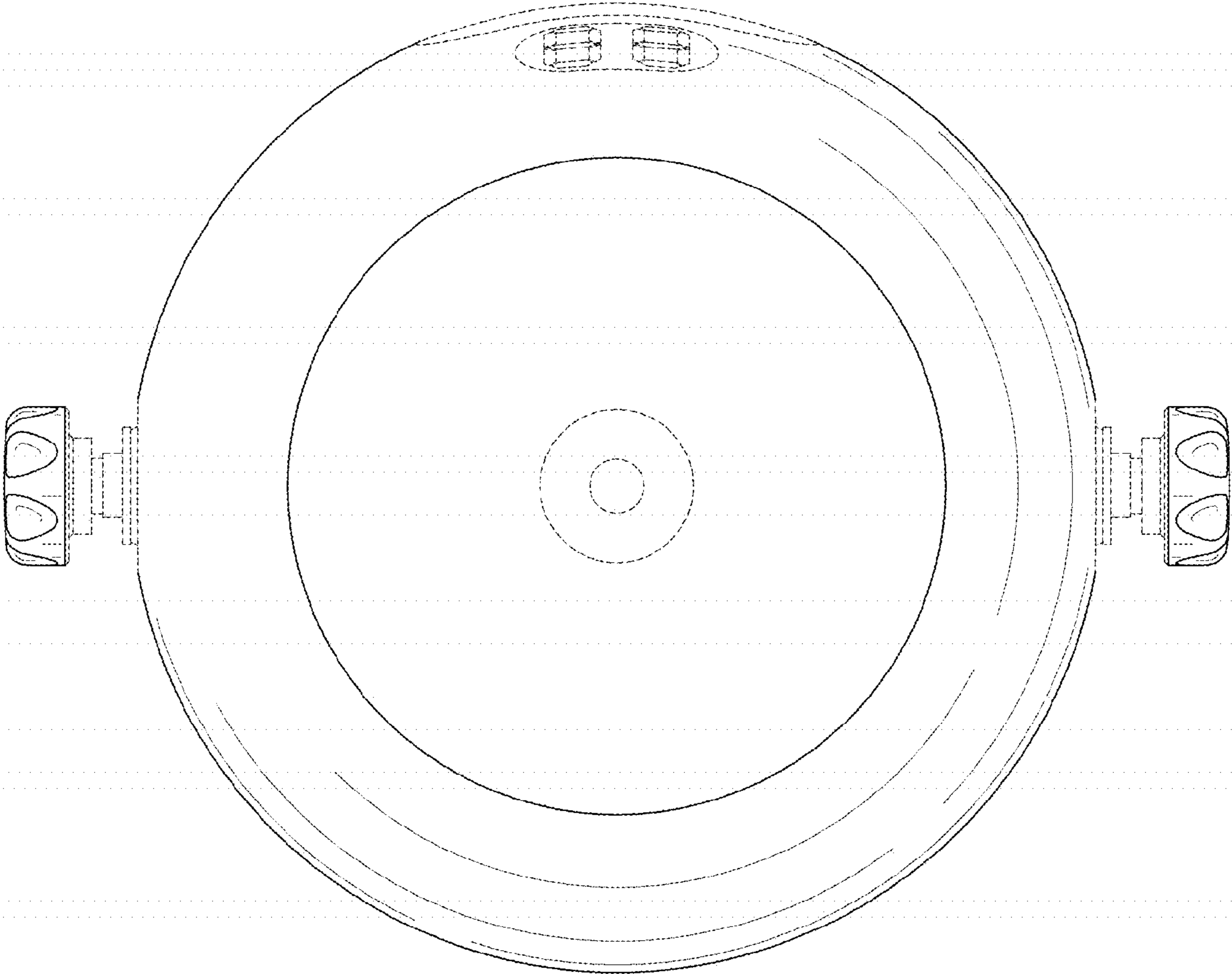


FIG. 8