



US00D943794S

(12) **United States Design Patent**
Daniel

(10) **Patent No.:** **US D943,794 S**
(45) **Date of Patent:** **** Feb. 15, 2022**

(54) **LAMP**

(71) Applicant: **Event Concept Limited**, London (GB)

(72) Inventor: **Samuel Daniel**, London (GB)

(73) Assignee: **EVENT CONCEPT LIMITED**,
London (GB)

(**) Term: **15 Years**

(21) Appl. No.: **29/689,332**

(22) Filed: **Apr. 29, 2019**

(30) **Foreign Application Priority Data**

Oct. 29, 2018 (EM) 005812435-0001
Oct. 29, 2018 (EM) 005812435-0002

(51) **LOC (13) Cl.** **26-05**

(52) **U.S. Cl.**
USPC **D26/63**

(58) **Field of Classification Search**
USPC D26/61, 62, 63
(Continued)

(56) **References Cited**

U.S. PATENT DOCUMENTS

D370,076 S * 5/1996 Lecluze D26/63
D407,518 S * 3/1999 Yeh D26/63
(Continued)

FOREIGN PATENT DOCUMENTS

EM 002474874-0001 * 6/2014
EM 003870658-0001 * 6/2017
GB 2526801 A 12/2015

OTHER PUBLICATIONS

Clay Paky Professional Lighting, "GlowUp", www.claypaky.it/en/products/glow-up, published Oct. 10, 2011, retrieved Jul. 24, 2019

via the "Internet Wayback Machine" at web.archive.org/web/20111010001309/https://www.claypaky.it/en/products/glow-up.

(Continued)

Primary Examiner — Leanne Was-Englehart

(74) *Attorney, Agent, or Firm* — Millman IP Inc.

(57) **CLAIM**

The ornamental design for a lamp, as shown and described.

DESCRIPTION

FIG. 1 is a rear elevation view of a lamp, with a head of the lamp at an upright position;

FIG. 2 is a perspective view from below, to the rear and to one side thereof;

FIG. 3 is a front elevation view thereof;

FIG. 4 is a left side elevation view thereof;

FIG. 5 is a perspective view from above, to the front and to one side thereof;

FIG. 6 is a perspective view from above, to the rear and to one side thereof;

FIG. 7 is a top plan view thereof;

FIG. 8 is a rear elevation view thereof, with the head of the lamp tilted at an angle;

FIG. 9 is a perspective view from below, to the rear and to one side of the lamp as shown in FIG. 8;

FIG. 10 is a front elevation view of the lamp as shown in FIG. 8;

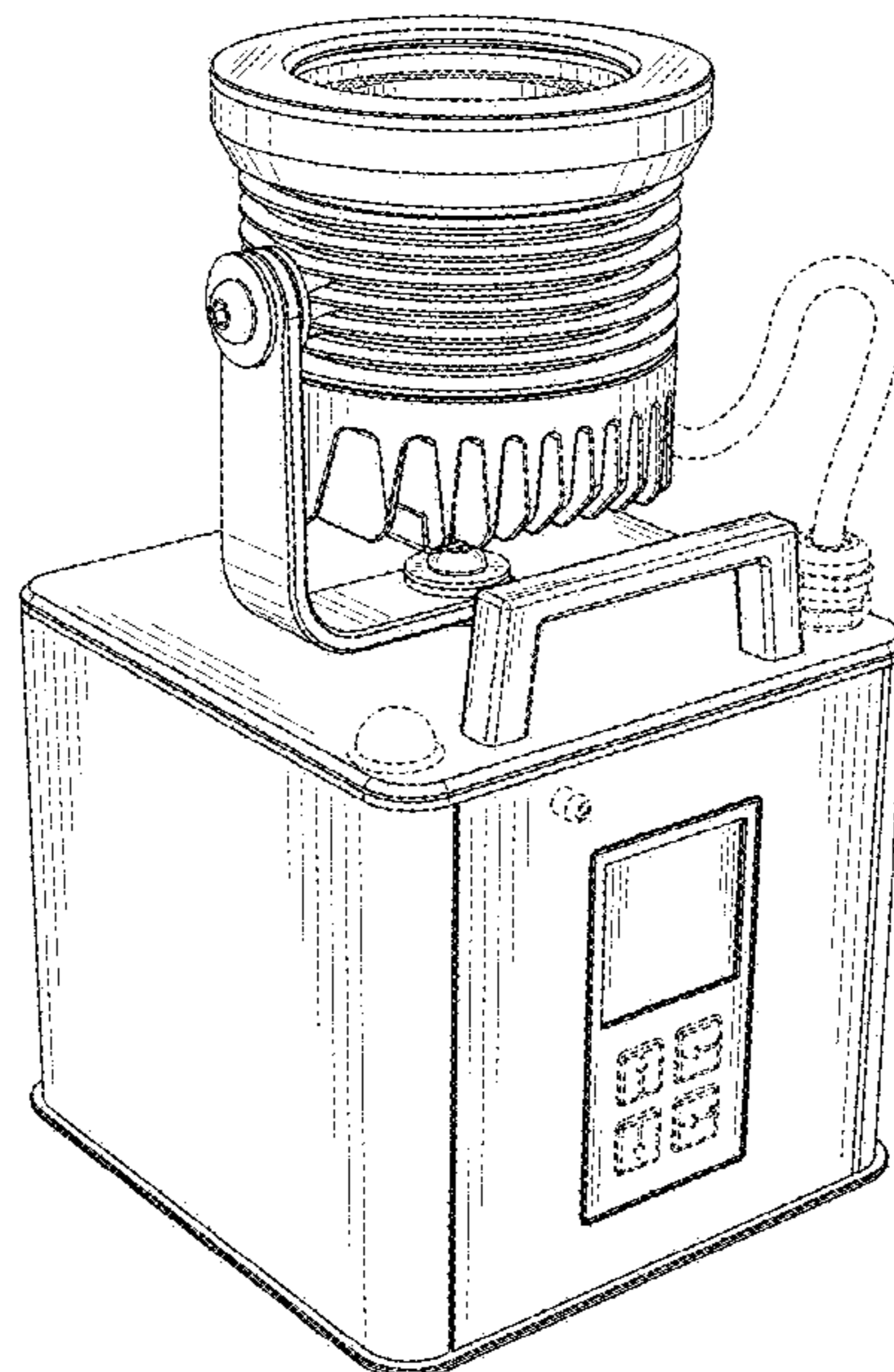
FIG. 11 is a left side elevation view of the lamp, as shown in FIG. 8;

FIG. 12 is a perspective view from above, to the front, and to one side of the lamp as shown in FIG. 8;

FIG. 13 is a perspective view from above, to the rear and to one side of the lamp, as shown in FIG. 8; and,

FIG. 14 is a top plan view of the lamp as shown in FIG. 8. In the drawings, the broken lines are for the purpose of illustrating portions of the article that form no part of the claim.

1 Claim, 14 Drawing Sheets



(58) **Field of Classification Search**

CPC F21V 21/02; F21V 14/00; F21V 14/02;
 F21V 14/06; F21V 5/007; F21V 5/04;
 F21V 21/00; F21V 21/15; F21W 2121/00;
 F21W 2131/30; F21W 2131/406

See application file for complete search history.

(56) **References Cited**

U.S. PATENT DOCUMENTS

D500,379	S *	12/2004	Kunzler	D26/63
D663,471	S *	7/2012	Bennett	D26/63
D812,280	S *	3/2018	Lechtenberg	D26/63
D819,857	S *	6/2018	Kotovskiy	D26/63
D912,291	S *	3/2021	Subramanian	D26/63
10,969,087	B1 *	4/2021	Jiang	H02M 3/1582
D930,214	S *	9/2021	Kallestrup	D26/63
2012/0091917	A1 *	4/2012	Vinther	H05B 45/00 315/312
2014/0301071	A1 *	10/2014	Jorgensen	F21V 21/30 362/231
2020/0217473	A1 *	7/2020	Mitterlehner	F21S 41/36
2021/0066866	A1 *	3/2021	Brewster	H01R 13/24
2021/0095834	A1 *	4/2021	Jiang	F16M 11/18

OTHER PUBLICATIONS

LSI Online, "Event Concept launches wireless Concept 6 SD battery uplight", www.lsionline.com/news/event-concept-launches-

wireless-concept-6-sd-battery-uplight-u3lafz, PLASA Media Ltd, published Jan. 16, 2015, retrieved Jul. 26, 2019.

Chauvet Professional, "Well Fit", www.chauvetprofessional.eu/products/well-fit/, published Mar. 13, 2016, retrieved Jul. 24, 2019 via the "Internet Wayback Machine" at web.archive.org/web/20160313025037/https://www.chauvetprofessional.eu/products/well-fit/.

Robe Lighting, "LiteWare™ HO2", www.robe.cz/liteware-ho2/, published Sep. 24, 2016, retrieved Jul. 24, 2019 via the "Internet Wayback Machine" at web.archive.org/web/20160924104800/https://www.robe.cz/liteware-ho2/.

Core Lighting, "Uplight: ColourPoint Battery Powered LED Wireless", www.corelighting.co.uk/product-item/uplighter-wireless-battery-led-rgbw-colourpoint/, published Dec. 12, 2016, retrieved Jul. 24, 2019 via the "Internet Wayback Machine" at web.archive.org/web/20161212044352/http://www.corelighting.co.uk/product-item/uplighter-wireless-battery-led-rgbw-colourpoint/.

A.D.J. Supply Europe B.V., "Element QAIP", www.americandj.eu/en/element-qaip.html, published Jul. 17, 2017, retrieved Aug. 9, 2019 via the "Internet Wayback Machine" at web.archive.org/web/20170717164338/https://www.americandj.eu/en/element-qaip.html.

Prolight Concepts Group Limited, "Rapid QB1 RGBA", prolight.co.uk/product/rapid-qb1-rgba, published Dec. 22, 2017, retrieved Aug. 9, 2019 via the "Internet Wayback Machine" at web.archive.org/web/20171222132411/https://prolight.co.uk/product/rapid-qb1-rgba.

* cited by examiner

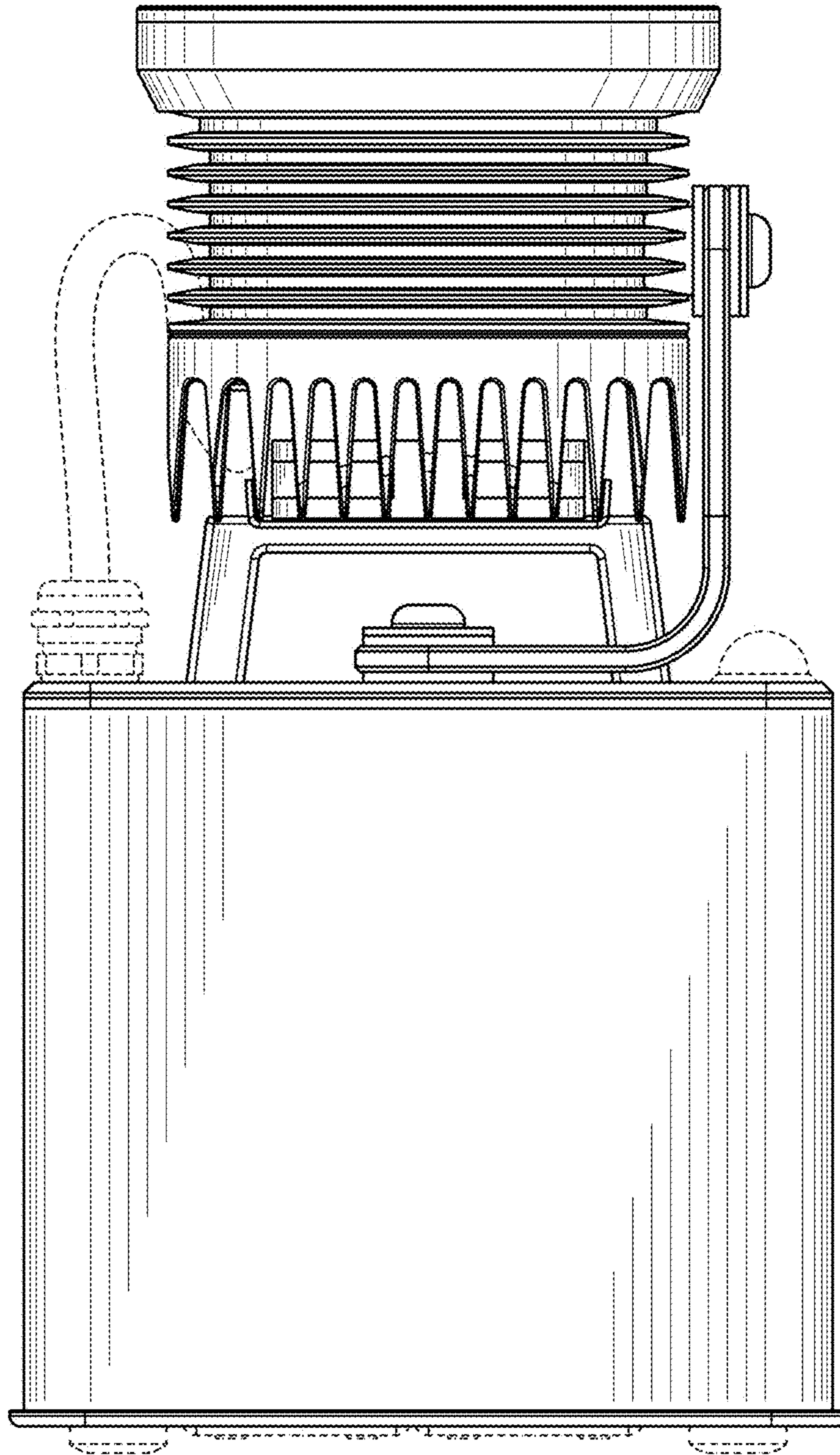


FIG. 1

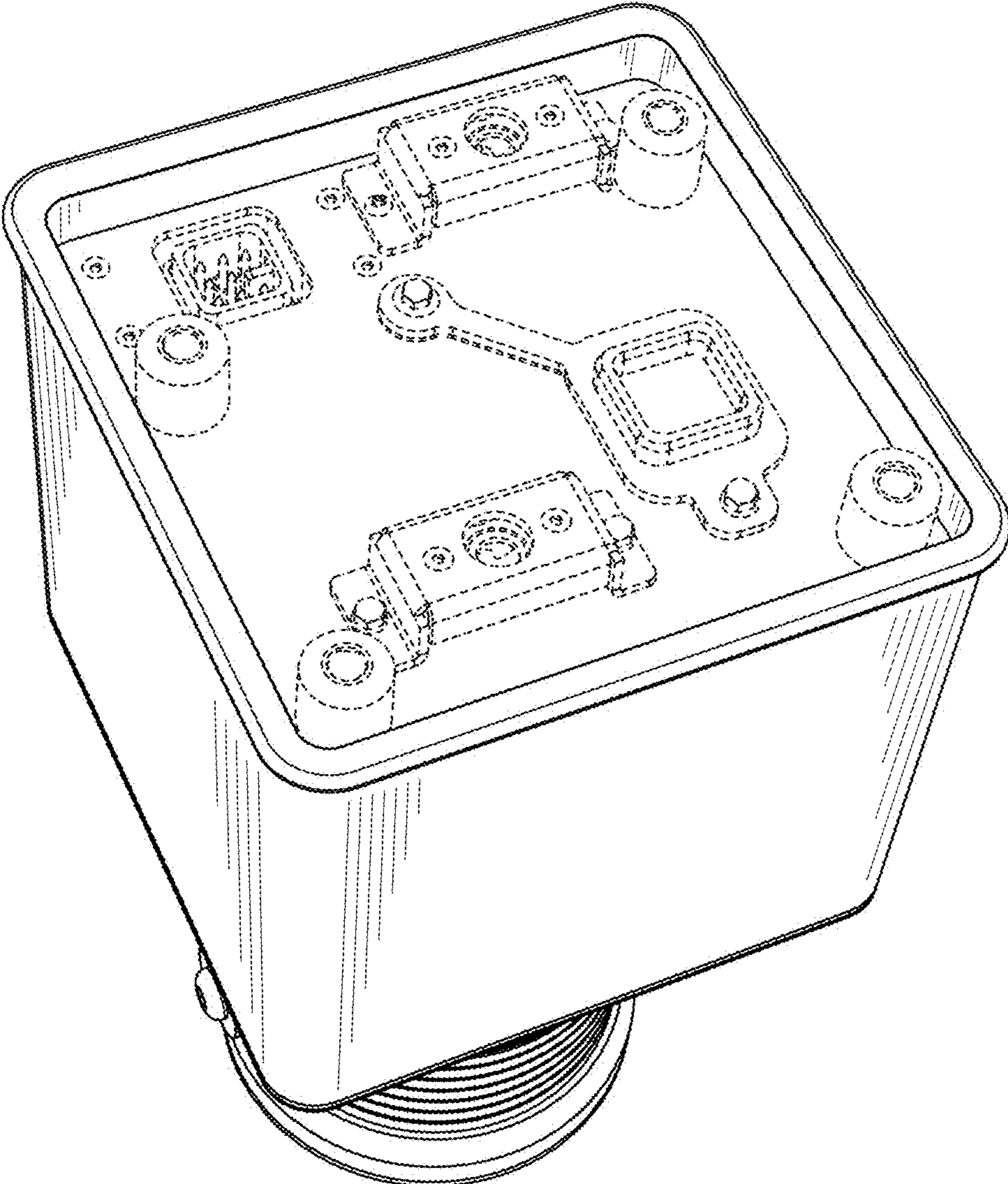


FIG. 2

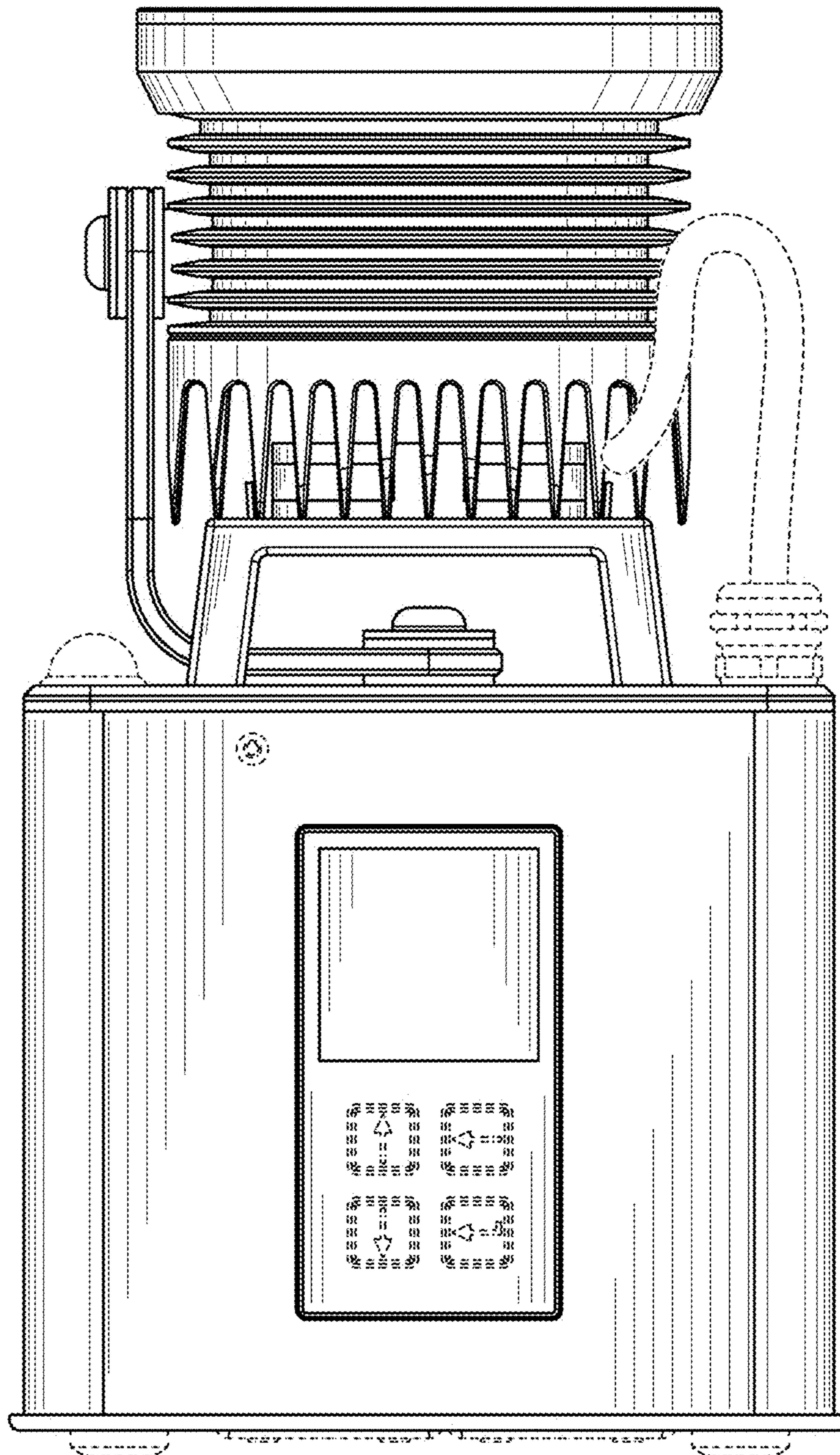


FIG. 3

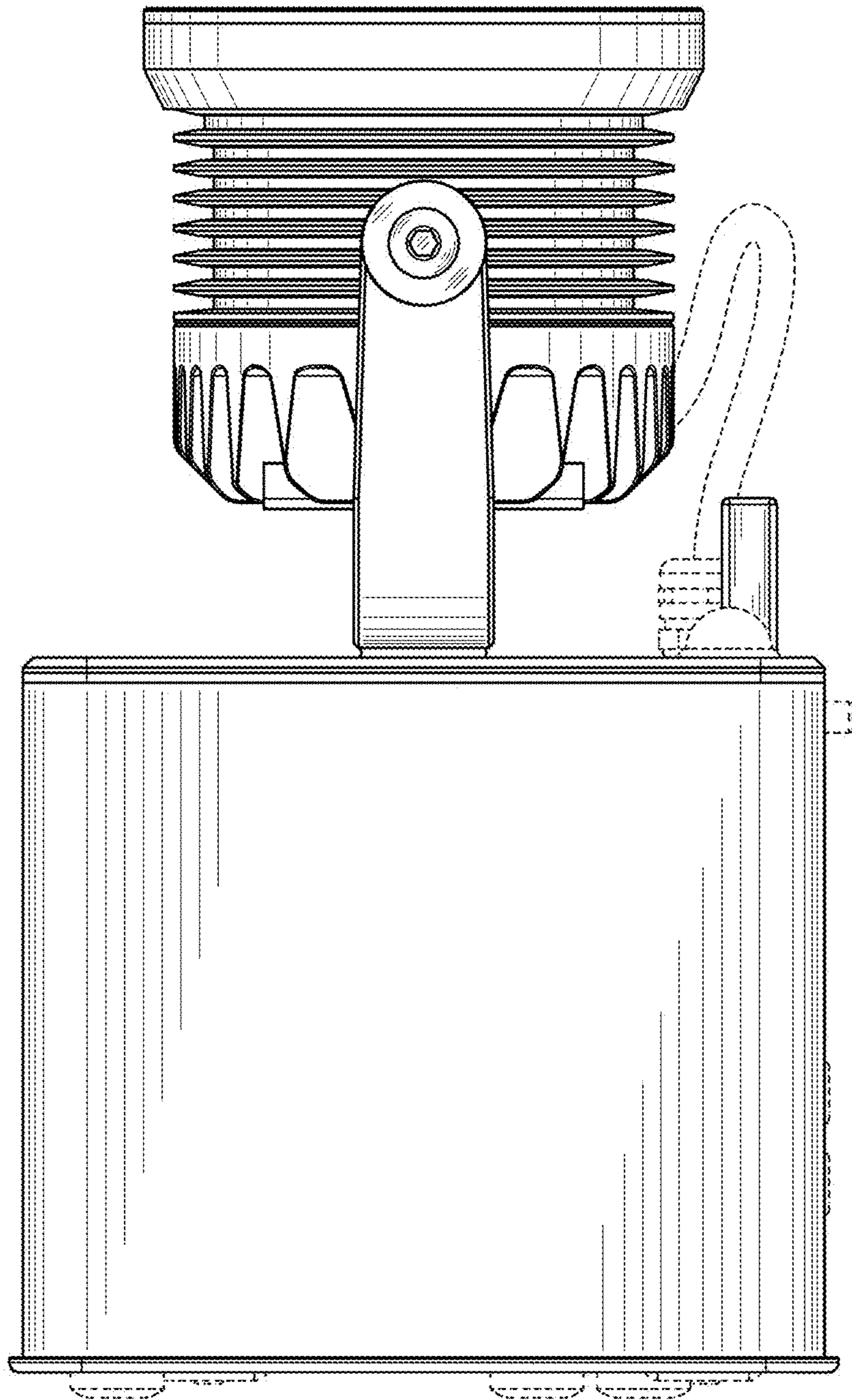


FIG. 4

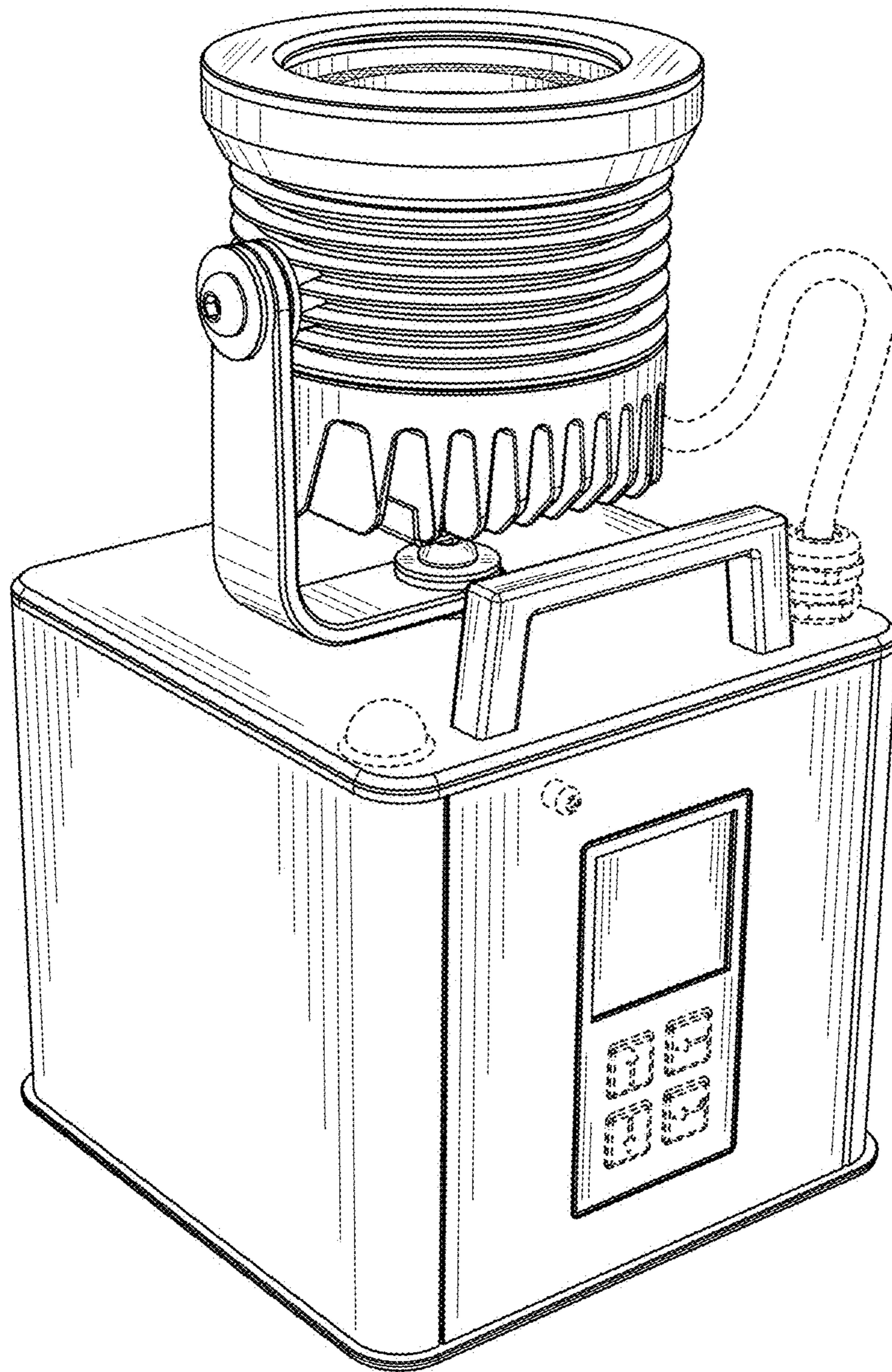


FIG. 5

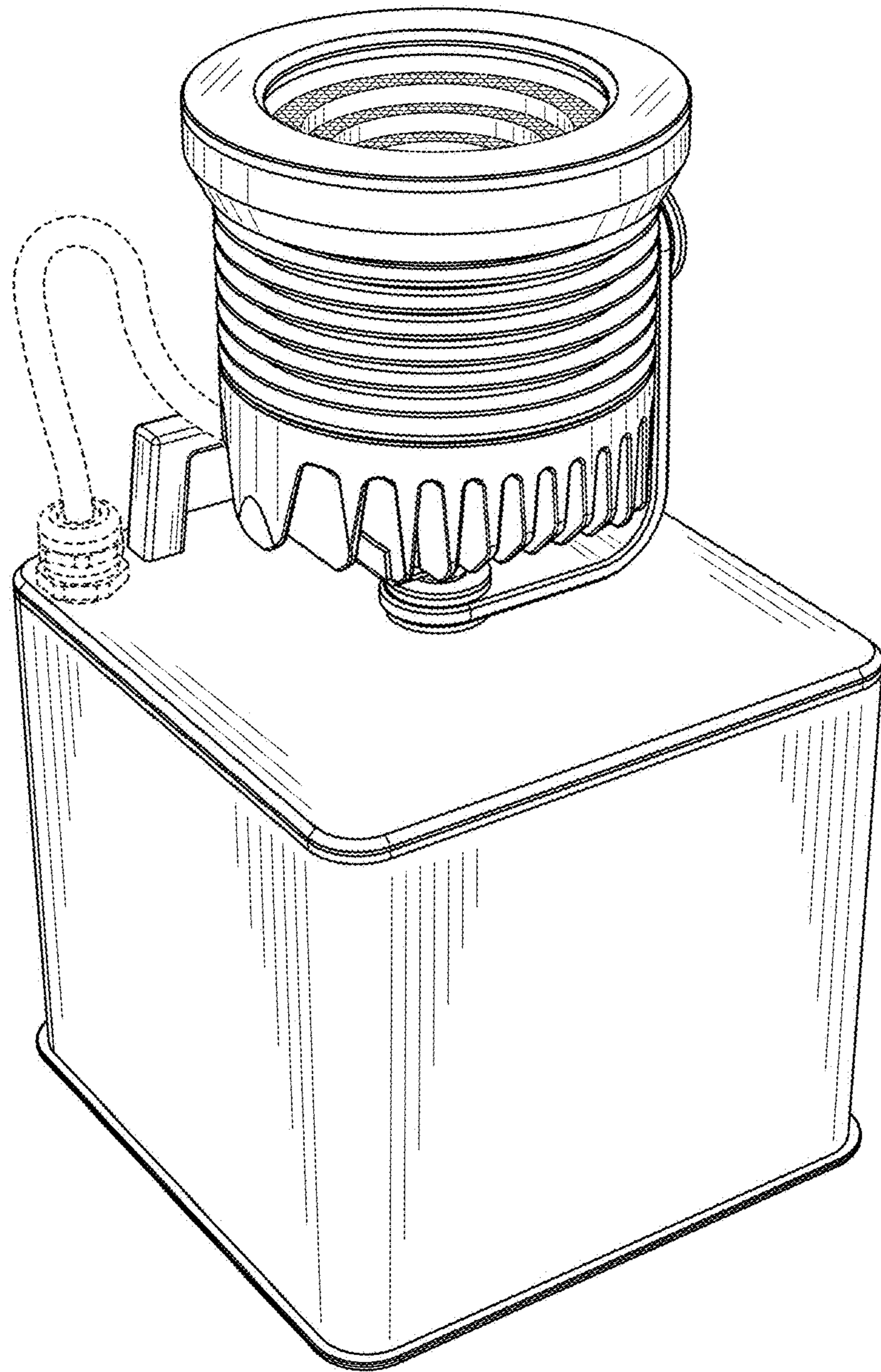


FIG. 6

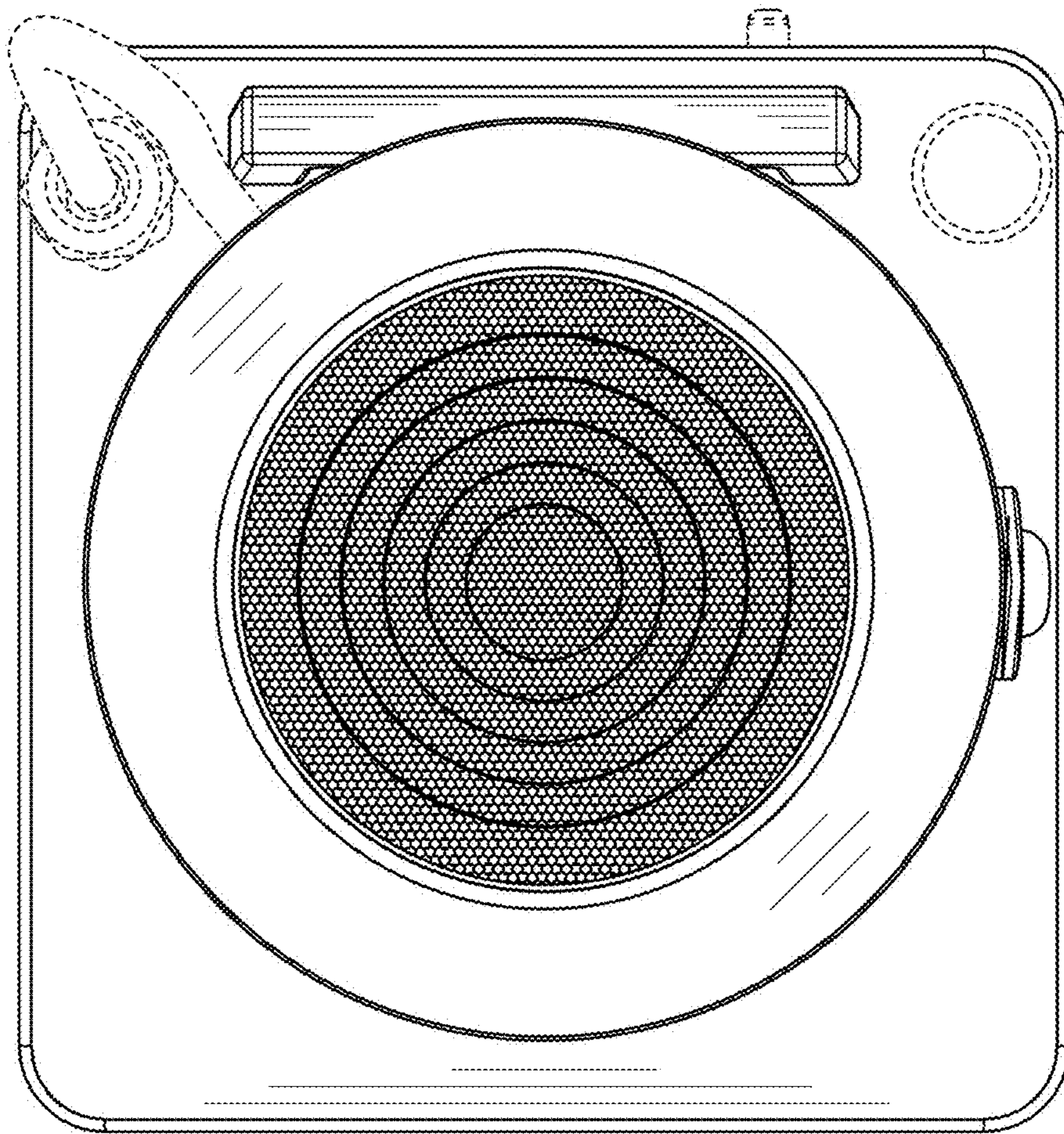


FIG. 7

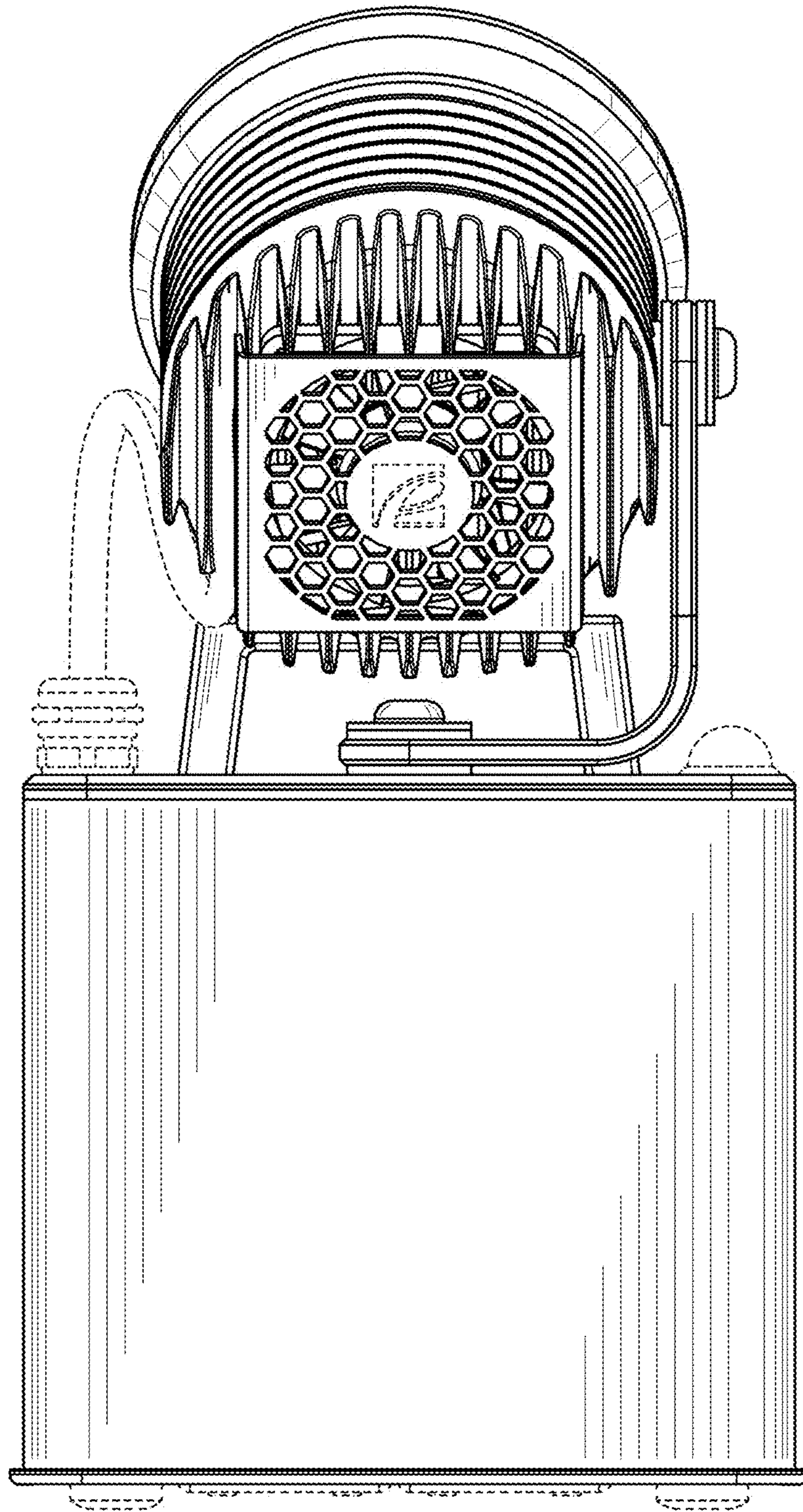


FIG. 8

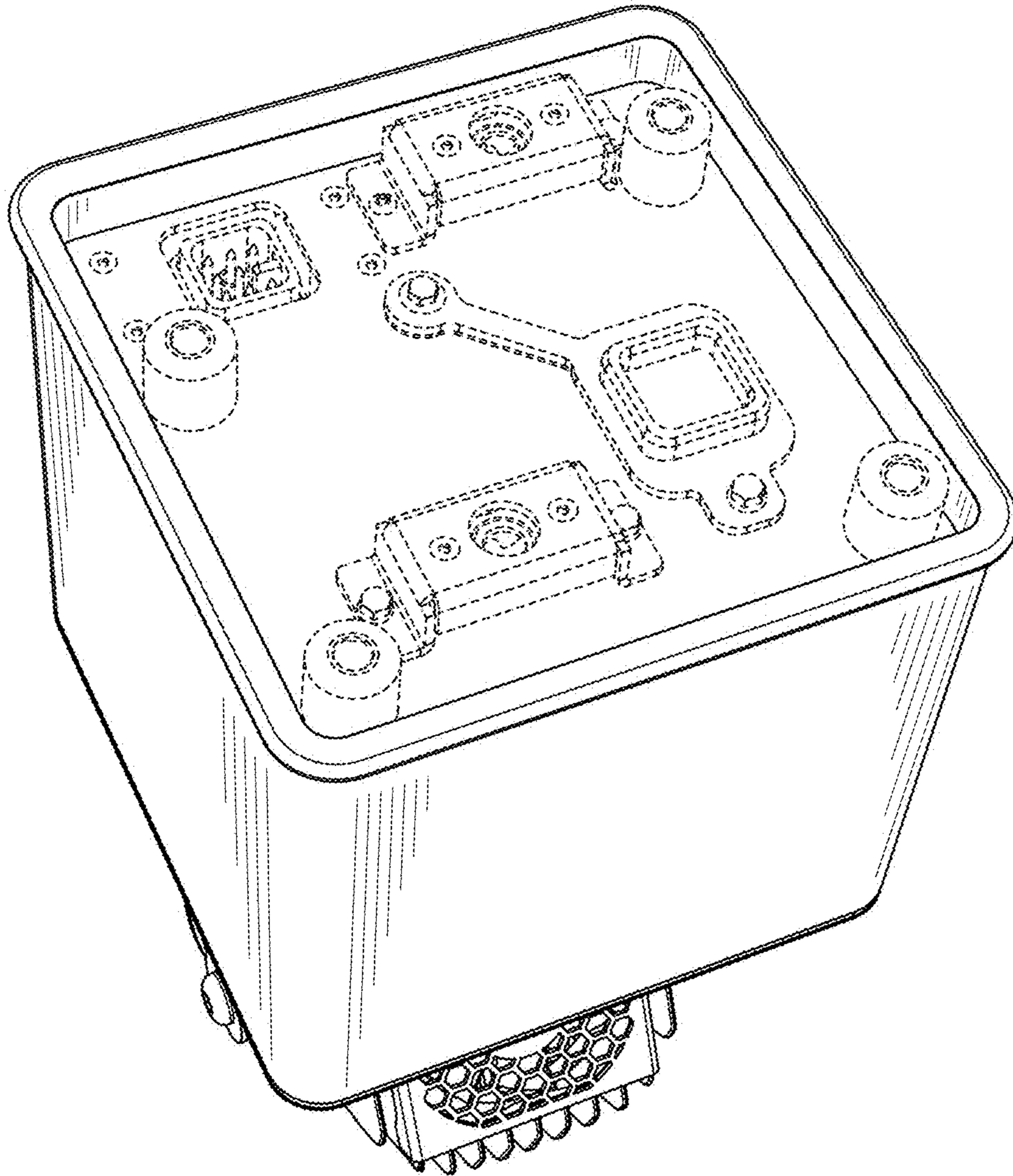


FIG. 9

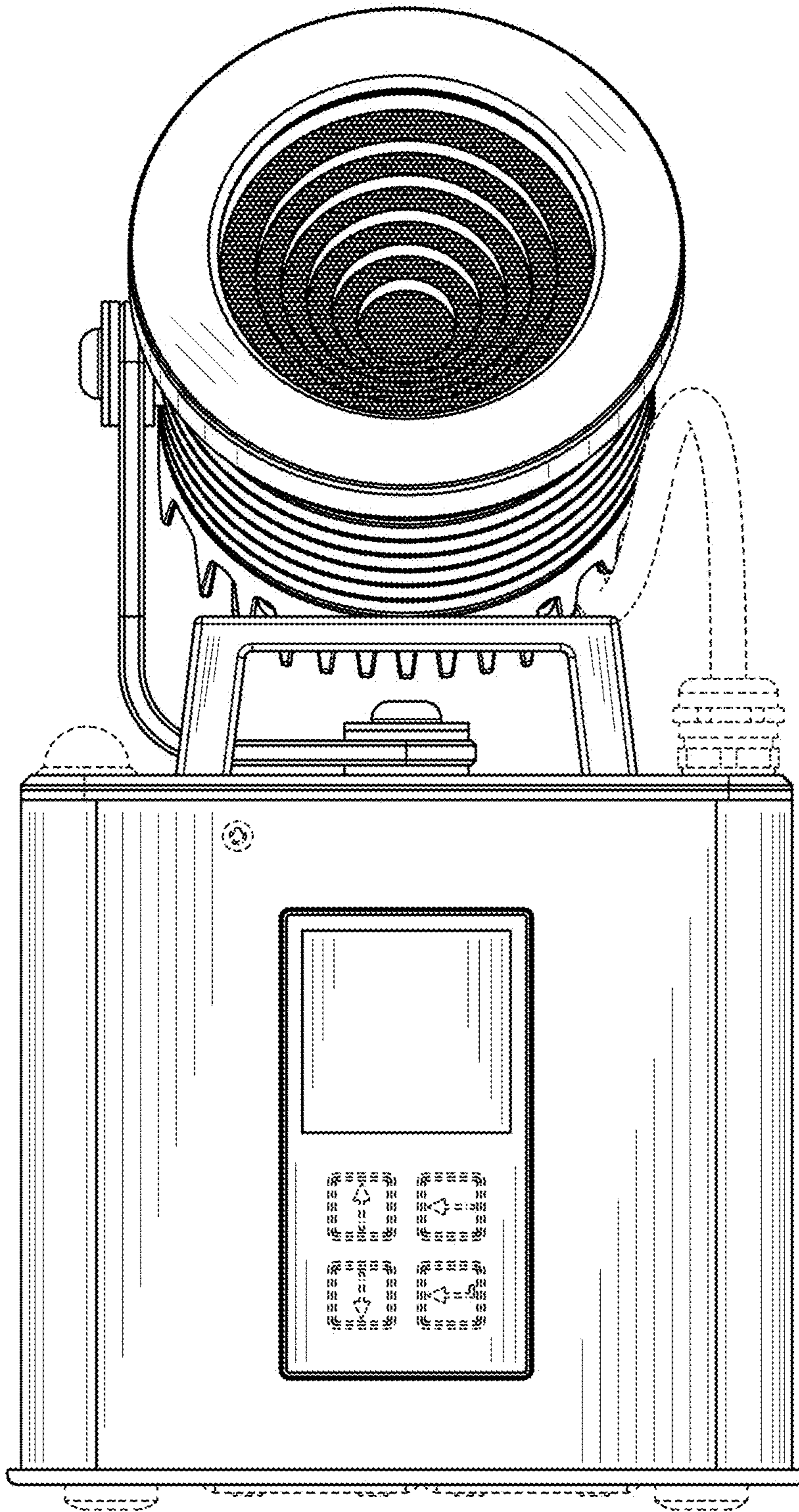


FIG. 10

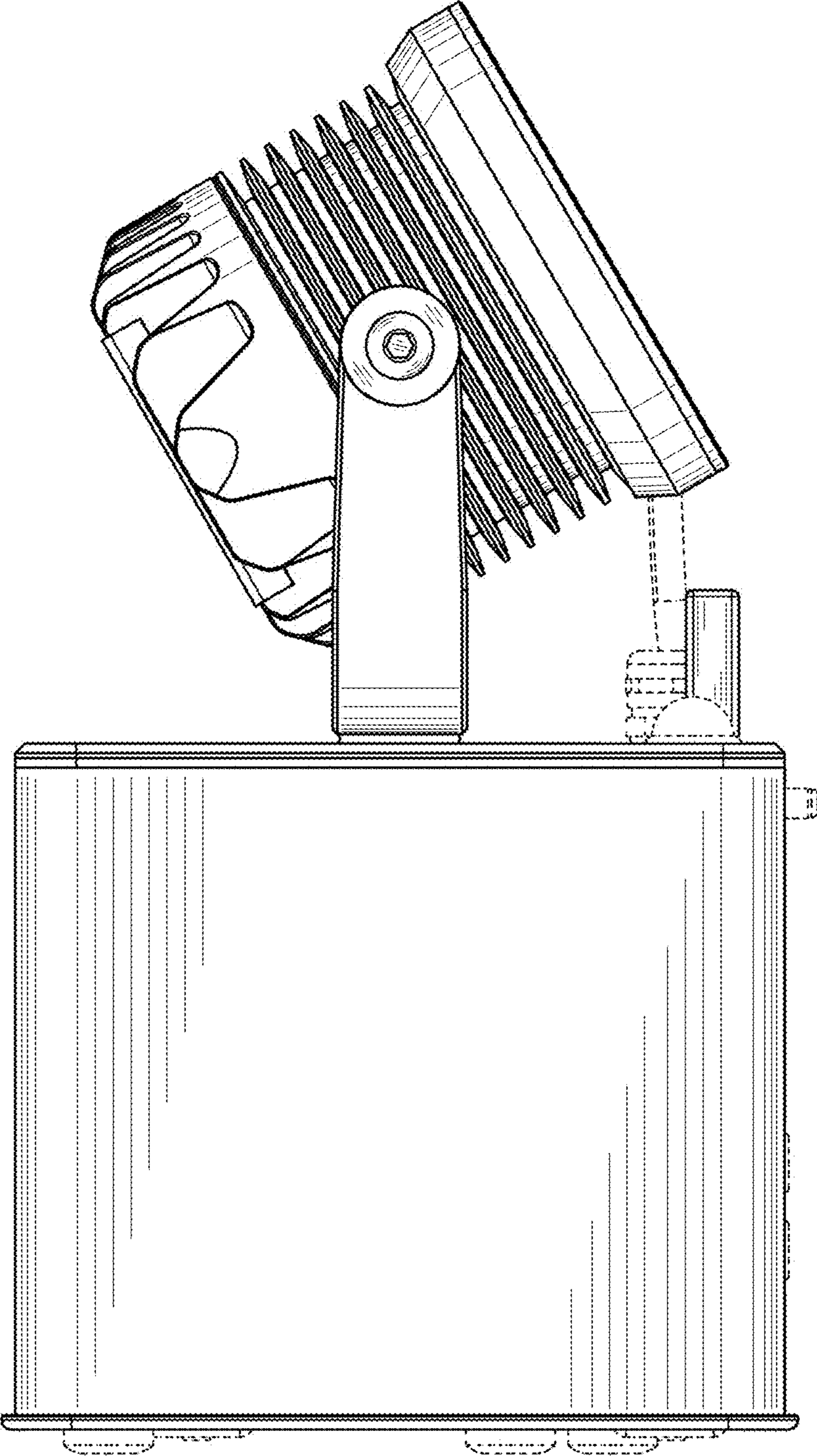


FIG. 11

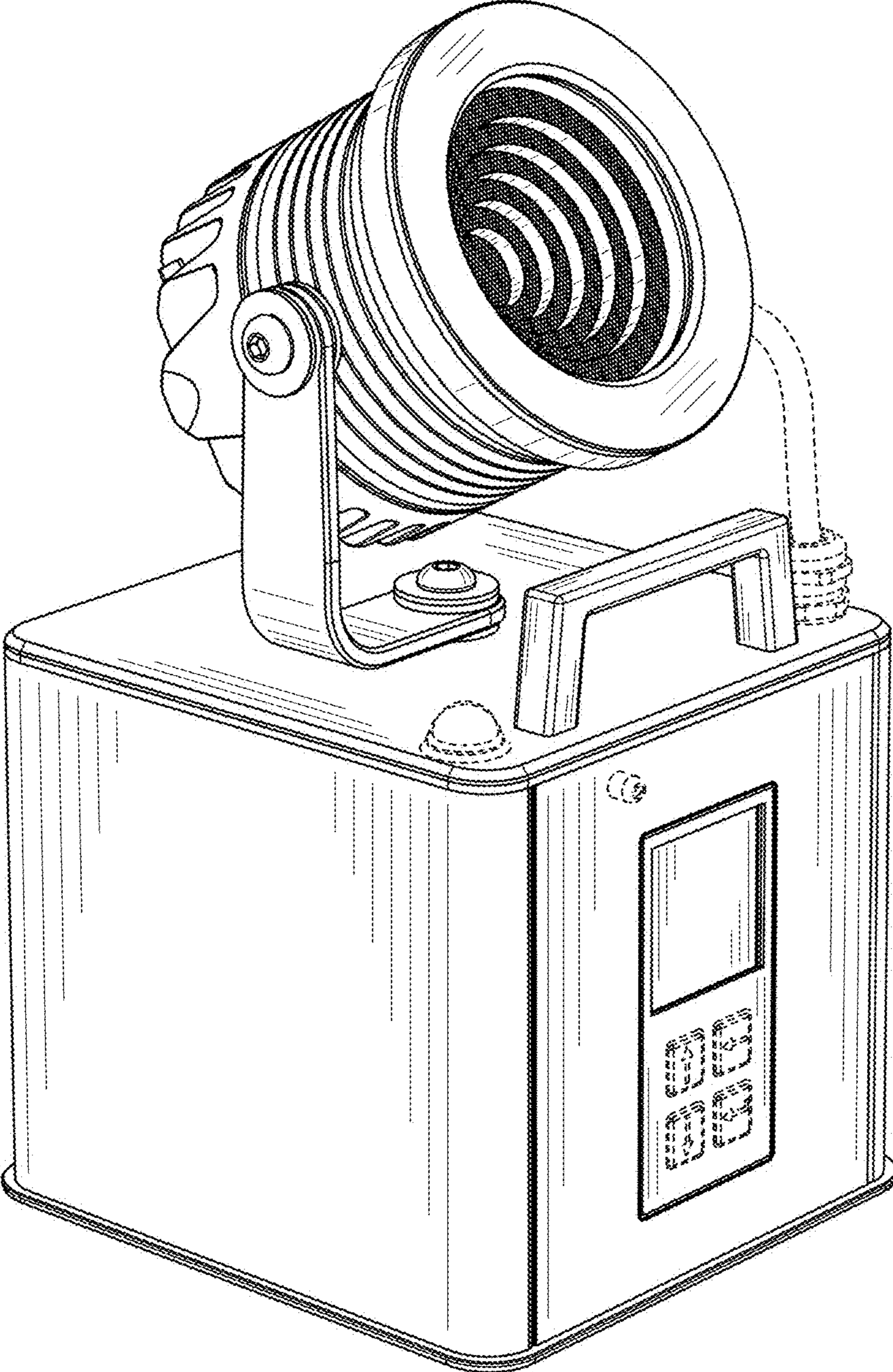


FIG. 12

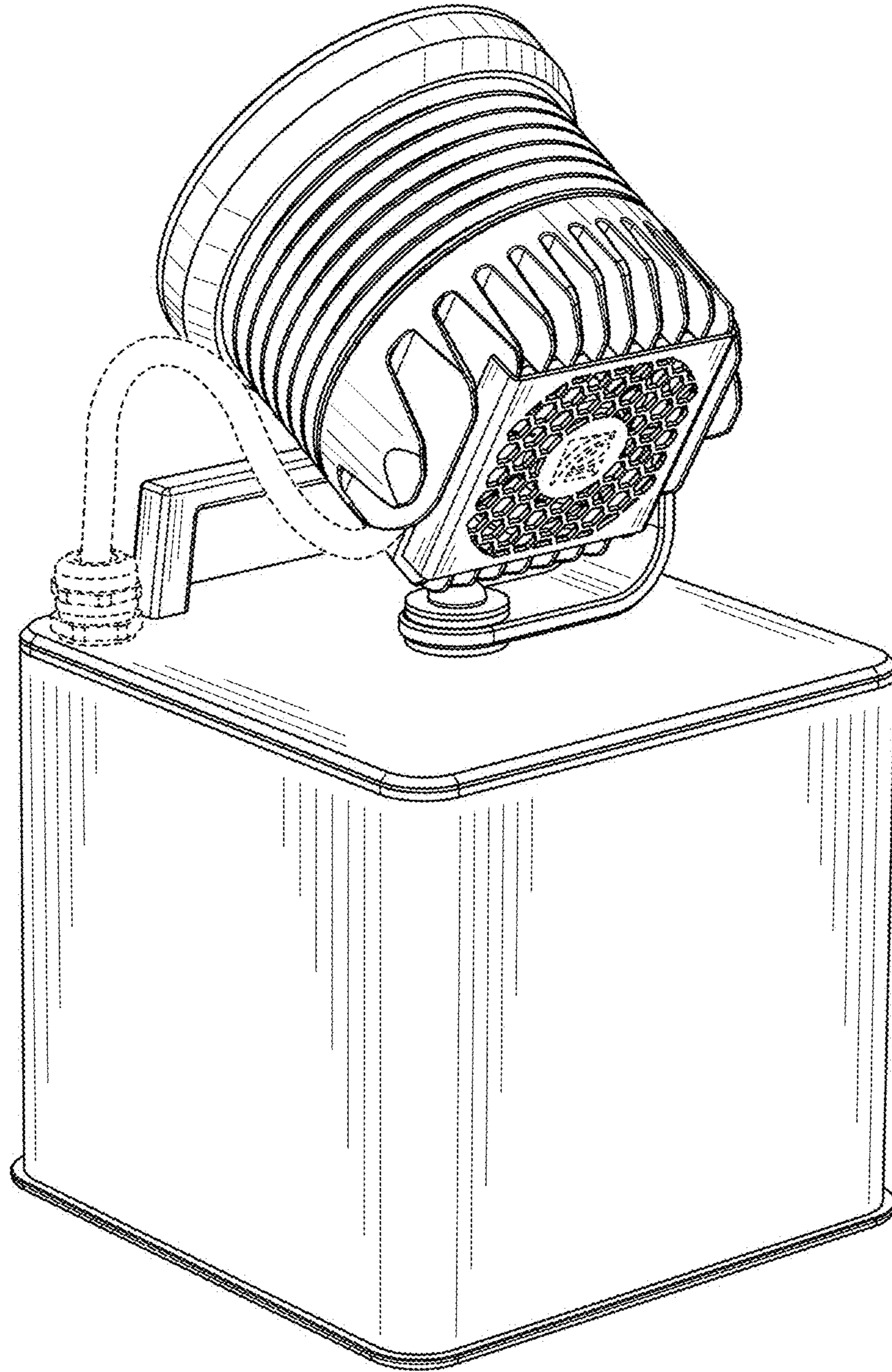


FIG. 13

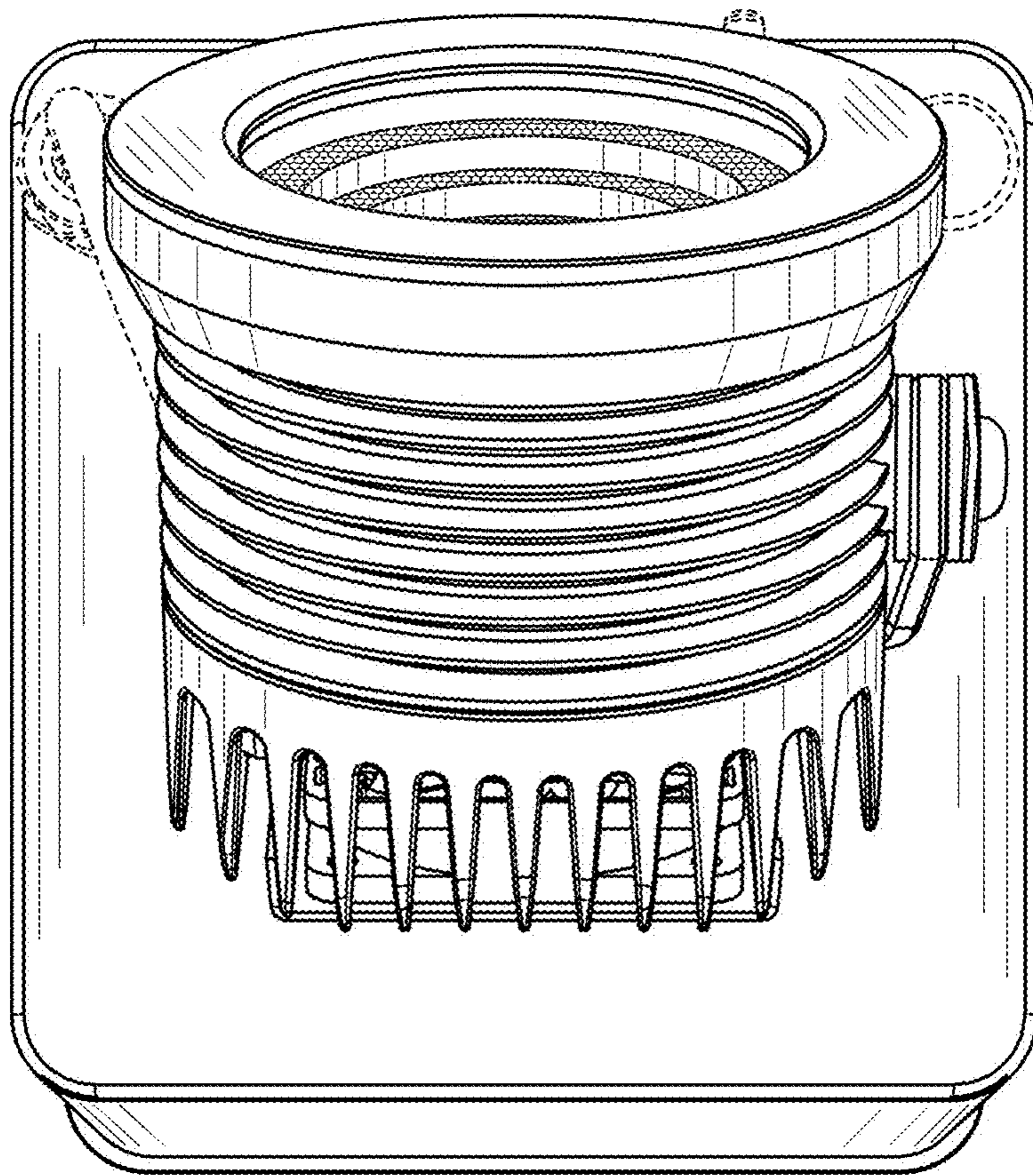


FIG. 14