



US00D943791S

(12) **United States Design Patent**
Wang

(10) **Patent No.:** **US D943,791 S**

(45) **Date of Patent:** **** Feb. 15, 2022**

(54) **HAND LAMP**

(71) Applicant: **Cheng-Yu Wang**, Zhushan Township,
Nantou County (TW)

(72) Inventor: **Cheng-Yu Wang**, Zhushan Township,
Nantou County (TW)

(**) Term: **15 Years**

(21) Appl. No.: **29/732,479**

(22) Filed: **Apr. 24, 2020**

(51) **LOC (13) Cl.** **26-02**

(52) **U.S. Cl.**
USPC **D26/37**

(58) **Field of Classification Search**
USPC D26/1, 24, 37-52, 113, 118-120;
D14/172, 194, 204, 215-216
CPC F21Y 2115/10; F21Y 2105/10; F21Y
2101/00; F21Y 2103/00; F21Y 2107/20;
F21Y 2107/90; F21Y 2113/00; F21L
4/00; F21L 4/005; F21L 13/08; F21L
14/026; F21L 15/04; F21L 4/02; F21L
4/04; F21L 4/06; F21V 21/0885; F21V
23/0414; F21V 21/406; F21V 33/0084;
F21V 15/01; F21V 19/001; F21V 21/08;
F21V 21/145; F21V 23/0421; F21V
23/0428; F21V 31/005; F21V 23/0442;
F21V 19/0025; F21V 19/04; F21V
21/0816; F21V 21/30; F21V 23/003;
F21V 23/0407; F21V 23/0485; F21V
33/0048; F21V 33/0052; F21V 33/006;
F21V 37/0095; F21V 9/45

See application file for complete search history.

(56) **References Cited**

U.S. PATENT DOCUMENTS

D565,212 S * 3/2008 Butler D26/37
D633,231 S * 2/2011 Morrison D26/24
D829,690 S * 10/2018 Chen D14/216
D831,268 S * 10/2018 Johnson D26/142
D878,639 S * 3/2020 Luo D26/24

D879,341 S * 3/2020 Kassin D26/37
D886,773 S * 6/2020 Zheng D14/204
D895,175 S * 9/2020 Li D26/24
D905,895 S * 12/2020 Johnson D26/89
D908,932 S * 1/2021 Richardson D26/24
D911,560 S * 2/2021 Hu D26/24
D915,639 S * 4/2021 Zhao D26/1
D920,543 S * 5/2021 Wei D26/24
D920,566 S * 5/2021 Wei D26/110
D931,834 S * 9/2021 Han D14/216
D935,641 S * 11/2021 Zhou D24/231

(Continued)

OTHER PUBLICATIONS

Touch LED Light. By Acourcou. Dated Dec. 4, 2019. Found online [Oct. 12, 2021]. https://www.amazon.com/Rechargeable-Magnetism-Battery-Powered-Bedroom/dp/B0829YGQHC/ref=sr_1_35?dchild=1&keywords=round+tap+light&qid=1634064721&sr=8-35 (Year: 2019).*

Primary Examiner — Marissa J Cash
Assistant Examiner — William B Melliar
(74) *Attorney, Agent, or Firm* — Egbert, McDaniel & Swartz, PLLC

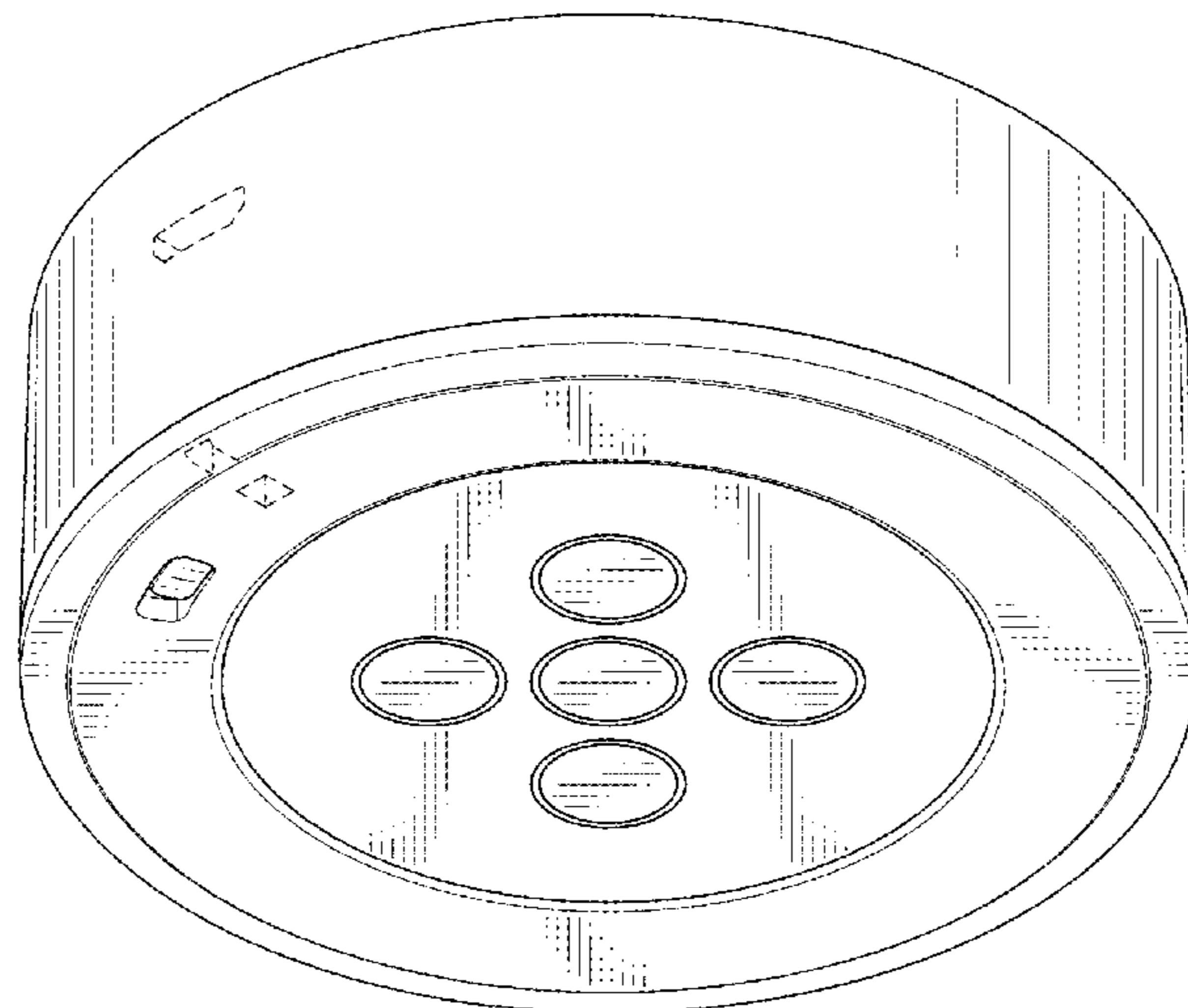
(57) **CLAIM**

The ornamental design for a hand lamp, as shown and described.

DESCRIPTION

FIG. 1 is an upper perspective view of a hand lamp showing my new design;
FIG. 2 is a front view thereof;
FIG. 3 is a rear view thereof;
FIG. 4 is a side view thereof;
FIG. 5 is an opposite side view thereof;
FIG. 6 is a bottom plan view thereof;
FIG. 7 is a top plan view thereof; and,
FIG. 8 is a lower perspective view of thereof.
The broken lines depict unclaimed portions of the hand lamp that form no part of the claimed design.

1 Claim, 8 Drawing Sheets



(56)

References Cited

U.S. PATENT DOCUMENTS

D935,646 S * 11/2021 Huang D26/24
2013/0308306 A1 * 11/2013 Hootman F21V 21/0816
362/184

* cited by examiner

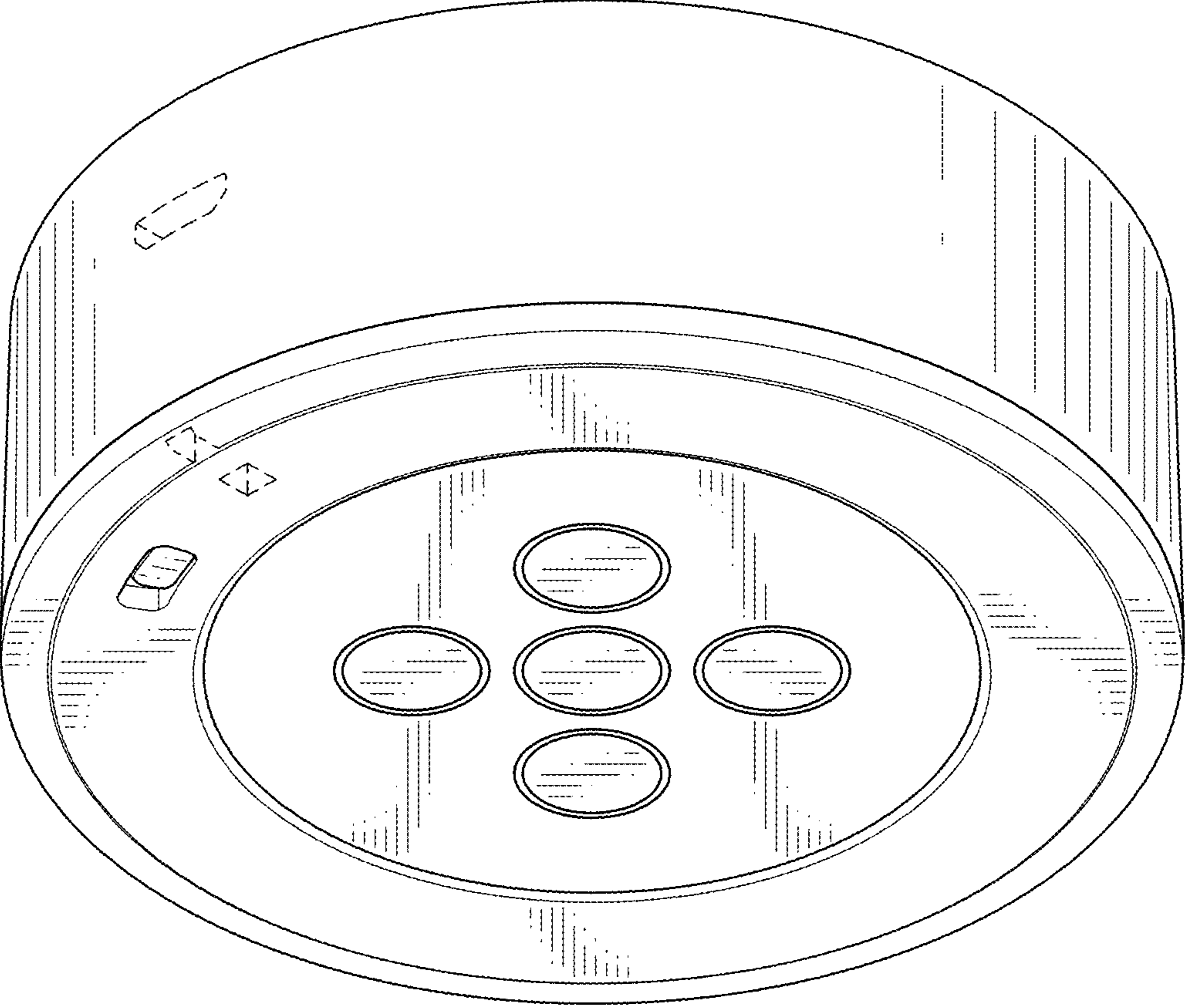


FIG. 1

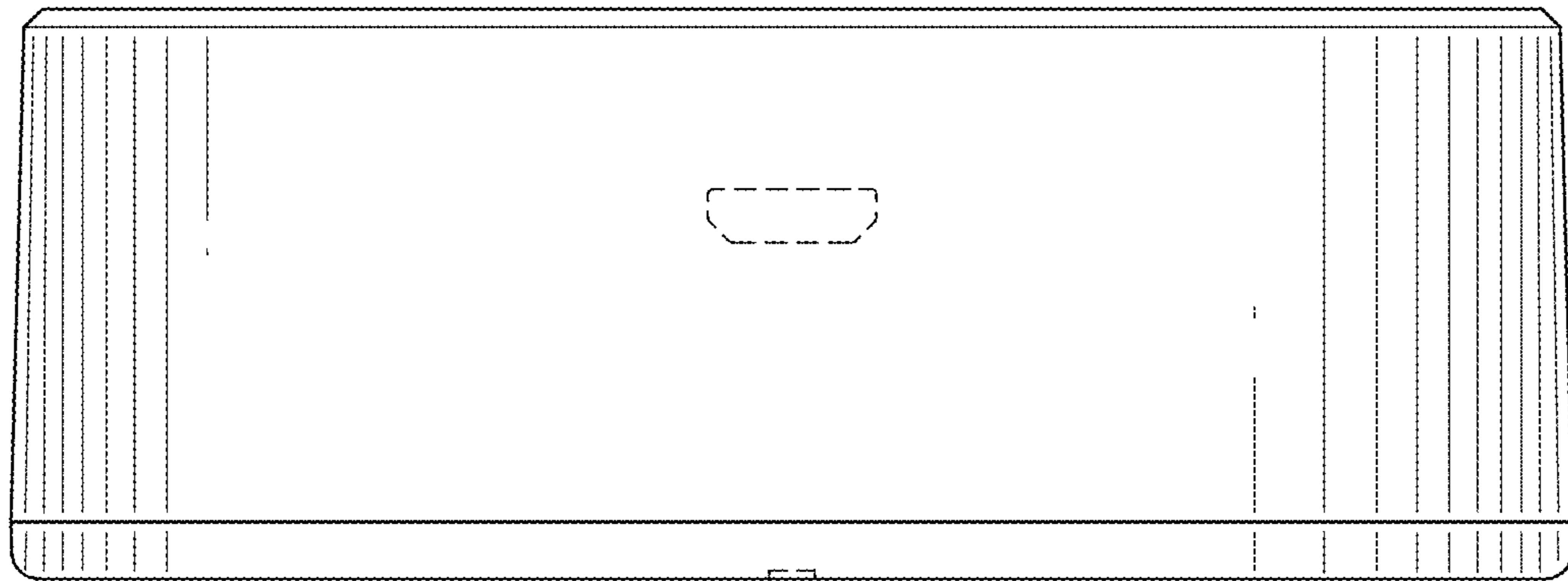


FIG. 2

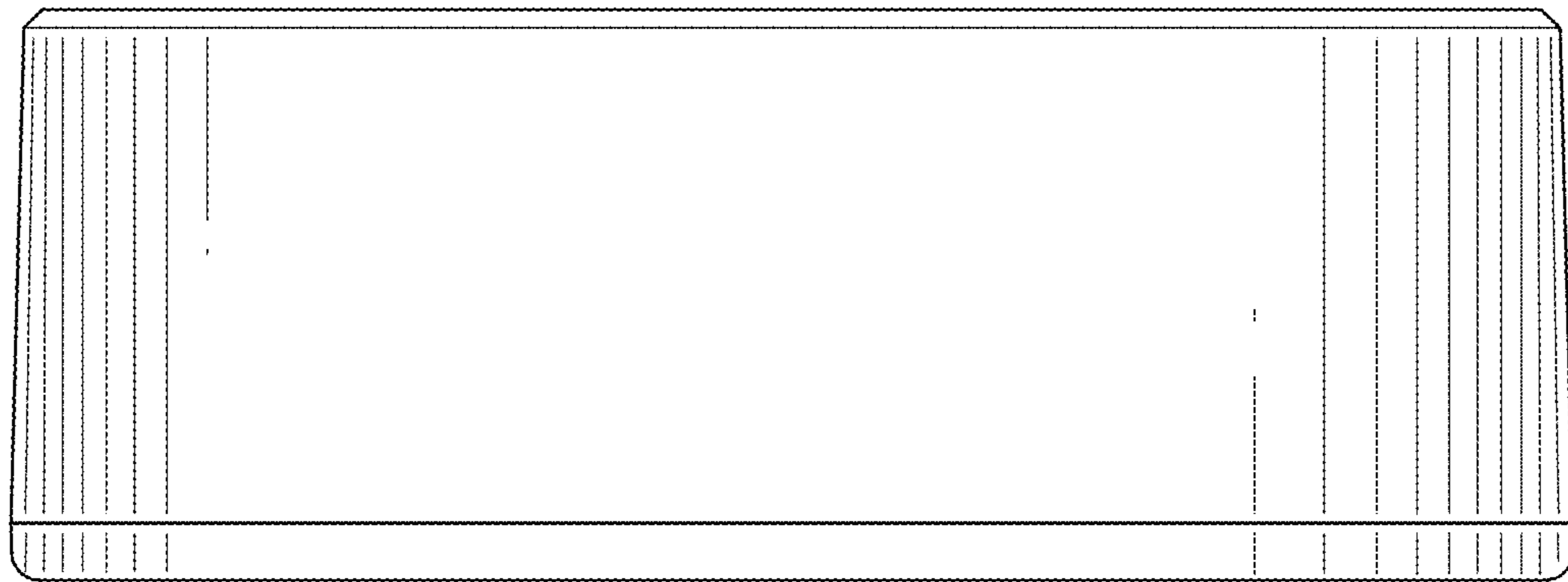


FIG. 3

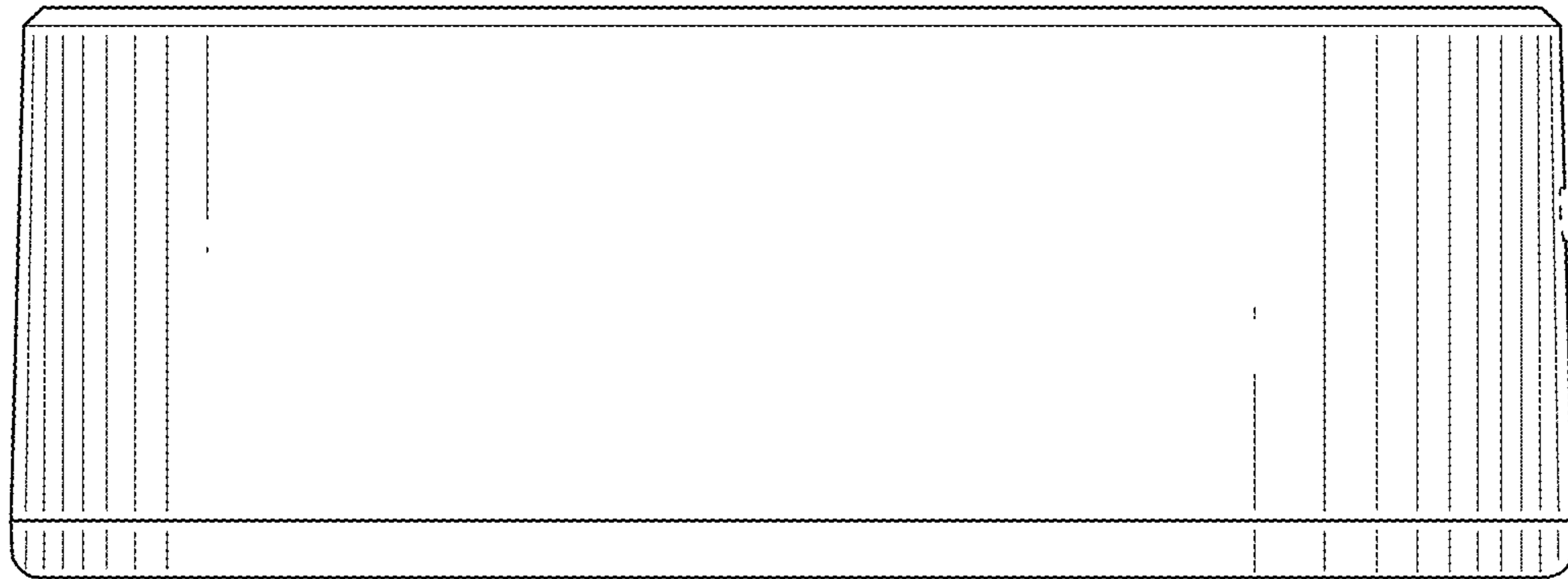


FIG. 4

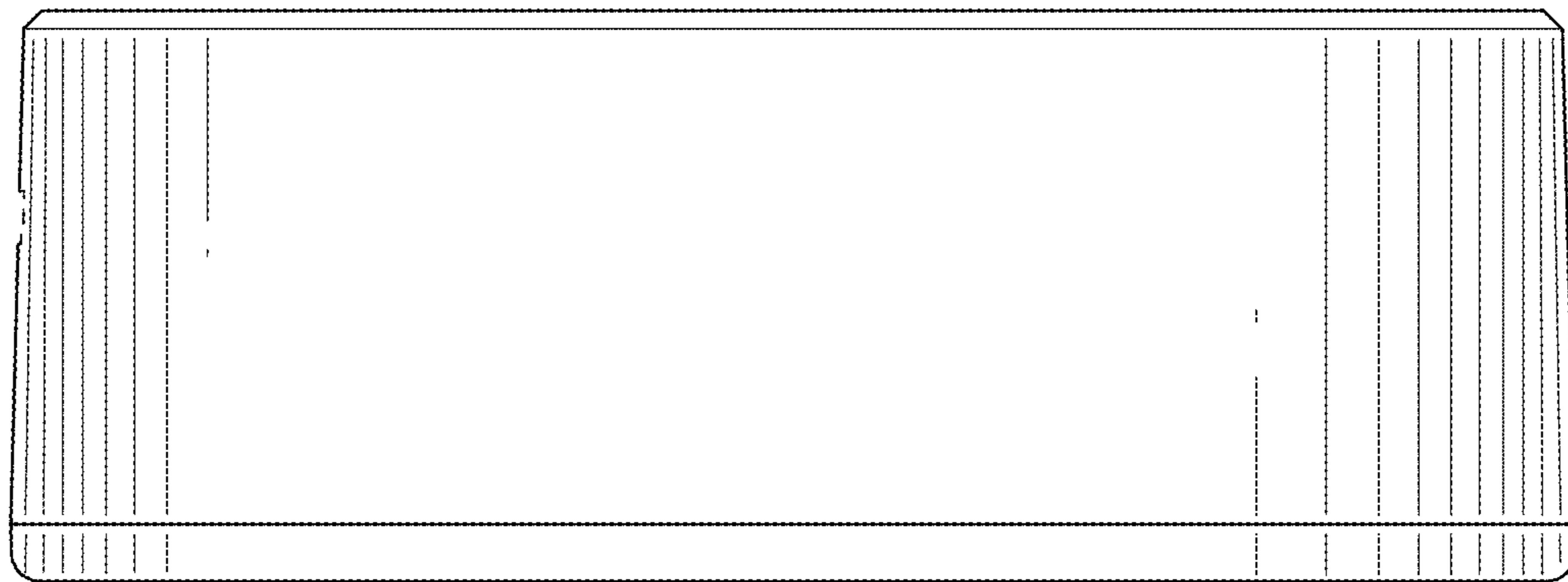


FIG. 5

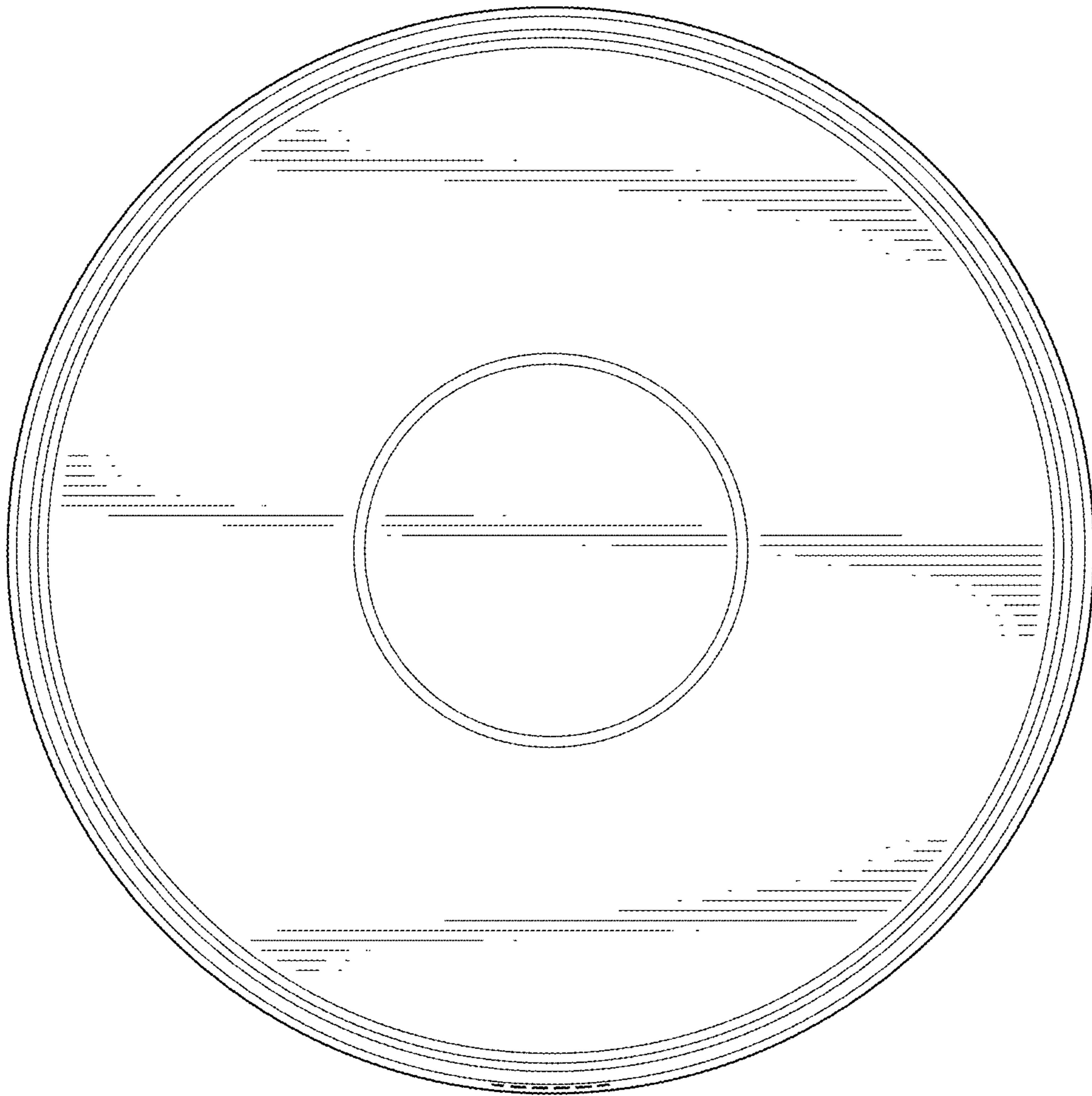


FIG. 6

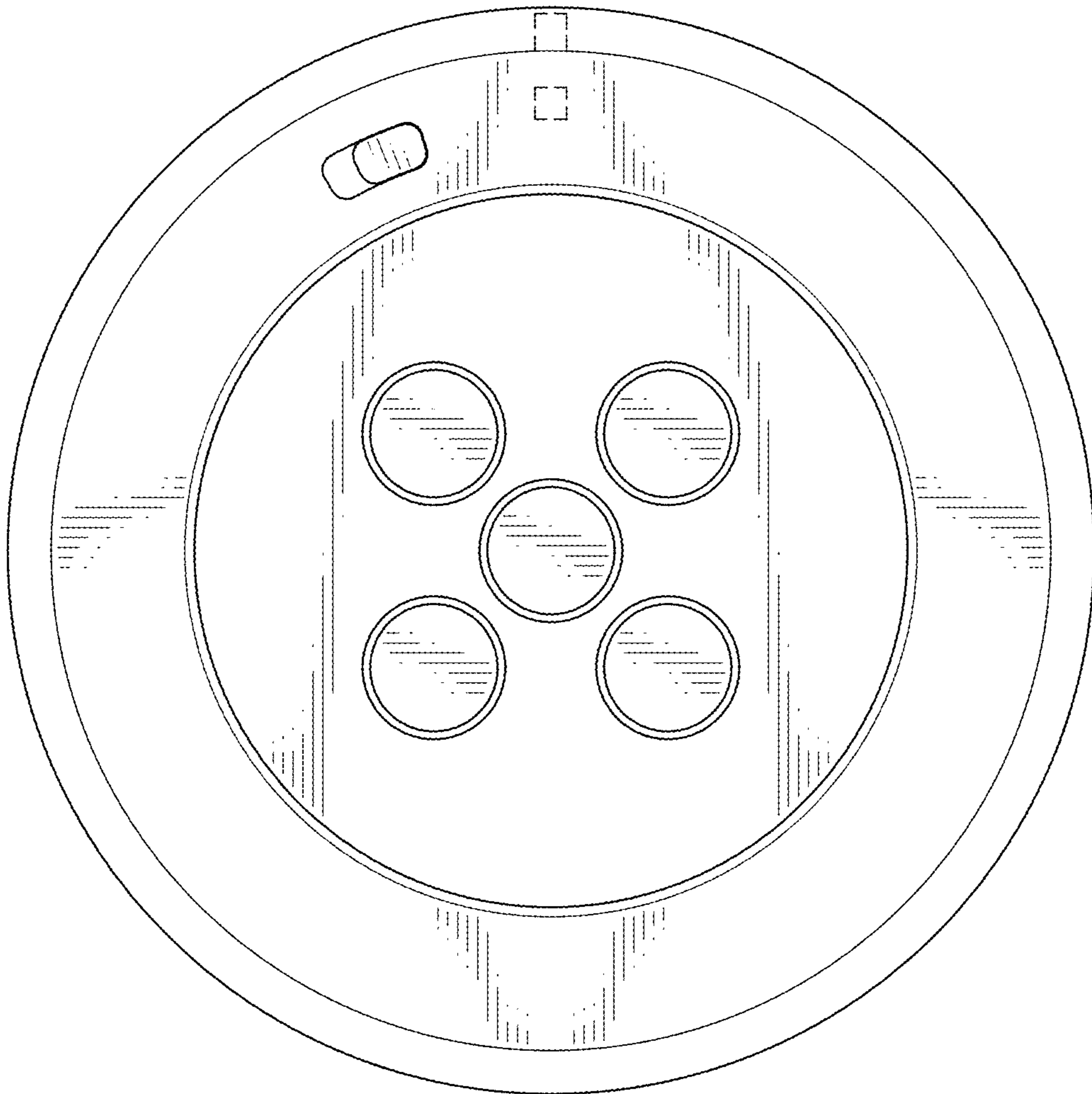


FIG. 7

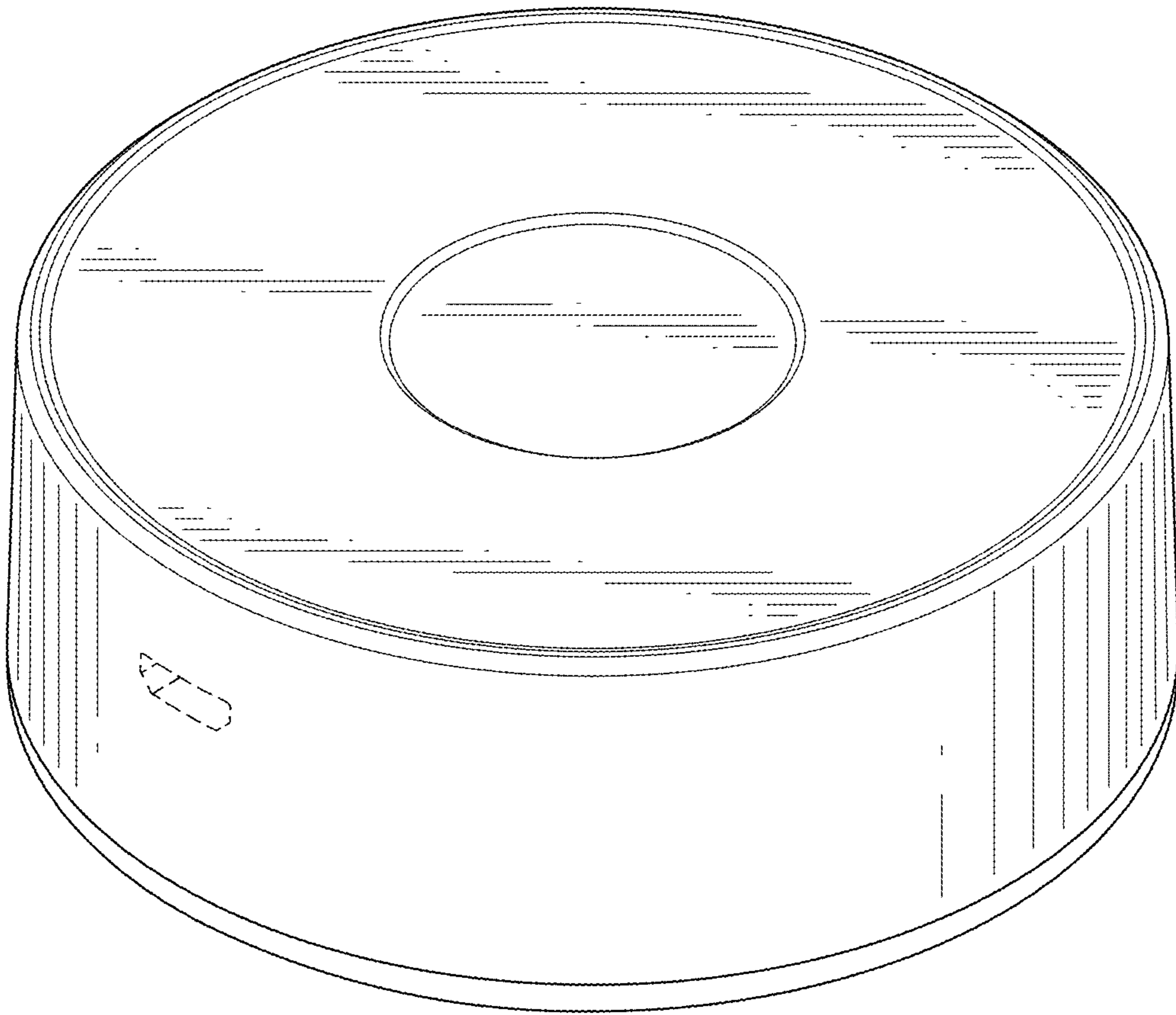


FIG. 8