



US00D943790S

(12) **United States Design Patent** (10) **Patent No.:** **US D943,790 S**
Sheetz et al. (45) **Date of Patent:** **** Feb. 15, 2022**

(54) **DENTAL CURING LIGHT**

- (71) Applicant: **Ultradent Products, Inc.**, South Jordan, UT (US)
- (72) Inventors: **Jared Sheetz**, Riverton, UT (US); **Wade Robert Michael Smith**, Pleasant Grove, UT (US); **Neil Jessop**, Sandy, UT (US)
- (73) Assignee: **Ultradent Products, Inc.**, South Jordan, UT (US)

- (**) Term: **15 Years**
- (21) Appl. No.: **29/669,068**
- (22) Filed: **Nov. 5, 2018**

Related U.S. Application Data

- (63) Continuation of application No. 13/133,129, filed as application No. PCT/US2009/069738 on Dec. 29, 2009, now Pat. No. 10,646,315.
- (51) **LOC (13) Cl.** **26-02**
- (52) **U.S. Cl.**
USPC **D26/37**
- (58) **Field of Classification Search**
USPC D26/26, 37-51, 60-66, 113, 120, 124, D26/138
CPC F21Y 2115/10; F21Y 2115/30; F21Y 2115/00; F21Y 2113/13; F21Y 2113/10; F21Y 2113/17; F21Y 2113/20; F21Y 2103/10; F21Y 2105/10; F21Y 2105/12; F21S 41/16; F21S 41/143; F21S 41/663; F21S 41/255; F21S 41/285; F21S 41/141;
(Continued)

(56) **References Cited**

U.S. PATENT DOCUMENTS

- D246,189 S 10/1977 Smith
 - 6,102,696 A 8/2000 Osterwalder et al.
- (Continued)

OTHER PUBLICATIONS

Dr. John Flucke Reviews the VALO Curing Light. By Ultradent Products, Inc. Dated Feb. 18, 2015. Found online [May 29, 2021]. <https://www.youtube.com/watch?v=EgIqyKf36VI> (Year: 2015).*

(Continued)

Primary Examiner — Marissa J Cash
Assistant Examiner — William B Melliar
 (74) *Attorney, Agent, or Firm* — Stoel Rives LLP

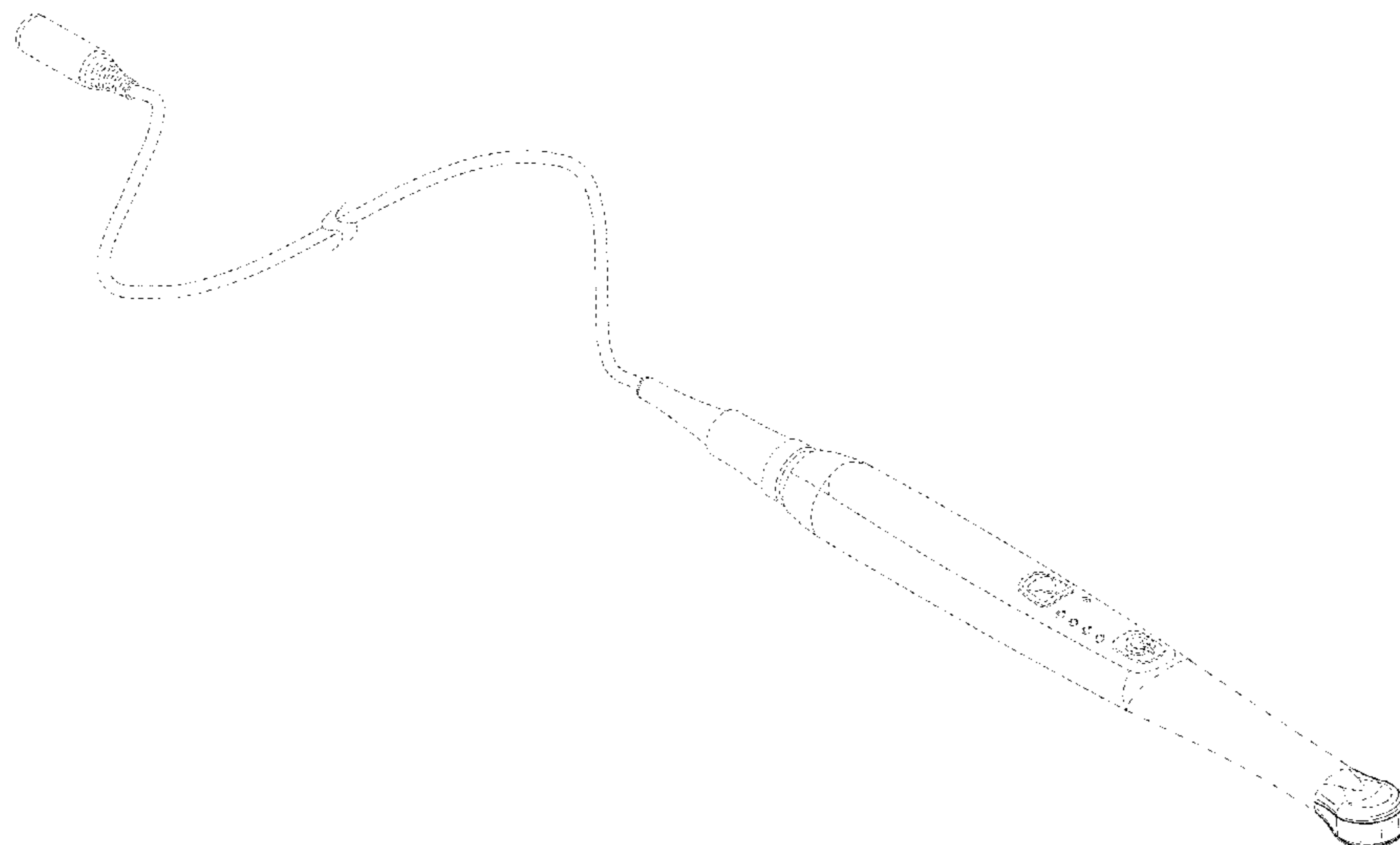
(57) **CLAIM**

The ornamental design for a dental curing light, as shown and described.

DESCRIPTION

FIG. 1 is an upper perspective view of a dental curing light shown in an environment of use with a symbolic break; FIG. 2 is an upper perspective view thereof that is enlarged relative to FIG. 1; FIG. 3 is an enlarged upper perspective view thereof shown in an alternate configuration of use and with a symbolic break; FIG. 4 is a lower perspective view of FIG. 2; FIG. 5 is a bottom perspective view thereof shown in an alternate configuration of use and with a symbolic break; FIG. 6 is a bottom perspective view thereof shown with a symbolic break; and, FIG. 7 is a cross-sectional view thereof taken along line 7-7 in FIG. 4 and shown with a symbolic break. The broken lines immediately adjacent the shaded areas represent the bounds of the claimed design, while all other broken lines are directed to environment and are for illustrative purposes only; the broken lines form no part of the claimed design. The appearance of any portion of the article between the symbolic break lines shown in the figures forms no part of the claimed design.

1 Claim, 6 Drawing Sheets



(58) **Field of Classification Search**

CPC F21S 41/675; F21S 41/153; F21S 41/147;
 F21S 41/151; F21S 41/176; F21S 41/25;
 F21S 41/265; F21S 41/275; F21S 41/43;
 F21S 41/148; F21S 41/657; F21S 41/24;
 F21S 41/321; F21S 41/36; F21S 41/40;
 F21S 41/18; F21S 41/322; F21S 41/19;
 F21S 41/192; F21S 41/26; F21S 41/29;
 F21S 41/295; F21S 41/365; F21S 41/39;
 F21S 41/50; F21S 41/645; F21S 41/125;
 F21S 41/13; F21S 41/14; F21S 41/30;
 F21S 41/32; F21S 41/334; F21S 41/337;
 F21S 41/60; F21S 41/635; F21S 41/67;
 F21S 41/00; F21S 41/27; F21S 41/28;
 F21S 41/33; F21S 41/338; F21S 41/37;
 F21S 41/47; F21S 41/62; F21S 41/64;
 F21S 41/65; F21S 41/689; F21S 43/14;
 F21S 43/26; F21S 43/00; F21S 43/16;
 F21S 43/237; F21S 43/241; F21S 43/245;
 F21S 43/27; F21S 43/30; F21S 43/31;
 F21S 43/315; F21S 43/40; F21S 43/37;
 B60Q 2300/42; B60Q 2300/56; B60Q
 2300/112; B60Q 2300/45; B60Q
 2300/122; B60Q 2300/132; B60Q
 2300/21; B60Q 2300/32; B60Q 2300/322;
 B60Q 2300/324; B60Q 2300/052; B60Q
 2300/05; B60Q 2300/11; B60Q 2300/14;
 B60Q 2300/23; B60Q 2300/30; B60Q
 2300/332; B60Q 2300/334; B60Q
 2300/43; B60Q 1/143; B60Q 1/04; B60Q
 1/0023; B60Q 1/085; B60Q 1/1407;
 B60Q 1/08; B60Q 1/1423; B60Q 1/0041;
 B60Q 1/115; B60Q 1/1415; B60Q
 1/0088; B60Q 1/0483; B60Q 1/076;
 B60Q 1/18; B60Q 1/0035; B60Q 1/0058;
 B60Q 1/0433; B60Q 1/045; B60Q 1/06;
 B60Q 1/0683; B60Q 1/10; B60Q 1/14;
 B60Q 1/24; B60Q 1/28; B60Q 1/00;
 B60Q 1/0005; B60Q 1/0011; B60Q
 1/007; B60Q 1/0076; B60Q 1/0408;
 B60Q 1/0466; B60Q 1/0491; B60Q
 1/068; B60Q 1/072; B60Q 1/12; B60Q
 1/122; B60Q 1/2607; B60Q 1/50; B60Q
 1/525; B60Q 2900/30; B60Q 2200/32;
 B60Q 2200/38; B60Q 2200/34; B60Q
 2400/50; F21V 23/0414; F21V 23/0492;
 F21V 23/002; F21V 23/003; F21V
 23/0471; F21V 23/023; F21V 23/0042;
 F21V 23/007; F21V 23/02; F21V
 23/0428; F21V 23/0478; F21V 23/0485;
 F21V 23/06; F21V 21/096; F21V
 21/0965; F21V 21/145; F21V 21/30;
 F21V 21/0816; F21V 21/0885; F21V
 21/10; F21V 17/007; F21V 17/105; F21V
 13/14; F21V 29/15; F21V 29/502; F21V
 29/56; F21V 29/58; F21V 29/59; F21V
 29/70; F21V 29/74; F21V 29/76; F21V

29/77; F21V 29/83; F21V 31/03; F21V
 33/0008; F21V 3/08; F21V 3/12; F21V
 5/008; F21V 5/10; F21V 9/30; F21V
 9/35; F21V 9/40; H05B 45/10; H05B
 45/20; H05B 45/44; H05B 45/12; H05B
 45/30; H05B 47/105; H05B 47/10; H05B
 47/125; H05B 47/18; H05B 47/115;
 H05B 47/13; H05B 47/19; F21L 4/02;
 F21L 4/04; F21L 4/00; F21L 14/00; F21L
 14/022

See application file for complete search history.

(56)

References Cited

U.S. PATENT DOCUMENTS

D435,651	S *	12/2000	Hartwein	D24/111
6,159,005	A	12/2000	Herold et al.		
6,702,576	B2	3/2004	Fischer et al.		
6,709,128	B2	3/2004	Gordon et al.		
6,719,559	B2	4/2004	Cao		
D515,214	S *	2/2006	Jackson, III	D24/176
6,994,546	B2	2/2006	Fischer		
7,056,116	B2	6/2006	Scott		
D529,613	S *	10/2006	Fischer	D24/176
D530,013	S *	10/2006	Fischer	D24/176
7,195,482	B2	3/2007	Scott		
7,210,814	B2	5/2007	Scott et al.		
7,273,369	B2	9/2007	Rosenblood et al.		
7,581,846	B2	9/2009	Hayman et al.		
D627,471	S *	11/2010	Mueller	D24/176
D634,014	S *	3/2011	Noui	D24/176
D638,944	S *	5/2011	Smith	D24/176
D663,839	S *	7/2012	Kagawa	D24/152
D665,074	S *	8/2012	Gebski	D24/112
8,711,355	B2	4/2014	Jessop		
D712,035	S *	8/2014	Ting	D24/152
9,539,073	B2	1/2017	Jessop		
D828,562	S *	9/2018	Sheetz	A61C 19/004 D24/152
D864,450	S *	10/2019	Chen	D26/42
D866,764	S *	11/2019	Pukall	D24/152
D879,291	S *	3/2020	Elazar	D24/139
D908,160	S *	1/2021	Sun	D16/208
2003/0036031	A1	2/2003	Lieb et al.		
2006/0018123	A1	1/2006	Rose		
2006/0040231	A1	2/2006	Quan et al.		
2009/0208894	A1	8/2009	Orloff		
2011/0300505	A1 *	12/2011	Jessop	A61C 19/004 433/29
2012/0257390	A1	10/2012	Fowler		
2013/0344456	A1 *	12/2013	Jessop	A61K 6/831 433/29
2015/0250572	A1	9/2015	Gramann		

OTHER PUBLICATIONS

Notice of Allowance dated May 14, 2018 for U.S. Appl. No. 29/574,307.
 Office Action dated Aug. 7, 2017 for U.S. Appl. No. 29/574,307.
 Product Brochure: SiriusMax Advance Curing System www.siriusmax.com/product/siriusmax, ,2016.

* cited by examiner

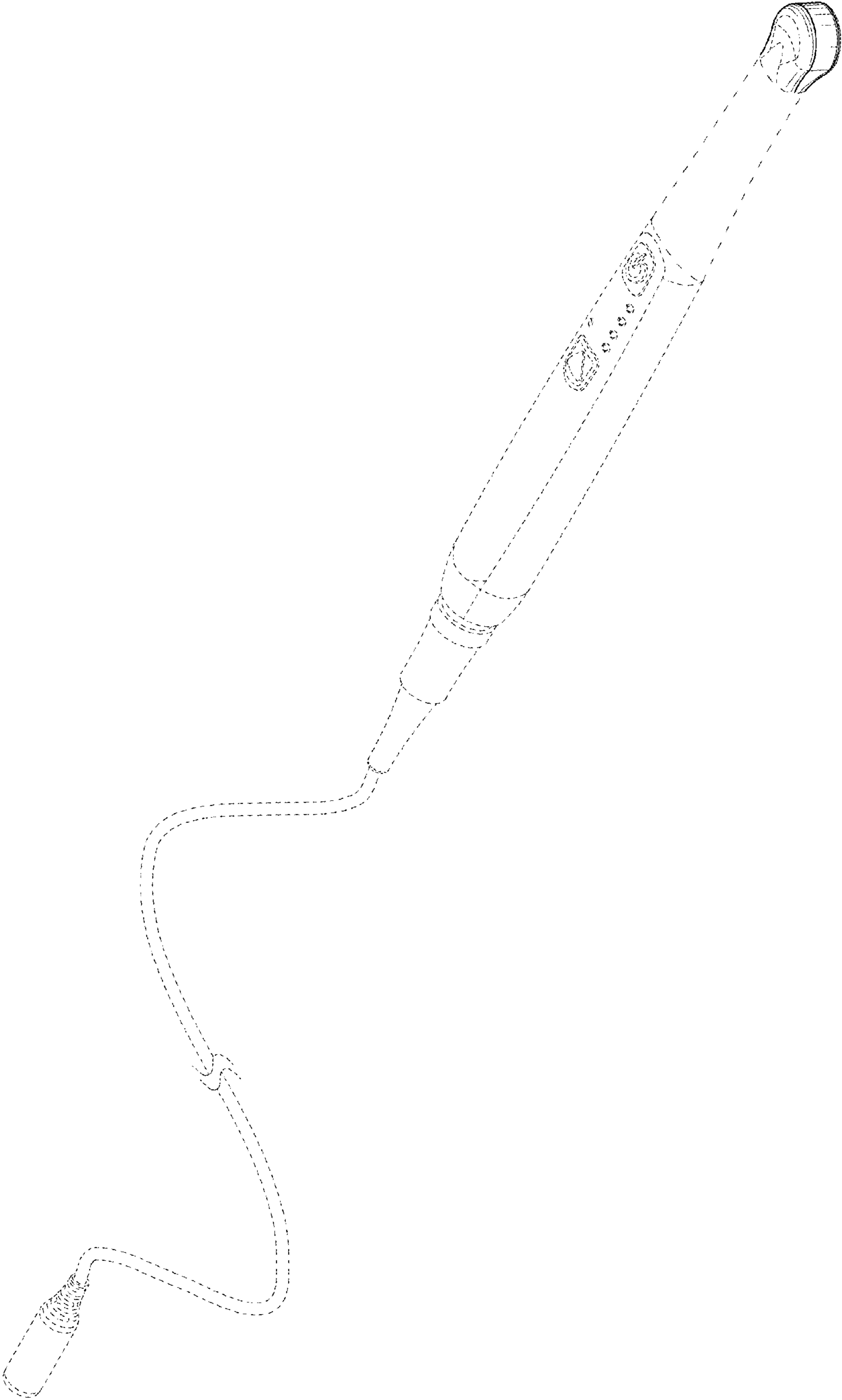


FIG. 1

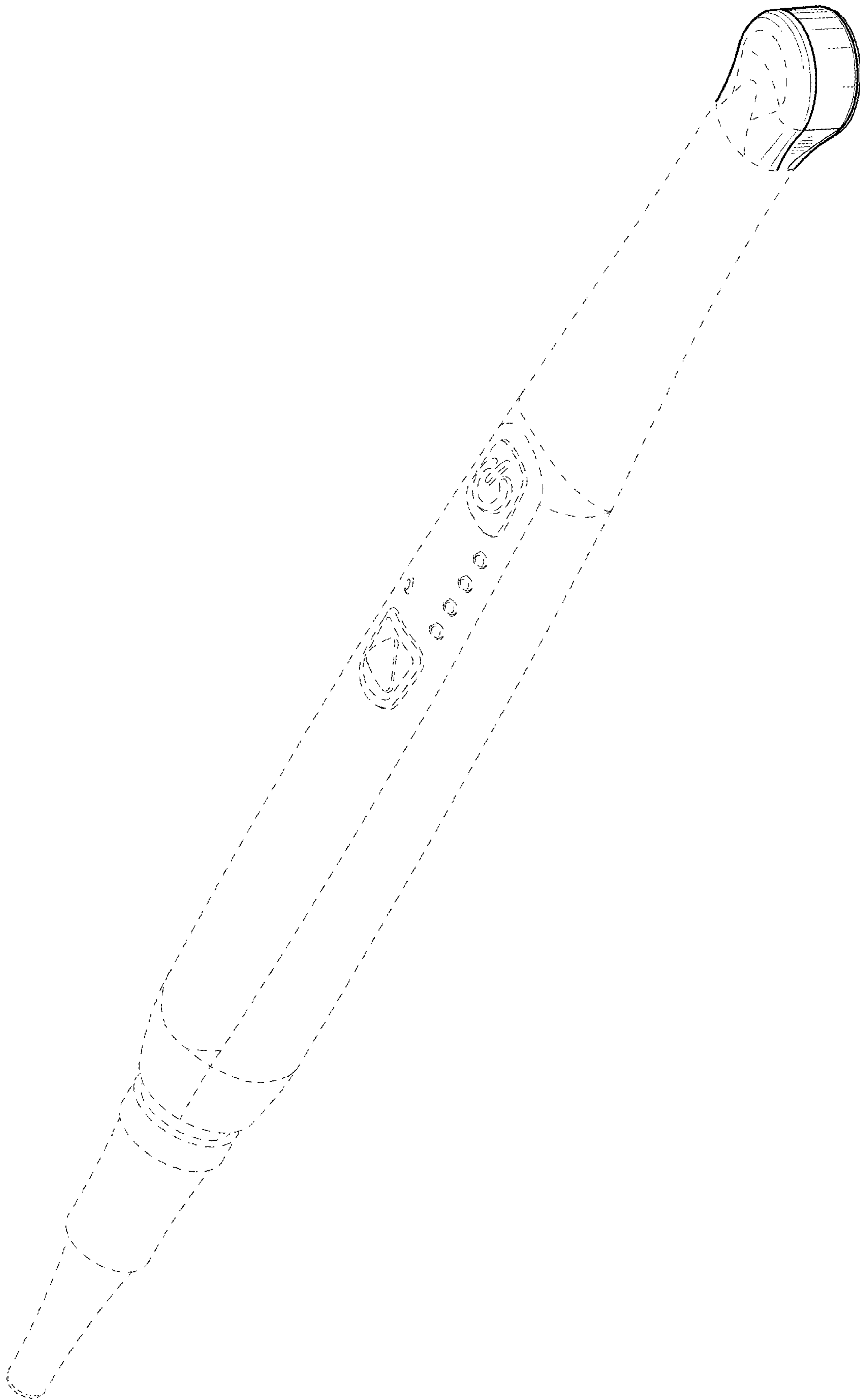


FIG. 2

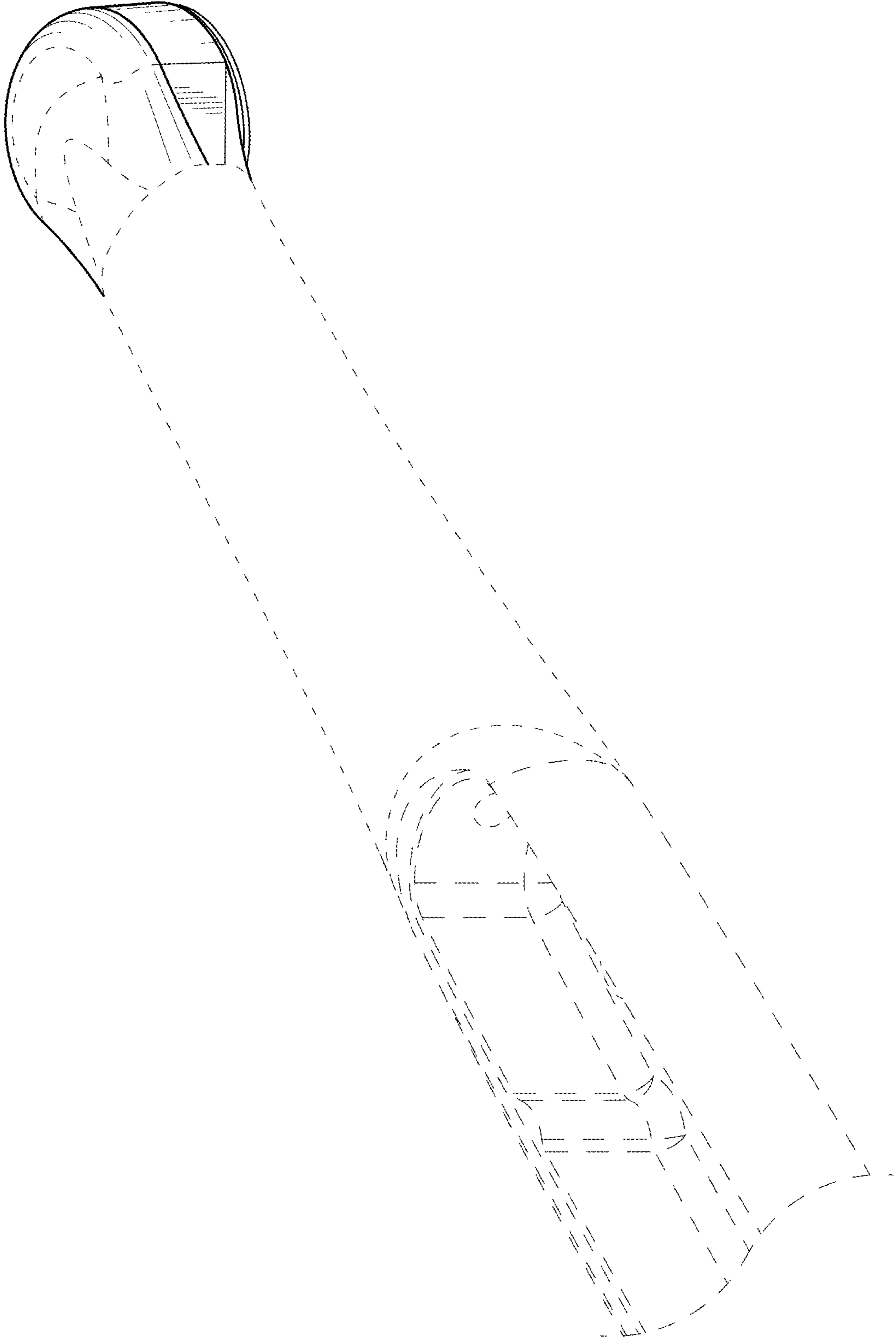


FIG. 3

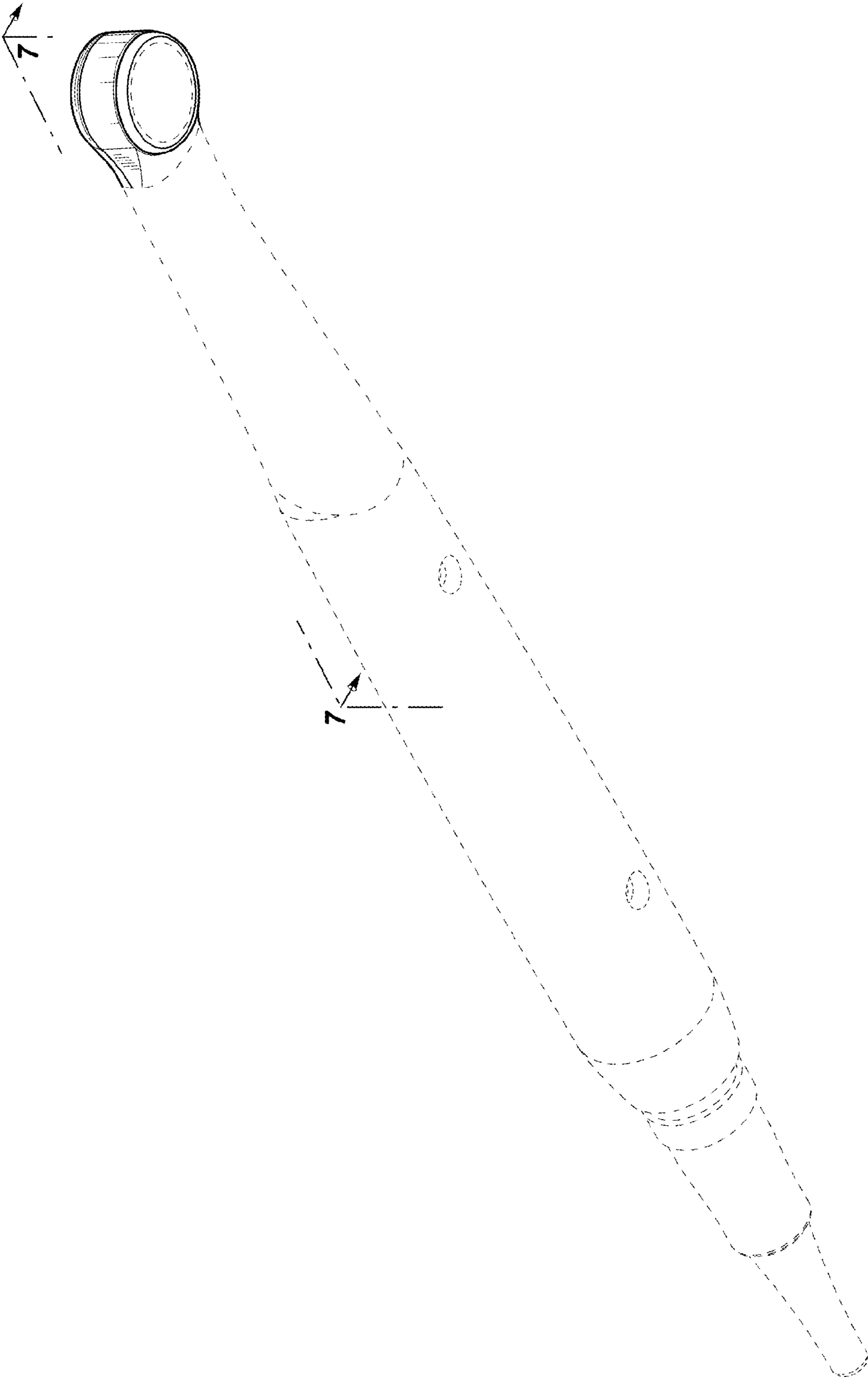


FIG. 4

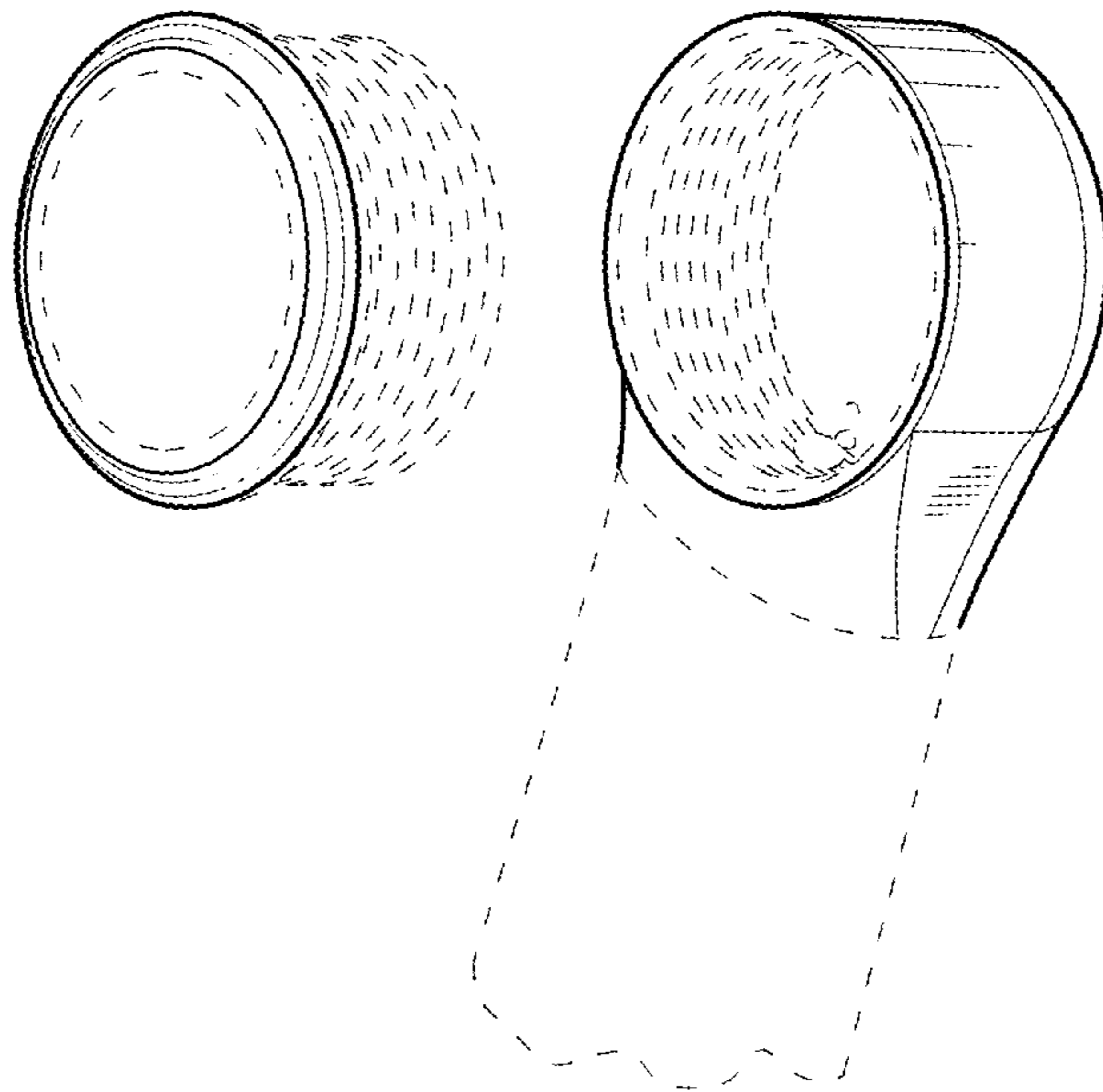


FIG. 5

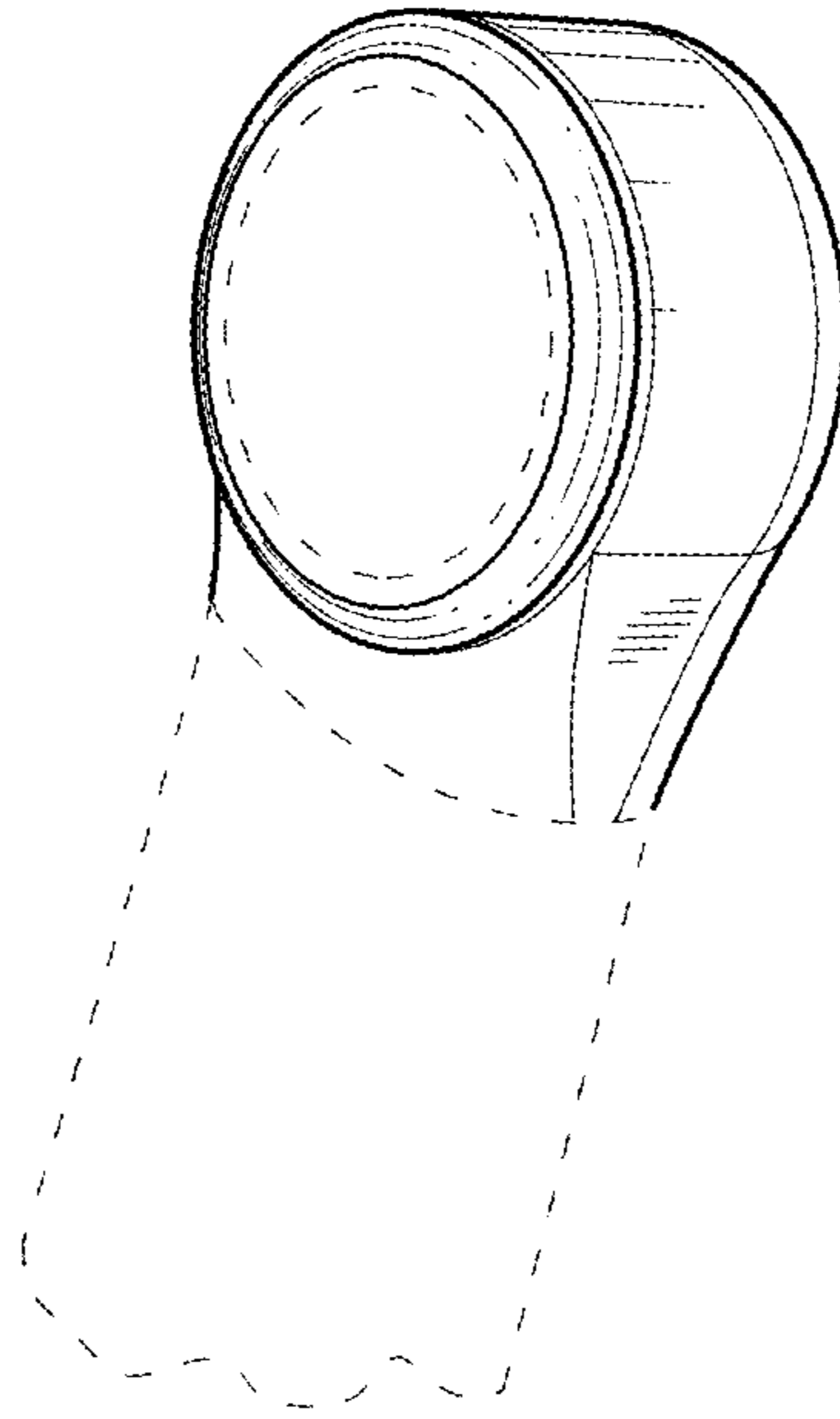


FIG. 6

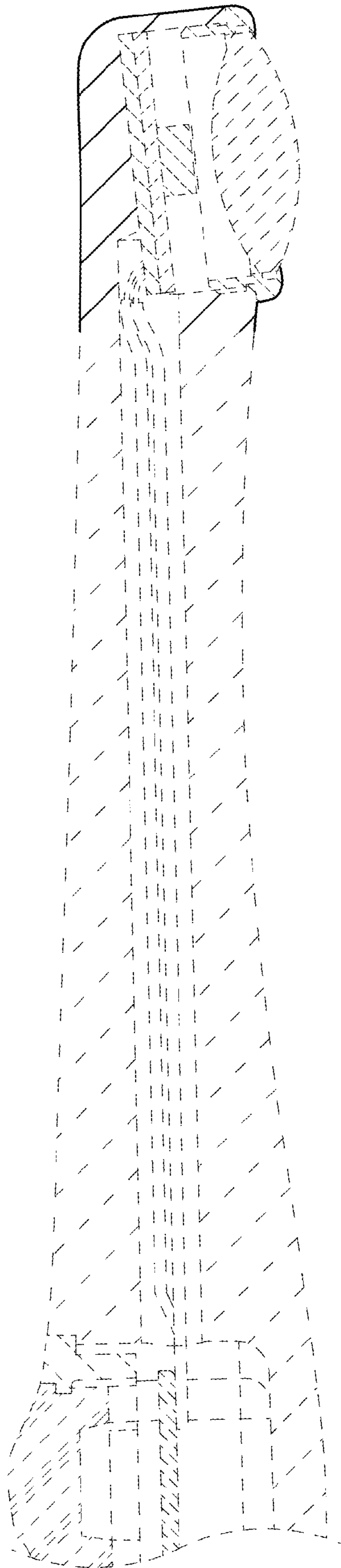


FIG. 7