



US00D943787S

(12) **United States Design Patent**  
**Yan et al.**

(10) **Patent No.:** **US D943,787 S**  
(45) **Date of Patent:** **\*\* Feb. 15, 2022**

(54) **LIGHT BULB**

(71) Applicant: **Hangzhou Hangke Optoelectronics Co., Ltd., Zhejiang (CN)**

(72) Inventors: **Qianjun Yan, Zhejiang (CN);  
Zhaozhang Zheng, Zhejiang (CN);  
Lingli Ma, Zhejiang (CN)**

(73) Assignee: **Hangzhou Hangke Optoelectronics Co., Ltd., Zhejiang (CN)**

(\*\*) Term: **15 Years**

(21) Appl. No.: **29/761,629**

(22) Filed: **Dec. 10, 2020**

(30) **Foreign Application Priority Data**

Nov. 6, 2020 (CN) ..... 202030668879.3

(51) **LOC (13) Cl.** ..... **26-04**

(52) **U.S. Cl.**  
USPC ..... **D26/2**

(58) **Field of Classification Search**  
CPC ..... H01R 5/00; H01R 13/46; H01R 13/514;  
H01R 31/02; H01R 31/048; H01J 5/00;  
H01J 5/16; H01J 1/02; H01J 15/00; H01J  
5/48; H01J 5/50; H01J 19/54; F21V 5/00;  
F21K 9/00; F21K 13/00  
See application file for complete search history.

(56) **References Cited**

**U.S. PATENT DOCUMENTS**

D422,099 S \* 3/2000 Kracke ..... D26/2  
D443,703 S \* 6/2001 Sood ..... D26/2

D549,360 S \* 8/2007 An ..... D26/2  
D550,864 S \* 9/2007 Hernandez, Jr. .... D26/2  
D646,810 S \* 10/2011 Takeuchi ..... D26/2  
D655,024 S \* 2/2012 deBetak ..... D26/2  
D859,697 S 9/2019 Yeung

\* cited by examiner

*Primary Examiner* — Marcus A Jackson

(74) *Attorney, Agent, or Firm* — Muncy, Geissler, Olds & Lowe, P.C.

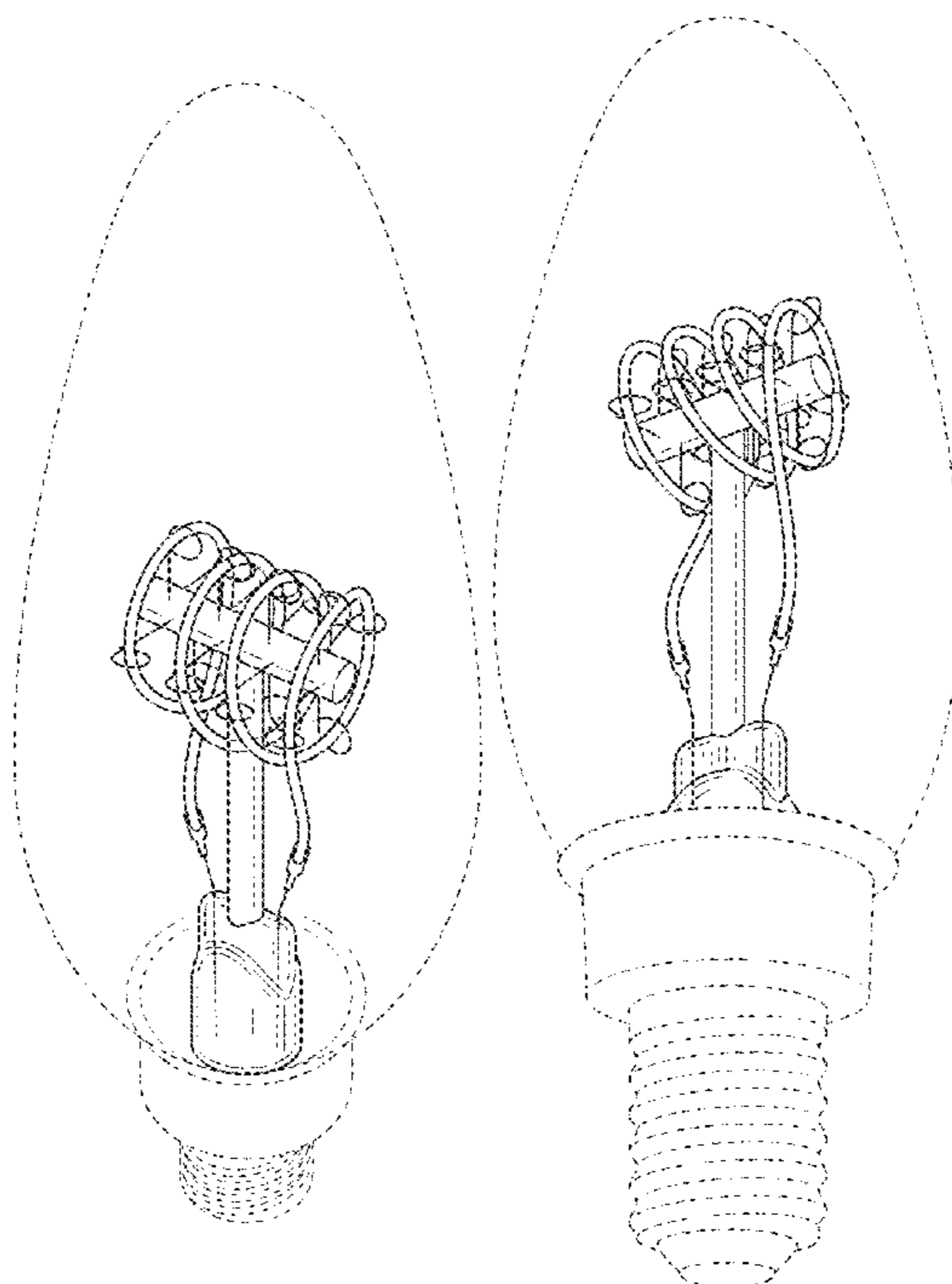
(57) **CLAIM**

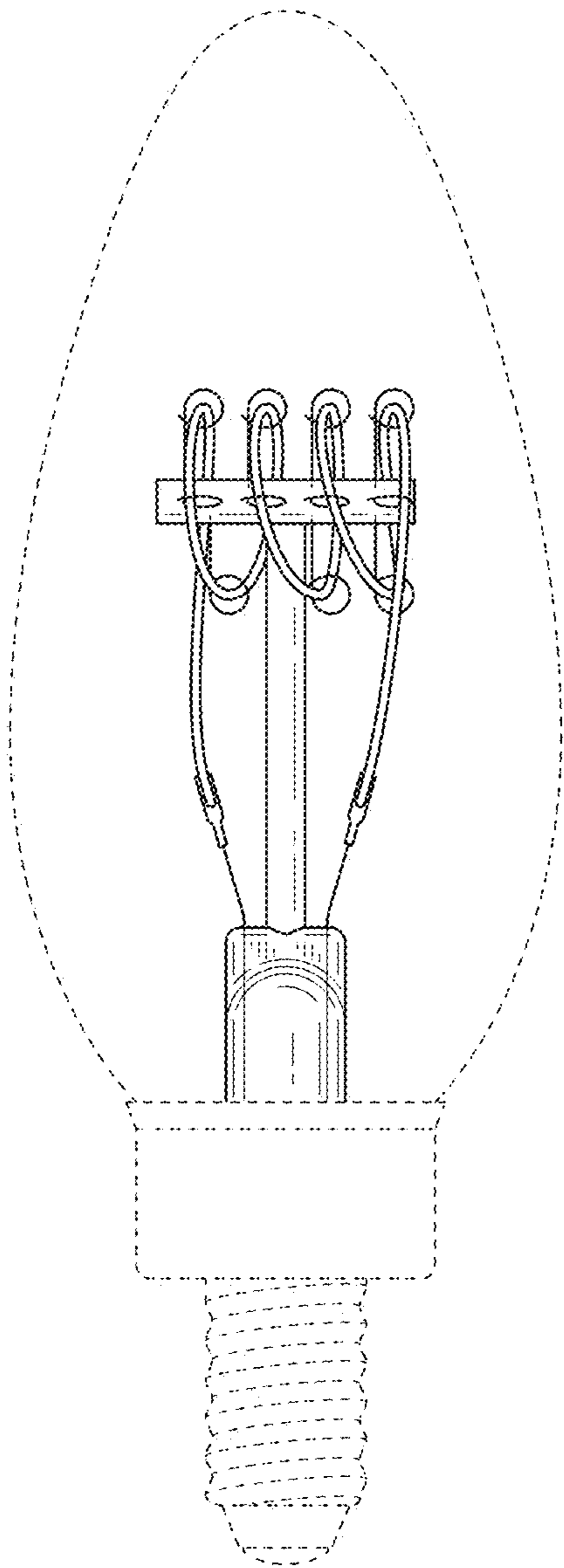
The ornamental design for a light bulb, as shown and described.

**DESCRIPTION**

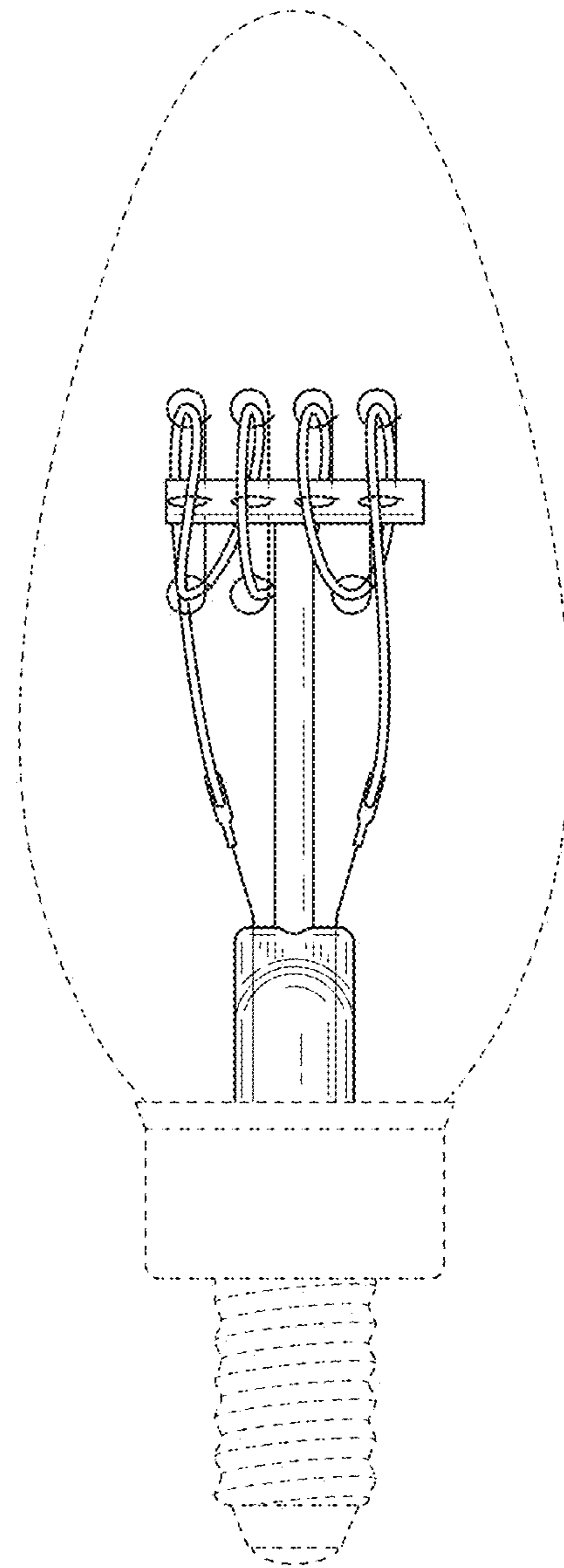
FIG. 1 is a front elevational view of a light bulb showing our new design;  
FIG. 2 is a rear elevational view thereof;  
FIG. 3 is a right side elevational view thereof;  
FIG. 4 is a left side elevational view thereof;  
FIG. 5 is a top plan view thereof;  
FIG. 6 is a top perspective view thereof; and,  
FIG. 7 is a bottom perspective view thereof.  
The broken lines illustrate portions of the light bulb which form no part of the claimed design.  
The views of the light bulb that are not shown form no part of the claimed design.

**1 Claim, 5 Drawing Sheets**

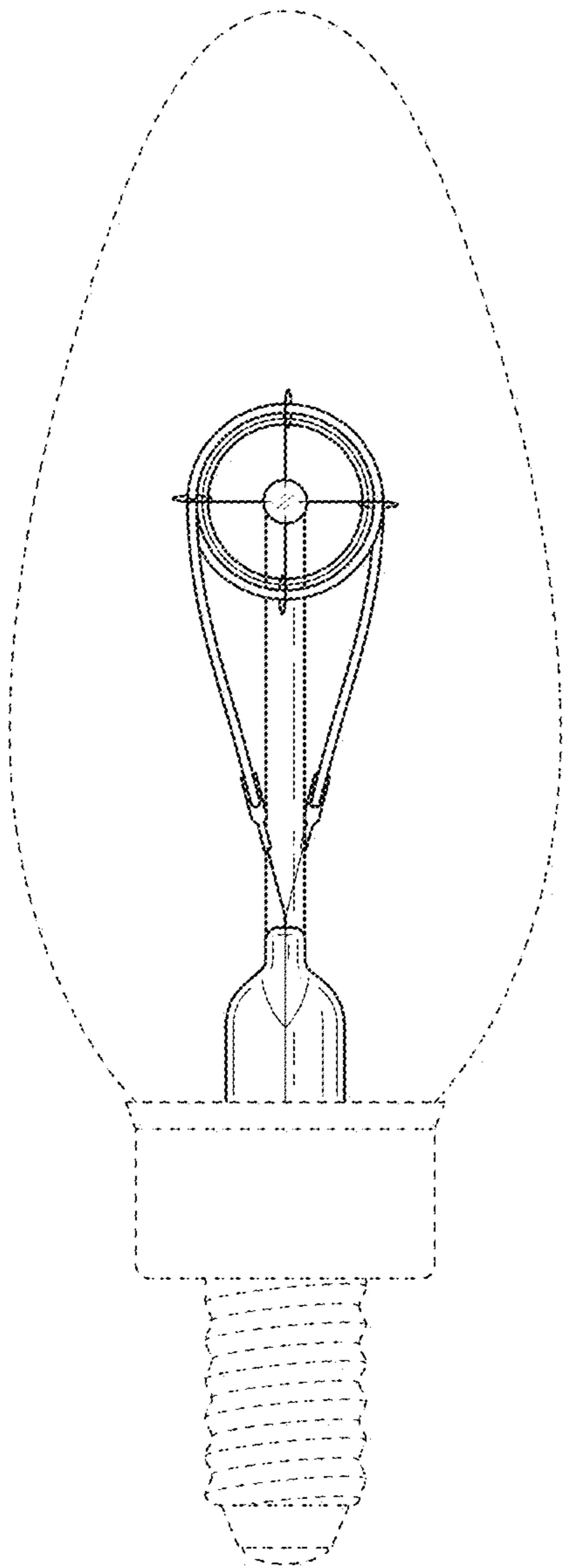




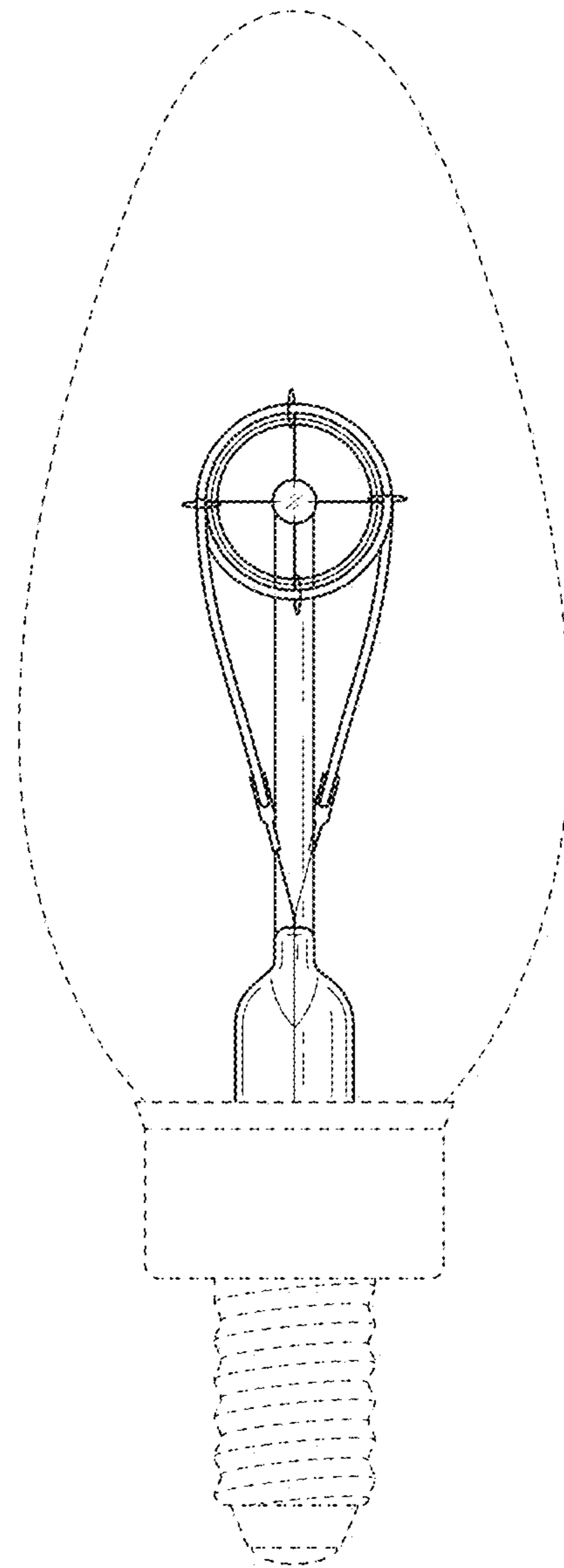
**FIG. 1**



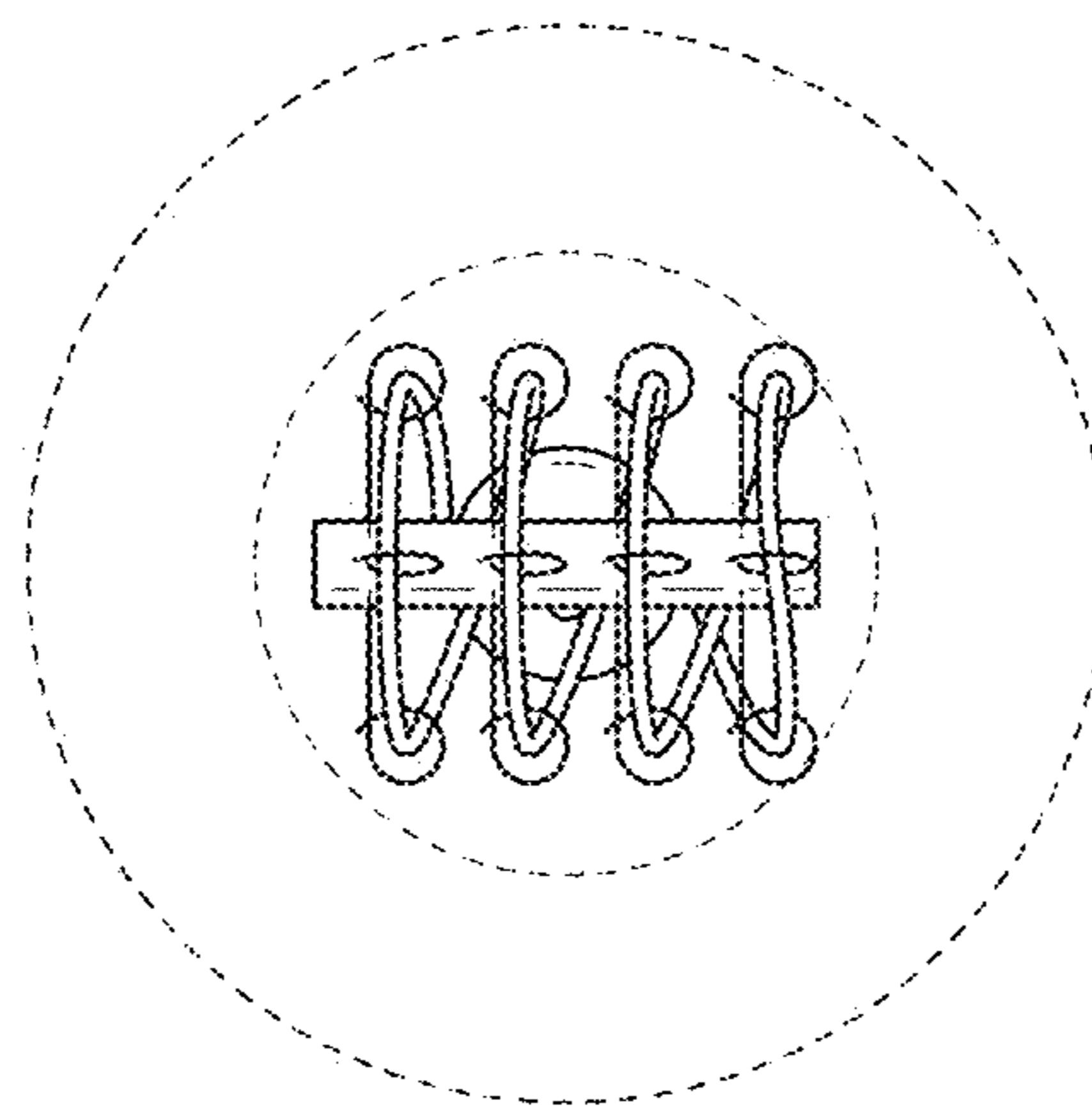
**FIG. 2**



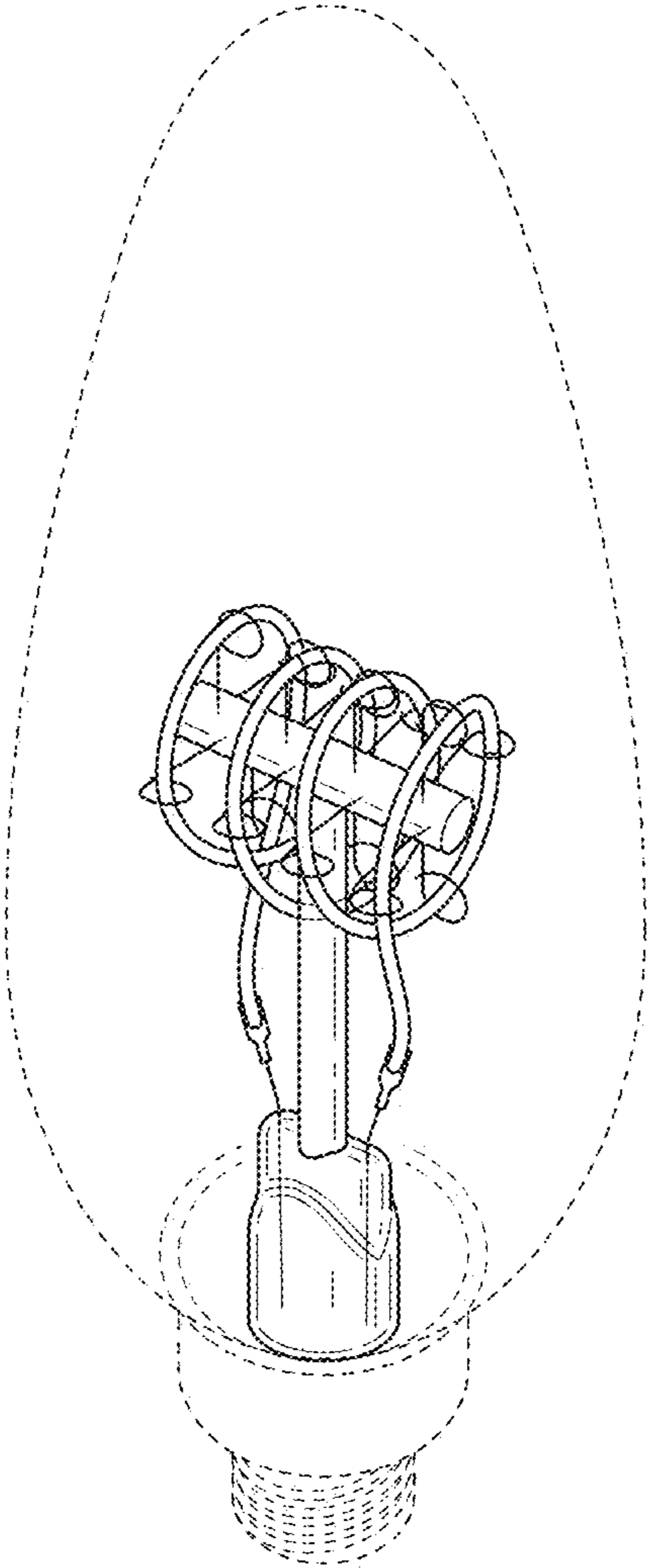
**FIG. 3**



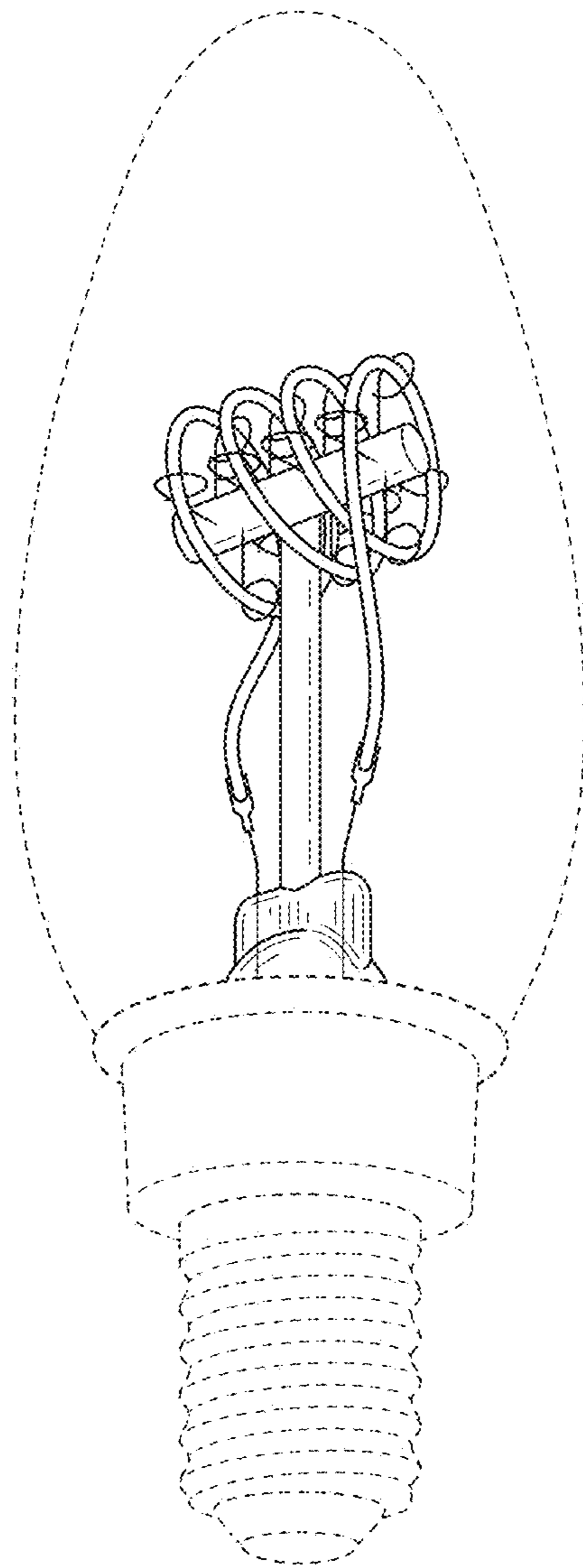
**FIG. 4**



**FIG. 5**



**FIG. 6**



**FIG. 7**