



US00D943785S

(12) **United States Design Patent**  
**Fest**

(10) **Patent No.:** **US D943,785 S**  
(45) **Date of Patent:** **\*\* Feb. 15, 2022**

- (54) **ACOUSTIC PANEL**
- (71) Applicant: **Corsair Memory, Inc.**, Fremont, CA (US)
- (72) Inventor: **Julian Fest**, Munich (DE)
- (73) Assignee: **CORSAIR MEMORY, INC.**, Fremont, CA (US)
- (\*\*) Term: **15 Years**
- (21) Appl. No.: **29/762,138**
- (22) Filed: **Dec. 15, 2020**
- (30) **Foreign Application Priority Data**

Jun. 26, 2020 (EM) ..... 008022842-0006

- (51) **LOC (13) Cl.** ..... **25-01**
- (52) **U.S. Cl.**  
USPC ..... **D25/163**
- (58) **Field of Classification Search**  
USPC ..... D25/138, 157, 163; D14/330, 204, 242, D14/210  
CPC ..... G10K 2210/113; G10K 2210/118; G10K 2210/12; G10K 11/002; G10K 11/17861; E04B 2001/2481; E04B 2001/8414; E04B 2001/8419; E04B 2001/8423; E04B 2001/8428; E04B 1/74; E04B 1/84; E04B 1/88; E04B 1/90; E04B 1/99; E04B 1/994; E04B 1/82; E04B 1/8218; E04B 1/8227; E04B 1/8236; E04B 1/8404; E04B 1/8409; B32B 3/12  
See application file for complete search history.

(56) **References Cited**

**U.S. PATENT DOCUMENTS**

- D249,367 S \* 9/1978 Reese ..... D25/163
- D288,243 S \* 2/1987 Tofani ..... D25/157

- D299,872 S \* 2/1989 Jennings ..... D25/157
- D462,462 S \* 9/2002 Ogawa ..... D25/138
- D462,463 S \* 9/2002 Ogawa ..... D25/138
- D481,470 S \* 10/2003 Moller, Jr. .... D25/163
- 6,983,821 B2 \* 1/2006 Putt ..... B28C 5/381  
181/288
- D579,126 S \* 10/2008 Mattingly ..... D25/138
- 8,960,367 B1 \* 2/2015 Leclerc ..... G10K 11/20  
181/286
- 9,322,165 B2 \* 4/2016 Luhtala ..... E04B 1/84
- D867,622 S \* 11/2019 Li ..... D25/138
- 2017/0217126 A1 \* 8/2017 Wu ..... B32B 3/08
- 2018/0051462 A1 \* 2/2018 Hakuta ..... E04B 1/86
- 2019/0024589 A1 \* 1/2019 Bowen ..... F02C 7/24

**FOREIGN PATENT DOCUMENTS**

- CA 2999458 A1 \* 11/2018 ..... E04B 1/94
- WO WO-2018034949 A1 \* 2/2018 ..... E04B 1/86

\* cited by examiner

*Primary Examiner* — Doris Clark

(74) *Attorney, Agent, or Firm* — Harness, Dickey & Pierce, P.L.C.

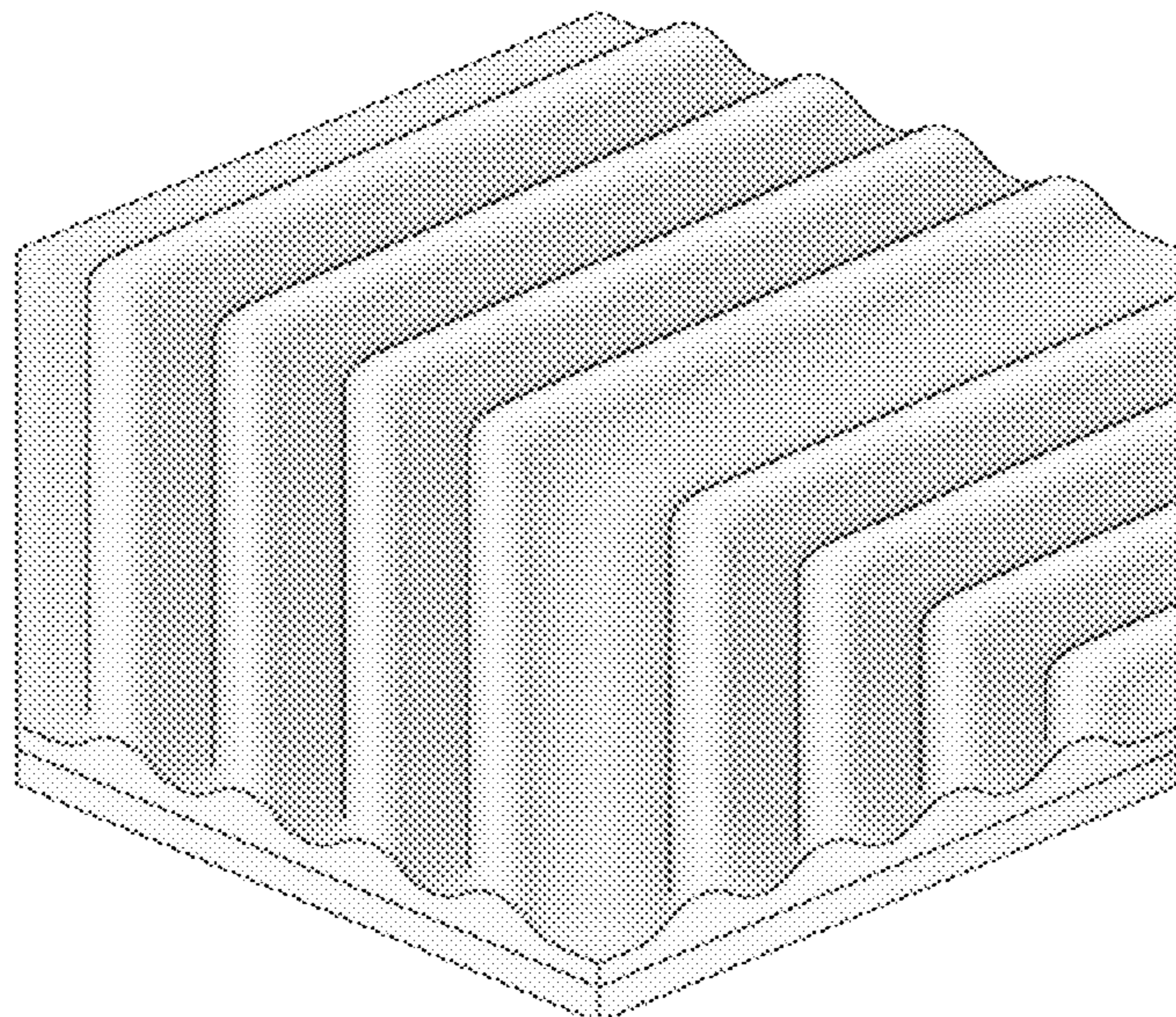
(57) **CLAIM**

The ornamental design for an acoustic panel, as shown and described.

**DESCRIPTION**

FIG. 1 is a perspective view of the acoustic panel, showing my new design;  
FIG. 2 is an exploded view of the acoustic panel as shown in FIG. 1; and,  
FIG. 3 is a side view of the acoustic panel as shown in FIG. 1.

**1 Claim, 3 Drawing Sheets**



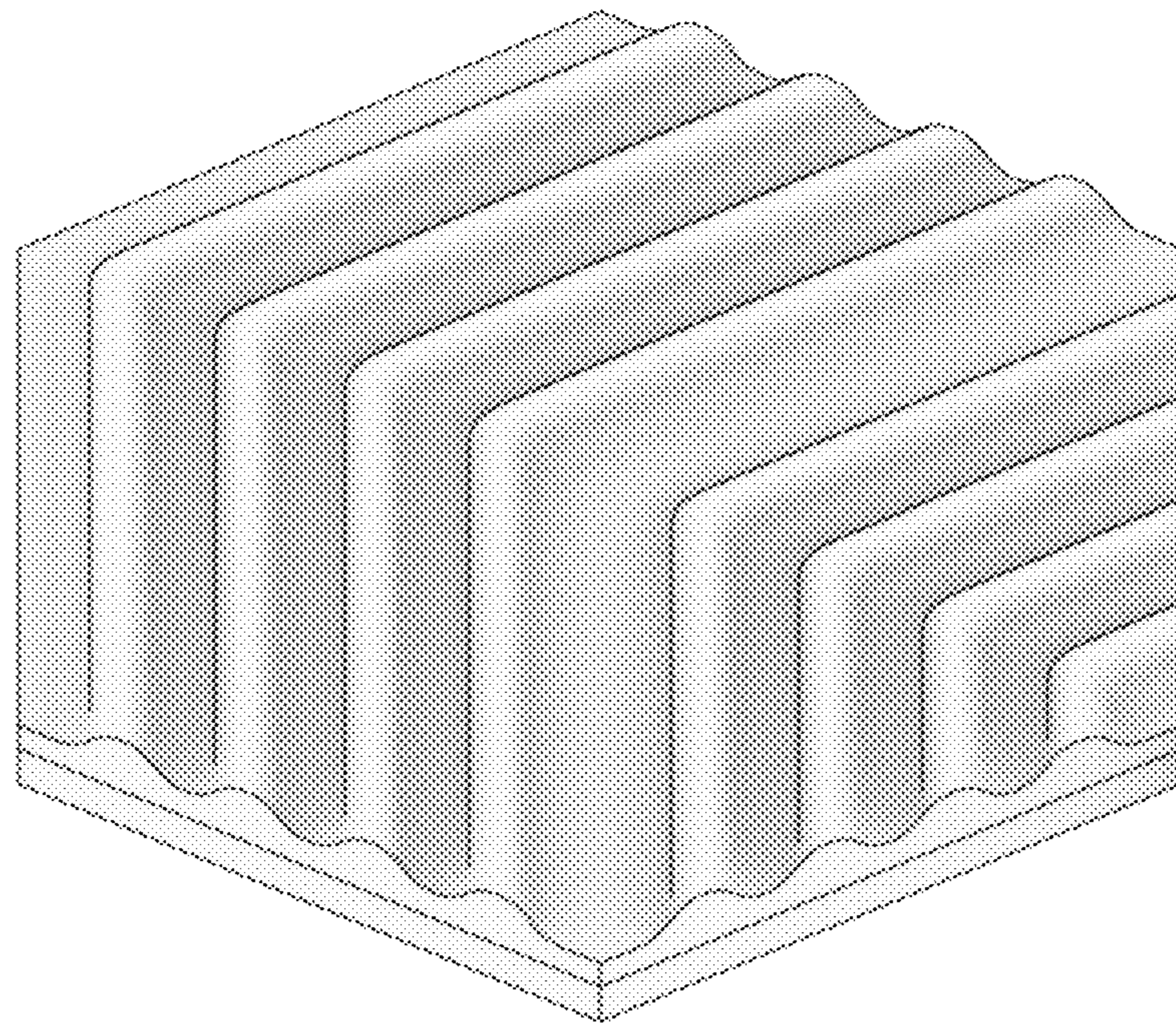


FIG. 1

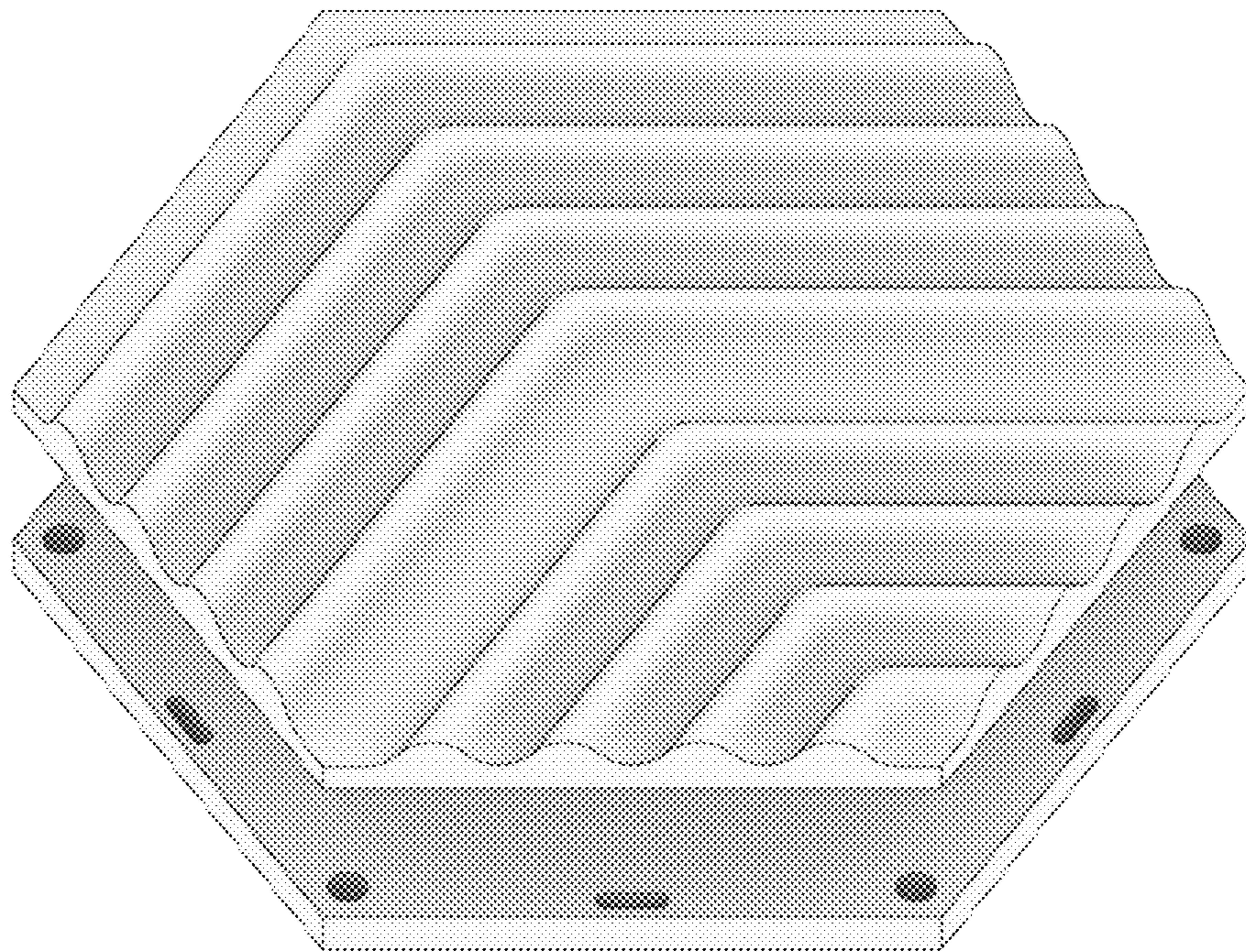
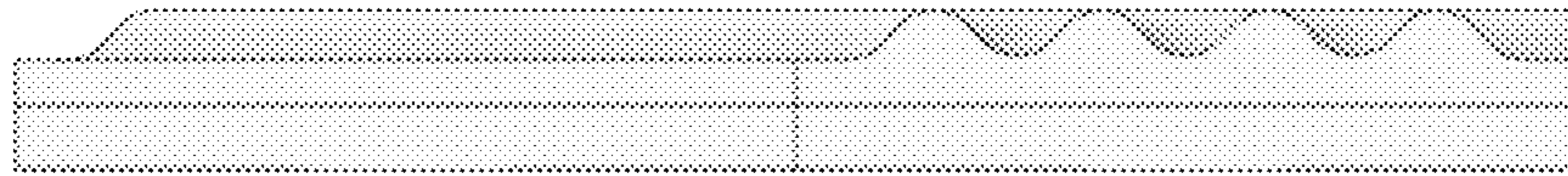


FIG. 2



**FIG. 3**