



US00D943784S

(12) **United States Design Patent**
Fest

(10) **Patent No.:** **US D943,784 S**

(45) **Date of Patent:** **** Feb. 15, 2022**

(54) **ACOUSTIC PANEL**

(71) Applicant: **Corsair Memory, Inc.**, Fremont, CA
(US)

(72) Inventor: **Julian Fest**, Munich (DE)

(73) Assignee: **CORSAIR MEMORY, INC.**, Fremont,
CA (US)

(**) Term: **15 Years**

(21) Appl. No.: **29/762,131**

(22) Filed: **Dec. 15, 2020**

(30) **Foreign Application Priority Data**

Jun. 26, 2020 (EM) 008022842-0003

(51) **LOC (13) Cl.** **25-01**

(52) **U.S. Cl.**
USPC **D25/163**

(58) **Field of Classification Search**
USPC D25/138, 157, 163; D14/330, 204, 242,
D14/210

CPC G10K 2210/113; G10K 2210/118; G10K
2210/12; G10K 11/002; G10K 11/17861;
E04B 2001/2481; E04B 2001/8414; E04B
2001/8419; E04B 2001/8423; E04B
2001/8428; E04B 1/74; E04B 1/84; E04B
1/88; E04B 1/90; E04B 1/99; E04B
1/994; E04B 1/82; E04B 1/8218; E04B
1/8227; E04B 1/8236; E04B 1/8404;
E04B 1/8409; B32B 3/12

See application file for complete search history.

(56) **References Cited**

U.S. PATENT DOCUMENTS

D249,367 S * 9/1978 Reese D25/163
D288,243 S * 2/1987 Tofani D25/157

D299,872 S * 2/1989 Jennings D25/157
D462,462 S * 9/2002 Ogawa D25/138
D462,463 S * 9/2002 Ogawa D25/138
D481,470 S * 10/2003 Moller, Jr. D25/163
6,983,821 B2 * 1/2006 Putt B28C 5/381
181/288
D579,126 S * 10/2008 Mattingly D25/138
8,960,367 B1 * 2/2015 Leclerc G10K 11/20
181/286
9,322,165 B2 * 4/2016 Luhtala E04B 1/84
D867,622 S * 11/2019 Li D25/138
2017/0217126 A1 * 8/2017 Wu B32B 3/08
2018/0051462 A1 * 2/2018 Hakuta E04B 1/86
2019/0024589 A1 * 1/2019 Bowen F02C 7/24

FOREIGN PATENT DOCUMENTS

CA 2999458 A1 * 11/2018 E04B 1/94
WO WO-2018034949 A1 * 2/2018 E04B 1/86

* cited by examiner

Primary Examiner — Doris Clark

(74) *Attorney, Agent, or Firm* — Harness, Dickey &
Pierce, P.L.C.

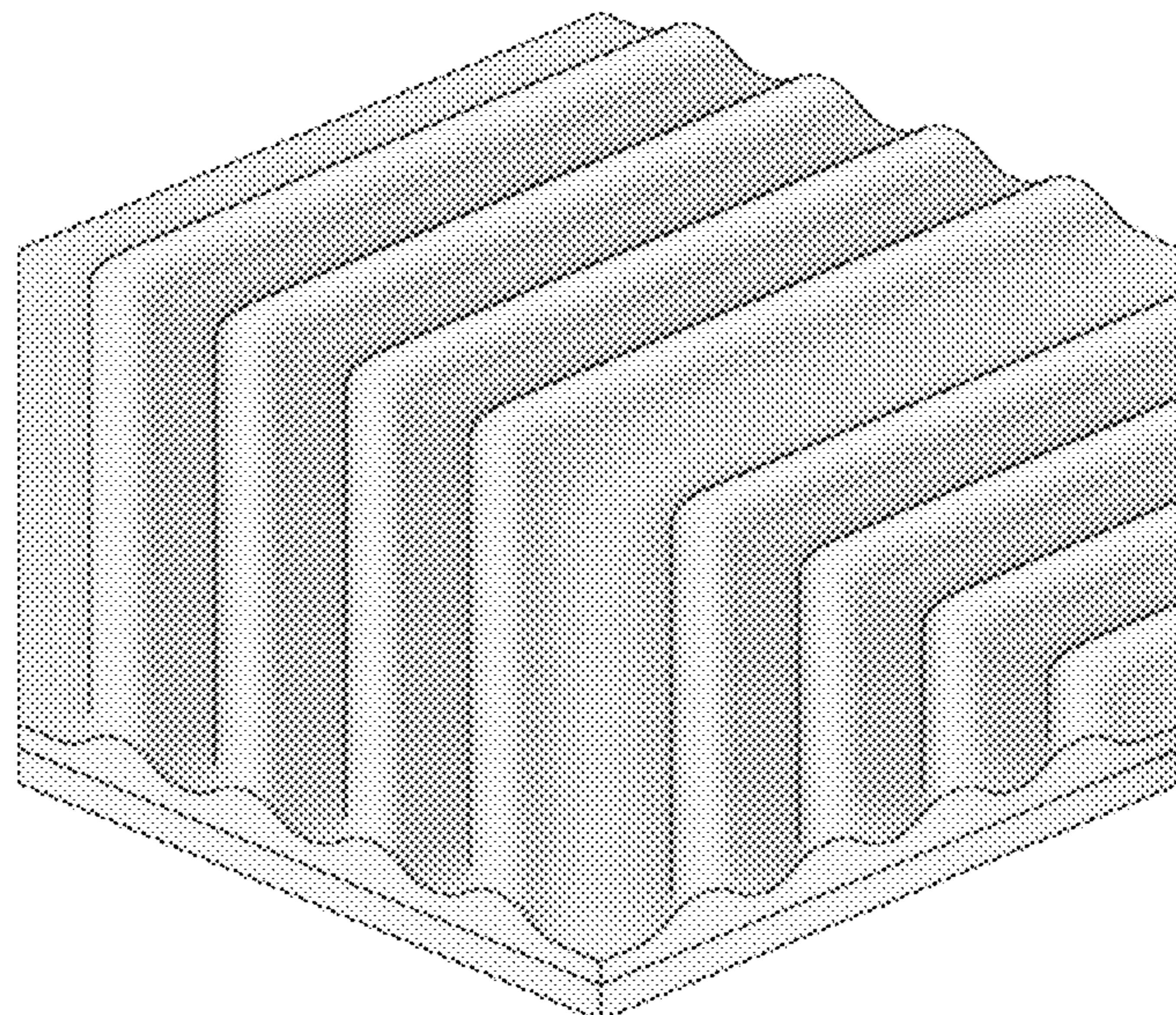
(57) **CLAIM**

The new ornamental design for an acoustic panel, as shown
and described.

DESCRIPTION

FIG. 1 is a perspective view of the acoustic panel, showing
my new design; and,
FIG. 2 is a front view of the acoustic panel as shown in FIG.
1.

1 Claim, 2 Drawing Sheets



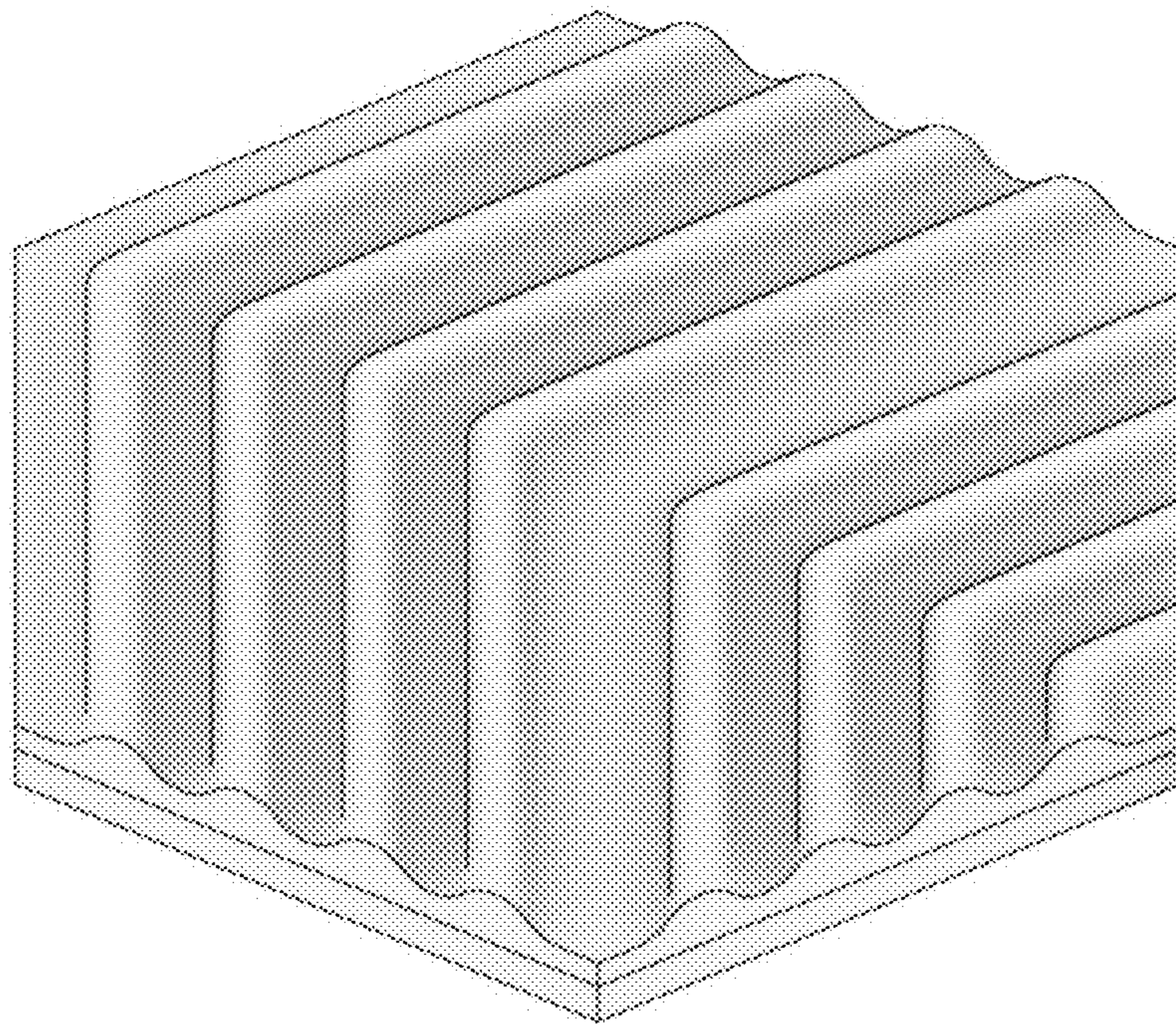


FIG. 1

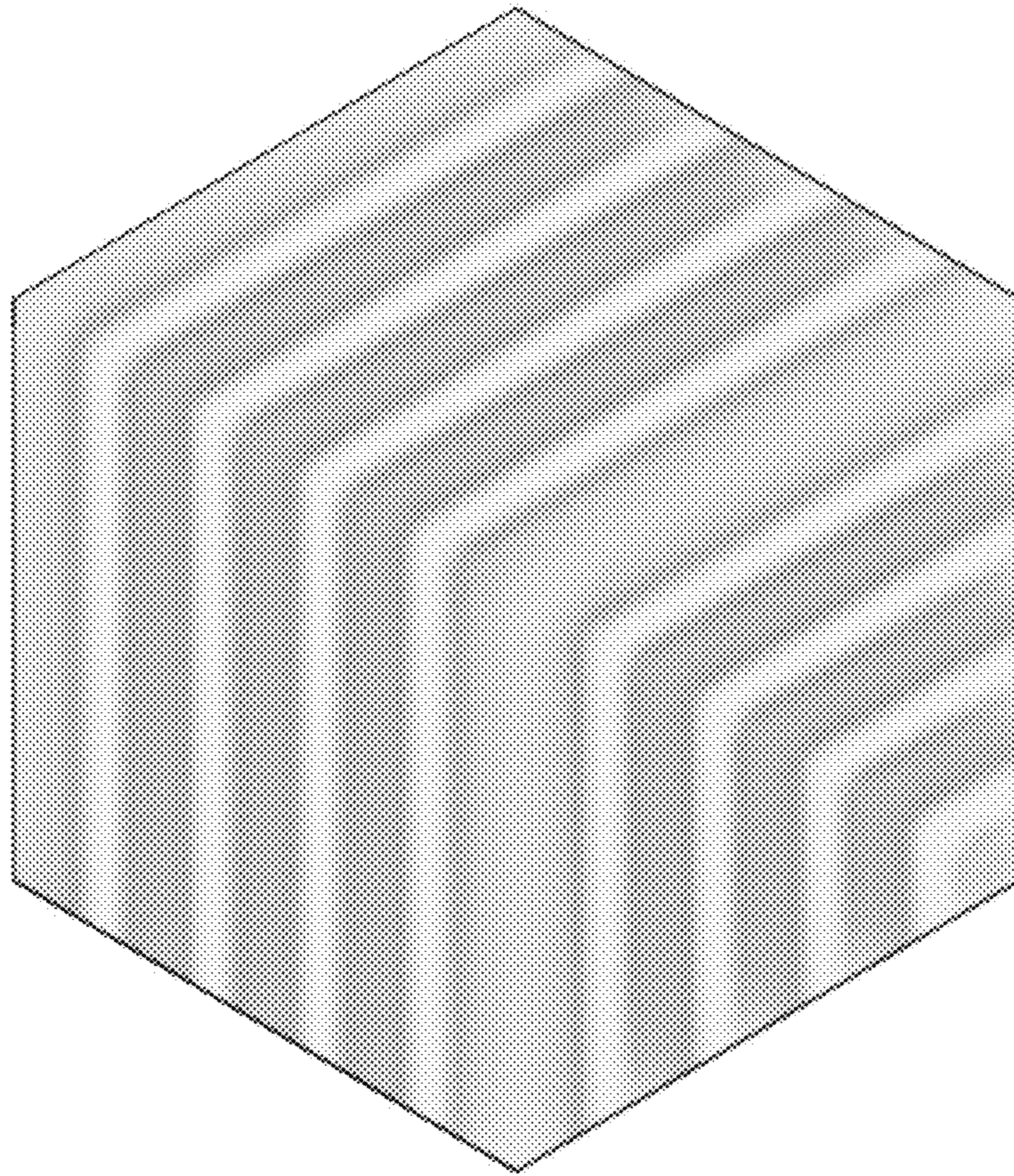


FIG. 2