



US00D943779S

(12) **United States Design Patent** (10) **Patent No.:** **US D943,779 S**
Lette (45) **Date of Patent:** **** Feb. 15, 2022**

(54) **FAÇADE PANEL**

D342,326 S * 12/1993 Hansson D25/119
D454,648 S * 3/2002 Shaw D25/102
6,834,468 B1 * 12/2004 Kroie E04B 1/6141
52/590.2

(71) Applicant: **BLUESCOPE STEEL LIMITED,**
Melbourne (AU)

(Continued)

(72) Inventor: **Michael Lette,** Kingsford (AU)

Primary Examiner — Doris Clark

(73) Assignee: **BLUESCOPE STEEL LIMITED,**
Melbourne (AU)

(74) *Attorney, Agent, or Firm* — Nyemaster Goode, P.C.

(**) Term: **15 Years**

(57) **CLAIM**

(21) Appl. No.: **29/738,766**

I claim the ornamental design for a façade panel, as shown and described.

(22) Filed: **Jun. 19, 2020**

DESCRIPTION

(30) **Foreign Application Priority Data**

Dec. 19, 2019 (AU) 201917273

(51) **LOC (13) Cl.** **25-01**

(52) **U.S. Cl.**
USPC **D25/138; D25/119**

(58) **Field of Classification Search**
USPC D25/138, 139, 119
CPC E04C 2/00; E04C 2/02; E04C 2/30; E04C
2/384; E04C 2/38; E04C 2/08; E04C
2/543; E04C 2/40; E04C 2002/004; E04C
2002/001; E04C 2002/005; E04F 13/077;
E04F 13/075; E04F 13/076; E04F
13/0867; E04F 13/073; E04F 13/0733;
E04F 13/00; E04F 13/007; E04F 13/07;
E04F 13/072

See application file for complete search history.

FIG. 1 is a front view of a façade panel of the present invention;
FIG. 2 is a rear view of a façade panel of the present invention;
FIG. 3 is a right side view of a façade panel of the present invention;
FIG. 4 is left side view of a façade panel of the present invention;
FIG. 5 is a top view of a façade panel of the present invention;
FIG. 6 is a bottom view of a façade panel of the present invention;
FIG. 7 is a front perspective view of a façade panel of the present invention;
FIG. 8 is an enlarged view of region 8 in FIG. 1; and,
FIG. 9 is an enlarged view of region 9 in FIG. 7.

The broken lines in the figures are for contextual purposes or show the environment and form no part of the claimed design.

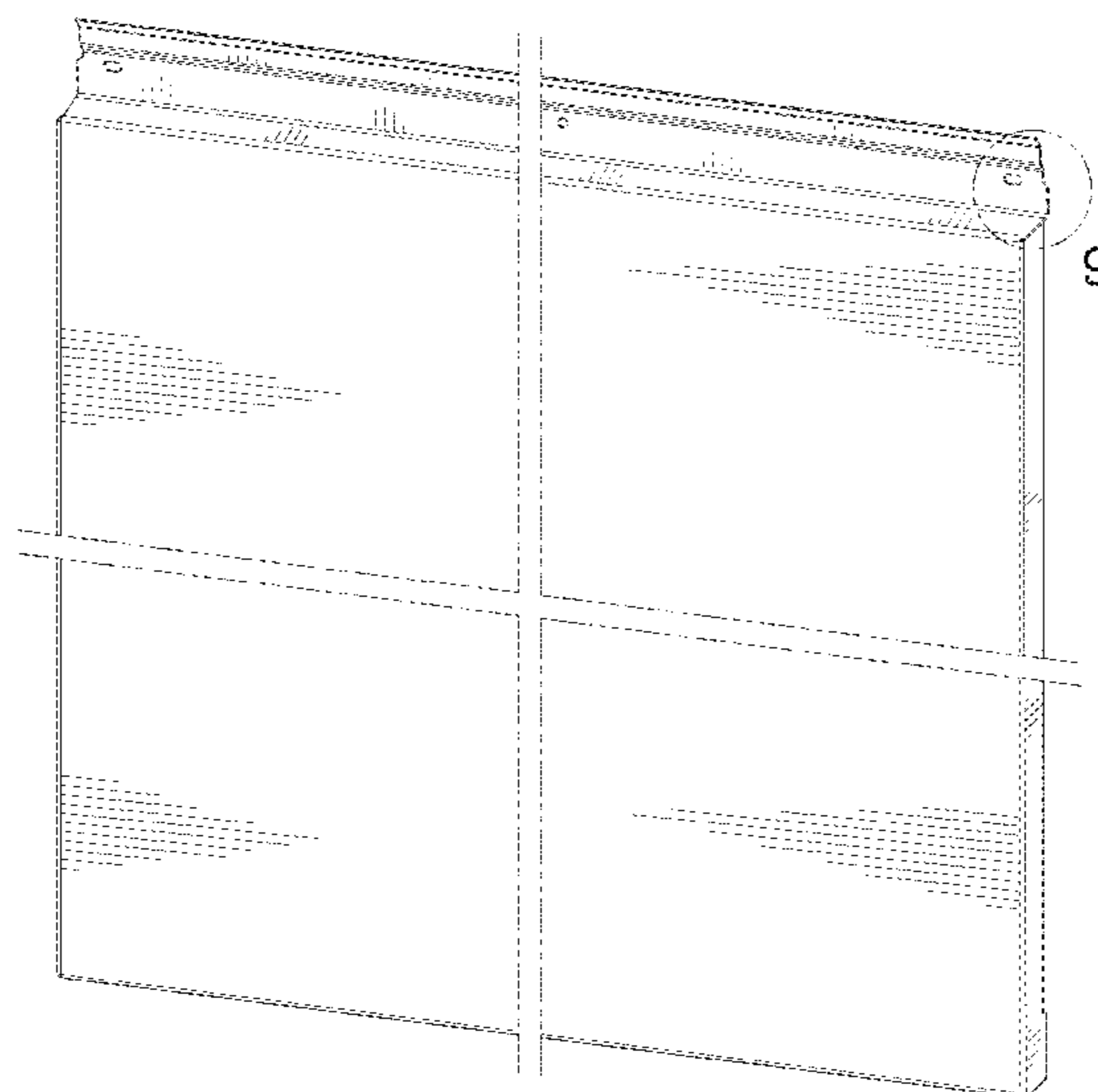
The portion between the dashed break lines in the drawings are broken away to indicate no particular length or width of the façade panel and such pairs of dashed break lines themselves form no part of the claimed design. The material that may be visible between the dashed break lines has been removed for clarity. The façade panel is of indefinite height and width as shown by dashed break lines in the drawings.

(56) **References Cited**

U.S. PATENT DOCUMENTS

3,237,361 A * 3/1966 Norman, Jr. E04F 13/0864
52/508
4,962,612 A * 10/1990 Kuwano E04C 2/08
52/506.06
5,239,798 A * 8/1993 Saito E04B 2/92
52/235

1 Claim, 7 Drawing Sheets



(56)

References Cited

U.S. PATENT DOCUMENTS

6,912,822 B2 * 7/2005 Vos E04C 2/08
52/522
D642,288 S * 7/2011 Jenny D25/138
D705,447 S * 5/2014 Chrien D25/36
8,898,977 B2 * 12/2014 Gulino E04F 13/185
52/287.1
9,032,676 B2 * 5/2015 Yarmo E04F 13/0733
52/288.1
9,482,010 B2 * 11/2016 Kartler E04F 13/0733
9,765,513 B2 * 9/2017 Stucky E04F 19/024
9,926,707 B1 * 3/2018 Knight, Jr. E04F 13/12
10,422,125 B2 * 9/2019 Judd E04B 1/61

* cited by examiner

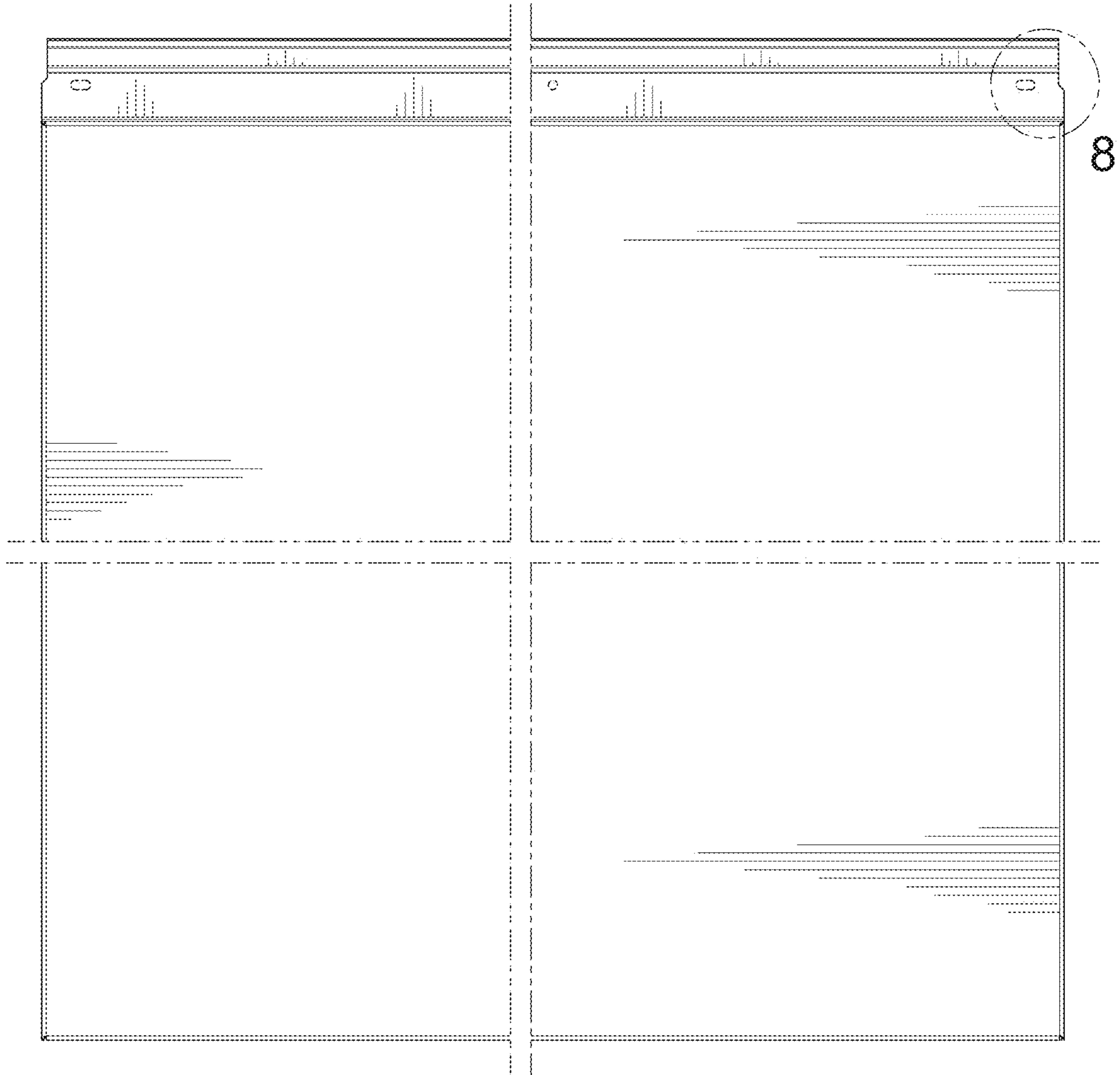


Figure 1

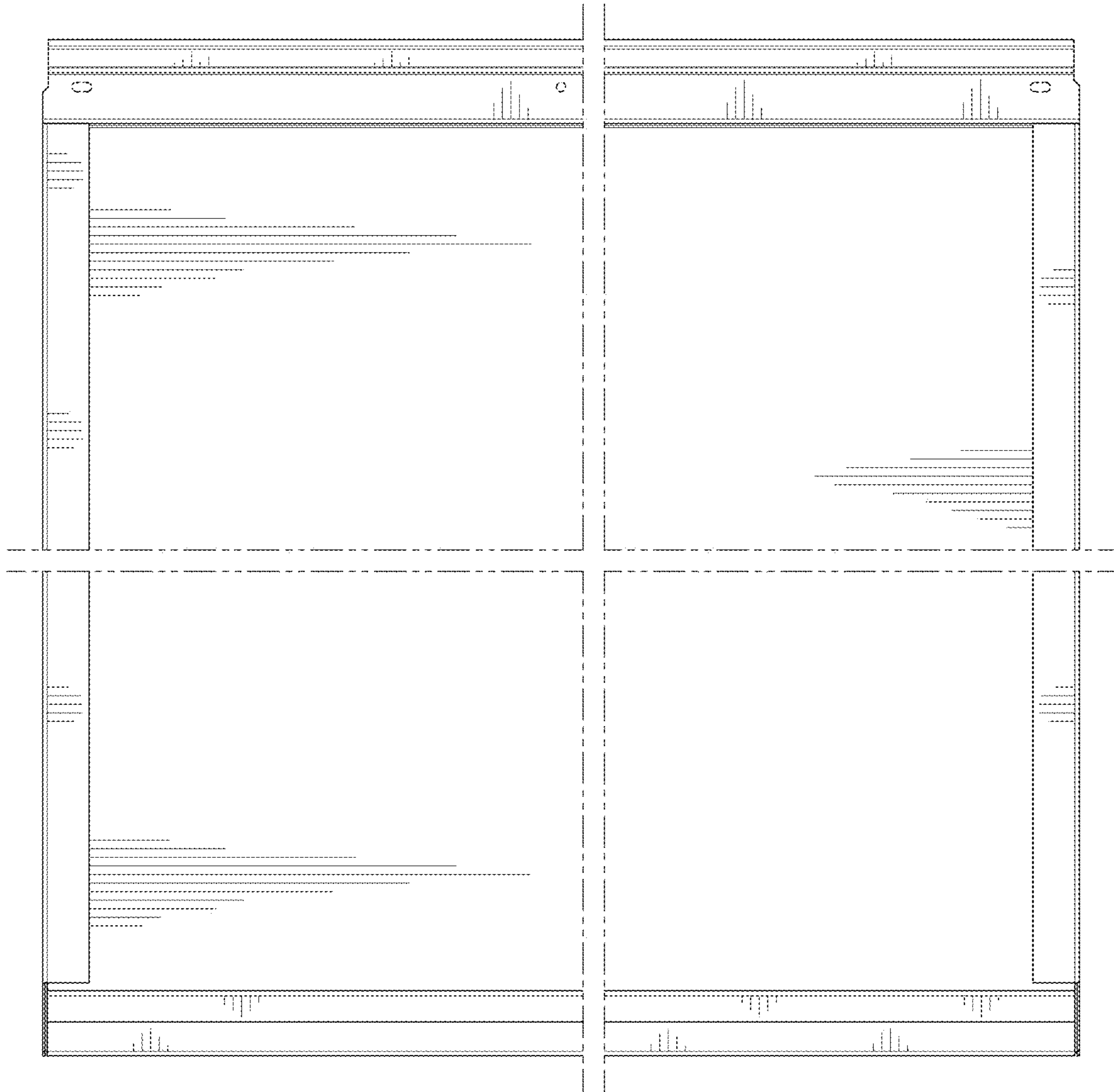


Figure 2

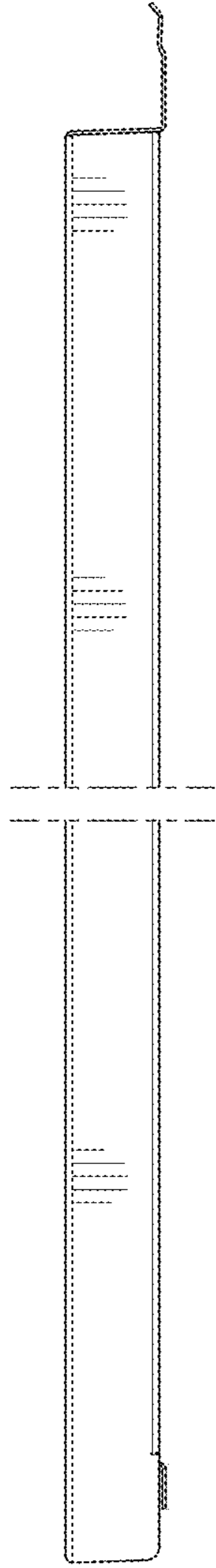


Figure 3

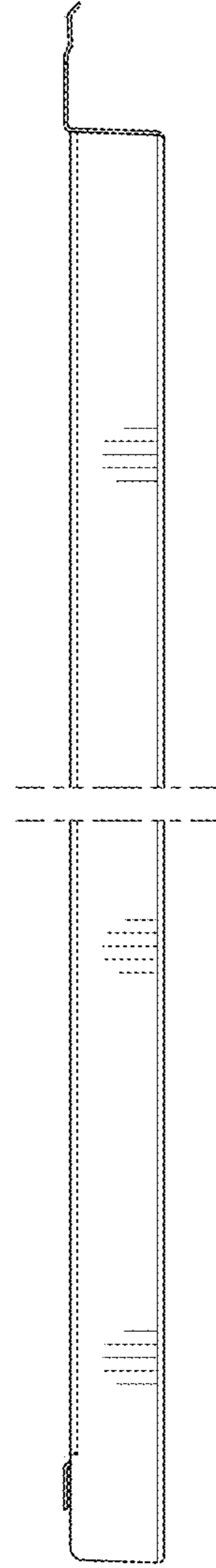


Figure 4

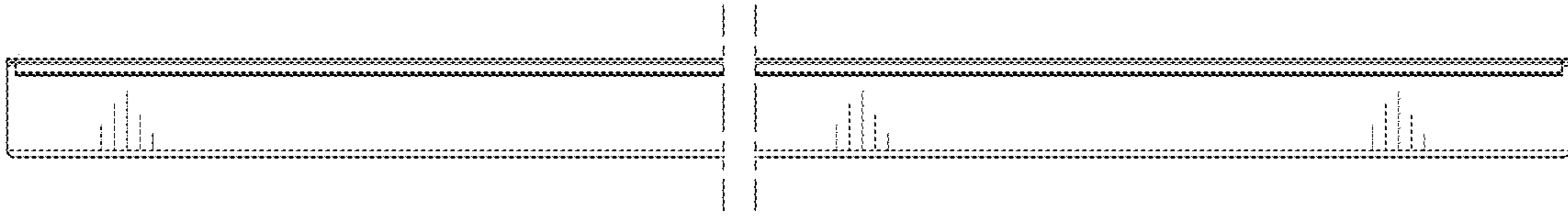


Figure 5

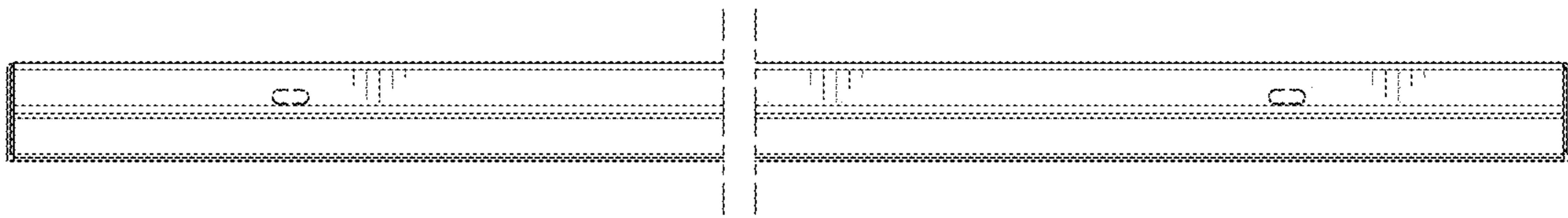


Figure 6

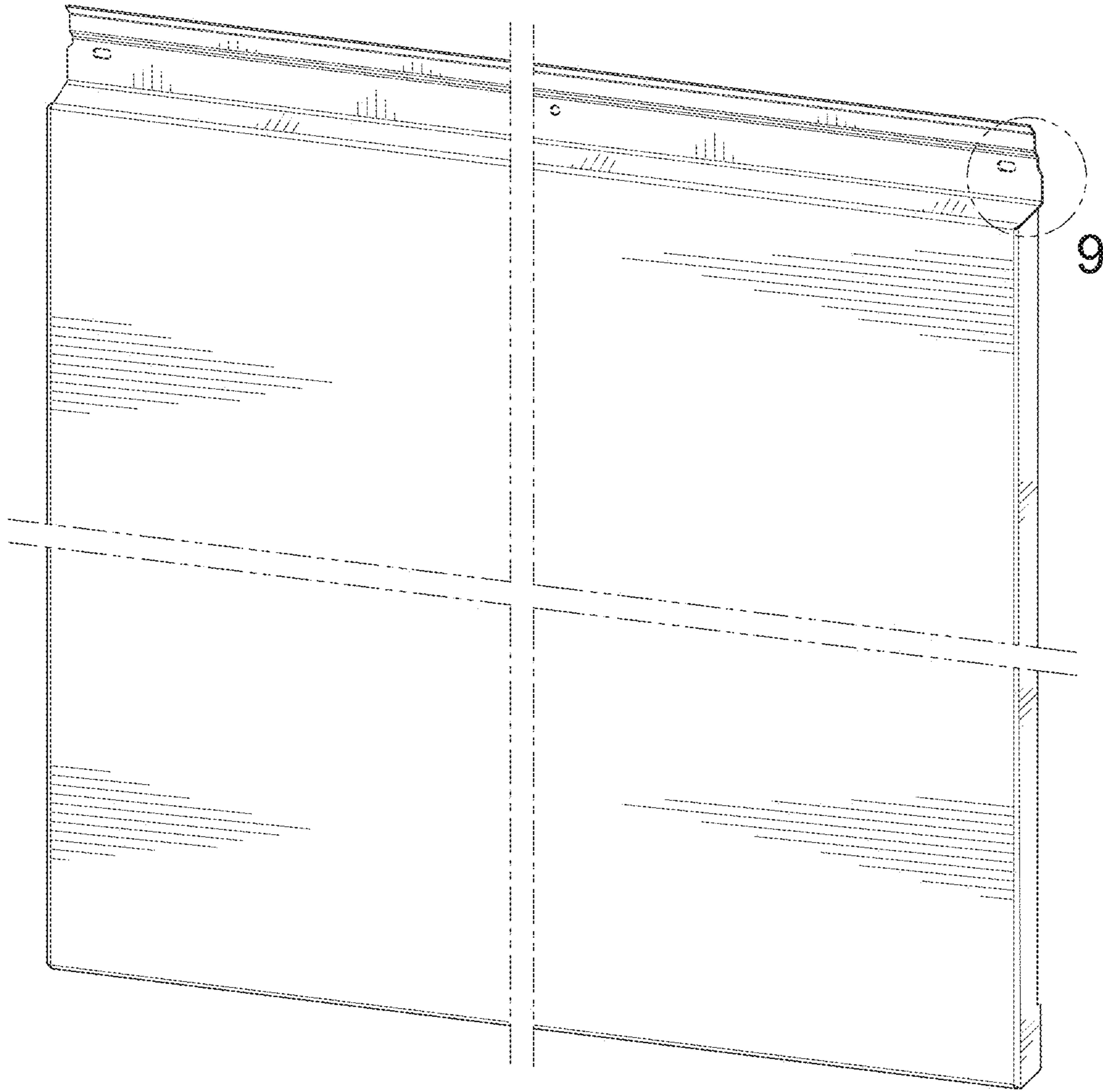


Figure 7

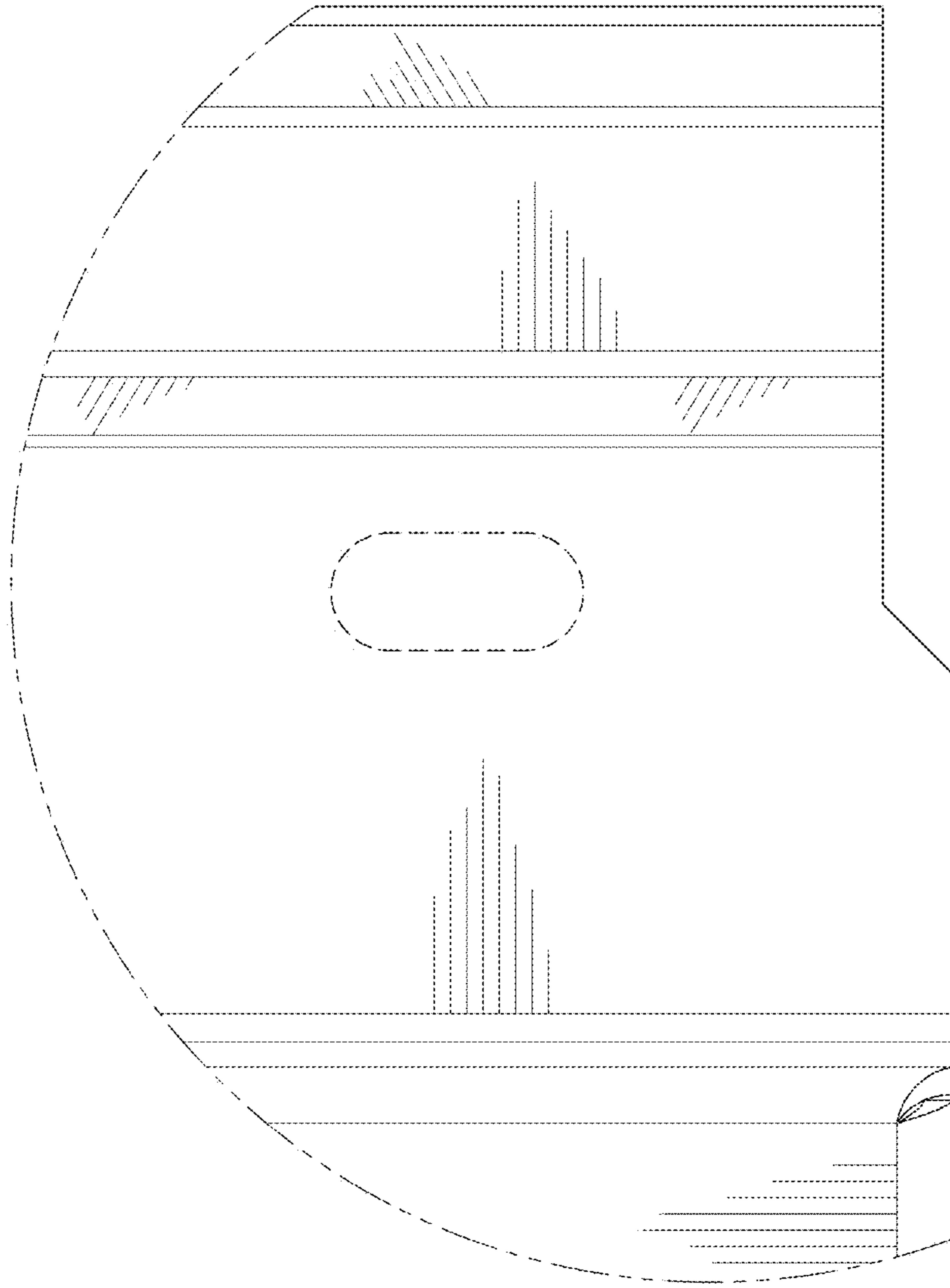


Figure 8

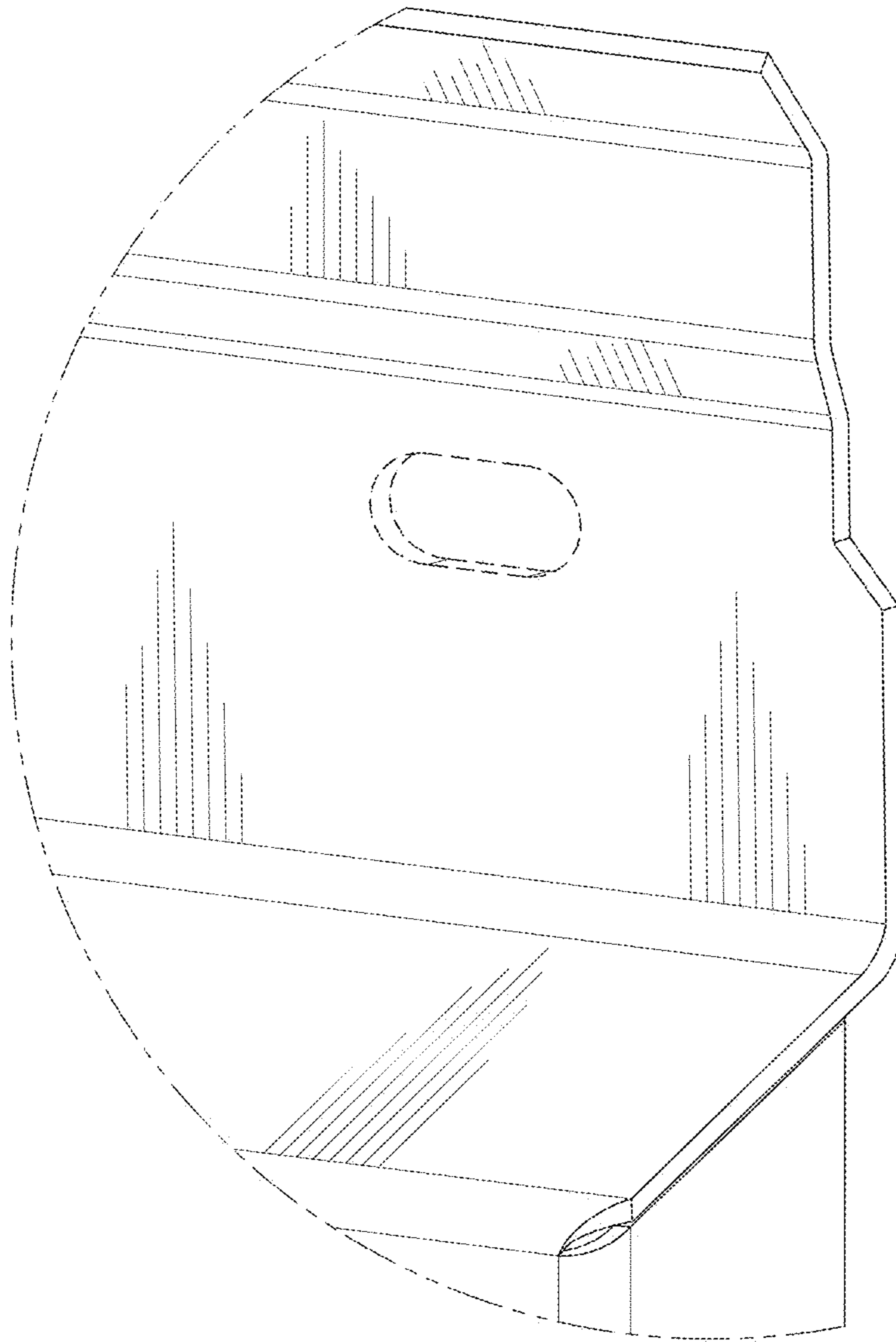


Figure 9