



US00D943776S

(12) **United States Design Patent**
Baltz, Jr.

(10) **Patent No.:** **US D943,776 S**
(45) **Date of Patent:** **** Feb. 15, 2022**

(54) **CAULK BEAD FOR FIBER CEMENT
DEVICE**

(71) Applicant: **Alabama Metal Industries
Corporation**, Birmingham, AL (US)

(72) Inventor: **Gary George Baltz, Jr.**, Mountain
Brook, AL (US)

(73) Assignee: **ALABAMA METAL INDUSTRIES
CORPORATION**, Birmingham, AL
(US)

(**) Term: **15 Years**

(21) Appl. No.: **29/675,628**

(22) Filed: **Jan. 4, 2019**

(51) **LOC (13) Cl.** **25-01**

(52) **U.S. Cl.**
USPC **D25/136; D25/164**

(58) **Field of Classification Search**
USPC D25/136, 137, 164
CPC E04F 19/02; E04F 19/061; E04F 19/062;
E04F 19/063; E04F 13/06; E04F 13/073;
E04F 13/0733
See application file for complete search history.

(56) **References Cited**

U.S. PATENT DOCUMENTS

D26,201 S	10/1896	Turner
1,170,968 A	2/1916	Elgin
1,204,955 A	11/1916	Day
2,151,605 A	3/1939	Lavering
2,272,762 A	2/1942	Awbrey
D151,022 S	9/1948	Weber et al.
3,375,623 A	4/1968	Buhler
3,383,818 A	5/1968	Tatum
3,606,714 A	9/1971	Arnett
3,667,174 A	6/1972	Arnett
3,754,367 A	8/1973	O'Konski et al.

3,964,220 A	6/1976	Rutkowski et al.
4,624,087 A	11/1986	Schneller
4,651,488 A	3/1987	Nicholas et al.
4,785,601 A	11/1988	Tupman
D299,963 S	2/1989	Callahan
5,063,720 A	11/1991	Bifano et al.
5,263,294 A	11/1993	Koenig et al.
D344,596 S	2/1994	McArthur
5,423,154 A	6/1995	Maylon et al.
5,579,617 A	12/1996	Schiedegger
5,579,623 A	12/1996	Stark et al.
5,761,866 A	6/1998	Maylon
6,338,229 B1 *	1/2002	Botzen E04F 13/06 52/287.1
D456,528 S	4/2002	Maylon et al. (Continued)

Primary Examiner — Llorelys Martinez

(74) *Attorney, Agent, or Firm* — Honigman LLP

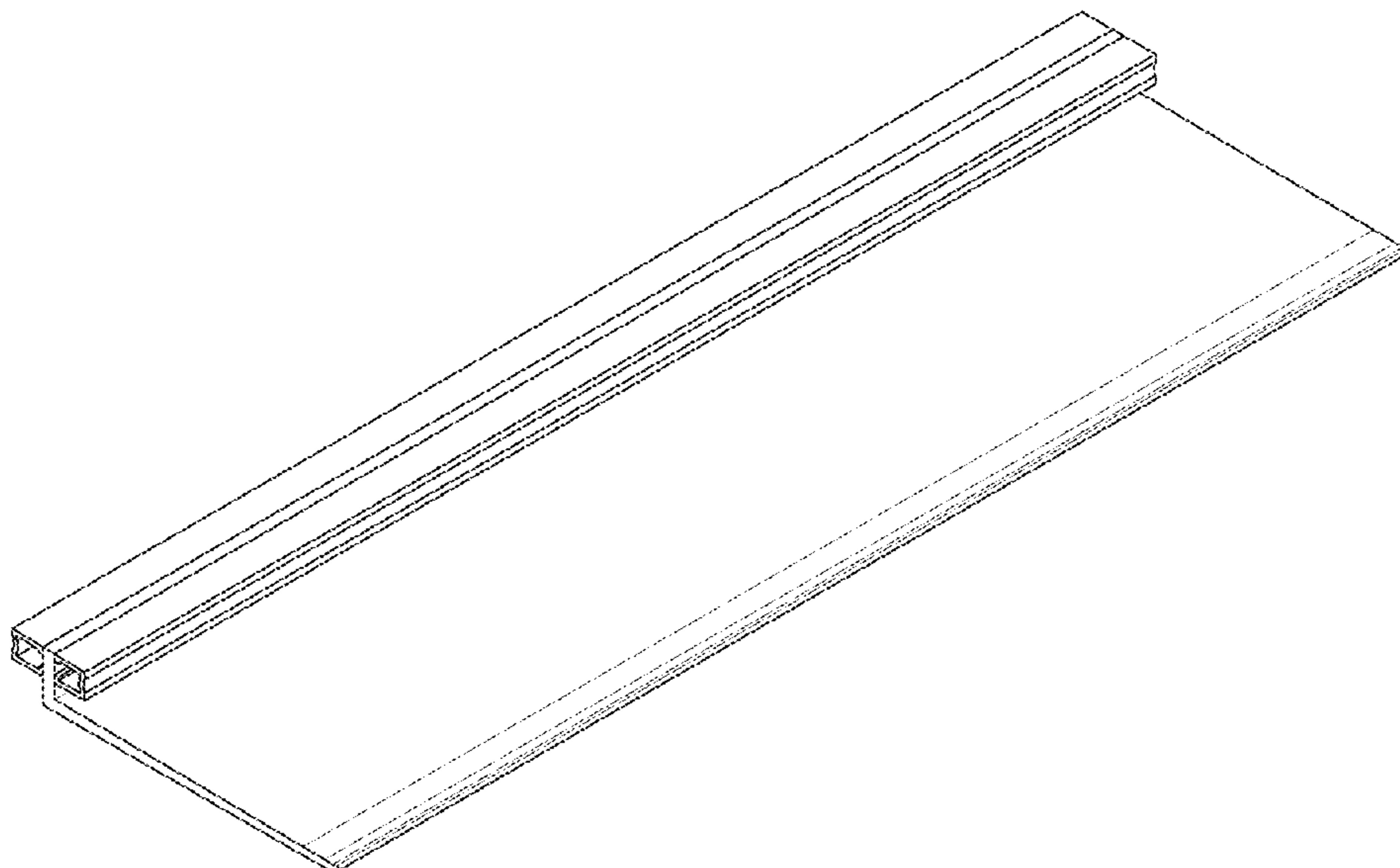
(57) **CLAIM**

The ornamental design for a caulk bead for fiber cement device, as shown and described.

DESCRIPTION

FIG. 1 is a top front perspective view of a caulk bead for fiber cement device showing my new design;
 FIG. 2 is a front view of the caulk bead for fiber cement device;
 FIG. 3 is a back view of the caulk bead for fiber cement device;
 FIG. 4 is a left side view of the caulk bead for fiber cement device;
 FIG. 5 is a right side view of the caulk bead for fiber cement device;
 FIG. 6 is a top view of the caulk bead for fiber cement device;
 FIG. 7 is a bottom view of the caulk bead for fiber cement device; and,
 FIG. 8 is an top back perspective view of the back side of the caulk bead for fiber cement device.

1 Claim, 5 Drawing Sheets



(56)

References Cited

U.S. PATENT DOCUMENTS

D459,007 S 6/2002 Campacci
 D471,991 S * 3/2003 Mayion D25/119
 D477,420 S 7/2003 Butcher
 6,609,341 B2 8/2003 Maylon et al.
 7,406,805 B1 * 8/2008 Larson E04F 13/06
 52/364
 7,634,883 B1 12/2009 Larson
 8,584,416 B2 11/2013 Chenier
 D700,717 S 3/2014 Campacci
 D703,306 S 4/2014 Little
 D703,307 S 4/2014 Little
 D740,969 S * 10/2015 Di Marzio D25/164
 D750,809 S * 3/2016 Shaw D25/136
 D761,971 S 7/2016 Apanovich et al.
 D762,310 S 7/2016 Apanovich
 D787,091 S 5/2017 Singh
 D797,956 S * 9/2017 Shaw D25/136
 D800,344 S 10/2017 Apanovich
 D800,921 S 10/2017 Apanovich
 D815,757 S 4/2018 Braun
 D835,813 S * 12/2018 Lee D25/136

D839,454 S * 1/2019 Ziegan D25/164
 D842,496 S 3/2019 Apanovich
 D861,196 S * 9/2019 Apanovich D25/164
 D872,905 S * 1/2020 Jones D25/164
 D904,645 S * 12/2020 Reed D25/164
 D904,646 S * 12/2020 Reed D25/164
 2005/0115189 A1 6/2005 Leffler
 2008/0104918 A1 5/2008 Gleeson
 2008/0148672 A1 6/2008 Monteer
 2008/0263971 A1 10/2008 Maziarz
 2009/0183453 A1 7/2009 Koessler
 2013/0104481 A1 5/2013 Urban, Jr. et al.
 2016/0340908 A1 * 11/2016 Apanovich E04F 13/06
 2017/0254091 A1 9/2017 Friel
 2018/0112414 A1 * 4/2018 Maziarz E04F 13/06
 2019/0136549 A1 * 5/2019 Maziarz E04F 19/061
 2019/0161960 A1 5/2019 Baltz, Jr
 2019/0194954 A1 6/2019 Baltz, Jr
 2019/0292791 A1 9/2019 Friel
 2020/0063432 A1 2/2020 Baltz, Jr
 2020/0063446 A1 2/2020 Baltz, Jr
 2020/0240153 A1 * 7/2020 Maziarz E04F 19/061
 2021/0180335 A1 * 6/2021 Maziarz E04F 19/02

* cited by examiner

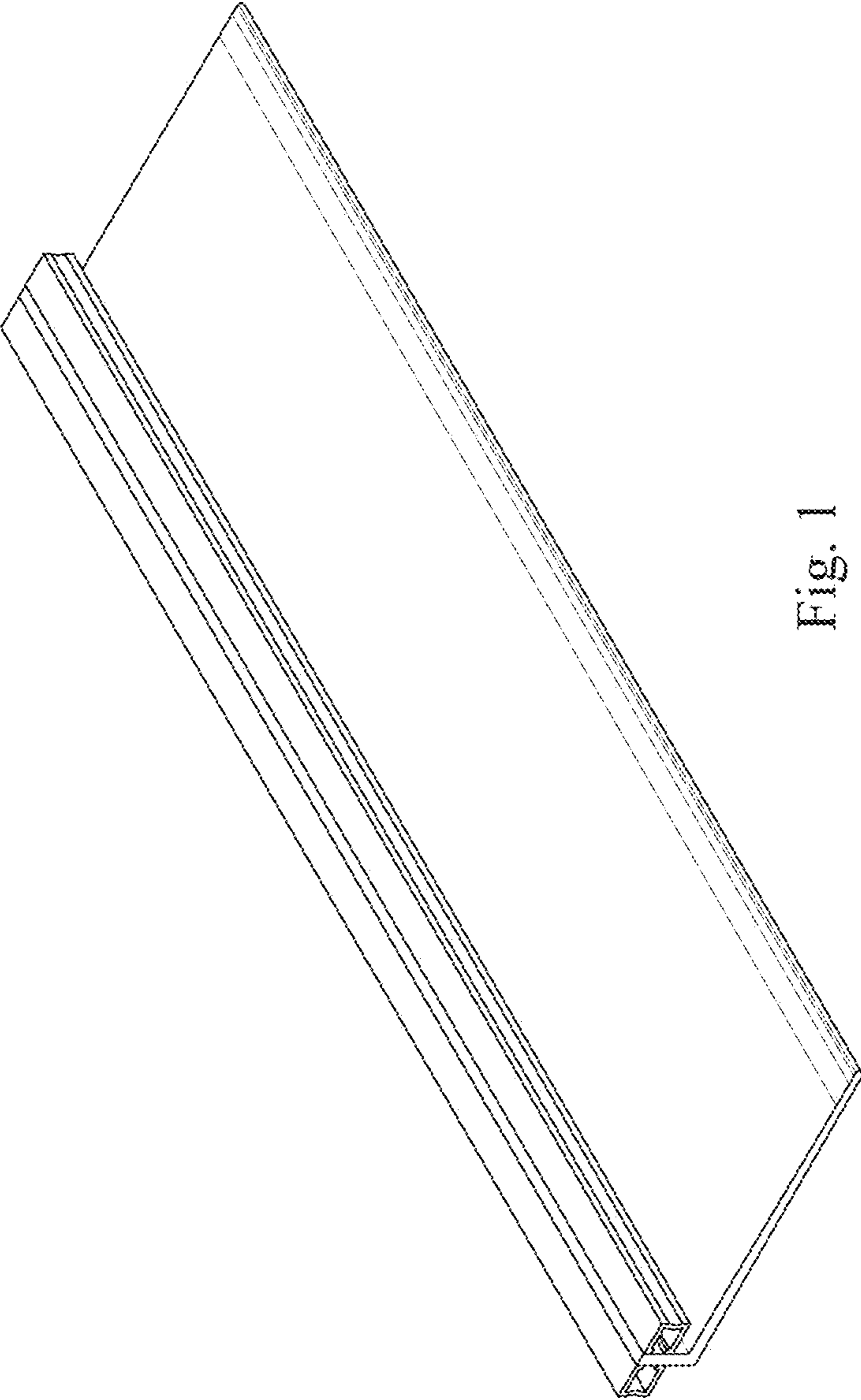


Fig. 1

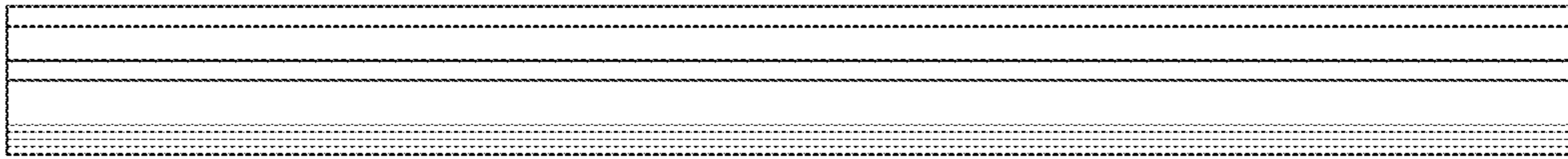


Fig. 2

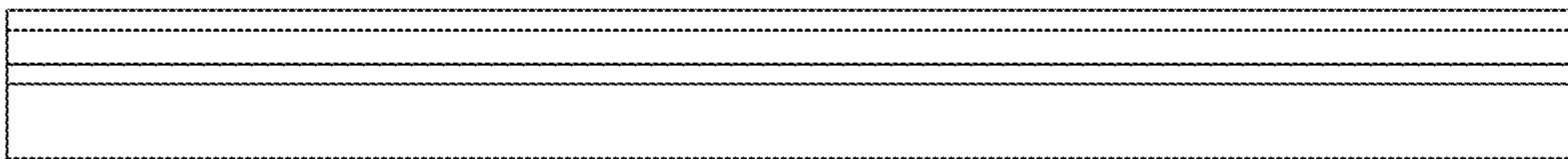


Fig. 3

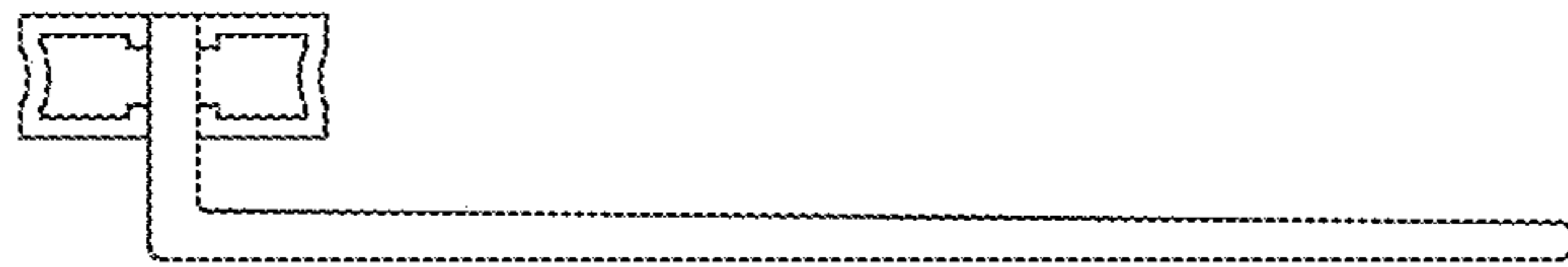


Fig. 4

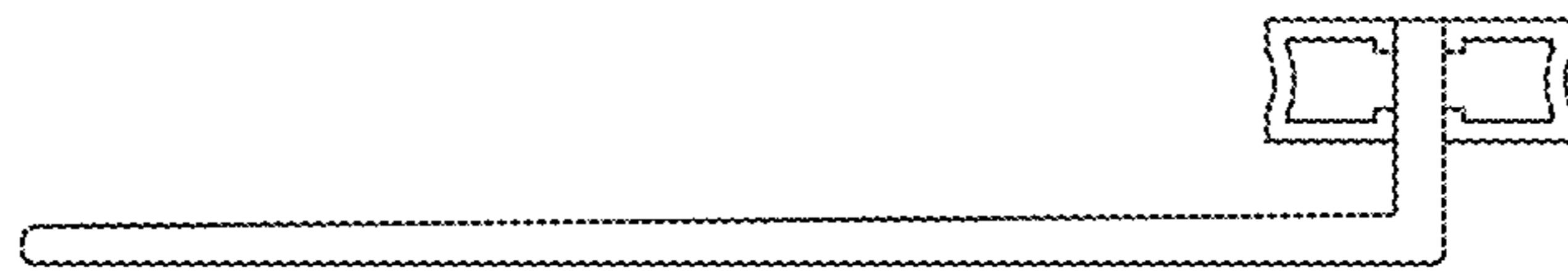


Fig. 5

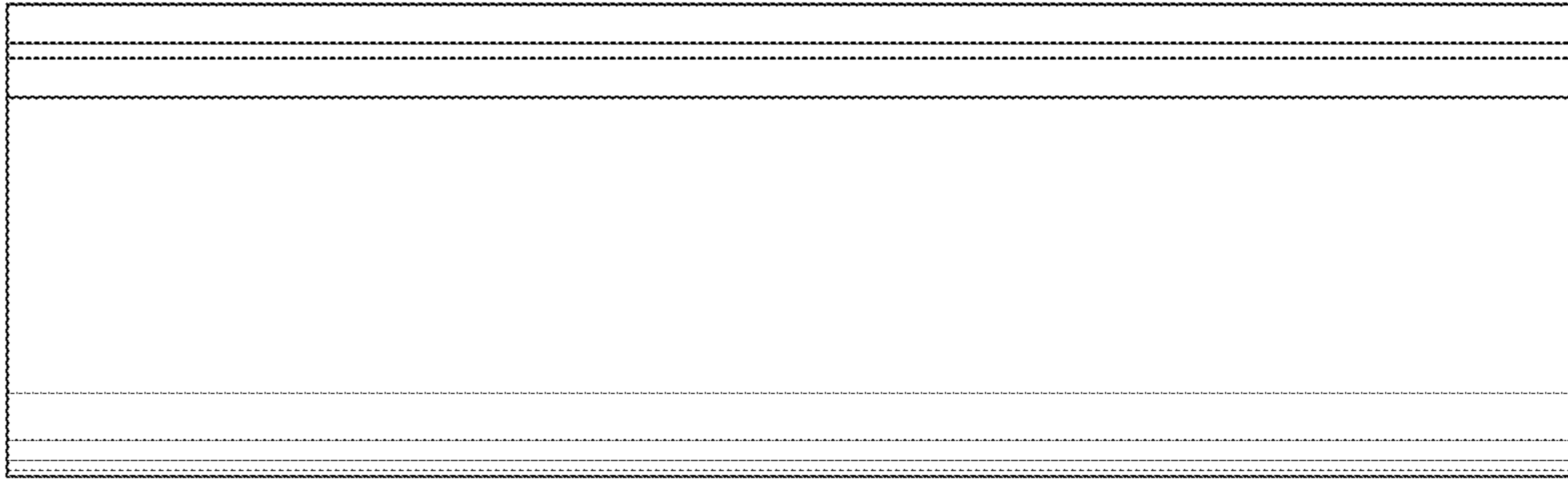


Fig. 6

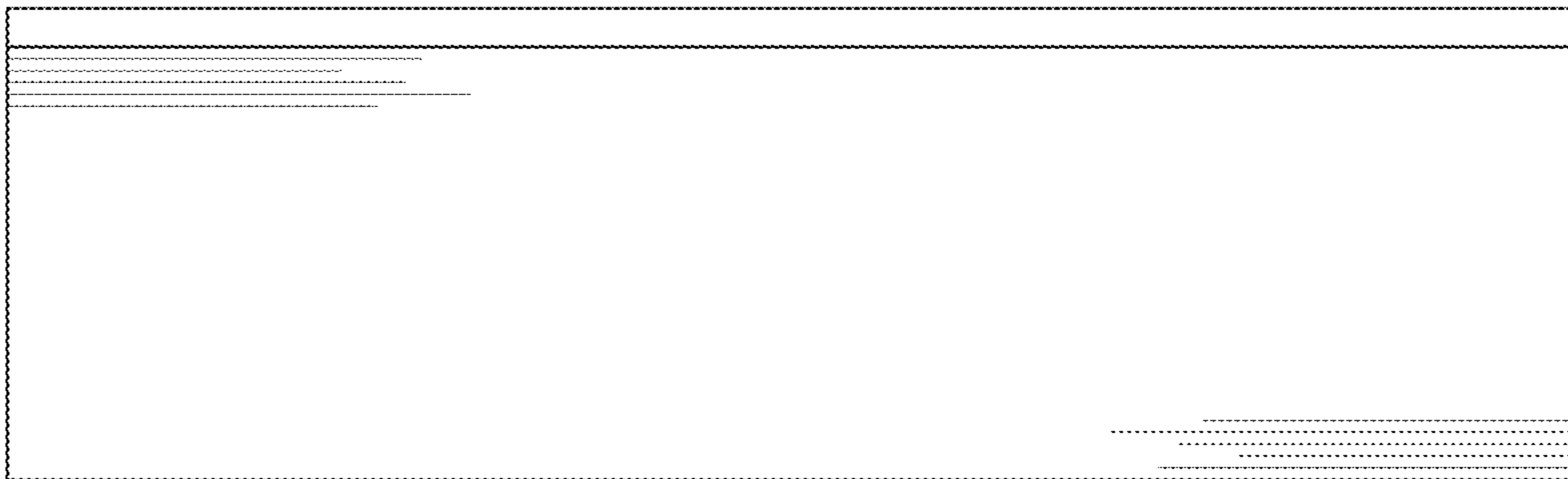


Fig. 7

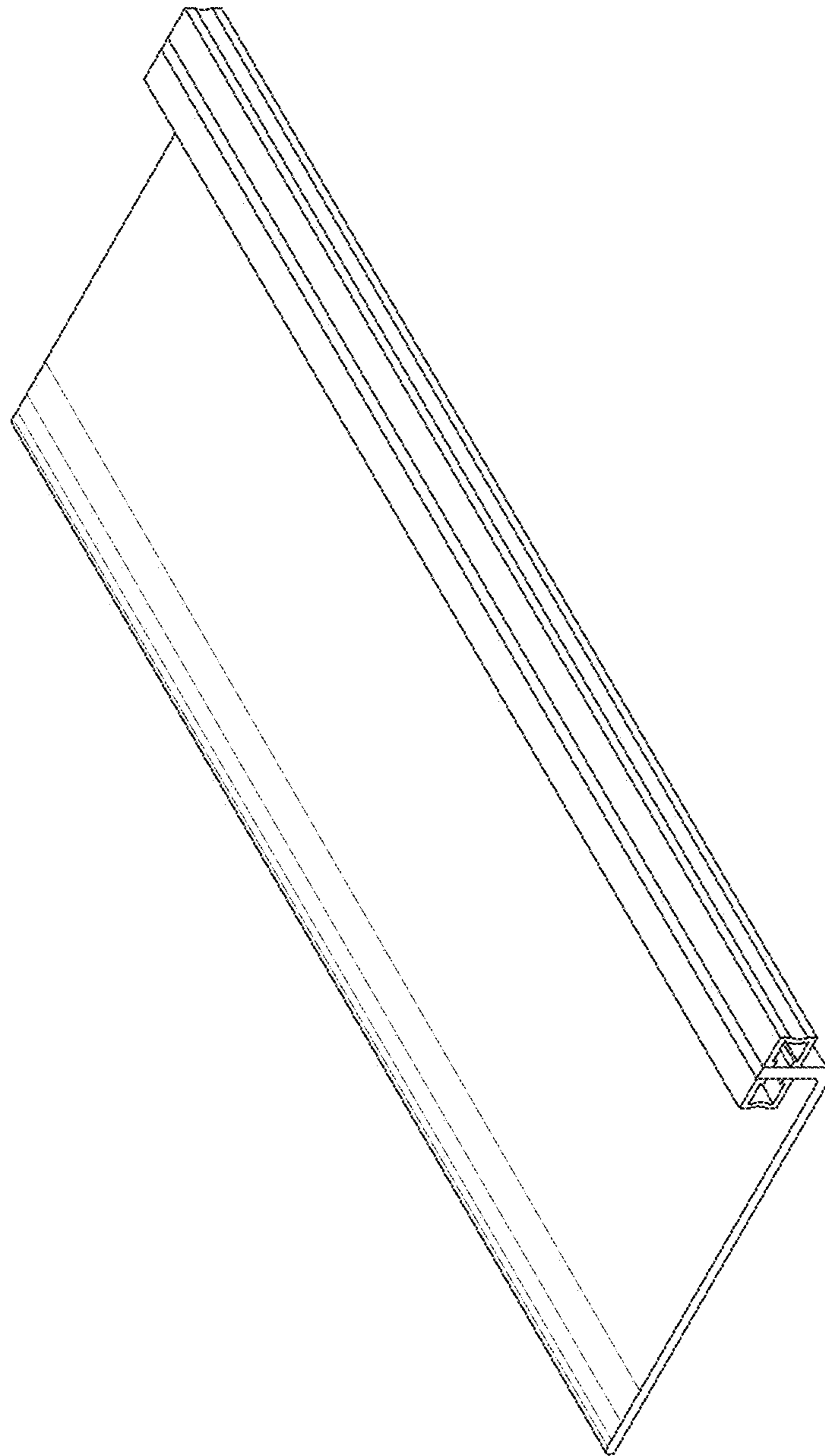


Fig. 8