

US00D943775S

(12) **United States Design Patent** (10) **Patent No.:** **US D943,775 S**
DeJong (45) **Date of Patent:** **** Feb. 15, 2022**

(54) **POST ELEMENT FOR AN OUTDOOR ENCLOSURE**

FOREIGN PATENT DOCUMENTS

(71) Applicant: **New England Arbors Canada, Inc.**,
Sarnia (CA)

CN 302892687 7/2014
CN 303703963 * 6/2016
JP D1335137 7/2008

(72) Inventor: **Eddie James DeJong**, Sarnia (CA)

OTHER PUBLICATIONS

(73) Assignee: **New England Arbors Canada, Inc.**,
Sarnia (CA)

6x6 KH Instructions.indd https://cdn.shopify.com/s/files/1/0414/6737/9878/files/VT17507_VT17607_URBANA_6x6_KH_Instructions_V1.12.pdf?v=1612887209 Aug. 5, 2020 (Year: 2020).*

(**) Term: **15 Years**

(Continued)

(21) Appl. No.: **29/773,180**

Primary Examiner — Leanne Was-Englehart

(22) Filed: **Mar. 8, 2021**

(74) *Attorney, Agent, or Firm* — Trego, Hines & Ladenheim, PLLC

Related U.S. Application Data

(62) Division of application No. 29/685,291, filed on Mar. 27, 2019, now Pat. No. Des. 915,629.

(51) **LOC (13) Cl.** **25-01**

(57) **CLAIM**

(52) **U.S. Cl.**
USPC **D25/126**

I claim the ornamental design for a post element for an outdoor enclosure, as shown and described.

(58) **Field of Classification Search**
USPC D25/55, 61, 119–126, 128, 131, 132
CPC E04H 17/10; E04H 17/14; E04H 17/168;
E04H 12/2269; E04H 12/24; G01B 3/14;
E04F 11/1842; E04B 1/19; E04B 1/1903;
E04B 1/24; E04B 1/2403; E04B 1/40;
E04B 2001/2415; E04B 2001/2421; E04B
2001/2451

DESCRIPTION

See application file for complete search history.

FIG. 1 is a perspective view of a post element for an outdoor enclosure, showing my new design;
FIG. 2 is a front elevational view of the post element for an outdoor enclosure of FIG. 1;
FIG. 3 is a rear elevational view of the post element for an outdoor enclosure of FIG. 1;
FIG. 4 is a right side elevational view of the post element for an outdoor enclosure of FIG. 1;
FIG. 5 is a left side elevational view of the post element for an outdoor enclosure of FIG. 1;
FIG. 6 is a top plan view of the post element for an outdoor enclosure of FIG. 1; and,
FIG. 7 is a bottom plan view of the post element for an outdoor enclosure of FIG. 1.

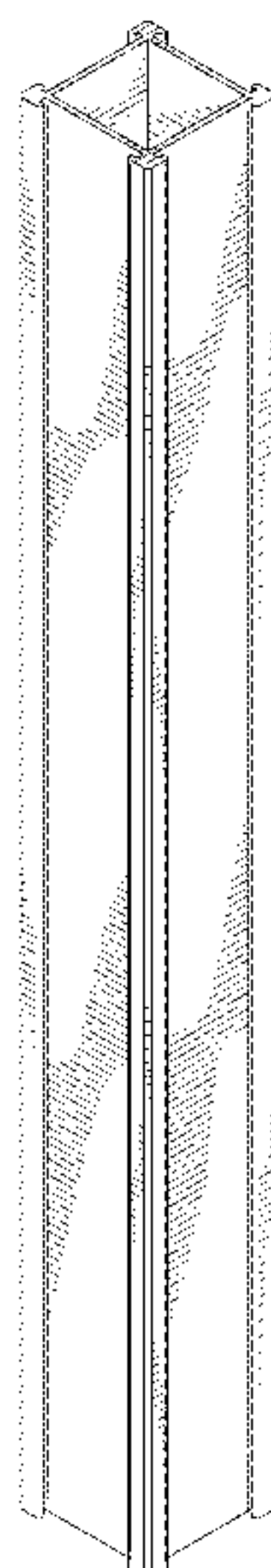
(56) **References Cited**

U.S. PATENT DOCUMENTS

1,129,040 A * 2/1915 McClure F16L 59/022
138/156
3,282,006 A * 11/1966 Paulf E04B 2/76
52/781
D209,416 S * 11/1967 Smith D26/68
3,396,499 A * 8/1968 Biffani E04B 1/2403
52/127.12

1 Claim, 6 Drawing Sheets

(Continued)



(56)

References Cited

U.S. PATENT DOCUMENTS

3,885,882 A * 5/1975 Curti F16B 7/04
 403/297
 D600,829 S * 9/2009 Munakata D25/126
 D600,830 S * 9/2009 Munakata D25/126
 D600,831 S * 9/2009 Munakata D25/126
 7,934,699 B2 * 5/2011 Zell E04H 17/168
 256/24
 8,074,424 B2 * 12/2011 Waters E04C 3/30
 52/834
 D747,127 S * 1/2016 Chang D6/709
 D775,374 S * 12/2016 Walker D25/126
 D787,094 S * 5/2017 Britton D25/126
 D854,710 S * 7/2019 Hendry D25/126
 D873,441 S * 1/2020 Jiang D25/124
 D877,940 S * 3/2020 Hanson D25/126
 D879,326 S * 3/2020 Hendry D25/61
 D881,415 S * 4/2020 Noe D25/56

D881,416 S * 4/2020 Jiang D25/122
 D881,417 S * 4/2020 Britton D25/126
 D902,695 S * 11/2020 Pettey D8/354
 D909,622 S * 2/2021 Carmody A47G 29/1216
 D25/133
 D915,629 S * 4/2021 DeJong D25/126
 2002/0185640 A1 * 12/2002 Heins E04H 17/168
 256/65.01
 2019/0218778 A1 * 7/2019 Jiang E04C 3/32

OTHER PUBLICATIONS

VT17615 Instructions 4x4x11 2Pack V1.11.pdf(1) https://a.sellpoint.net/aNT17615_INSTRUCTIONS_4x4x11_2Pack_V1.11.pdf.pdf?spworld_assetname=0Y09qqAG.pdf&spworld_download=1&spworld_filename=VT17615_Instructions_4x4x11_2PackV1.11.pdf.pdf Aug. 20, 2019 (Year: 2019).

* cited by examiner

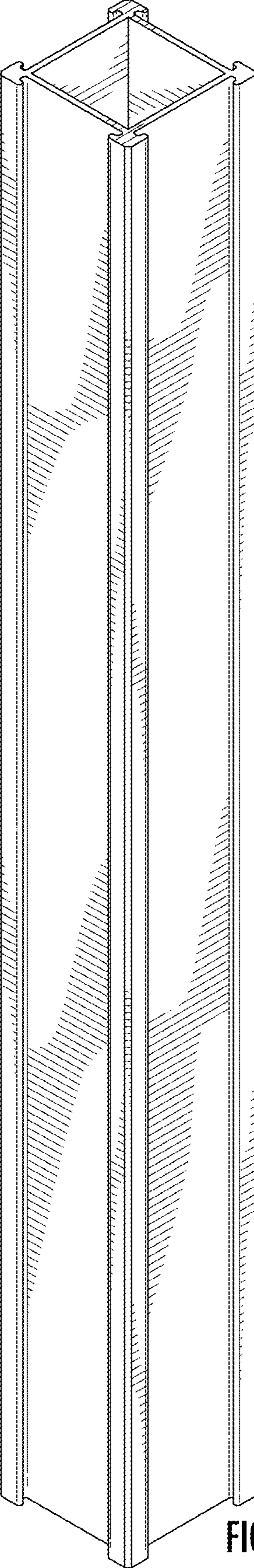


FIG. 1

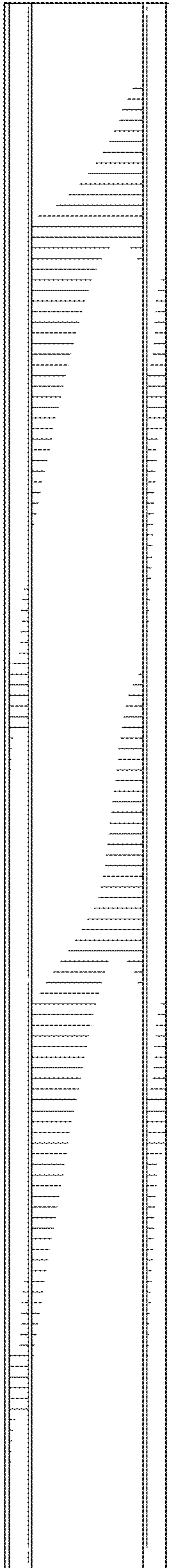


FIG. 2

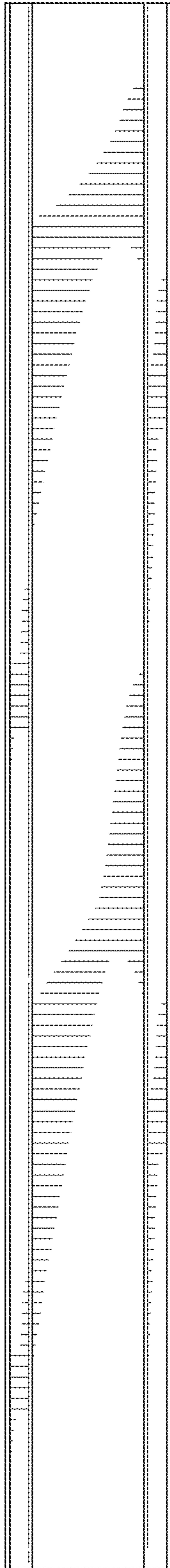


FIG. 3

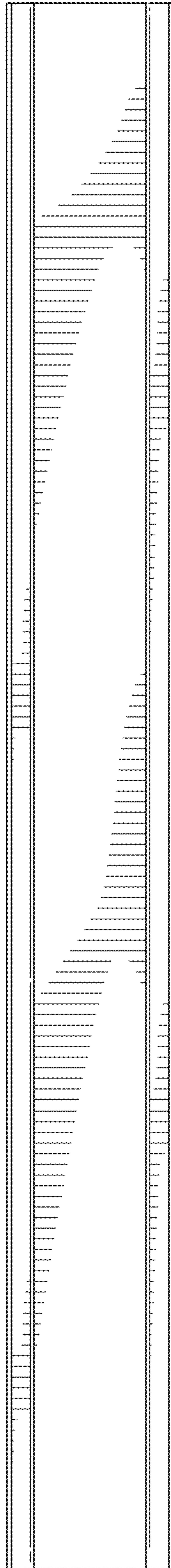


FIG. 4

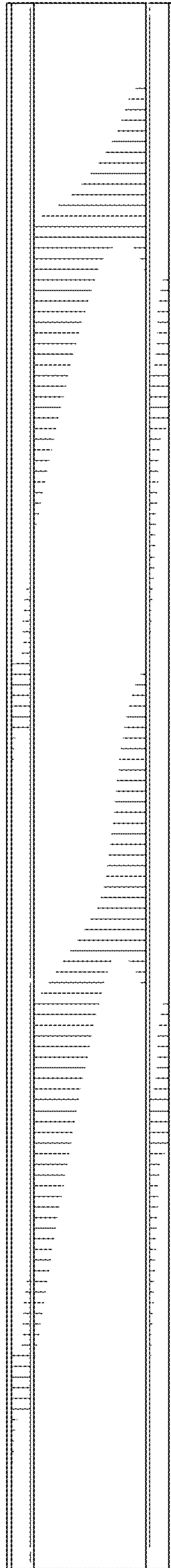


FIG. 5

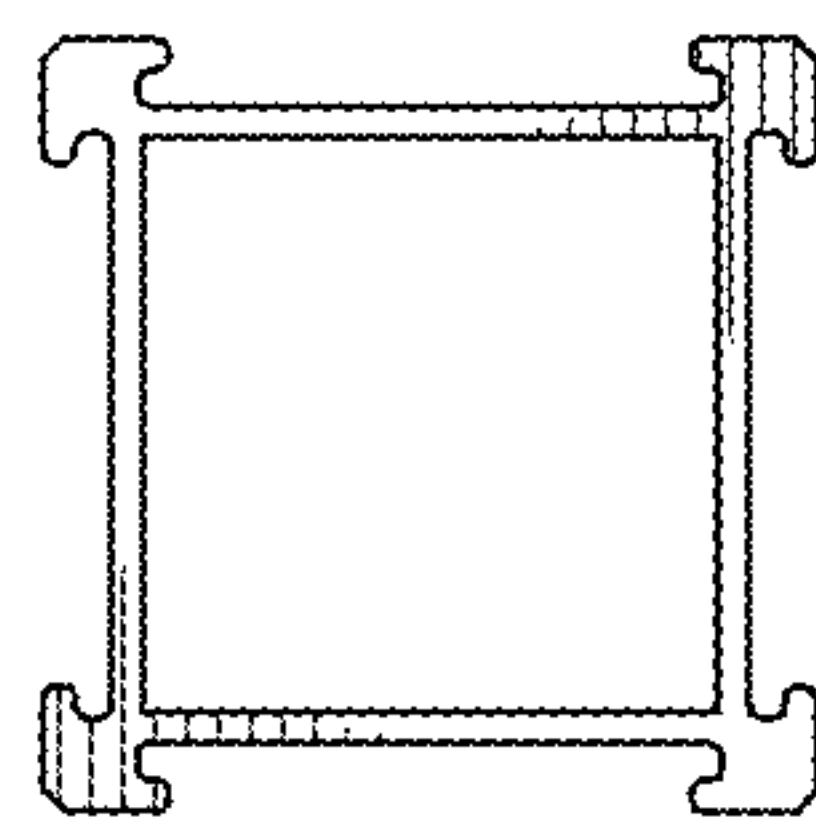


FIG. 6

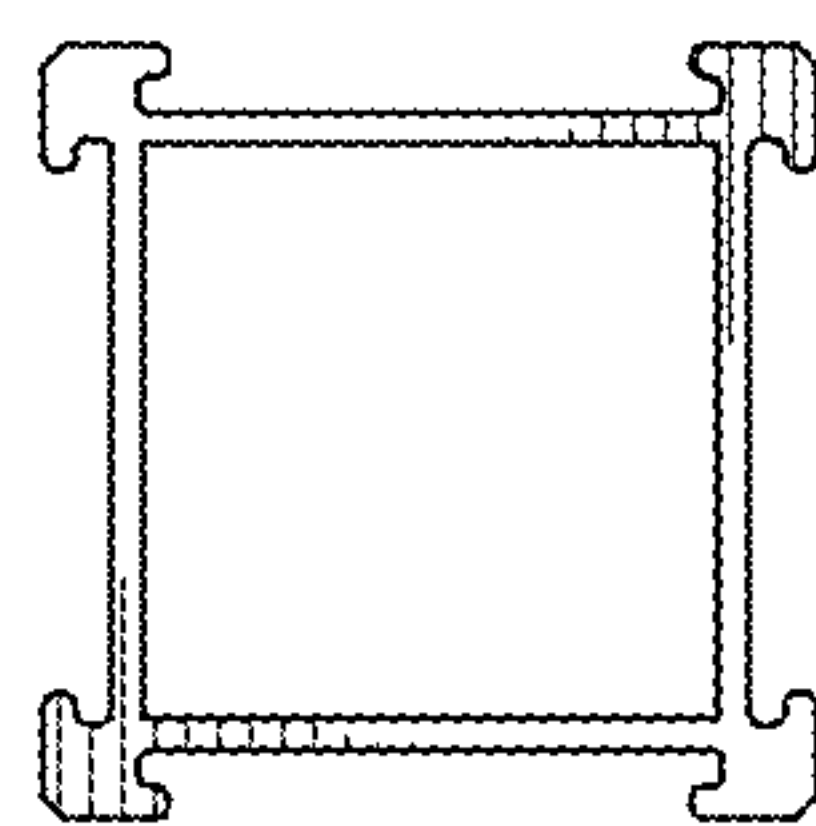


FIG. 7