



US00D943774S

(12) **United States Design Patent** (10) **Patent No.:** **US D943,774 S**
Deeb et al. (45) **Date of Patent:** **** Feb. 15, 2022**

(54) **POOL COPING MEMBER**

(56) **References Cited**

(71) Applicant: **Trojan Leisure Products, LLC**,
Albany, NY (US)

U.S. PATENT DOCUMENTS

(72) Inventors: **Stephen E. Deeb**, Glenmont, NY (US);
Collin J. Sirco, Ballston Lake, NY
(US); **Nicholas V. Filippelli**,
Loudonville, NY (US)

3,335,429 A 8/1967 Arp
3,351,958 A 11/1967 Sheilds
(Continued)

(73) Assignee: **Trojan Leisure Products, LLC**,
Albany, NY (US)

OTHER PUBLICATIONS

“Metric Series Finishing Options” Brochure, Radiant Pools, 2pp.
2015.

(**) Term: **15 Years**

Primary Examiner — Gino Colan
(74) *Attorney, Agent, or Firm* — Tech Valley Patent,
LLC; John Pietrangelo

(21) Appl. No.: **29/751,342**

(57) **CLAIM**

(22) Filed: **Sep. 21, 2020**

The ornamental design for a pool coping member, as shown
and described.

DESCRIPTION

Related U.S. Application Data

(60) Continuation of application No. 16/722,909, filed on
Dec. 20, 2019, now Pat. No. 10,787,830, which is a
continuation of application No. 16/188,676, filed on
Nov. 13, 2018, now Pat. No. 10,513,863, which is a
continuation of application No. 16/011,896, filed on
Jun. 19, 2018, now Pat. No. 10,161,152, which is a
division of application No. 15/355,545, filed on Nov.
18, 2016, now Pat. No. 10,006,215.

This application is related to U.S. patent application Ser. No.
17/025,469, filed on Sep. 18, 2020; U.S. Design patent
applicatin Ser. No. 29/650,199, filed on Jun. 5, 2018, now
U.S. Pat. No. Des. 872,885; and U.S. Design patent appli-
cation Ser. No. 29/650,203, filed on Jun. 5, 2018, now U.S.
Pat. No. Des. 872,886, the disclosure of which are included
by reference herein in their entirety.

(51) **LOC (13) Cl.** **25-01**

(52) **U.S. Cl.**
USPC **D25/119**

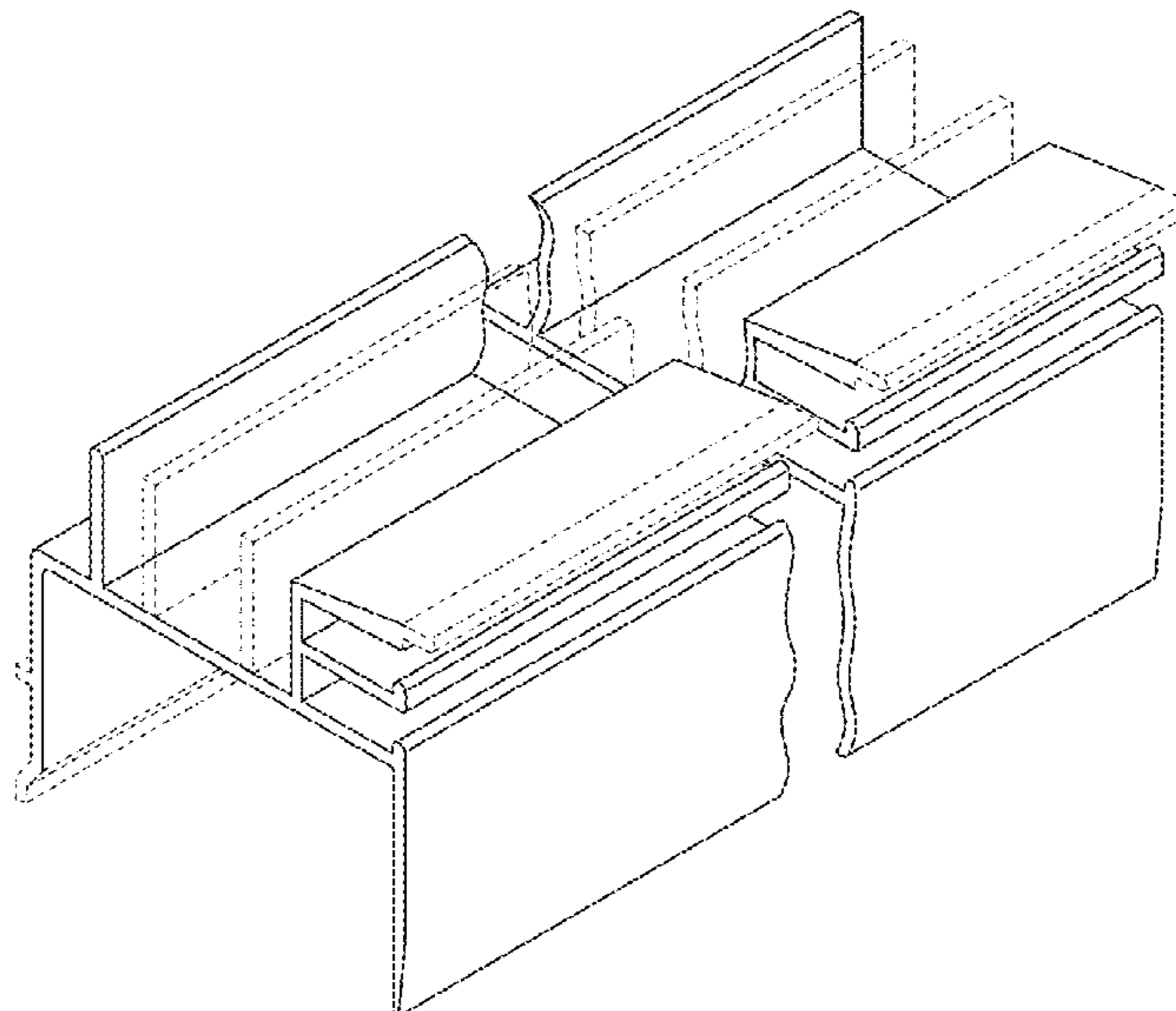
(58) **Field of Classification Search**
USPC D25/119–125; 52/287.1, 312, 478, 542,
52/656.9, 716.8, 718.01, 716.2; 4/502,
4/506

FIG. 1 is a perspective view of a pool coping member
showing our new design;
FIG. 2 is a top plan view thereof;
FIG. 3 is a left-side elevation view thereof;
FIG. 4 is a right-side elevation view thereof; and,
FIG. 5 is a front elevation view thereof, the rear elevation
view being a mirror image thereof.

CPC E04H 4/141; E04H 4/14; E04H 4/142
See application file for complete search history.

The broken lines in the drawings illustrate portions of the
pool coping member that form no part of the claimed design.
The pool coping member is shown with a symbolic break in
its length. The appearance of any portion of the pool coping
member between the break lines forms no part of the
claimed design.

1 Claim, 3 Drawing Sheets



(56)

References Cited

U.S. PATENT DOCUMENTS

3,427,663 A * 2/1969 O'Connell E04H 4/142
52/716.2

3,477,190 A 11/1969 Wood

3,512,326 A * 5/1970 Greene E04D 3/405
52/716.2

3,777,318 A 12/1973 Stillman

3,835,481 A 9/1974 Engelhart et al.

3,839,748 A 10/1974 Stillman, Jr.

4,003,180 A 1/1977 Messuri

4,229,844 A * 10/1980 Cribben E04H 4/142
4/506

D258,537 S * 3/1981 Cribben D25/125

4,457,119 A 7/1984 Dahowski

4,603,521 A * 8/1986 Engelhart E04H 4/142
4/506

4,901,492 A 2/1990 Coates

5,170,517 A 12/1992 Stegmeier

D342,322 S * 12/1993 Dallaire D25/119

5,680,730 A 10/1997 Epple

6,393,632 B1 * 5/2002 Epple E04H 4/101
4/502

6,725,469 B2 4/2004 Coates

7,861,471 B2 1/2011 Smith

10,006,215 B1 * 6/2018 Deeb E04H 4/141

2003/0084619 A1 5/2003 Smith

2005/0091738 A1 5/2005 Smith

2008/0104745 A1 5/2008 Beudoin et al.

2010/0251474 A1 10/2010 Hempleman-Adams

OTHER PUBLICATIONS

“New Premium Coping Installation” Brochure, Radiant Pools, 2pp. 2015.

Office Action issued for parent utility U.S. Appl. No. 15/355,545, dated Jul. 28, 2017, 8 pp.

Office Action issued for parent utility U.S. Appl. No. 15/355,545, dated Feb. 23, 2018, 16 pp.

Office Action, Restriction, issued for parent utility U.S. Appl. No. 15/355,545, dated May 22, 2017, 6 pp.

Office Action, Restriction, issued for parent utility U.S. Appl. No. 16/011,896, dated Sep. 5, 2018, 5 pp.

Office Action issued for parent utility U.S. Appl. No. 16/188,676, dated Mar. 21, 2019, 23 pp.

Office Action issued for parent utility U.S. Appl. No. 16/188,676, dated Jul. 11, 2019, 15 pp.

Office Action issued for parent utility U.S. Appl. No. 16/722,909, dated Feb. 6, 2020, 12 pp.

Office Action issued for parent utility U.S. Appl. No. 16/722,909, dated Apr. 28, 2020, 26 pp.

* cited by examiner

FIG. 1

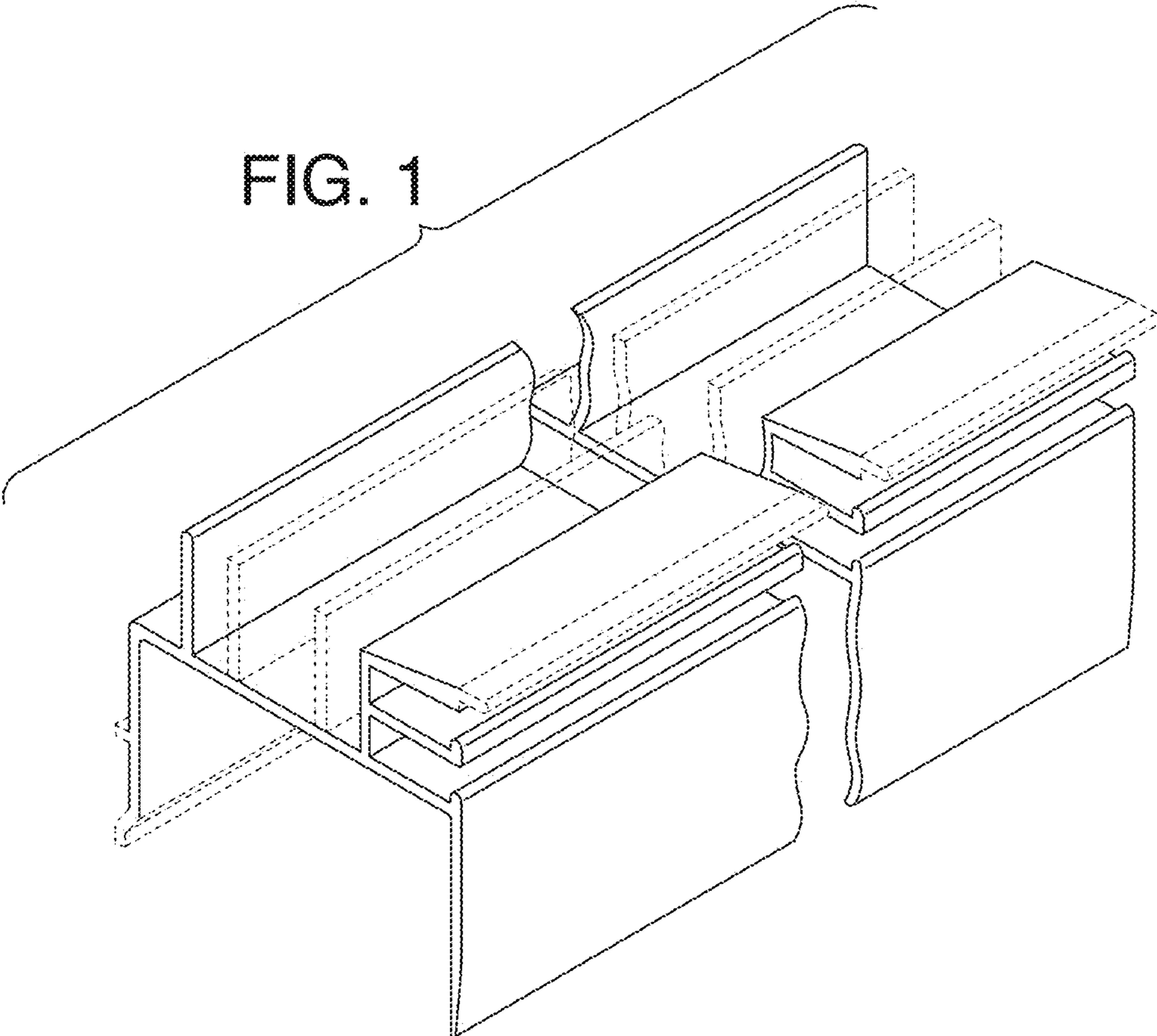


FIG. 2

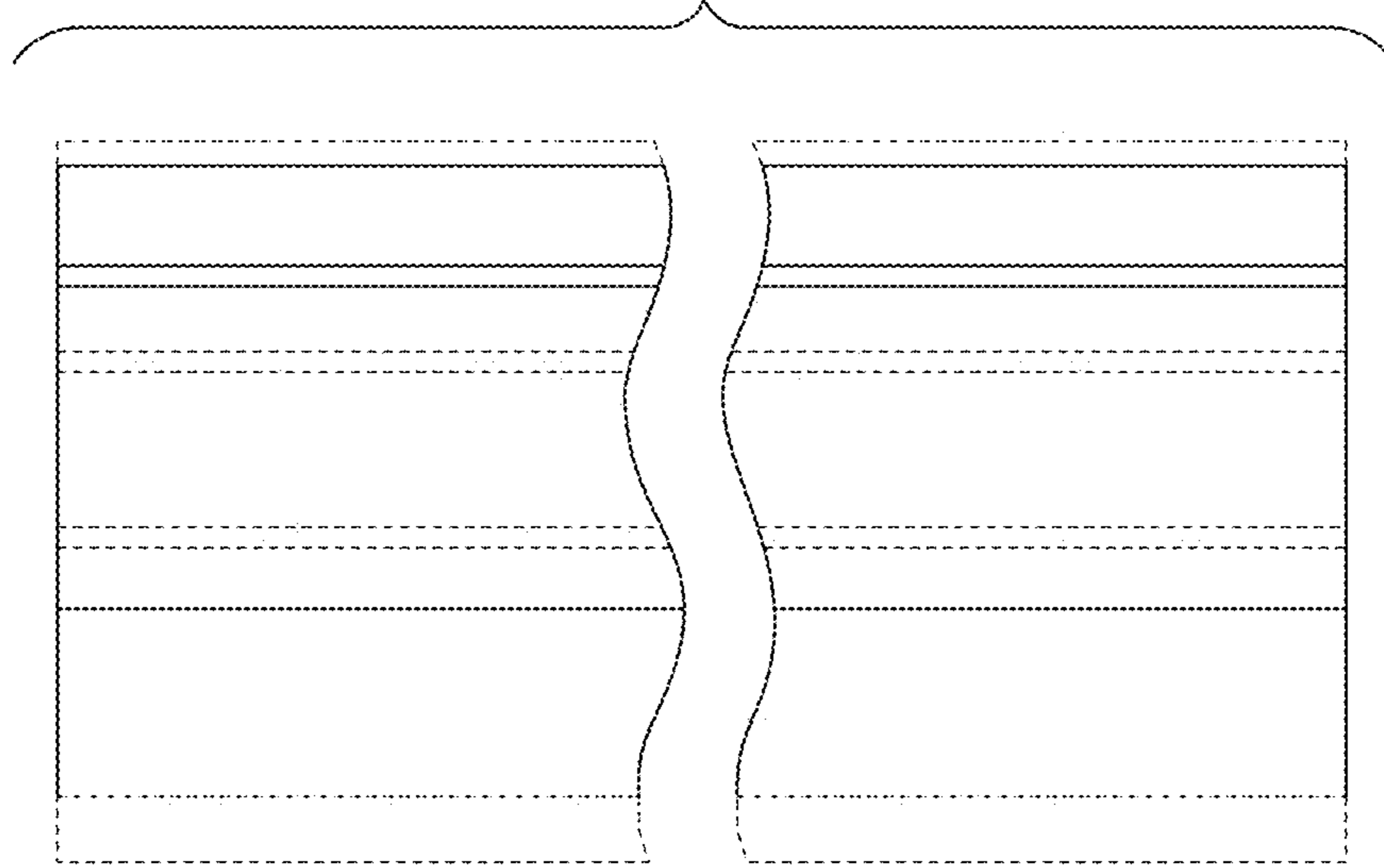


FIG. 3

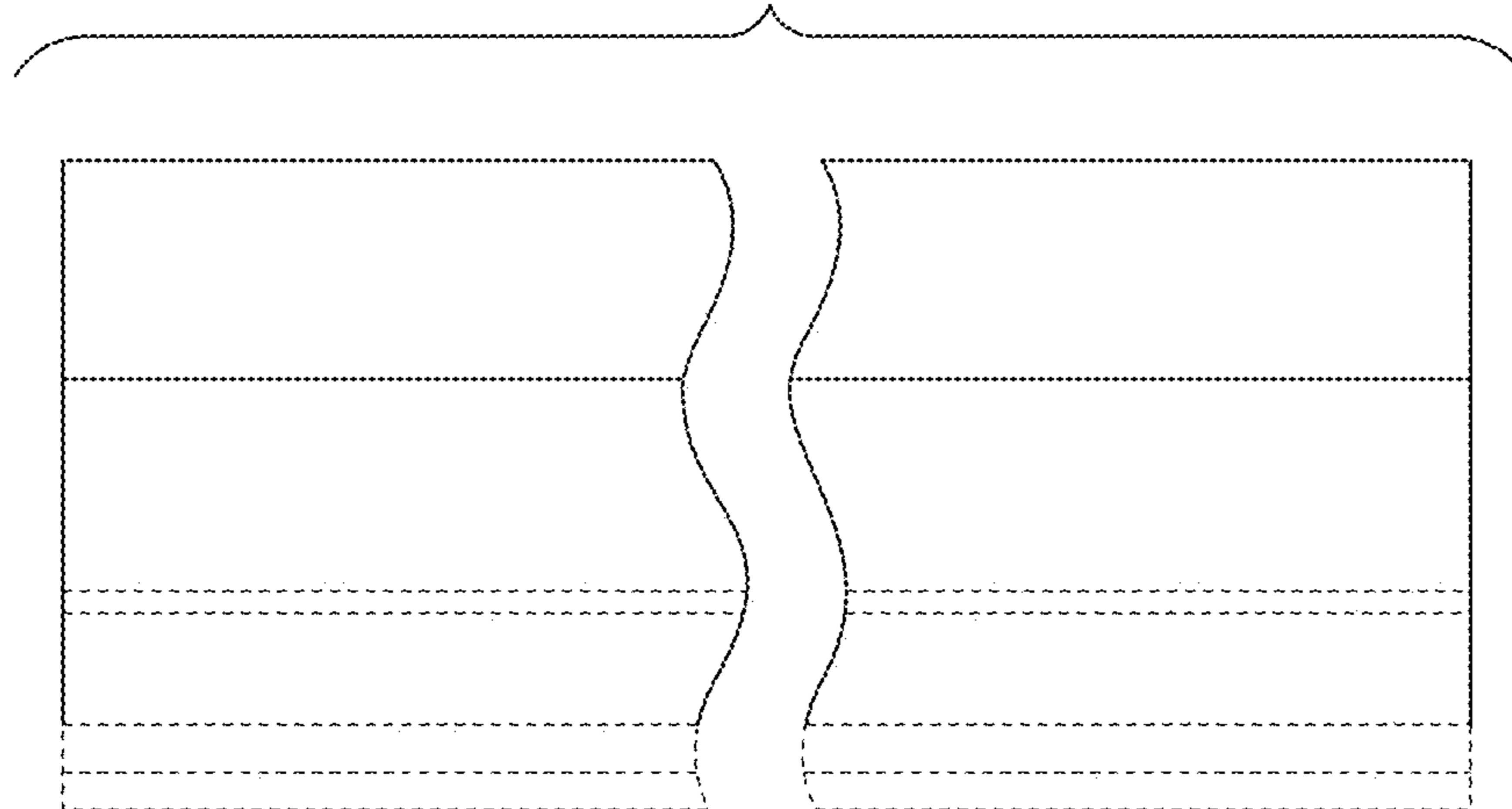


FIG. 4

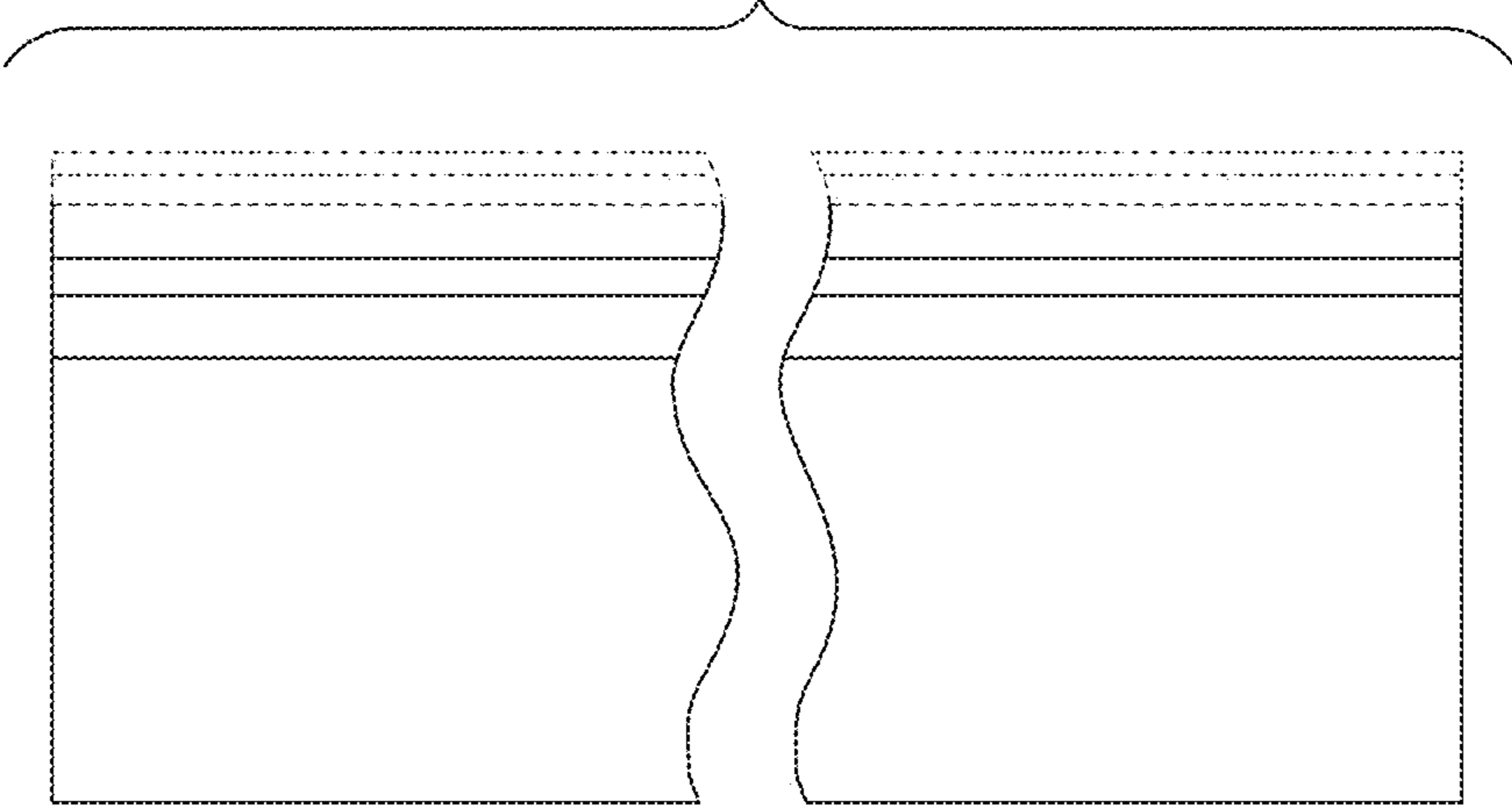


FIG. 5

