



US00D943771S

(12) **United States Design Patent**  
**Burke**

(10) **Patent No.:** **US D943,771 S**  
(45) **Date of Patent:** **\*\* Feb. 15, 2022**

- (54) **SKYLIGHT GUARD**
- (71) Applicant: **HIPPO INC. LLC**, Colorado Springs, CO (US)
- (72) Inventor: **David Shane Burke**, Colorado Springs, CO (US)
- (73) Assignee: **HIPPO INC. LLC**, Colorado Springs, CO (US)
- (\*\*) Term: **15 Years**
- (21) Appl. No.: **29/757,576**
- (22) Filed: **Nov. 6, 2020**

- 6,009,929 A \* 1/2000 Linderman ..... E04D 13/033  
160/104
- D518,577 S \* 4/2006 Bunting ..... D25/48.8
- D634,413 S \* 3/2011 Wallace ..... D23/354
- 8,782,973 B1 \* 7/2014 Everingham ..... E04D 13/0335  
52/200
- 8,911,286 B1 \* 12/2014 Savigny ..... F24F 7/00  
454/248

(Continued)

**FOREIGN PATENT DOCUMENTS**

- CN 303678331 \* 5/2016
- JP D1206343 \* 5/2004
- KR 300636426.0001 \* 3/2012

*Primary Examiner* — Leanne Was-Englehart

(74) *Attorney, Agent, or Firm* — Martensen IP; Michael C. Martensen

**Related U.S. Application Data**

- (62) Division of application No. 29/696,297, filed on Jun. 26, 2019, now Pat. No. Des. 907,809.
- (51) **LOC (13) Cl.** ..... **25-02**
- (52) **U.S. Cl.**  
USPC ..... **D25/48.8**
- (58) **Field of Classification Search**  
USPC ..... D25/47.1, 48.1, 48.7, 48.8  
CPC ..... E04D 13/0335; E04D 3/32; F24F 13/08  
See application file for complete search history.

(57) **CLAIM**

The ornamental design for a skylight guard, as shown and described.

**DESCRIPTION**

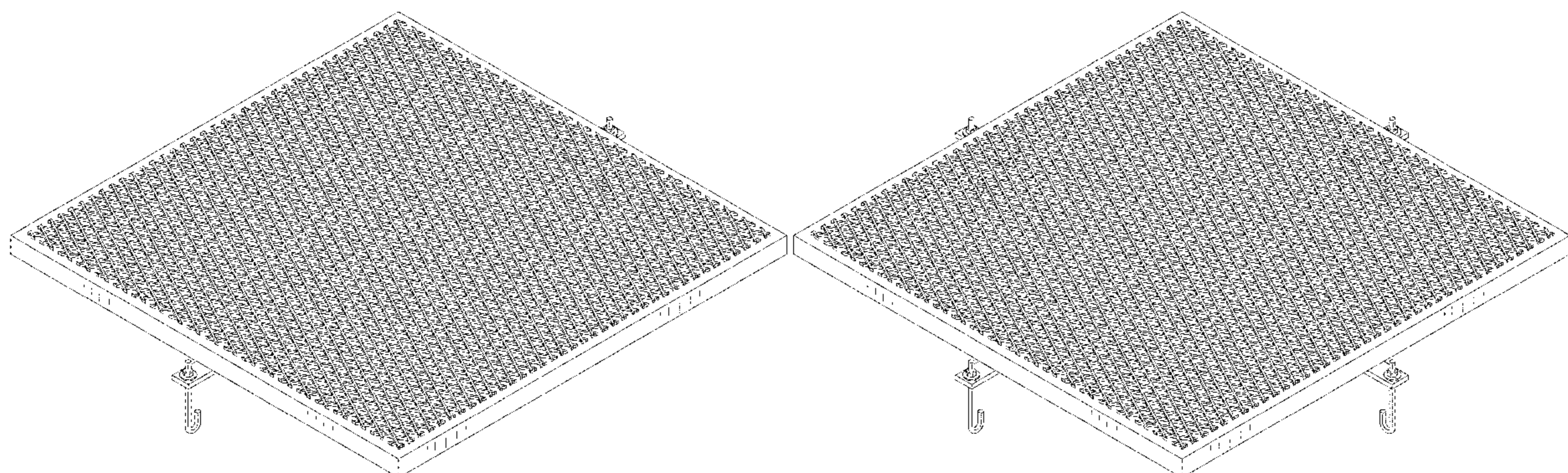
FIG. 1 is a front, top perspective drawing of one embodiment of a skylight guard showing our new design;  
 FIG. 2 is a front view thereof;  
 FIG. 3 is a back view thereof;  
 FIG. 4 is a right side view thereof;  
 FIG. 5 is a left side view thereof;  
 FIG. 6 is a top view thereof;  
 FIG. 7 is a bottom view thereof;  
 FIG. 8 is a front, top perspective view of a second embodiment thereof  
 FIG. 9 is a front view thereof;  
 FIG. 10 is a back view thereof;  
 FIG. 11 is a right side view thereof;  
 FIG. 12 is a left side view thereof;  
 FIG. 13 is a top view thereof; and,  
 FIG. 14 is a bottom view thereof.

(56) **References Cited**

**U.S. PATENT DOCUMENTS**

- 1,112,401 A \* 9/1914 Allen ..... E04D 13/0335  
49/356
- 1,236,008 A \* 8/1917 Rysdon ..... E04D 13/0335  
52/200
- 1,742,613 A \* 1/1930 Moore ..... F24F 13/08  
454/331
- 5,179,992 A \* 1/1993 Okarski ..... E04D 13/033  
160/327
- 5,419,090 A \* 5/1995 Sandow ..... E04D 3/32  
52/200

**1 Claim, 10 Drawing Sheets**



(56)

**References Cited**

U.S. PATENT DOCUMENTS

D892,279 S \* 8/2020 Ealer, Sr. .... D23/267  
D907,809 S \* 1/2021 Burke ..... D25/48.8

\* cited by examiner

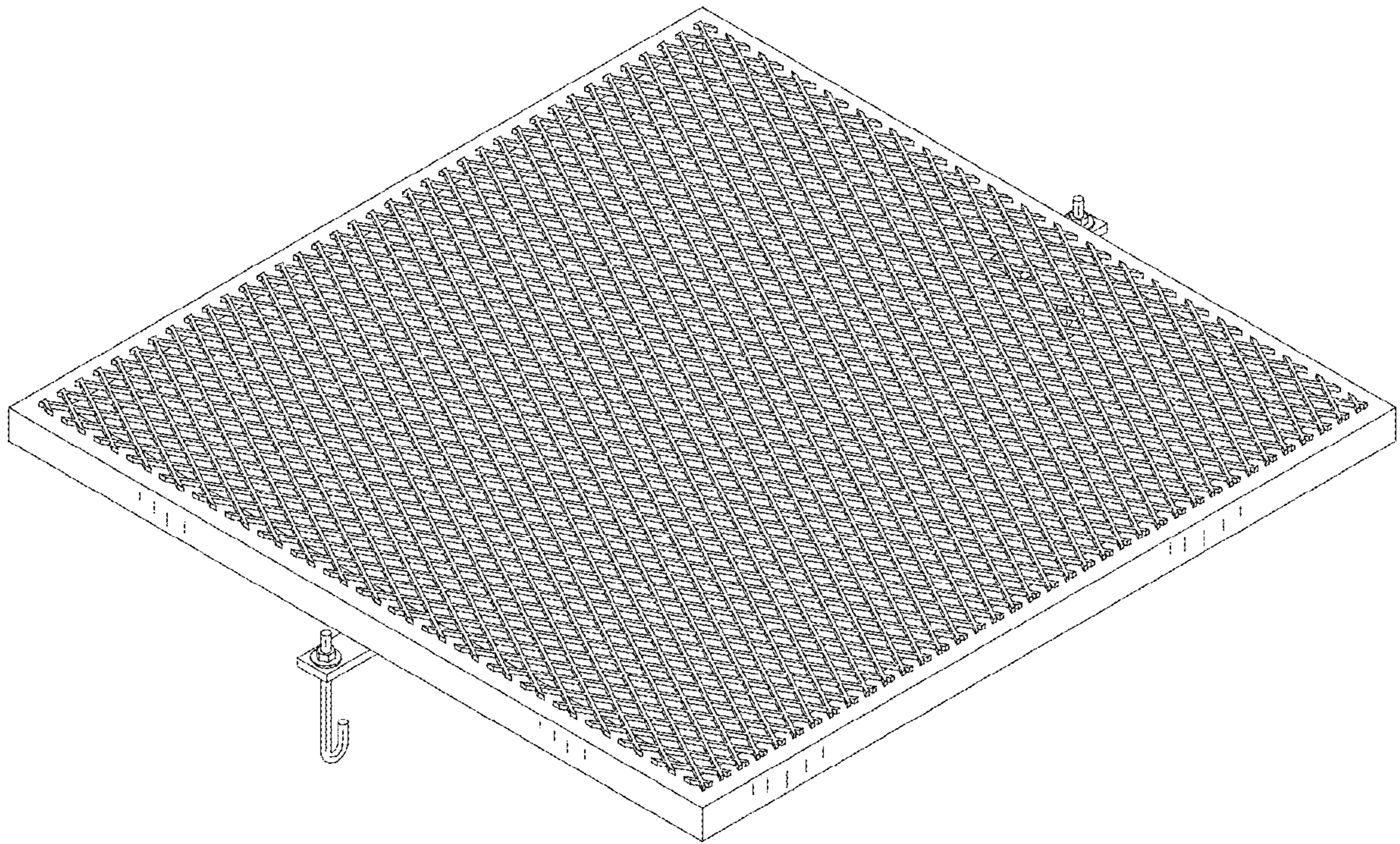


FIG.1

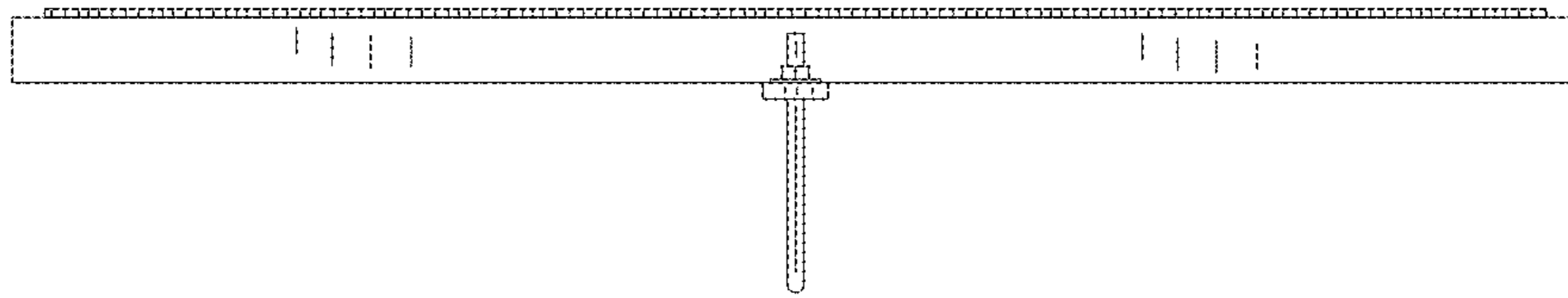


FIG. 2

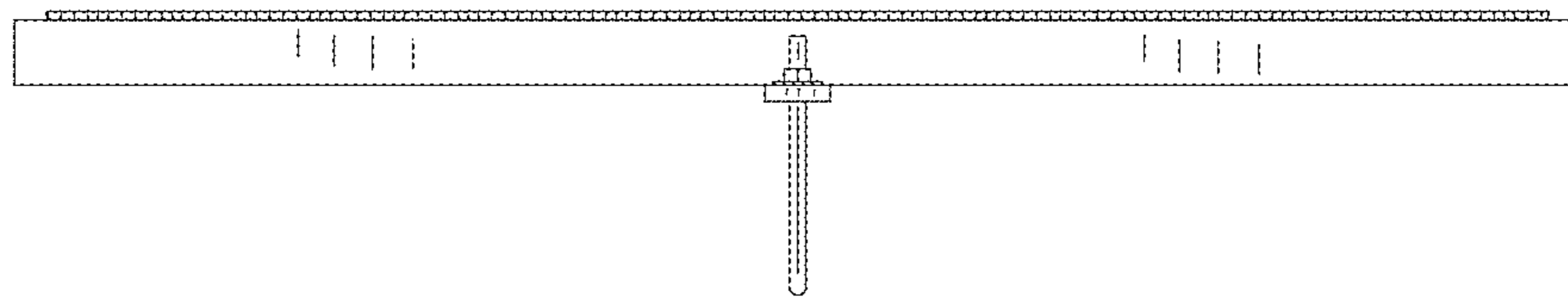


FIG. 3

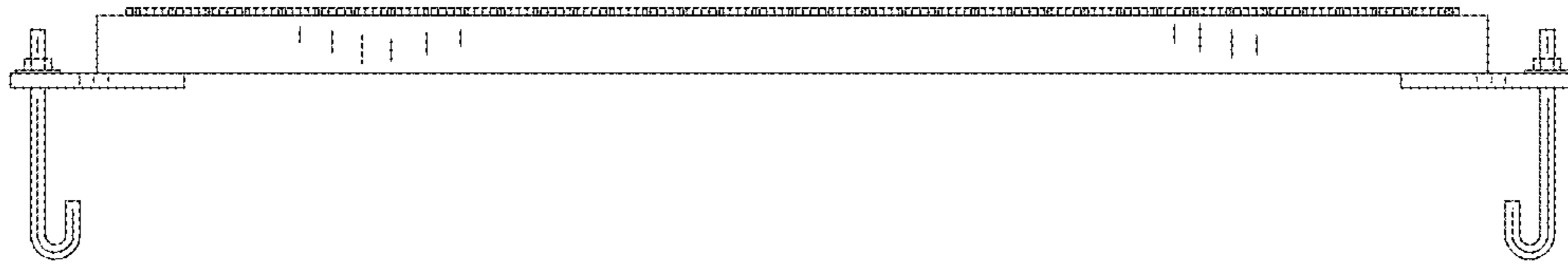


FIG.4

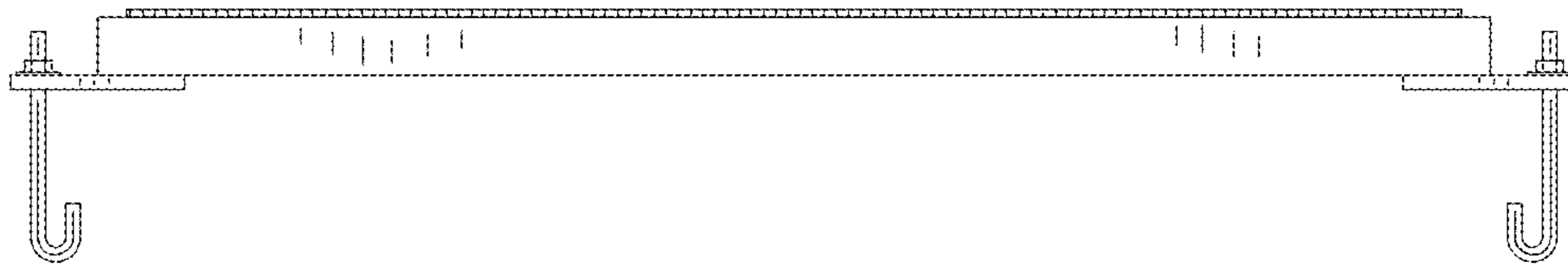


FIG.5

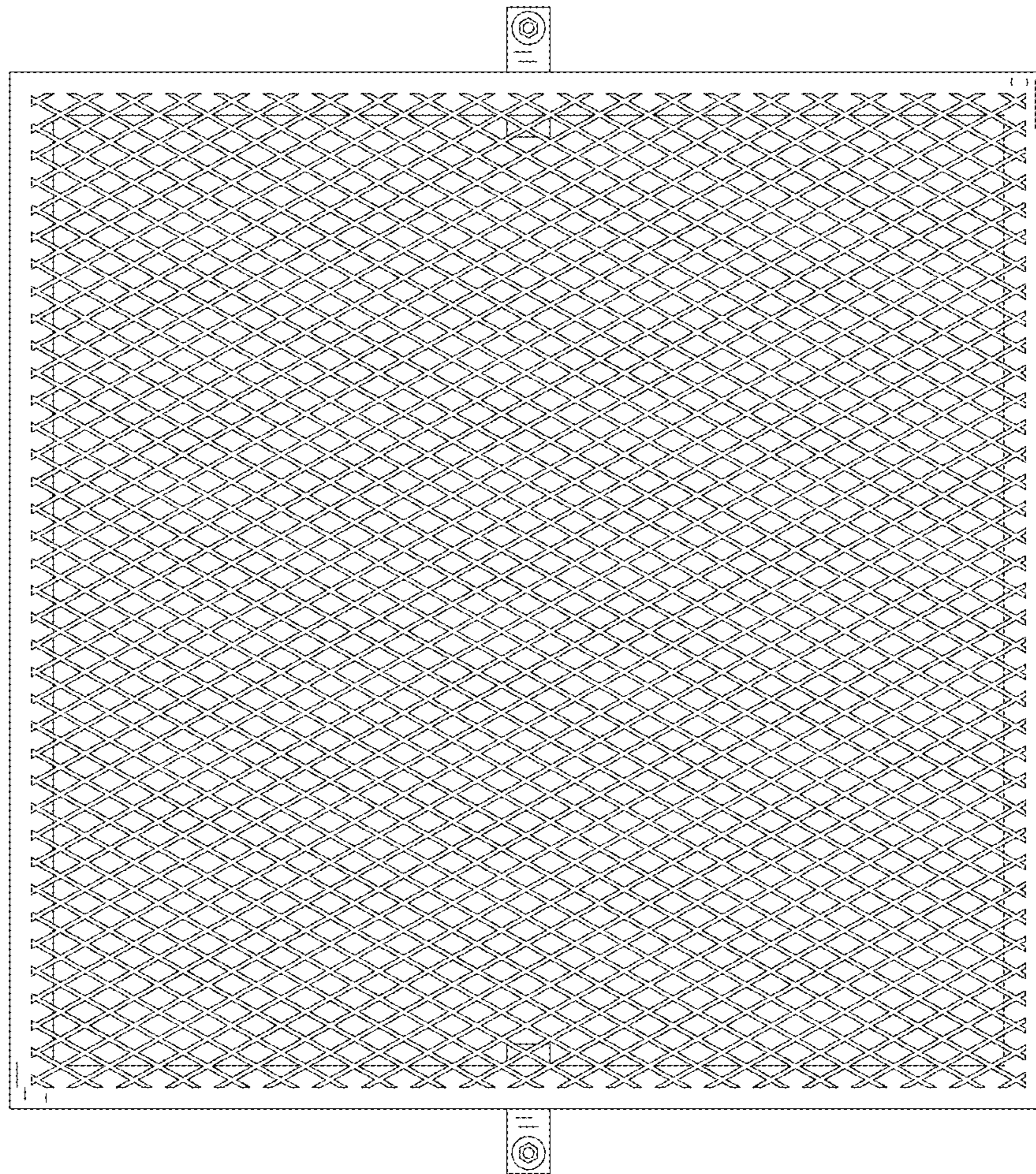


FIG.6

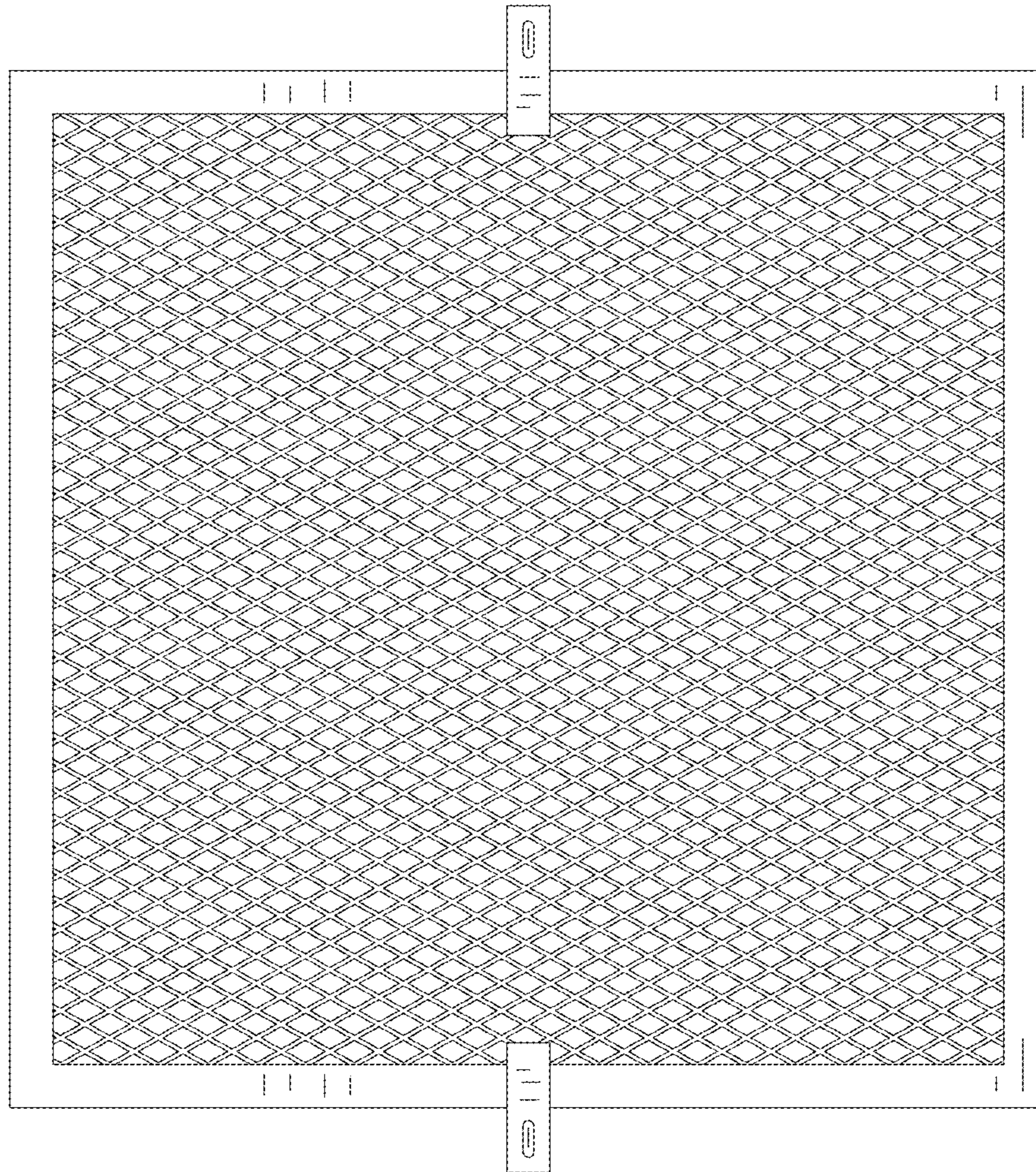


FIG.7

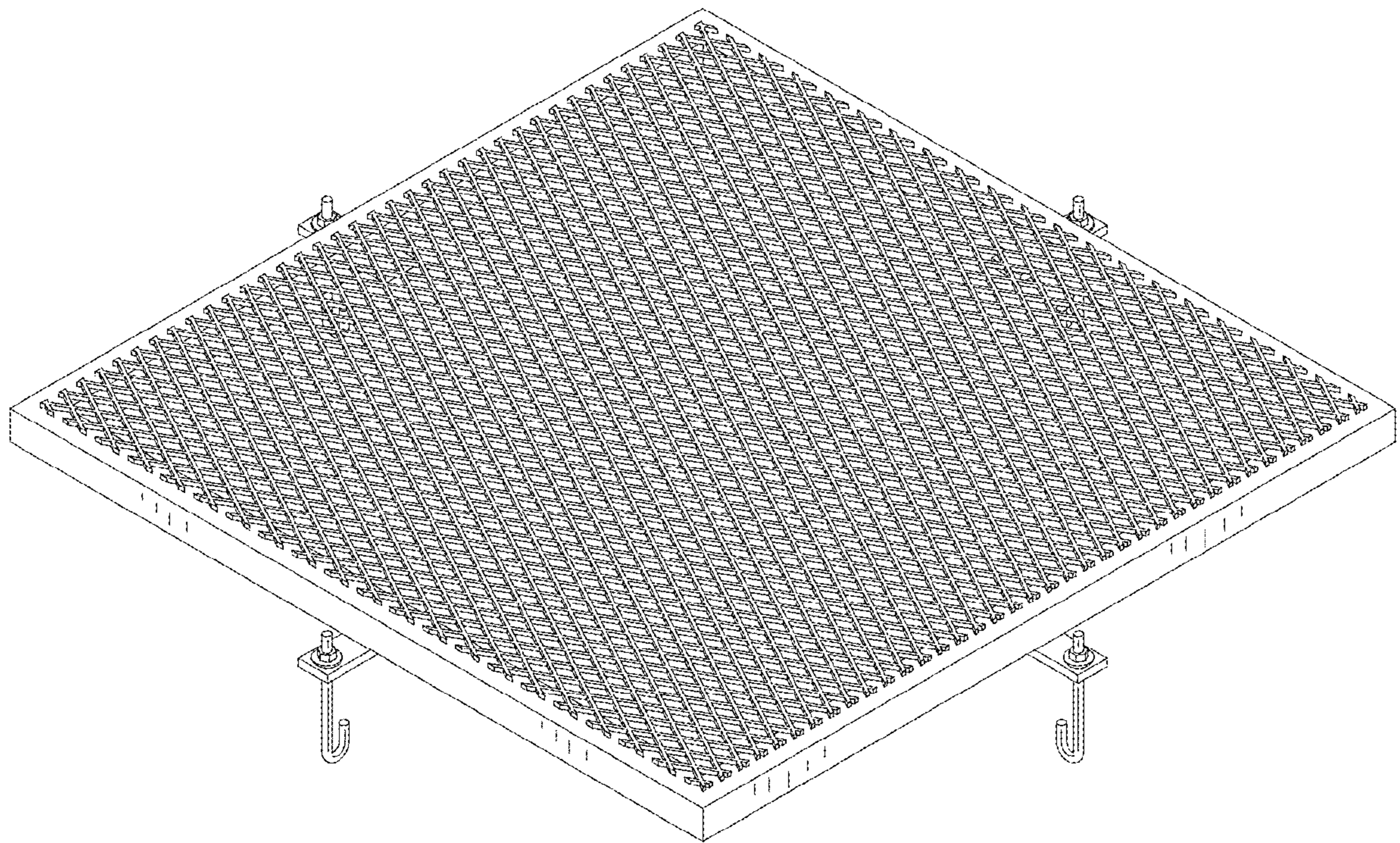


FIG.8



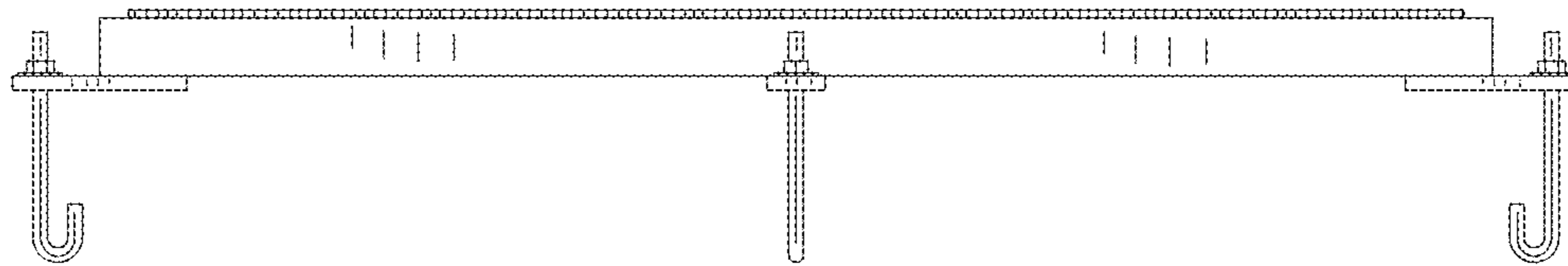


FIG.9

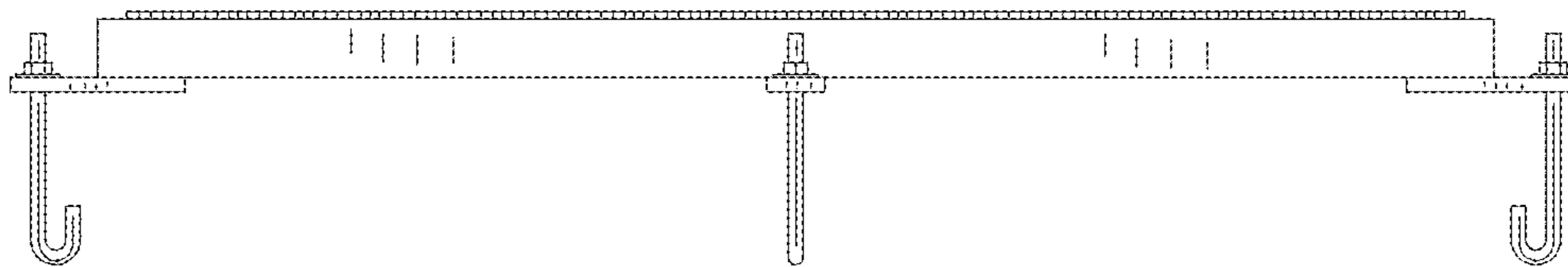


FIG.10

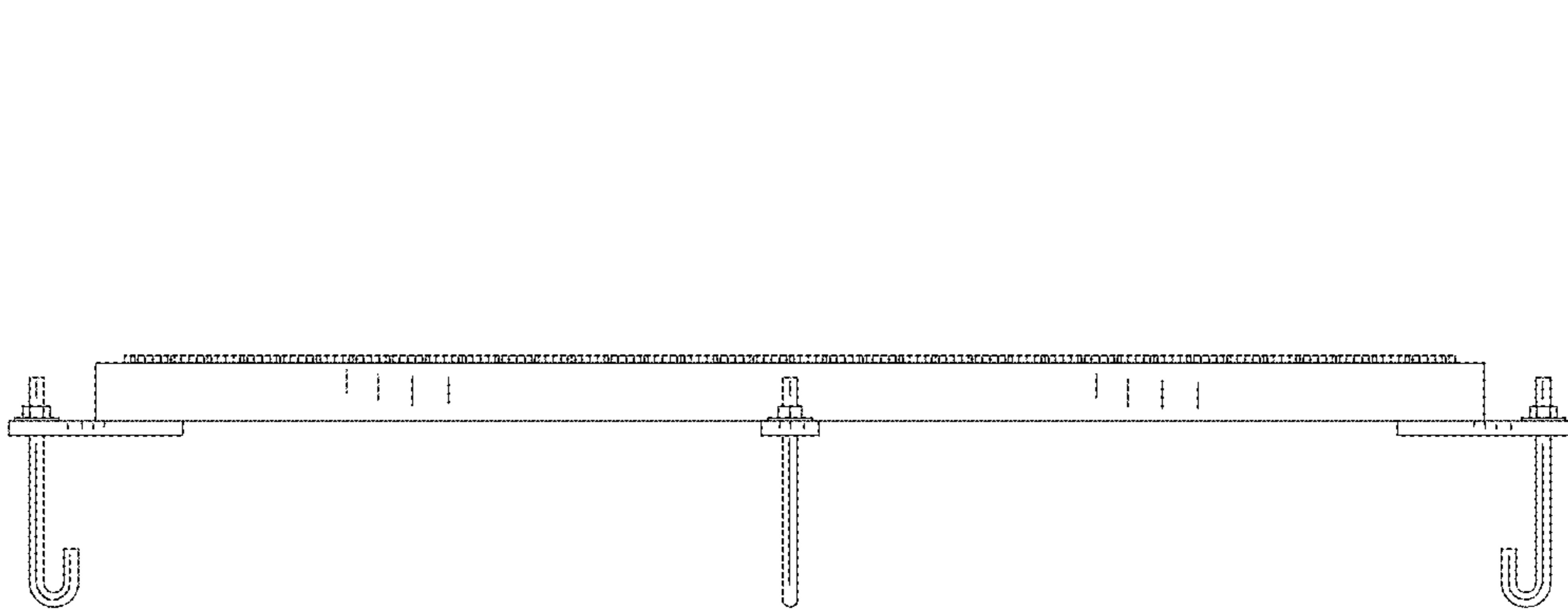


FIG.11

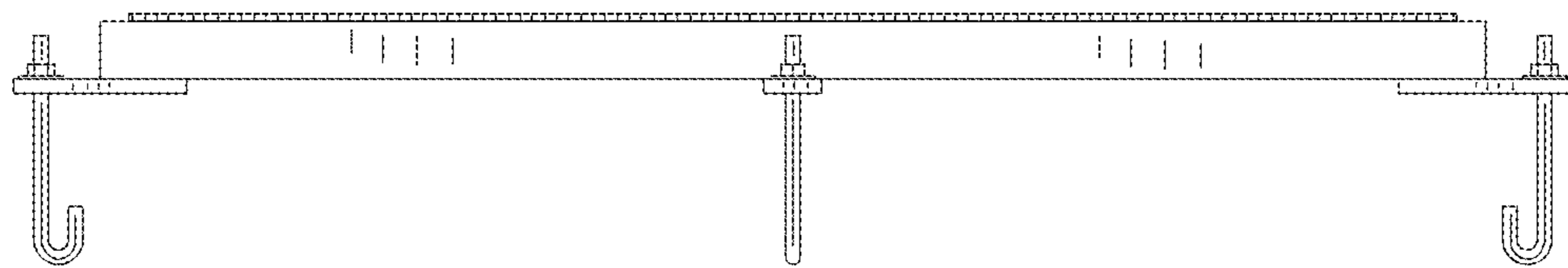


FIG.12

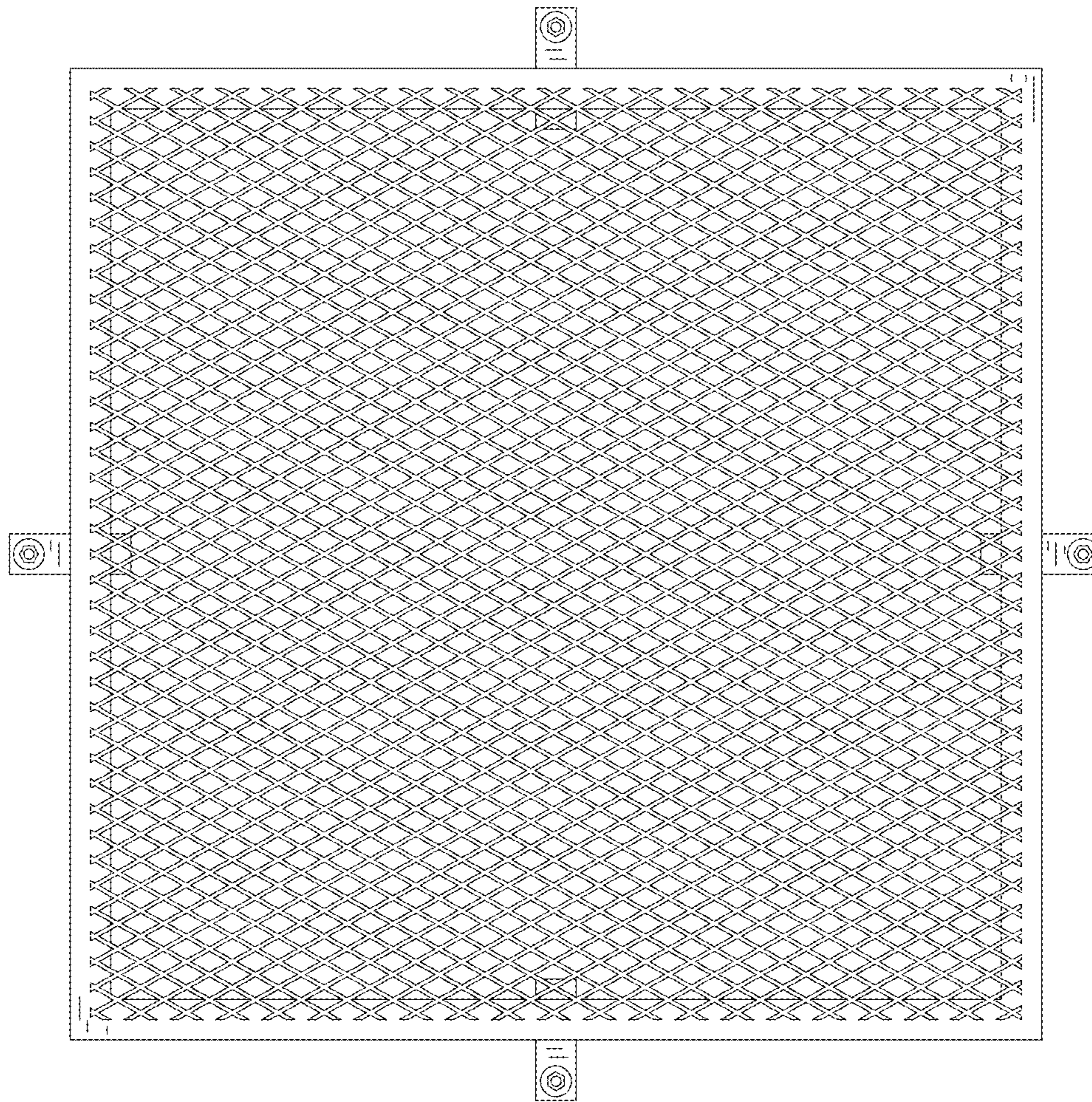


FIG. 13

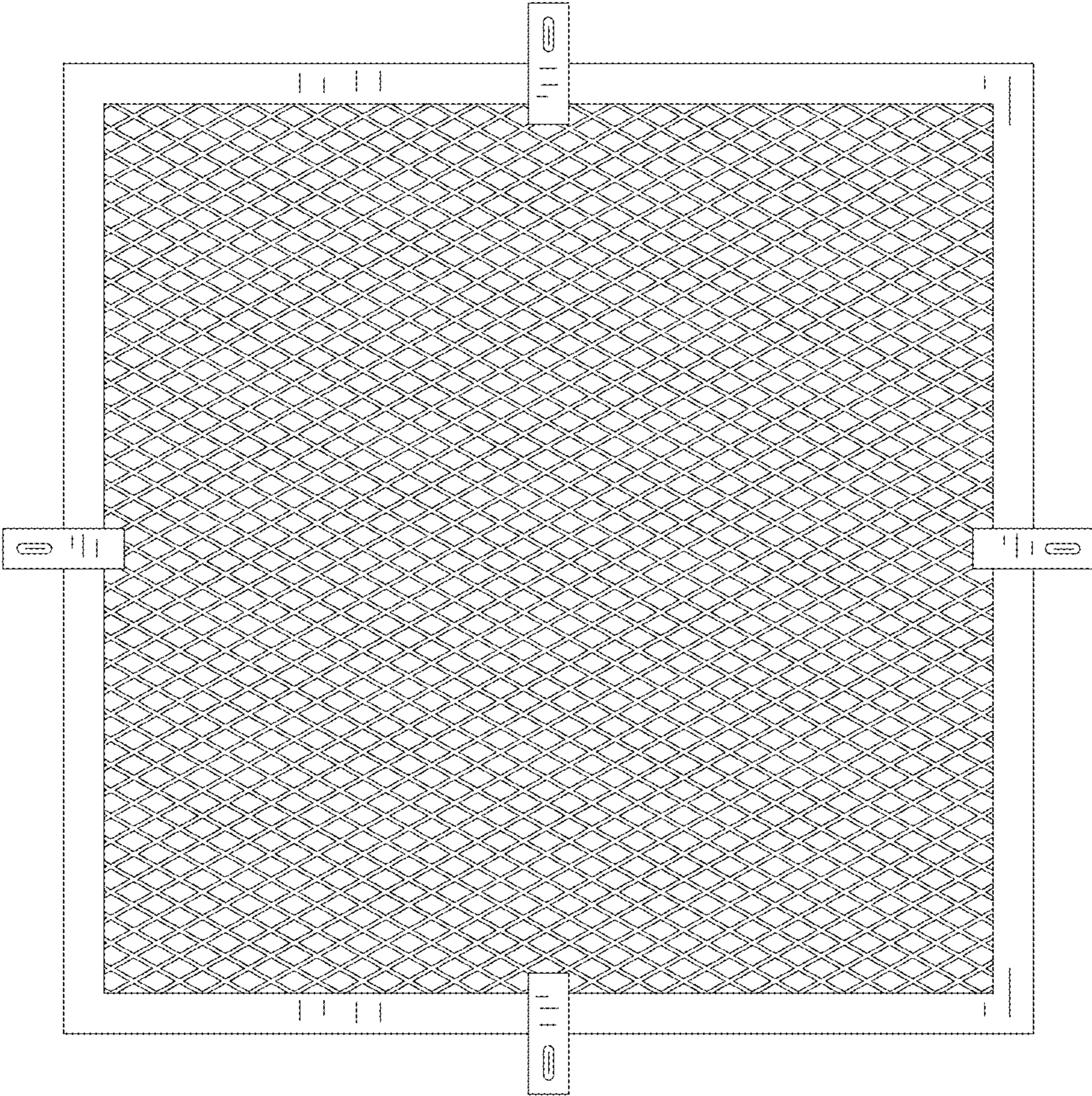


FIG.14