



US00D943769S

(12) **United States Design Patent** (10) **Patent No.:** **US D943,769 S**
Lalli et al. (45) **Date of Patent:** **** Feb. 15, 2022**

(54) **WINDOW GRILLE INSTALLATION BLOCK**

(71) Applicant: **Creative Millwork of Ohio, Inc.**,
Ashtabula, OH (US)

(72) Inventors: **Joseph J. Lalli**, Erie, PA (US); **James M. Hamilton**, Ashtabula, OH (US)

(73) Assignee: **CREATIVE MILLWORK OF OHIO, INC.**, Ashtabula, OH (US)

(**) Term: **15 Years**

(21) Appl. No.: **29/728,948**

(22) Filed: **Mar. 23, 2020**

(51) **LOC (13) Cl.** **25-02**

(52) **U.S. Cl.**
USPC **D25/48.8**; D10/65

(58) **Field of Classification Search**
USPC D8/15-29, 29.1, 30-32, 349, 354, 361,
D8/362, 382-386, 396-399; D10/61, 64,
D10/65, 71; D25/48.7, 48.8
CPC . A47B 96/06; F16B 2/10; F16B 45/00; F16B
2/005; A47G 25/483; F16M 11/16; E06B
3/685; B21B 1/38

See application file for complete search history.

(56) **References Cited**

U.S. PATENT DOCUMENTS

2,312,489 A * 3/1943 Schaefer B62D 33/04
52/222
4,055,930 A * 11/1977 Weinar E04B 9/064
52/718.01
4,060,950 A * 12/1977 Rackard E06B 3/685
52/456
D279,964 S * 8/1985 Weeks D10/62
D380,054 S * 6/1997 Littlejohn D25/61
D492,210 S * 6/2004 Shilo D10/64
D566,731 S * 4/2008 Myers D15/17
D646,542 S * 10/2011 Wackwitz D8/70
D665,242 S * 8/2012 Wackwitz D8/70

D769,108 S * 10/2016 Eberl D8/380
D793,580 S * 8/2017 Staton D25/60
D799,719 S * 10/2017 Staton D25/48.7
D890,616 S * 7/2020 Burns D10/65
D902,023 S * 11/2020 Briese D8/394
D922,024 S * 6/2021 Wang D34/35
D926,605 S * 8/2021 Duncan D10/64
2008/0155913 A1 * 7/2008 Magill E06B 3/667
52/204.61

FOREIGN PATENT DOCUMENTS

EM 001224117-0002 * 8/2010
WO D044134-002 * 8/1998

OTHER PUBLICATIONS

2019 SDL Application Blocks Flyer [https://www.creativemillwork.com/resource-library/download/29/SDL-Application-Blocks 082421](https://www.creativemillwork.com/resource-library/download/29/SDL-Application-Blocks%2082421)
(Year: 2019).*

* cited by examiner

Primary Examiner — Leanne Was-Englehart

(74) *Attorney, Agent, or Firm* — Rankin, Hill & Clark
LLP

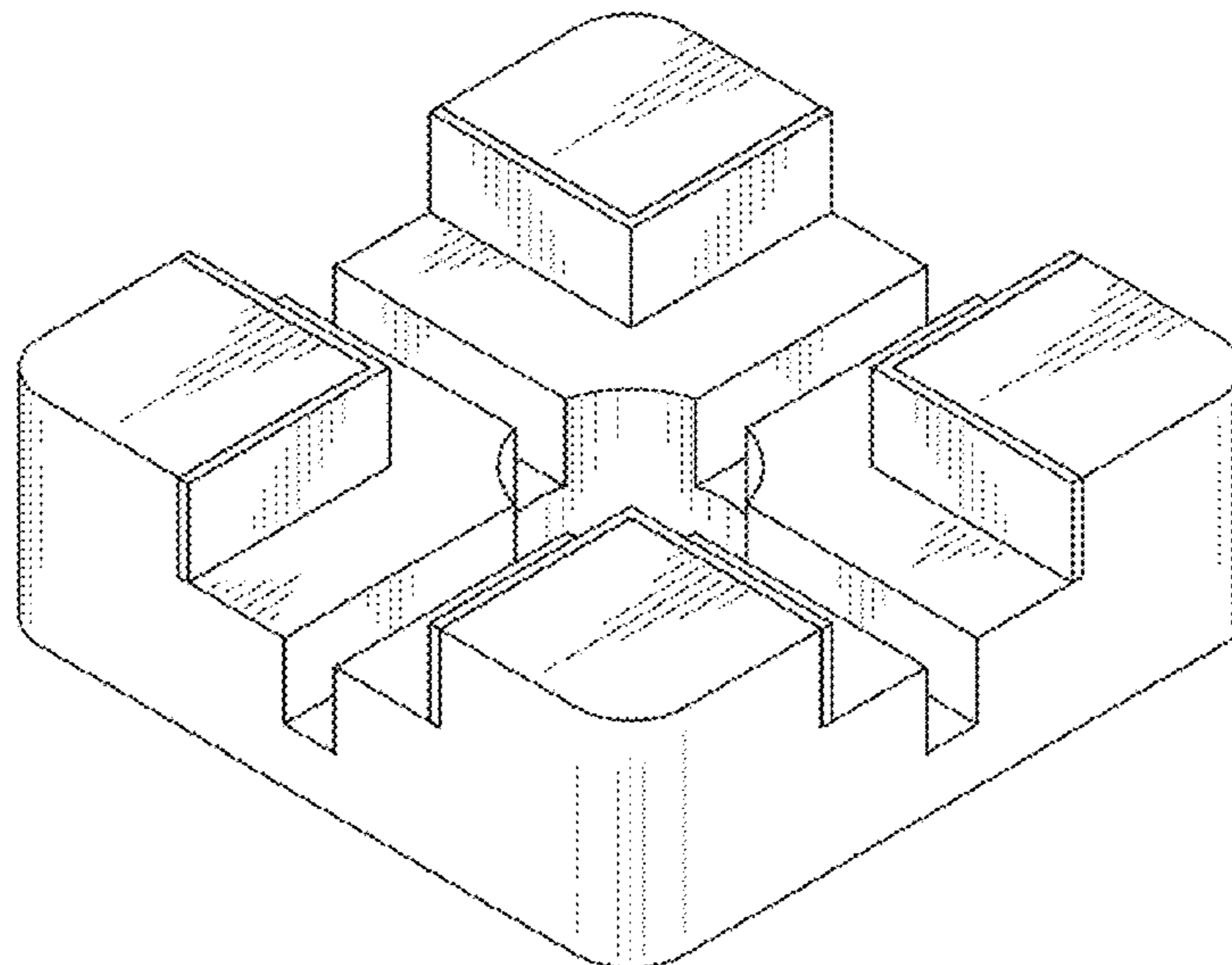
(57) **CLAIM**

The ornamental design for a window grille installation block, as shown and described.

DESCRIPTION

FIG. 1 is a top front isometric view of a window grille installation block;
FIG. 2 is a bottom rear isometric view thereof;
FIG. 3 is a front elevation view thereof;
FIG. 4 is a rear elevation view thereof;
FIG. 5 is a left elevation view thereof;
FIG. 6 is a right elevation thereof;
FIG. 7 is a top view thereof; and,
FIG. 8 is a bottom view thereof.

1 Claim, 6 Drawing Sheets



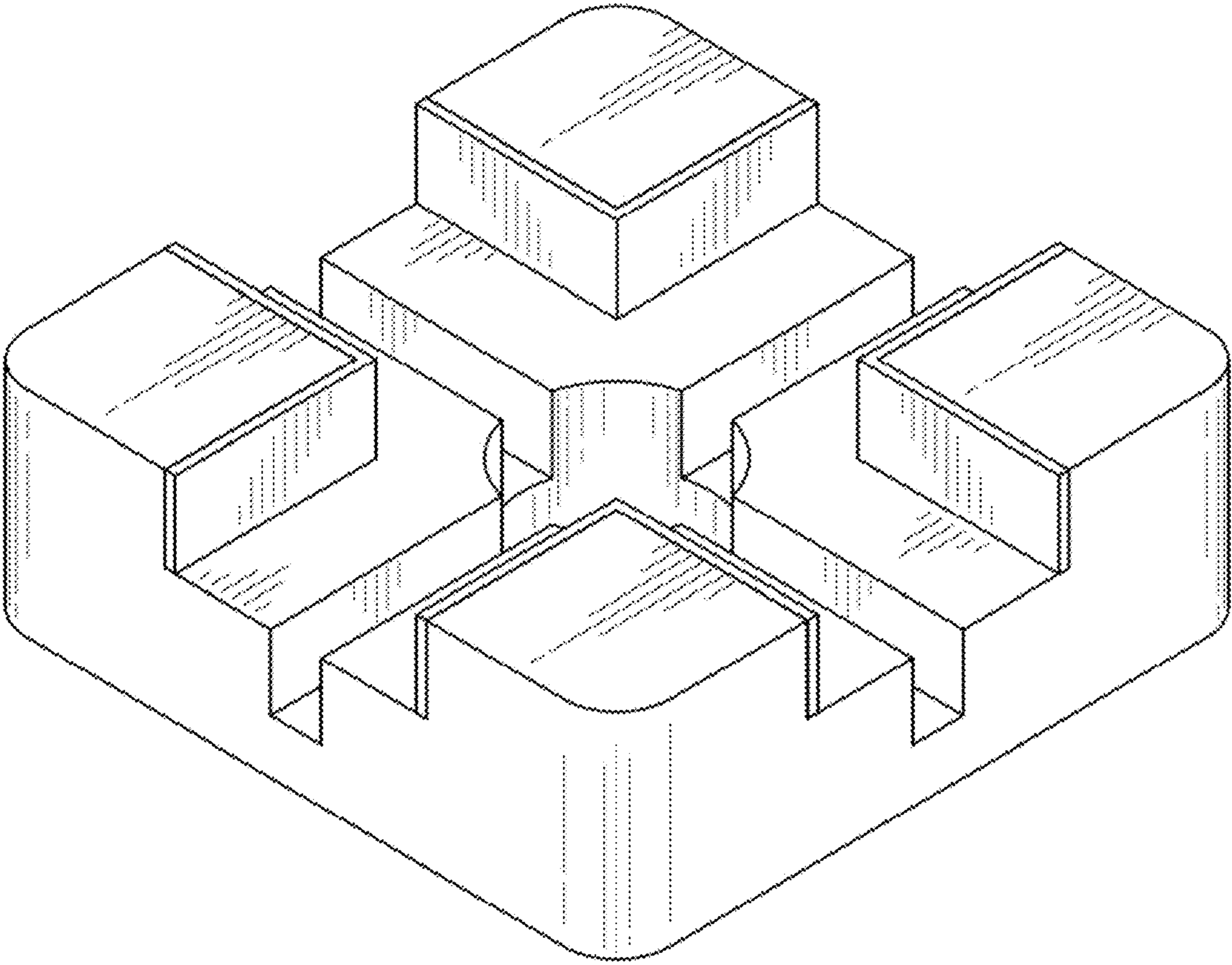


FIG. 1

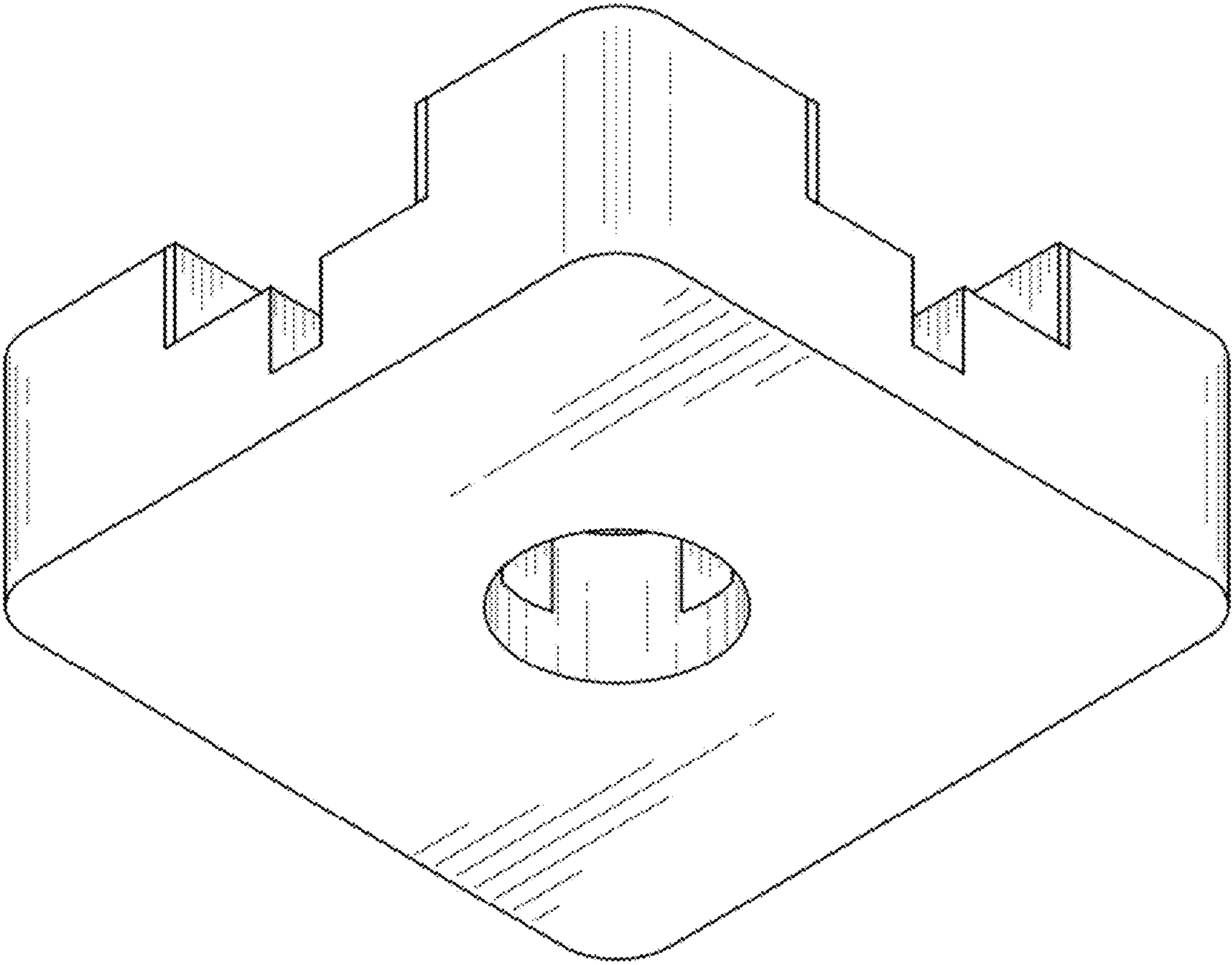


FIG. 2

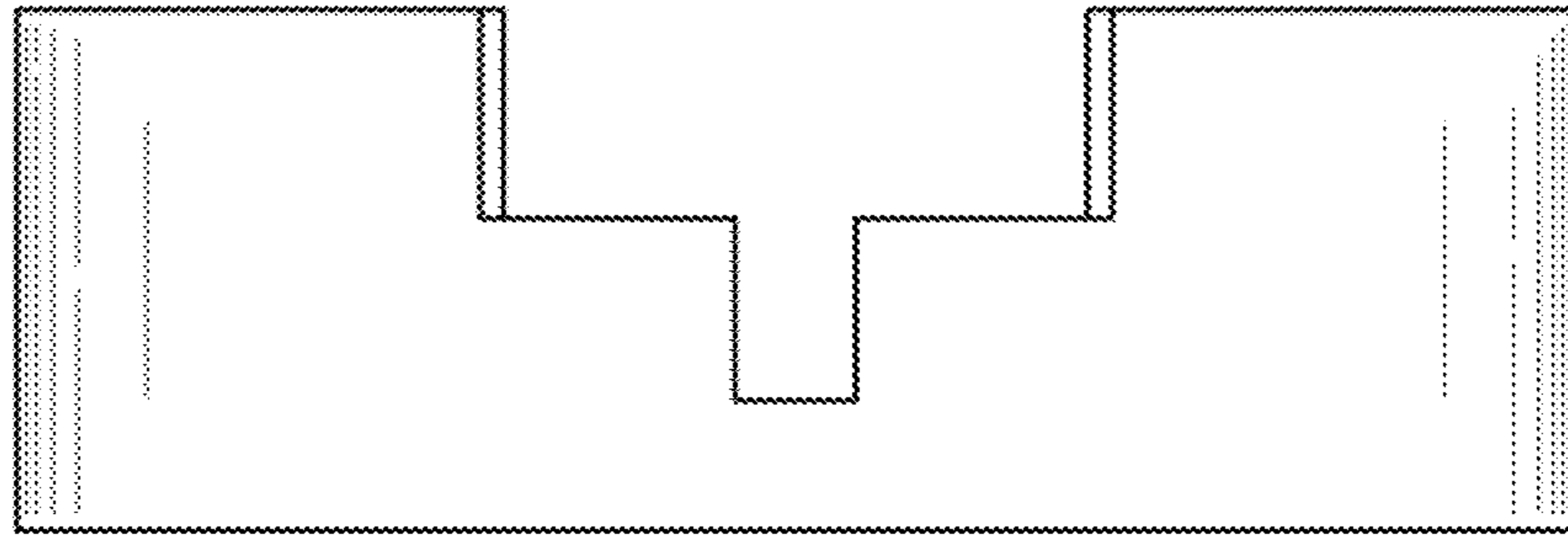


FIG. 3

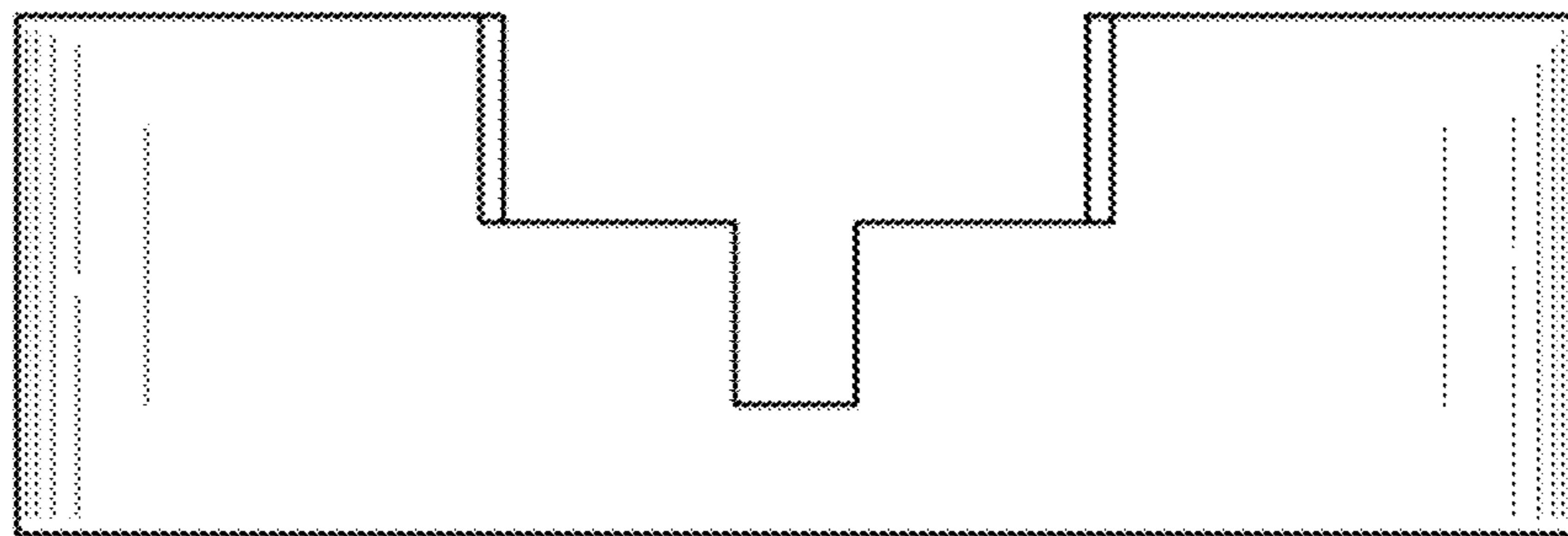


FIG. 4

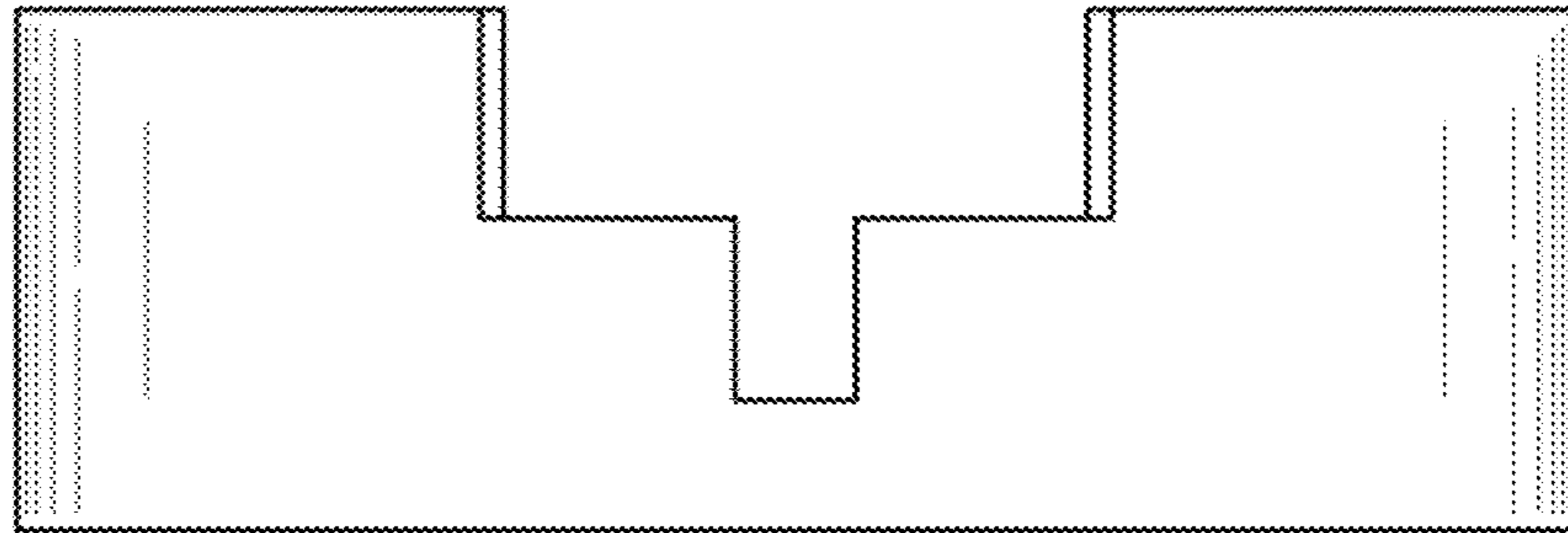


FIG. 5

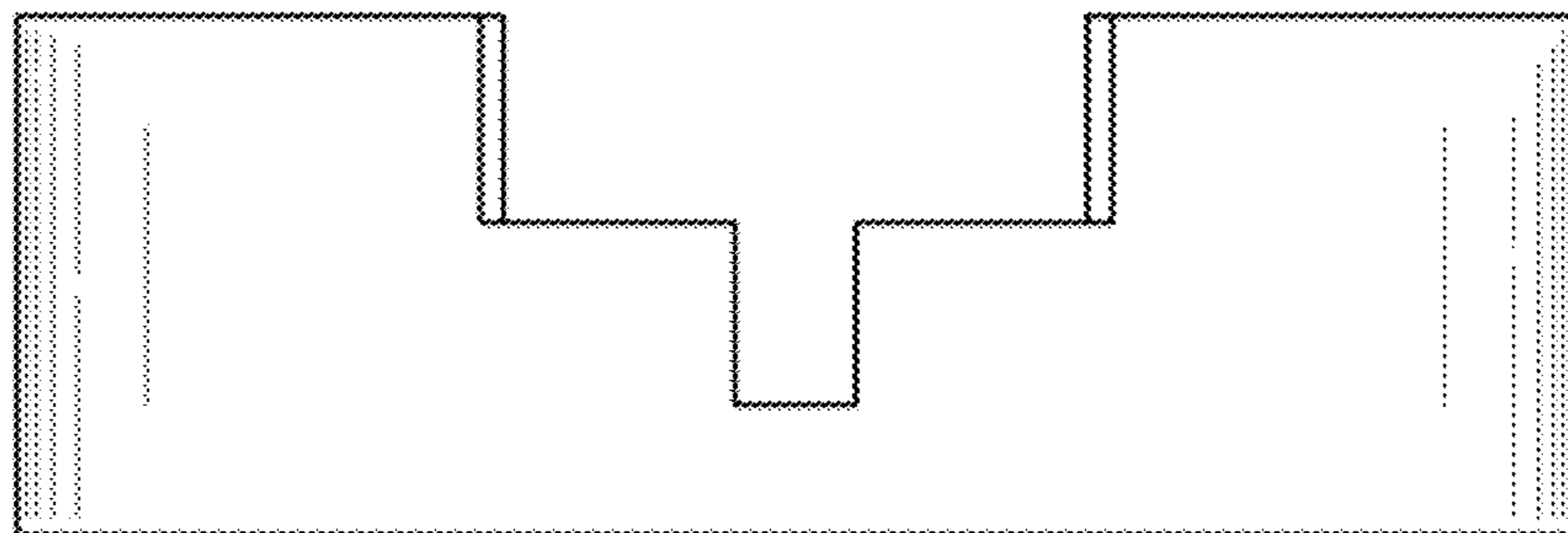


FIG. 6

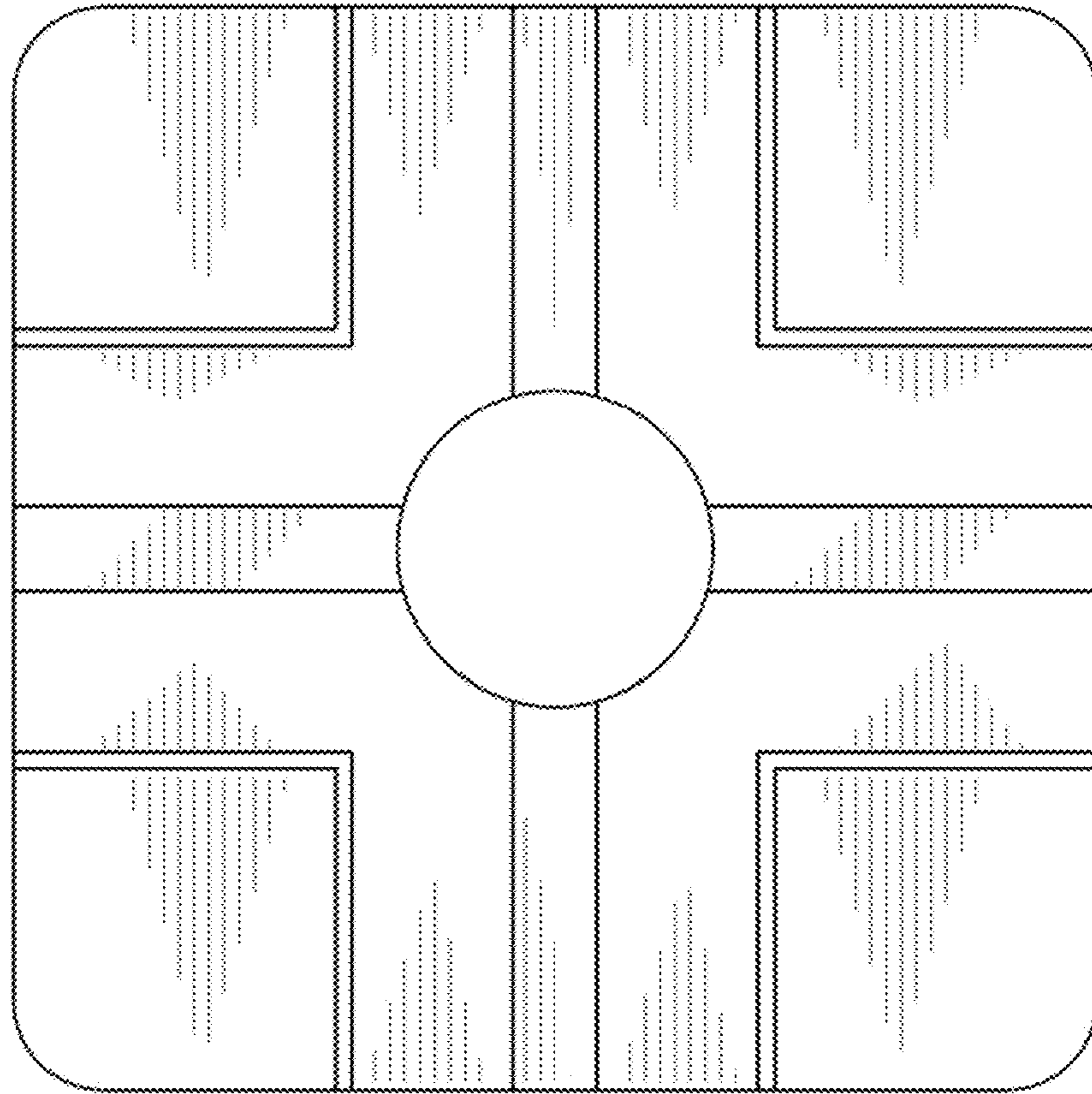


FIG. 7

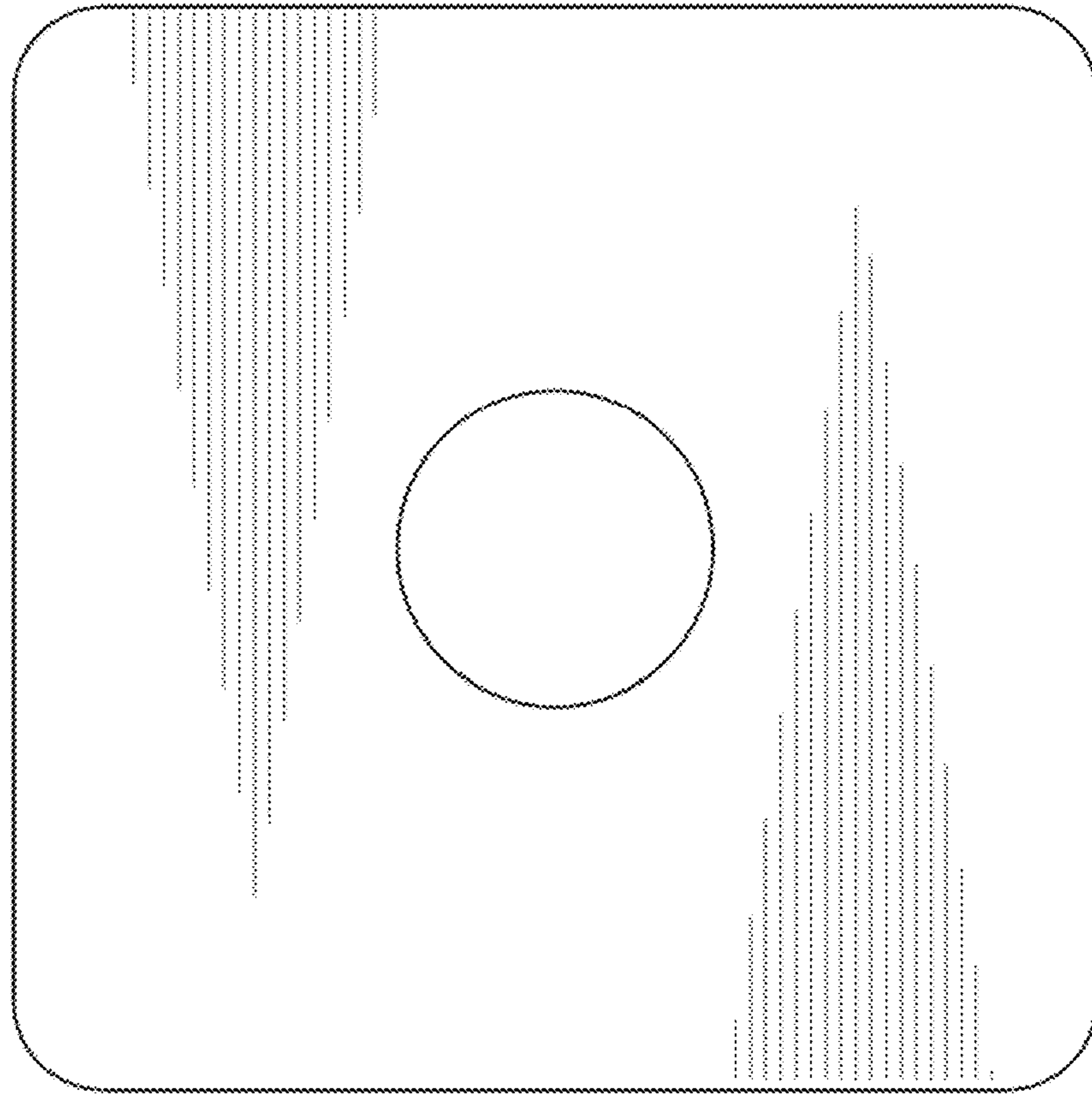


FIG. 8